

TRIPLEX CAT PUMP *Parts Manual*

 **WARNING**

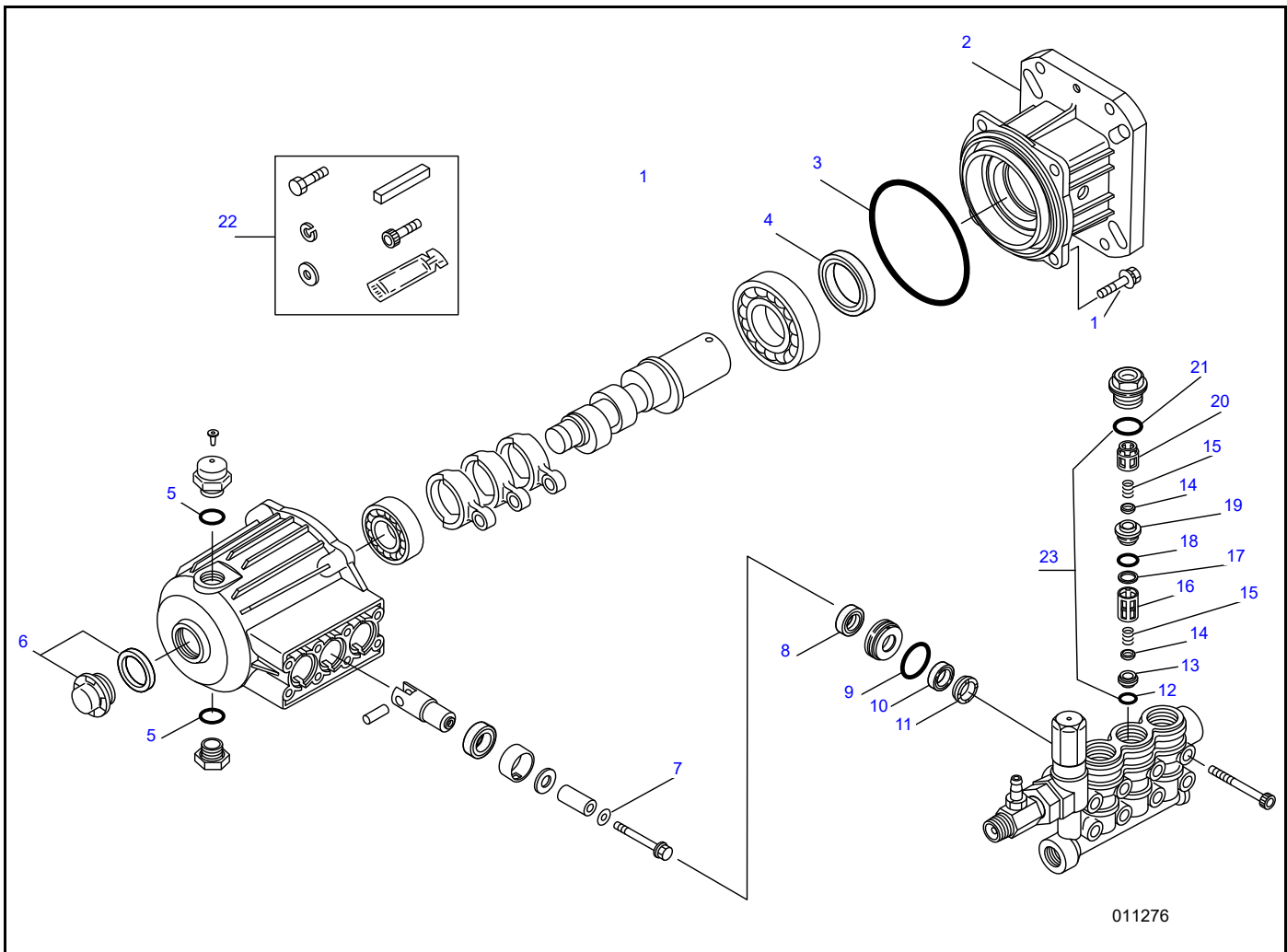
CANCER AND REPRODUCTIVE HARM

www.P65Warnings.ca.gov

(000393a)

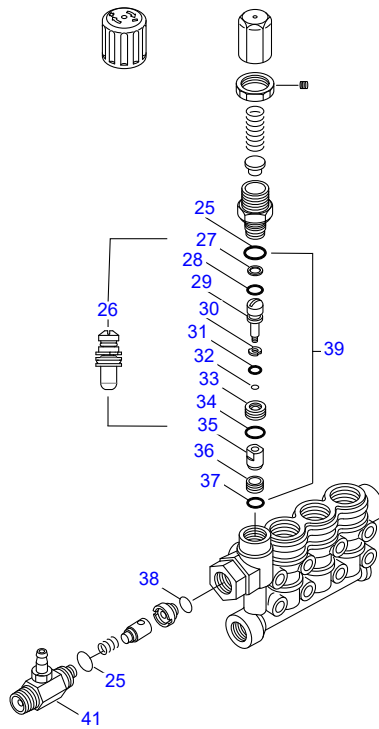
The information in this manual is accurate based on products produced at the time of publication. The manufacturer reserves the right to make technical updates, corrections, and product revisions at any time without notice.

www.generac.com or 1-888-GENERAC



ITEM	PART NO.	DESCRIPTION	QTY
1	A0000966008	SCREW, HH SEMS (M8X25MM)	4
2	A0000966013	COVER, BEARING ADAPTER	1
3	A0000966016	O-RING, BEARING COVER	1
4	A0000966018	SEAL, OIL CRANKSHAFT	1
5	A0000966019	O-RING, CAP 70D	2
6	A0000966020	GAUGE, OIL BUBBLE W/GASKET	1
7	ORDER # 24	WASHER, SEAL 70D	3
8	ORDER # 24	SEAL, LPS W/S- SPG	3
9	ORDER # 24	O-RING, SEAL CASE 70D	3
10	ORDER # 24	V-PACKING	3
11	ORDER # 24	ADAPTER, MALE	3
12	ORDER #23	O-RING, INLET VALVE SEAT-70D	3
13	ORDER # 23	SEAT, INLET	3
14	ORDER # 23	VALVE	6

ITEM	PART NO.	DESCRIPTION	QTY
15	ORDER # 23	SPRING	6
16	ORDER # 23	RETAINER, SPRING INLET	3
17	ORDER # 23	BACK-UP-SPRING DISCHARGE SEAT	3
18	ORDER # 23	O-RING DISCHARGE SEAT - 70D	3
19	ORDER # 23	SEAT, DISCHARGE	3
20	ORDER # 23	RETAINER, DISCHARGE SPRING	3
21	ORDER # 23	O-RING, VALVE PLUG 90D	3
22	A0000966027	ASSEMBLY, BOLT MOUNT GASKET	1
23	A0000966028	KIT-PRE-ASSEMBLED VALVE	1
24	A0000966029	KIT, SEAL-INCLUDES ITEMS 7,8, 9, 10,& 11	1



011277

ITEM	PART NO.	DESCRIPTION	QTY	ITEM	PART NO.	DESCRIPTION	QTY
25	*	O-RING - 80D	2	40	A0000966036	KIT, O-RING, INCLUDES ITEMS 25, 27, 28, 31, 32, 34, 37, AND 38	1
26	ORDER # 39	ASSEMBLY, COMPLETE PISTON	1	41	A0000966037	INJECTOR, CHEMICAL FIXED	1
27	*	BACK-UP-RING, PISTON STEM	1	NOTE: Parts with * in the cell are used in both kits 39 and 40. Please order the kit you need.			
28	*	O-RING, PISTON STEM 90D	1				
29	ORDER # 39	STEM, PISTON	1				
30	ORDER # 39	WASHER	1				
31	*	O-RING, VALVE RETAINER -70D	1				
32	*	BACK-UP-RING, VALVE RETAINER	1				
33	ORDER # 39	RETAINER, VALVE	1				
34	*	O-RING, VALVE RETAINER	1				
35	ORDER # 39	VALVE/BALL ASSEMBLY	1				
36	ORDER # 39	SEAT	1				
37	*	O-RING, SEAT - 70D	1				
38	ORDER # 40	O-RING, CHECK VALVE SEAT 80D	1				
39	A0000966034	KIT, REPAIR INCLUDES ITEMS 25 THROUGH 37	1				

Part No. A0000945455 Rev. A 08/18/2020
©2020 Generac Power Systems, Inc.
All rights reserved.
Specifications are subject to change without notice.
No reproduction allowed in any form without prior written
consent from Generac Power Systems, Inc.

GENERAC®

Generac Power Systems, Inc.
S45 W29290 Hwy. 59
Waukesha, WI 53189
1-888-GENERAC (1-888-436-3722)
www.generac.com