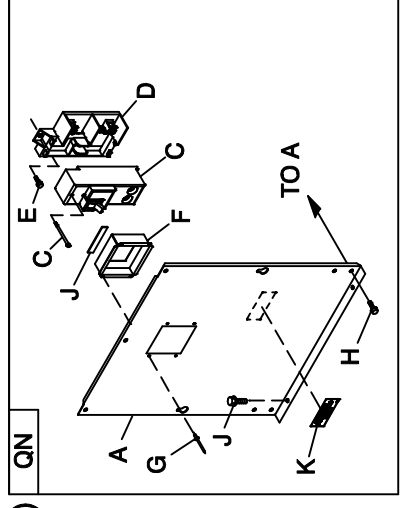
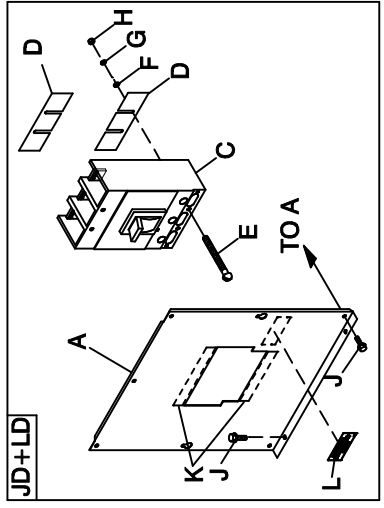
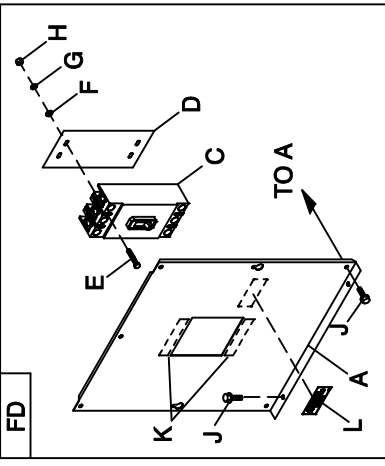
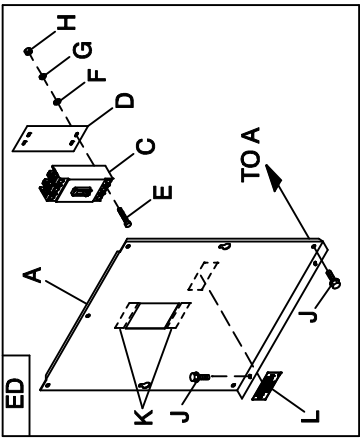
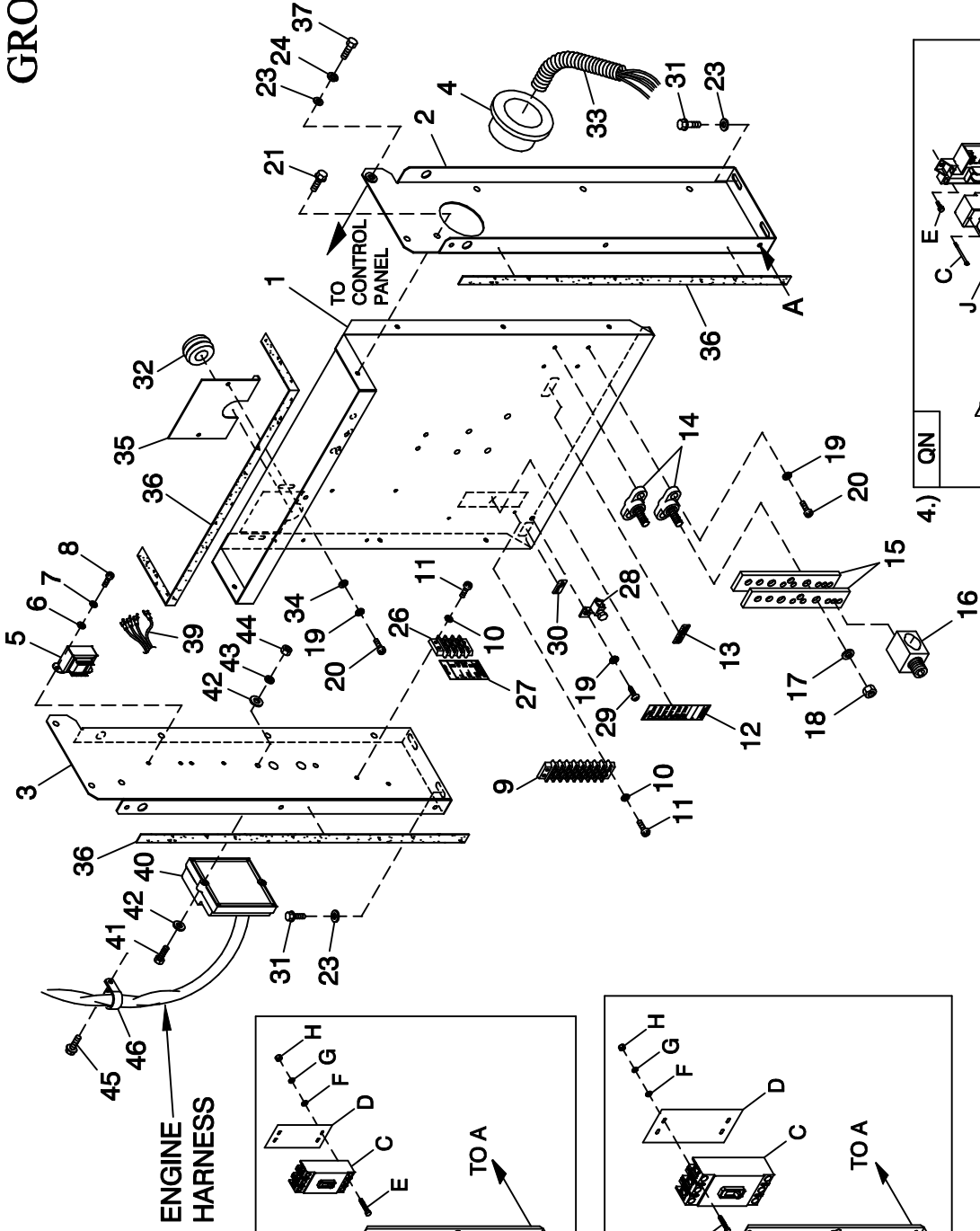


GROUP A



EXPLODED VIEW:
CPL C2 & C4 FLEX HSB
DRAWING #: 0F3391D

EXPLODED VIEW: CPL C2 & C4 FLEX HSB
DRAWING #: 0F3391D

GROUP A

APPLICABLE TO:

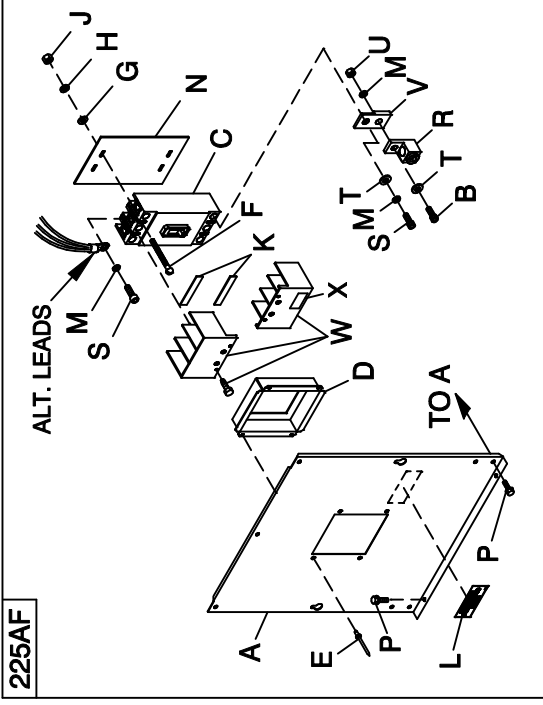
ITEM	PART #	QTY.	DESCRIPTION
1	0F3137	1	PAN CB CONN BOX
2	0F3188	1	STAND RH CONTROL
3	0F3189	1	STAND LH CONTROL
4	023484N	1	BUSHING SNAP SB-2.5-31
5	0F6366B	1	XFMR DUAL 120V/16V (FOR 120/240V & 277/480V UNITS)
	0F6366A	1	XFMR DUAL 104V/16V (FOR 120/208V UNITS)
6	043180	2	WASHER FLAT M4
7	022264	2	WASHER LOCK #8-M4
8	0C3990	2	SCREW PHTT M4-0.7 X 10 ZYC
(1) 9	057701	REF	BLOCK TERM 20A 8 X 6 X 1100V
10	022155	4	WASHER LOCK #6
11	0C2428	4	SCREW PHTT #6-32 X 1/2 ZYC
12	0F3824	1	DECAL UT IL SENSE/CUST CONN
13	0A9457	1	DECAL NEUTRAL
14	057073	2	JUNCTION BLOCK 3/8-16
(2) 15	0D5466	REF	BUS BAR NEUTRAL BLOCK 390
(2) 16	0A7822	REF	LUG SLDLSS 600/250-1/0 X 1/4-28
17	022237	2	WASHER LOCK 3/8
18	022241	2	NUT HEX 3/8-16 STEEL
19	049226	6	WASHER LOCK M5
20	0C2266	6	SCREW PHTT M5-0.8 X 16 ZYC
21	0C2454	8	SCREW THF M6-1 X 16 N WA ZJS
23	022473	8	WASHER FLAT 1/4-M6 ZINC
24	022097	4	WASHER LOCK M6-1/4
(1) 26	0D4698	REF	BLOCK TERM 20A 6 X 3 X 1100V
27	0F4464	1	DECAL CUST CONN 120V UTILITY
28	025433	1	LUG SLDLSS #6-14 X 13/64 CU
29	024469	1	SCREW HHTT #10-32 X 3/8 CZ
30	067210A	1	DECAL GROUND LUG
31	0D6029	4	SCREW HHTT M6-1.0 X 16 ZYC
32	081008	1	GROMMET 1.25 X .25 X .75
33	077043J	1	CONDUIT FLEX 2.0" ID (36" LG)
34	051713	2	WASHER FLAT M5
35	0F6156	1	PLATE WIRE SNGL GALV
36	029289	1	TAPE ELEC 1/2 FOAM (AS REQ'D)
37	047411	4	SCREW HHC M6-1.0 X 16 G8.8
(3) 39	0G0770	1	HARNES, TRANSFORMER ADAPTER
(4) 40	0H0348	1	ASSY ENCLOSURE PCB 4.2L IGN MD
(4) 41	036943	2	SCREW PPHM #10/32 X 2
(4) 42	023897	4	WASHER FLAT #10 ZINC
(4) 43	022152	2	WASHER LOCK #10
(4) 44	022158	2	NUT HEX #10-32 STEEL
(4) 45	0C2454	1	SCREW THF M6-1 X 16 N WA ZJS
(4) 46	055934D	1	CLAMP VINYL 1.06 X .406 Z
47	0F6145	AR	SEALWEATHER .45" DIA
1)			UL CIRCUIT BREAKER (ED)
A	0F3328	1	COVER ED CB SHORT STND
C	0D5552	1	CB 0050A 3P 480V S ED4 LL
	0D5553	-	CB 0060A 3P 480V S ED4 LL
	0D5554	-	CB 0070A 3P 480V S ED4 LL
	0D5556	-	CB 0090A 3P 480V S ED4 LL
	0D9693	-	CB 0125A 3P 480V S ED4 LL
D	0F0492	1	INSULATOR CB S (ED-3P)
E	048927	4	SCREW RHM #10-32 X 4-1/2
F	023897	4	WASHER FLAT #10 ZINC
G	022152	4	WASHER LOCK #10
H	022158	4	NUT HEX #10-32 STEEL
J	0C2454	9	SCREW THF M6-1 X 16 N WA ZJS
K	029289	1	TAPE ELEC 1/2 FOAM (AS REQ'D)
L	0F1733	1	DECAL CUSTOMER CONNECT INSIDE
2)			UL CIRCUIT BREAKER (FD)
A	0F3138	1	COVER CB CONN BOX
C	0D5572	1	CB 0150A 3P 600V S FD6 LL
	0D5573	-	CB 0175A 3P 600V S FD6 LL
	0D5574	-	CB 0200A 3P 600V S FD6 LL
	0D5575	-	CB 0225A 3P 600V S FD6 LL
	0D5576	-	CB 0250A 3P 600V S FD6 LL
D	0F0199	1	INSULATOR CB FD FRAME 30ML
E	081320	4	SCREW SHC 1/4-20 X 4.5 G8.8 NZ
F	022473	4	WASHER FLAT 1/4-M6 ZINC
G	022097	4	WASHER LOCK M6-1/4

ITEM	PART #	QTY.	DESCRIPTION
H	022127	4	NUT HEX 1/4-20 STEEL
J	0C2454	9	SCREW THF M6-1 X 16 N WA ZJS
K	029289	1	TAPE ELEC 1/2 FOAM (AS REQ'D)
L	0F1733	1	DECAL CUSTOMER CONNECT INSIDE
3)			UL CIRCUIT BREAKER (JD+LD)
A	0F3329	1	COVER JD/LD CB SHRT STAND
C	0D5577	1	CB 0300A 3P 600V S JD6 LL
D	0F2353	2	INSULATOR CIRCUIT BR. JD/LD
E	022770	4	SCREW RHM 1/4-20 X 3
F	022473	4	WASHER FLAT 1/4-M6 ZINC
G	022097	4	WASHER LOCK M6-1/4
H	022127	4	NUT HEX 1/4-20 STEEL
J	0C2454	9	SCREW THF M6-1 X 16 N WA ZJS
K	029289	1	TAPE ELEC 1/2 FOAM (AS REQ'D)
L	0F1733	1	DECAL CUSTOMER CONNECT INSIDE
4)			UL CIRCUIT BREAKER (QN)
A	0F8135	1	COVER QN FRM CB
C	0E7283	-	CB 0150A 2P 240V S QN2 LL
	0E7284	-	CB 0175A 2P S QN2 LL 240V
D	0E3664	1	BASE, QN CIRCUIT BREAKER
E	074908	2	SCREW HHTT M5-0.8 X 10 BP
F	0F8140	1	COVER QN CB DISH
G	036261	4	RIVET POP .125 X .275 SS
H	0C2454	11	SCREW THF M6-1X16 N WA ZJS
J	029289	1	TAPE ELEC 1/2 FOAM (AS REQ'D)
K	0F1733	1	DECAL CUSTOMER CONNECT INSIDE

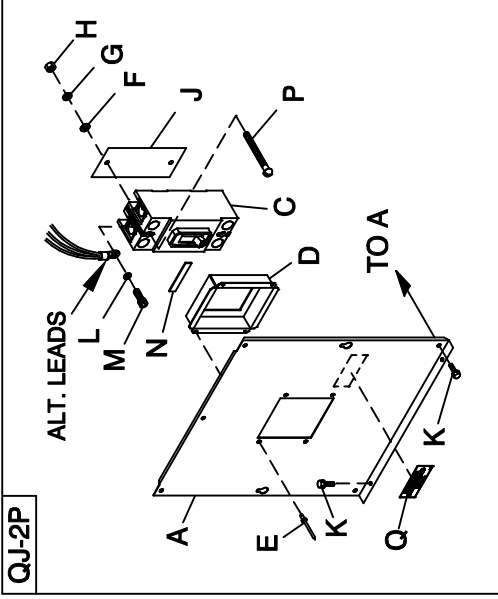
- (1) ITEM INCLUDED WITH HARNESS
- (2) ITEM INCLUDED WITH 0D5466B
- (3) ITEM USED WITH EARLY MODEL 208V UNITS ONLY
- (4) ITEMS USED ON 4.2L MODELS ONLY.

GROUP A

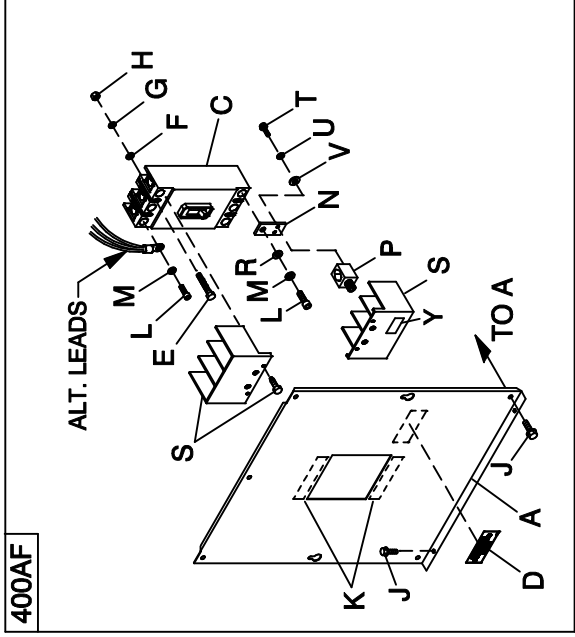
6.) 225AF



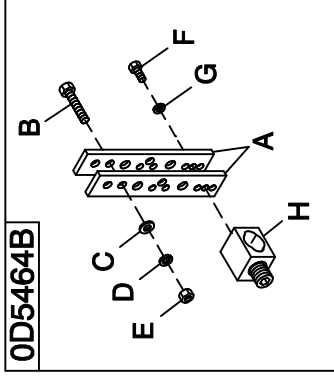
5.) QJ-2P



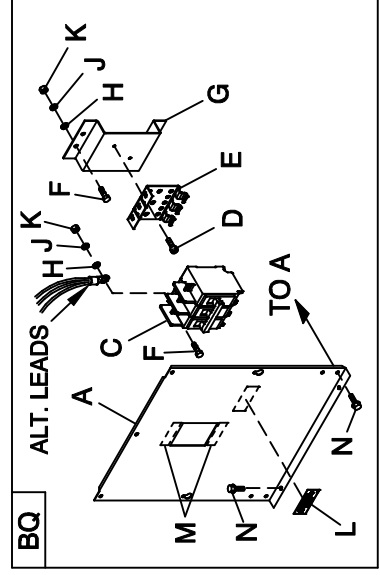
7.) 400AF



8.) OD5464B



9.) BQ



EXPLODED VIEW: CPL C2 & C4 FLEX HSB
DRAWING #: 0F3391D

GROUP A

APPLICABLE TO:

ITEM	PART #	QTY.	DESCRIPTION
5)			UL CIRCUIT BREAKER (QJ-2P)
A	0F8137	1	COVER QJ 2P FRM CB
C	0E7994	-	CB 0225A 240V 2P S QJ22
D	0F8136	1	COVER QJ 2P CB DISH
E	036261	4	RIVET POP .125 X .275 SS
F	022473	2	WASHER FLAT 1/4-M6 ZINC
G	022097	2	WASHER LOCK M6-1/4
H	022127	2	NUT HEX 1/4-20 STEEL
J	0F8139	1	INSUL CB 2P QJ
K	0C2454	9	SCREW THF M6-1 X 16 N WA Z/JS
L	022237	2	WASHER LOCK 3/8
M	048527	2	SCREW SHC 3/8-16 X 3/4 G8.8 NZ
N	029289	1	TAPE ELEC 1/2 FOAM (AS REQ'D)
P	022770	2	SCREW RHM 1/4-20 X 3
Q	0F1733	1	DECAL CUSTOMER CONNECT INSIDE
6)			UL CIRCUIT BREAKER (225AF) (2P & 3P)
A	0F4185	1	COVER CB C2-C4 (225AF)
B	058306	3	SCREW SHC M8-1.25 X 25 G12.9
C	0F4165\$	REF	CIRCUIT BREAKERS 200A FRAME (3P)
	0F4143	REF	CB 0040A 3P 480V 225AF (3P)
	0F4148	REF	CB 0125A 3P 480V G 225AF
	0F4149	REF	CB 0150A 3P 480V G 225AF
	0F4151	REF	CB 0200A 3P 480V G 225AF
	0G5247\$	REF	CB 200A FRAME G 240V (2P)
	0G5250	REF	CB 175A 2 POLE 240V 225AF (2P)
	0G4478	REF	CB 200A 2 POLE 240V 225AF (2P)
D	0F4186	1	COVER CB DISH 225AF (3P)
	0F4186AGSOR		COVER CB DISH 225AF (2P)
E	036261	4	RIVET POP .125 X .275 SS
(2) F	053640	2/4	SCREW RHM #8-32 X 3-1/4
(2) G	038150	2/4	WASHER FLAT #8 ZINC
(2) H	022264	2/4	WASHER LOCK #8-M4
(2) J	022471	2/4	NUT HEX #8-32 STEEL
K	029289	2	TAPE ELEC 1/2 FOAM
L	0F1733	1	DECAL CUSTOMER CONNECT INSIDE
(2) M	022129	6/9	WASHER LOCK M8-5/16
N	0F8432	1	INSULATOR CB 225AF (3P)
	0F8432A	1	INSULATOR CB 225AF (2P)
P	0C2454	11	SCREW THF M6-1 X 16 N WA Z/JS
(2) R	0F8451	2/3	LUG SLDLSS 300 MCM-6 AL/CU
(2) S	049897	4/6	SCREW SHC M8-1.25 X 20 G8
(2) T	022145	4/6	WASHER FLAT 5/16-M8 ZINC
(2) U	045771	2/3	NUT HEX M8-1.25 G8 CLEAR ZINC
(2) V	0F8843	2/3	BUS BAR 200A LUG ADAPTOR
(1) W	W/CB	2	TERMINAL COVER CB
X	0G3259	1	DECAL TERMINAL SHOCK HZD BI
7)			UL CIRCUIT BREAKER (400AF)
A	0F4187	1	COVER CB C2-C4 400AF
C	0F4166\$	REF	CIRCUIT BREAKERS 400A FRAME
D	0F1733	1	DECAL CUSTOMER CONNECT INSIDE
E	042419	4	SCREW RHM 10-32 X 4
F	023897	4	WASHER FLAT #10 ZINC
G	022152	4	WASHER LOCK #10
H	022158	4	NUT HEX #10-32 STEEL
J	0C2454	9	SCREW THF M6-1 X 16 N WA Z/JS
K	029289	1	TAPE ELEC 1/2 FOAM
(2) L	052647	2/3	SCREW SHC M10-1.5 X 25 G12.9
(2) M	046526	2/3	WASHER LOCK M10
N	W/CB	3	BUS BAR CB ADAPTER 225-400 A
P	0A7822	3	LUG SLDLSS 600/250-1/0 X 1/4-28
(1) S	W/CB	2	TERM COVER CB
T	023334	6	SCREW HHC 1/4-28 X 1/2 G5
U	022097	6	WASHER LOCK M6-1/4
V	022473	6	WASHER FLAT 1/4-M6 ZINC
(2) W	W/CB	2/3	SCREW SHC M10-1.5 X 25 G12.9
(2) X	W/CB	2/3	WASHER LOCK M10
Y	0G3259	1	DECAL TERMINAL SHOCK HZD BI

ITEM	PART #	QTY.	DESCRIPTION
8)			NEUTRAL BLOCK 390 / 200-400A
A	0D5466	2	BUS BAR NEUTRAL BLOCK 390
B	039287	1	SCREW HHC M8-1.25 X 45 G8.8 FT
C	022145	1	WASHER FLAT 5/16-M8 ZINC
D	022129	1	WASHER LOCK M8-5/16
E	045771	1	NUT HEX M8-1.25 G8 YEL CHR
F	045335	2	SCREW HHC 1/4-28 X 3/4 G5
G	083896	2	WASHER LOCK 1/4-M6 SS
H	0A7822	1	LUG SLDLSS 600/250-1/0 X 1/4-28
9)			UL CIRCUIT BREAKER (BQ)
A	0G1968	1	COVER BQ CIR BREAKER CPL 3P
	0G1970	-	COVER BQ CIR BREAKER CPL 2P
C	0A2077	1	CB 0125A 2P 240V S BQ2 LL
	040532	-	CB 0100A 3P 240V S BQ3 LL
D	0C3990	2	SCREW PHTT M4-0.7 X 10 ZYC
E	0E7890	1	BRKT CB MTG BACK
	0E6002	-	MTG TRACK BQ SIEMENS CB 3P
F	022859	6	SCREW RHM #10-32 X 3/4
G	0G0008	1	BRKT BQ CB STANDOFF
H	023897	6	WASHER FLAT #10 ZINC
J	022152	6	WASHER LOCK #10
K	022158	6	NUT HEX #10-32 STEEL
L	0F1733	1	DECAL CUSTOMER CONNECT INSIDE
M	029289	1	TAPE ELEC 1/2 FOAM
N	0C2454	11	SCREW THF M6-1 X 16 N WA Z/JS

(1) HARDWARE FOR MTG. CB TERMINAL COVERS IS SUPPLIED WITH CIRCUIT BREAKERS.

(2) QTY. REQ'D FOR "2POLE / 3POLE" BREAKER