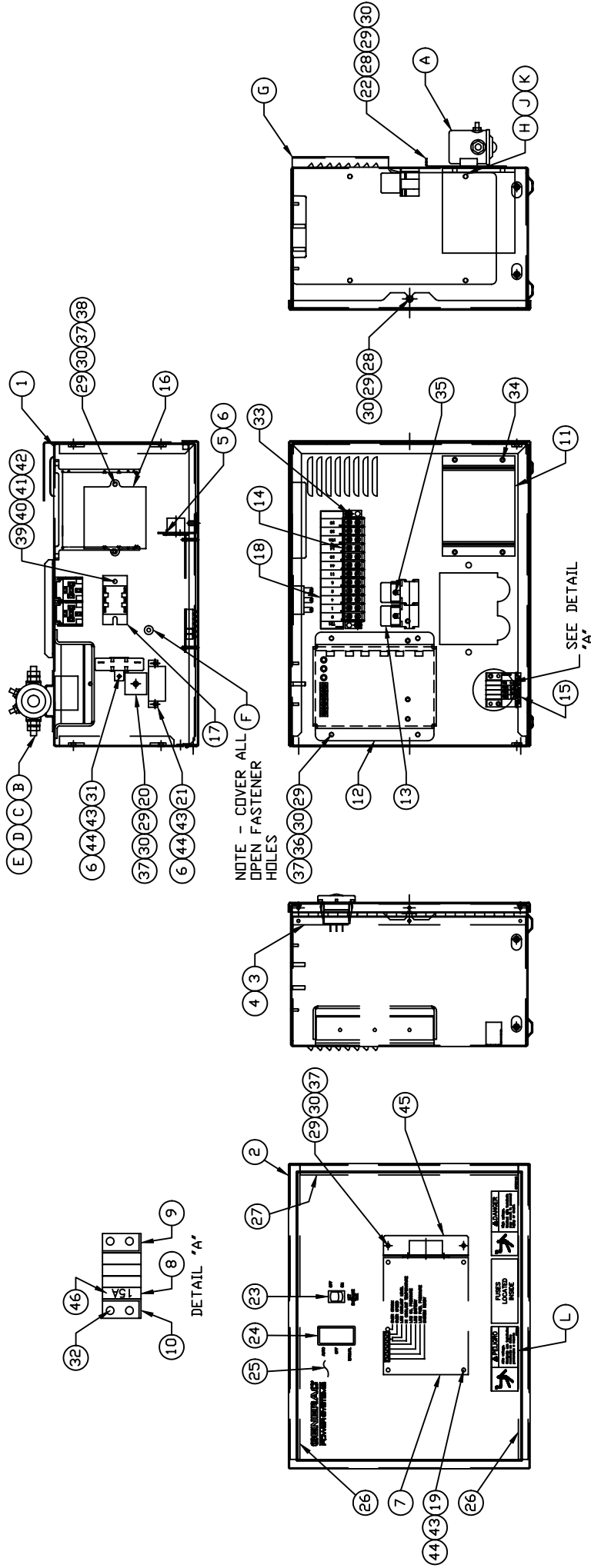


GROUP B



EXPLODED VIEW:
R-200 3600 RPM
DRAWING #: 0F9696D

APPLICABLE TO:

ITEM	PART #	QTY.	DESCRIPTION
<u>COMPONENTS INCLUDED IN 0F9696E</u>			
1	0F1823A	1	ENCL HSB CONTROL PANEL
2	0F3078	1	COVER CONTROL PANEL
3	0F2606	1	HINGE CONTINUOUS H-PANEL
4	036261	6	RIVET POP .125 X .275 SS
5	043181	4	SCREW PHM M3-0.5 X 10MM
6	052777	7	WASHER FLAT M3
7	0F8710B	1	ASSY PCB CPL2 CTRLR 3600 RPM
8	0F1262	4	HOLDER, FUSE WICKMANN 178.6150
9	0F1263	1	ADPTR RH SIDE WICKMAN 178.6191
10	0F1264	1	ADPTR LH SIDE WICKMAN 178.6192
11	0F1725C	1	ASSY PCB 2AMP 12V UL BATT CHGR
12	067680	1	ASSY VOLTAGE REGULATOR 60HZ
13	0E6875A	2	RELAY 12VDC C FORM W/DIODE
14	055911	1	BLOCK TERM 20A 12 X 6 X 1100V
15	0F5459	1	DECAL CPL CONTROL PANEL FUSES
16	0E3161	1	ASSY PCB BOSCH GOV DRIVER
17	0F5090	1	ASSY PCB SCR BRIDGE
18	0F5462	1	DECAL CPL 3.9L TB1
19	0A5062J	4	SPACER 9.5H 3.2 ID
20	029673	1	DIO BRIDGE 25A 600V
21	048467	1	CIRCT BRK 7 X 1 ETA 46-500-P
22	0F1958	1	PLATE, HARNESS CLAMP
23	082573	1	SWITCH RKR DPST 125V SPD
24	0E4494	1	SWITCH RKR DPDT ON-OFF-ON
25	0F3215	1	DECAL CONTROL HSB
26	0F6305	3	SEAL COVER 3.18X12.7X382
27	0F6305A	1	SEAL COVER 3.18X12.7X283
28	0F5886	3	SCREW HHPM M5-0.8 X 12
29	051713	12	WASHER FLAT M5
30	049226	12	WASHER LOCK M5
31	0F5752F	1	RES WW 15R 5% 25W QK CONN
32	0F5884	2	SCREW PHTT M3.5-0.6 X 10
33	0F5896	2	SCREW PHTT M3.5-0.6 X 16
34	0C2265	4	SCREW PHTT M4-0.7 X 12 ZYC
35	0C3990	2	SCREW PHTT M4-0.7 X 10 ZYC
36	091526	4	SCREW PPHM M5-0.8 X 12 ZNC
37	051716	9	NUT HEX M5-0.8 G8 CLEAR ZINC
38	079224	2	SCREW PPHM M5-0.8 X 30 SS
39	075476	2	SCREW PPHM M4-0.7 X 16
40	043180	2	WASHER FLAT M4
41	022264	2	WASHER LOCK #8-M4
42	051715	2	NUT HEX M4-0.7 G8 YEL CHR
43	043182	7	WASHER LOCK M3
44	051714	7	NUT HEX M3-0.5 G8 YEL CHR
45	0F3192	1	SUPPORT ANGLE PCB
46	0E7403C	1	FUSE ATO TYPE 15 AMP (BLUE)
47	0F9785	1	HARN 3600RPM R200 CONTROL PNL
<u>COMPONENTS INSTALLED PER THIS DRAWING</u>			
A	056739	1	RELAY SOLENOID 12VDC PNL MNT
B	022287	2	SCREW HHC 1/4-20 X 3/4 G5
C	022473	4	WASHER FLAT 1/4-M6 ZINC
D	022097	2	WASHER LOCK M6-1/4
E	022127	2	NUT HEX 1/4-20 STEEL
F	0F6145	A/R	SEAL WEATHER .45"DIA
G	0F2627A	1	COVER CONTROL PANEL SIDE
H	091526	4	SCREW PPHM M5-0.8 X 12 ZNC
J	049226	4	WASHER LOCK M5
K	051713	4	WASHER FLAT M5
L	0G3545	1	DANGER HIGH VOLTAGE (SPANISH)