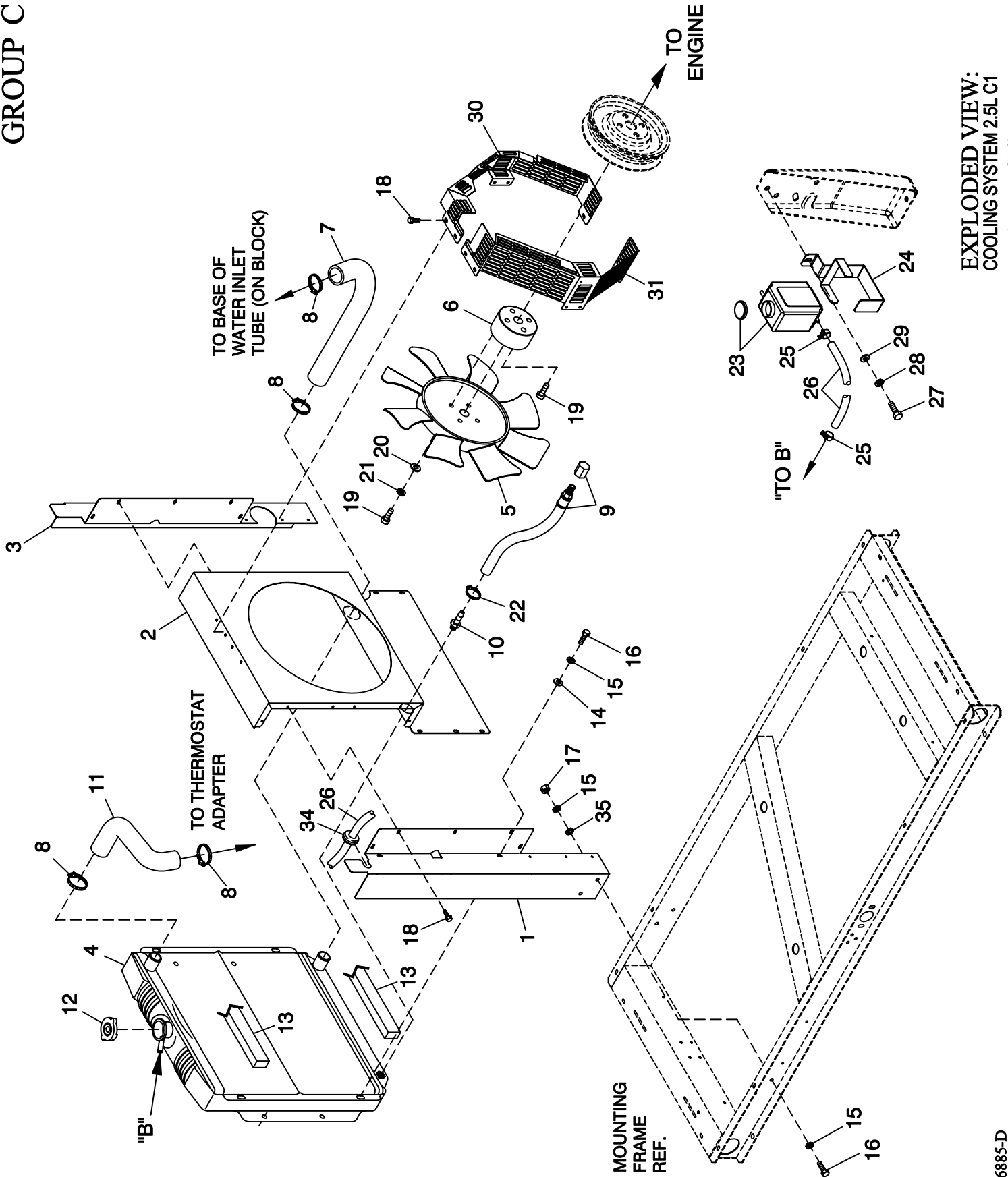


GROUP C



EXPLODED VIEW:
COOLING SYSTEM 2.5L C1
DRAWING #: 0F7363

EXPLODED VIEW: COOLING SYSTEM 2.5L C1

DRAWING #: 0F7363

GROUP C

APPLICABLE TO:

ITEM	PART #	QTY.	DESCRIPTION
1	0F7074	1	SUPPORT RADIATOR LH SIDE
2	0F7076	1	VENTURI 16" DIA. FAN
3	0F7075	1	SUPPORT RADIATOR RH SIDE
4	0E9837A	1	RADIATOR 2.5L CPL
5	0F0230A	1	FAN COOL 16" DIA 8 BLADE
6	0F7130	1	SPACER FAN 2.5L C1
7	0E9833	1	HOSE 2.5L FORD LOWER RADIATOR
8	099502	4	CLAMP HOSE #24 B1.06-2.00
9	069860C	1	HOSE OIL DRAIN ASSY 21"
10	035461	1	BARBED STR 1/4 NPT X 3/8
11	0F0127	1	HOSE UPPER RADIATOR 174MM TAL
12	046627	1	CAP RADIATOR
13	052250	2	TAPE FOAM 1 X 1 (20" LG)
14	022473	4	WASHER FLAT 1/4-M6 ZINC
15	022097	8	WASHER LOCK M6-1/4
16	0C8566	8	SCREW HHFC M6-1.0 X 20 G8.8
17	049813	4	NUT HEX M6 X 1.0 G8 YEL CHR
18	0C2454	24	SCREW THF M6-1 X 16 N WA Z/JS
19	040976	8	SCREW SHC M8-1.25 X 20 G12.9
20	022145	4	WASHER FLAT 5/16-M8 ZINC
21	022129	4	WASHER LOCK M8-5/16
22	0C7649	1	CLAMP HOSE .38-.87
23	076749	1	TANK COOLANT RECOVERY
24	0F1433	1	BRACKET 2.5L FORD WATER BOTTLE
25	048031C	2	CLAMP HOSE BAND 1/4
26	029032	1	HOSE 9/32 ID (40" LG)
27	049814	REF.	SCREW HHC M10-1.5 X 25 G8.8
28	046526	REF.	WASHER LOCK M10
29	022131	REF.	WASHER FLAT 3/8-M10 ZINC
30	0F7307	1	GUARD FAN RH C1 CPL
31	0F7308	1	GUARD FAN LH C1 CPL
34	029107	1	GROMMET 7/8 X 3/16 X 5/8
35	026850	4	WASHER SHAKEPROOF EXT 1/4 STL