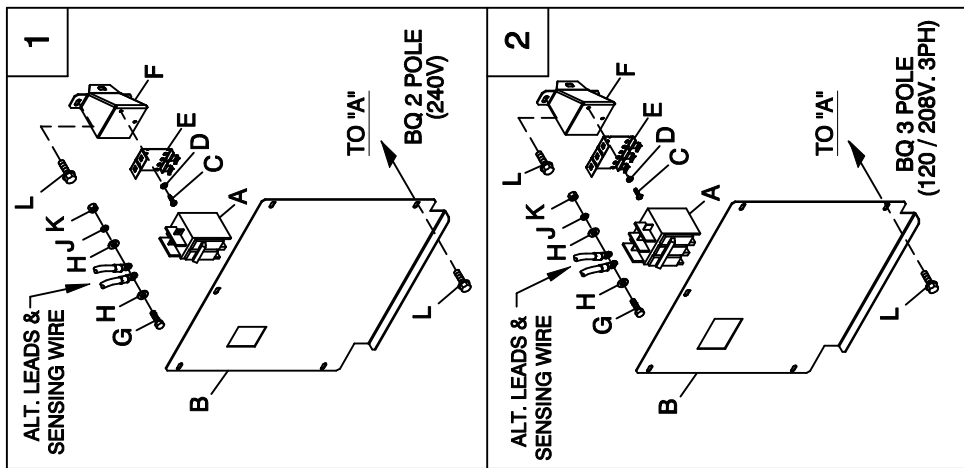
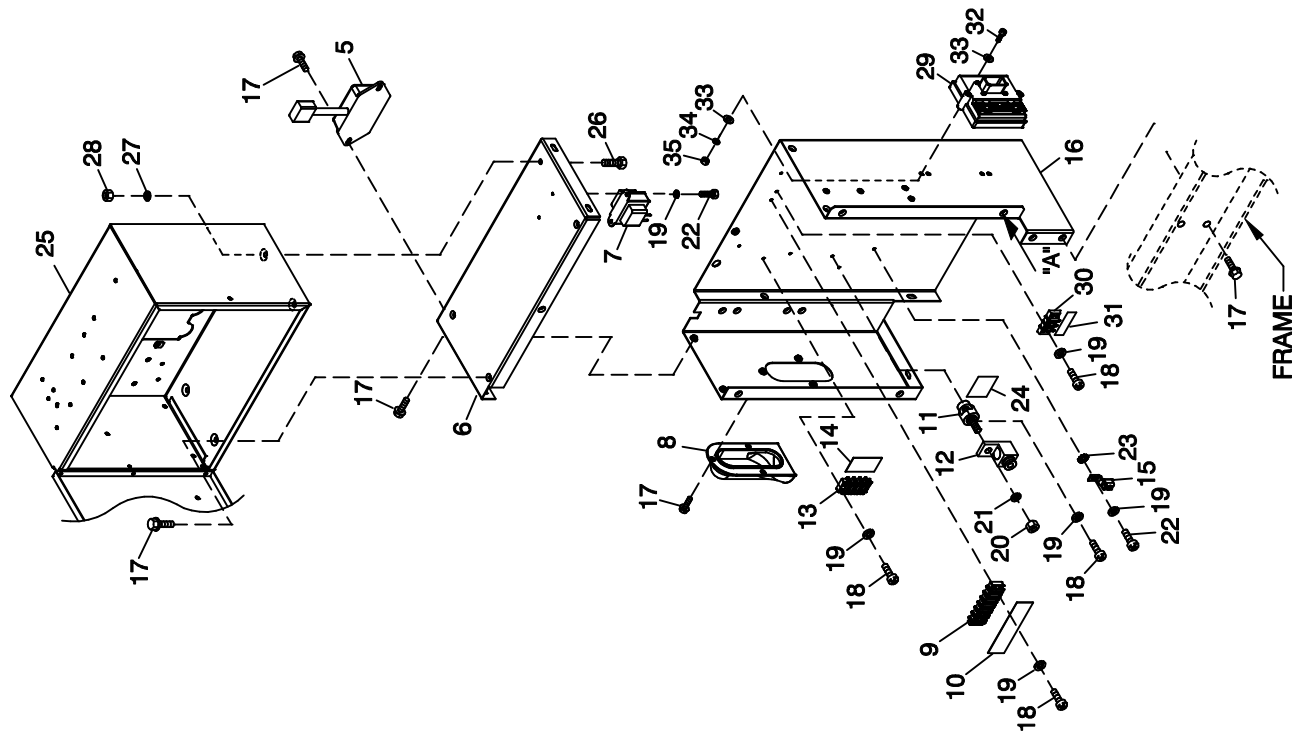


# GROUP A



EXPLODED VIEW:  
 CONNECTION BOX C1 CPL  
 DRAWING #: 0G9743

## EXPLODED VIEW: CONNECTION BOX C1 CPL

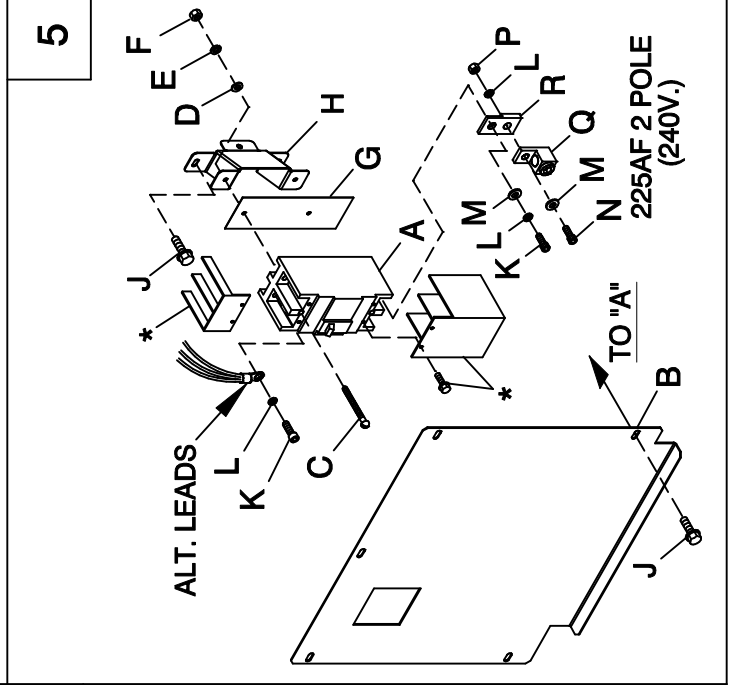
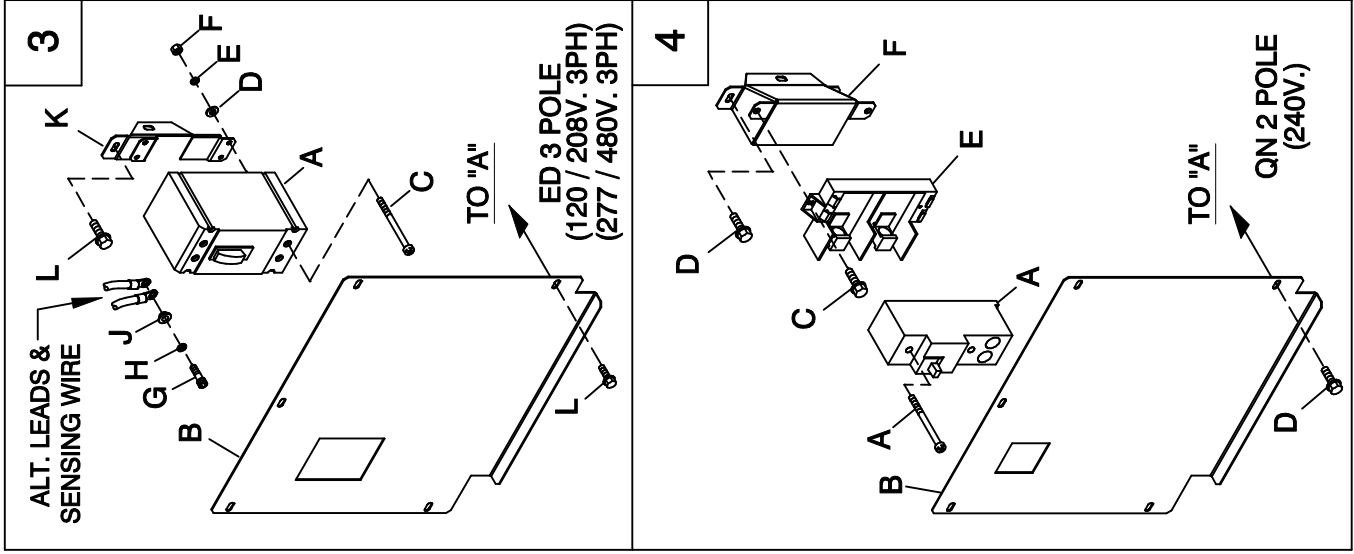
DRAWING #: 0G9743

GROUP A

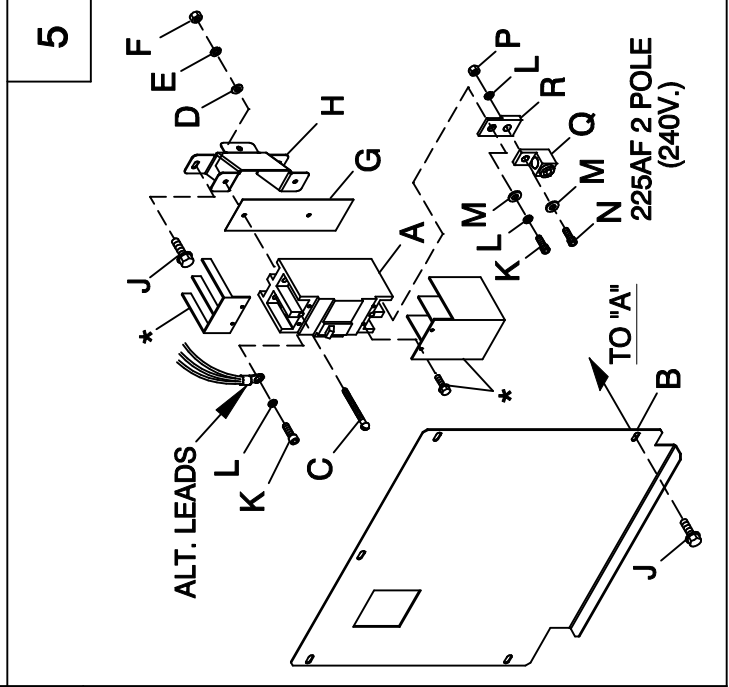
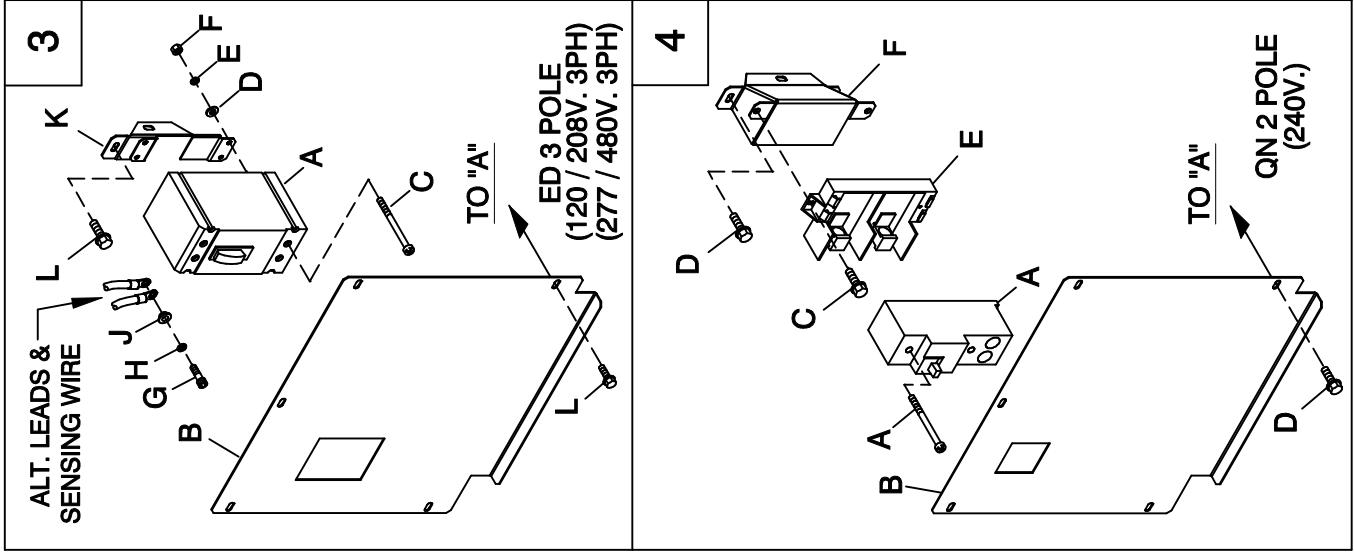
APPLICABLE TO:

ITEM	PART #	QTY.	DESCRIPTION	ITEM	PART #	QTY.	DESCRIPTION
1	N/A	N/A	UL BREAKER BQ2	5	0A1354A	1	REGULATOR - DC ALT (1.6L ONLY)
A	0D5543	1	CB 0090A 2P 240V S BQ2 LL	6	0G3473	1	CONBOX TOP PANEL SUPPORT
	0D5544	1	CB 0100A 2P 240V S BQ2 LL	7	0F6366A	1	XFMR 208 TO 16V 6VA (208V. ONLY)
	0A2077	1	CB 0125A 2P 240V S BQ2 LL		0F6366B	1	XFMR 240 TO 16V 6VA (240 / 480V.)
B	0G4499	1	CB COVER 20-25K 1P (BQ2)	8	0G3524	1	COVER BELL HOUSING CONBOX
C	0G9708	2	SCREW PHTT M4-0.7 X 8 ZYC	9	046357	REF	BLOCK TERM 20A 6 X 6 X 1100V
D	0C2264	2	WASHER LOCK #8-M4	10	0G7992	1	DECAL RTS CUSTOMER CONNECTION
E	0E7890	1	BRKT CB MTG BACK	11	057073	1	JUNCTION BLOCK 3/8-16
F	0G4497	1	CIRCUIT BREAKER SUPPORT (BQ)	12	057329	1	LUG SLDLSS 350-#6X13/32 AL/CU
G	052619	2	SCREW HHC M5-0.8 X 20 G8.8	13	0D4698	REF	BLOCK TERM 20A 6 X 3 X 1100V
H	023897	4	WASHER FLAT #10 ZINC	14	0G9337	1	DECAL CHARGER POWER 120VAC
J	049226	2	WASHER LOCK M5	15	025433	1	LUG SLDLSS #6-14 X 13/64 CU
K	051716	2	NUT HEX M5-0.8 G8 CLEAR ZINC	16	0G3472	1	CONBOX BACK & SIDES 1.6L
L	0E3257	7	SCREW HWHTF M6-1.0 X 16	17	0E3257	22	SCREW HWHTF M6-1.0 X 16
2	N/A	N/A	UL BREAKER BQ3	18	0C2212	8	SCREW PHTT M4-0.7 X 16 ZYC
A	049135	1	CB 0070A 3P 240V S BQ3 LL	19	022264	11	WASHER LOCK #8-M4
	062812	1	CB 0080A 3P 240V S BQ3 LL	20	022241	1	NUT HEX 3/8-16 STEEL
	040532	1	CB 0100A 3P 240V S BQ3 LL	21	022237	1	WASHER LOCK 3/8
B	0G4500	1	CB COVER 20-25K 3P (BQ3)	22	0G9708	3	SCREW PHTT M4-0.7 X 8 ZYC
C	0G9708	2	SCREW PHTT M4-0.7 X 8 ZYC	23	023762	1	WASHER SHAKEPROOF EXT #10 STL
D	0C2264	2	WASHER LOCK #8-M4	24	0A9457	1	DECAL NEUTRAL
E	0E6002	1	BRKT CB MTG BACK	25	0G4577E	REF	ASSY R-200 3600 1.6L
F	0G4497	1	CIRCUIT BREAKER SUPPORT (BQ)		0G4578E	REF	ASSY R-200 1800 1.6L
G	052619	3	SCREW HHC M5-0.8 X 20 G8.8		0G8458E	REF	ASSY R-200B 1800 RPM 2.4L/4.2L
H	023897	6	WASHER FLAT #10 ZINC		0G8459E	REF	ASSY R-200B 3600 RPM 2.4L/4.2L
J	049226	3	WASHER LOCK M5	26	047411	1	SCREW HHC M6-1.0 X 16 G8.8
K	051716	3	NUT HEX M5-0.8 G8 CLEAR ZINC	27	022097	1	WASHER LOCK M6-1/4
L	0E3257	7	SCREW HWHTF M6-1.0 X 16	28	049813	1	NUT HEX M6 X 1.0 G8 YEL CHR
				29	0H1083	1	ASSY PCB IGN MOD 2.4L NO-TURBO (2.4L ONLY)
				30	048766	REF	BLOCK TERM 20A 2 X 6 X 1100V
				31	0G7991	1	DECAL GTS CUSTOMER CONNECTION
				32	036943	2	SCREW PPHM #10/32 X 2 (2.4L ONLY)
				33	023897	4	WASHER FLAT #10 ZINC (2.4L ONLY)
				34	022152	2	WASHER LOCK #10 (2.4L ONLY)
				35	022158	2	NUT HEX #10-32 STEEL (2.4L ONLY)

# GROUP A



GROUP A



EXPLODED VIEW: CONNECTION BOX C1 CPL  
DRAWING #: 0G9743

GROUP A

APPLICABLE TO:

ITEM	PART #	QTY.	DESCRIPTION
3	N/A	N/A	UL BREAKER ED
A	0D5548	1	CB 0030A 3P 480V S ED4 LL
	0D5549	1	CB 0035A 3P 480V S ED4 LL
	0D5551	1	CB 0045A 3P 480V S ED4 LL
	0D5552	1	CB 0050A 3P 480V S ED4 LL
	0D5556	1	CB 0090A 3P 480V S ED4 LL
	0D5557	1	CB 0100A 3P 480V S ED4 LL
	0D9693	1	CB 0125A 3P 480V S ED4 LL
B	0G4502	1	CB COVER 20-30K 3P (ED)
C	066715	4	SCREW RHM #8-32 X 4-1/2
D	038150	4	WASHER FLAT #8 ZINC
E	022264	4	WASHER LOCK #8-M4
F	022471	4	NUT HEX #8-32 STEEL
G	0A8278	3	SCREW SHC 1/4-28 X 3/4 G8.8 NZ
H	022097	3	WASHER LOCK M6-1/4
J	0D5621	3	WASHER-STEP 1/20DX9/32ID BRASS
K	0G4498	1	CIRCUIT BREAKER SUPPORT (ED)
L	0E3257	7	SCREW HWHTF M6-1.0 X 16
4	N/A	N/A	UL BREAKER QN
A	0E7283	1	CB 0150A 2P 240V S QN2 LL
B	0G3474	1	CONBOX FRONT COVER 1.6L QN 2P
C	074908	2	SCREW HHTT M5-0.8 X 10 BP
D	0E3257	7	SCREW HWHTF M6-1.0 X 16
E	0E3664	1	BASE, QN CIRCUIT BREAKER
F	0G4112	1	BREAKER SUPPORT BRACKET 30KW

ITEM	PART #	QTY.	DESCRIPTION
5	N/A	N/A	UL BREAKER
A	0G5249	1	CB 150A 2 POLE 240V 225AF
*	W/CB	2	TERMINAL COVER CB
B	0G5735	1	CB COVER 30K G 225AF
C	053640	2	SCREW RHM #8-32 X 3-1/4
D	038150	2	WASHER FLAT #8 ZINC
E	022264	2	WASHER LOCK #8-M4
F	022471	2	NUT HEX #8-32 STEEL
G	0F8432A	1	INSULATOR CB 2P 225AF
H	0G5734	1	CIRCUIT BREAKER SPRT G 225AF
J	0E3257	8	SCREW HWHTF M6-1.0 X 16
K	049897	4	SCREW SHC M8-1.25 X 20 G8
L	022129	4	WASHER LOCK M8-5/16
M	022145	6	WASHER FLAT 5/16-M8 ZINC
N	058306	2	SCREW SHC M8-1.25 X 25 G12.9
P	045771	2	NUT HEX M8-1.25 G8 CLEAR ZINC
Q	0F8451	2	LUG SLDLSS 300 MCM-6 AL/CU
R	0F8843	2	BUS BAR 200A LUG ADAPTOR