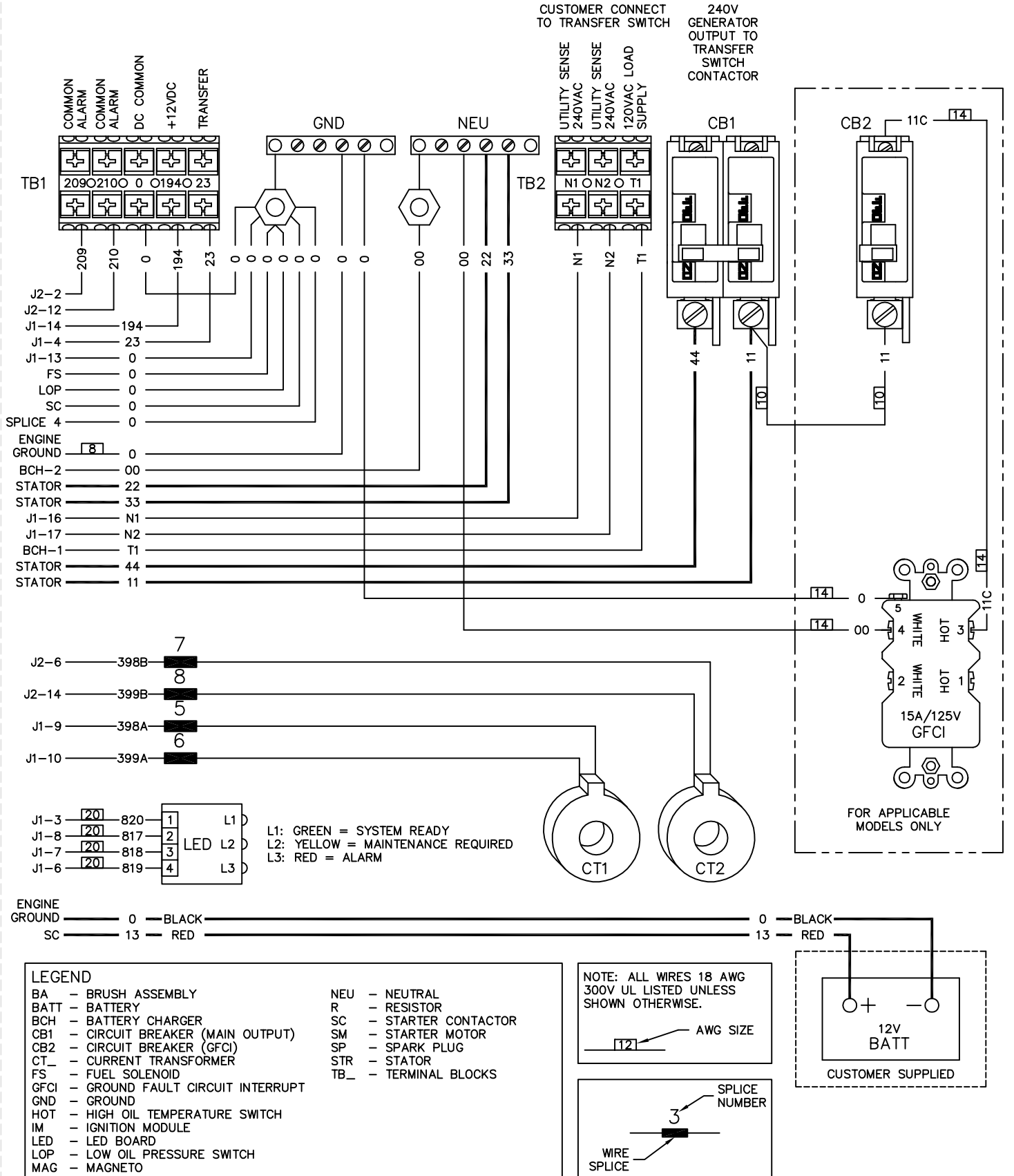
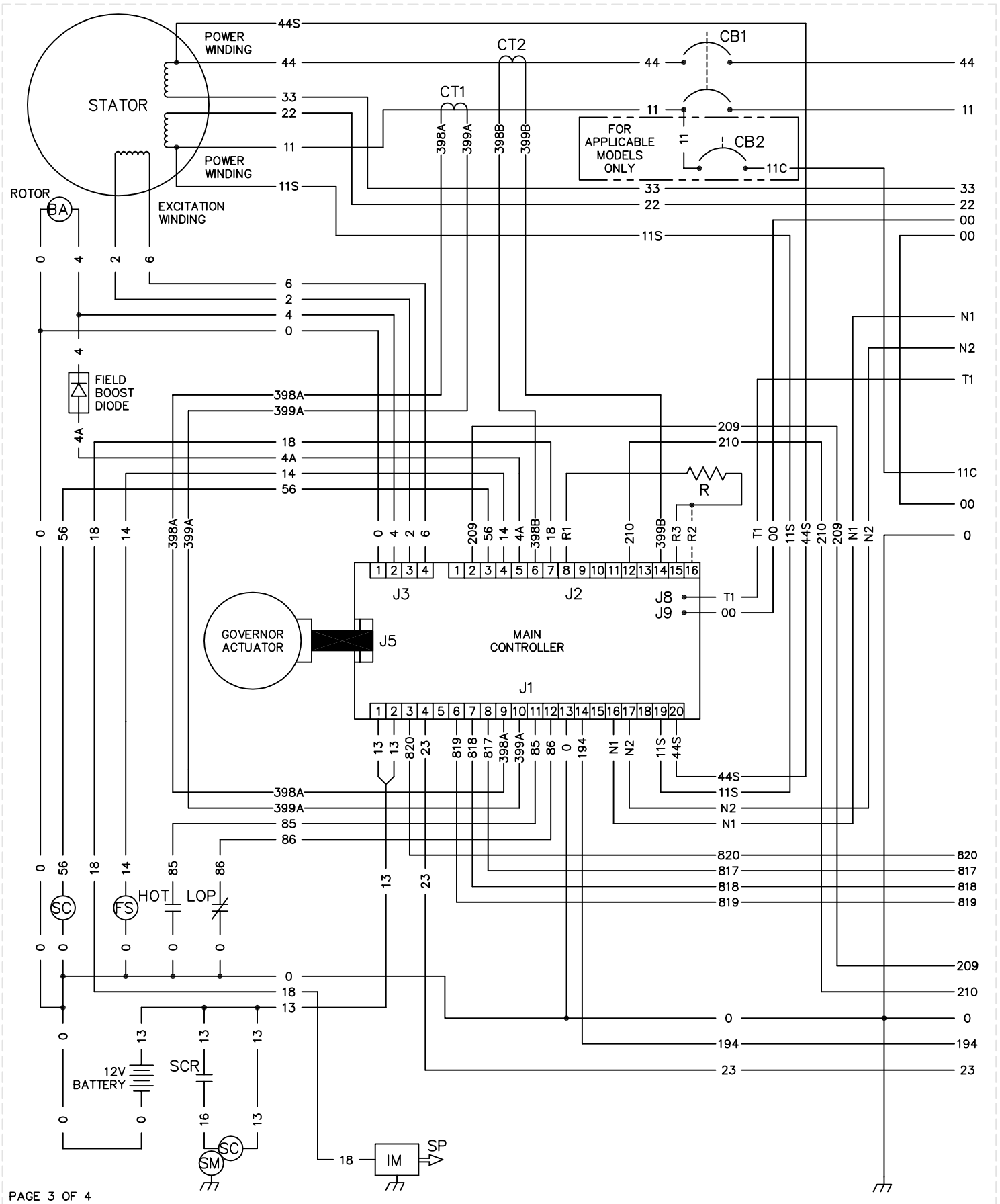
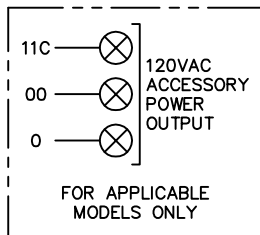
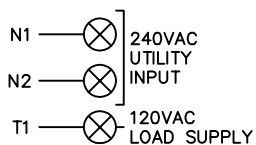
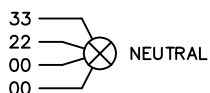
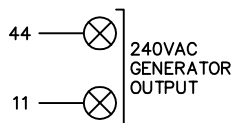


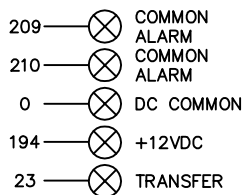
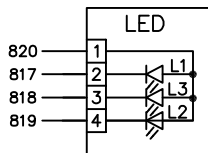
## COMPONENTS LOCATED IN CUSTOMER CONNECTION AREA







L1: GREEN = SYSTEM READY  
L2: YELLOW = MAINTENANCE REQUIRED  
L3: RED = ALARM



### LEGEND

BA - BRUSH ASSEMBLY	LED - LED BOARD
CB1 - CIRCUIT BREAKER (MAIN OUTPUT)	LOP - LOW OIL PRESSURE SWITCH
CB2 - CIRCUIT BREAKER (ACCESSORY POWER)	R - RESISTOR
CT_ - CURRENT TRANSFORMER	SC - STARTER CONTACTOR
FS - FUEL SOLENOID	SCR - STARTER CONTROL RELAY
HOT - HIGH OIL TEMPERATURE SWITCH	SM - STARTER MOTOR
IM_ - IGNITION MODULE	SP_ - SPARK PLUG