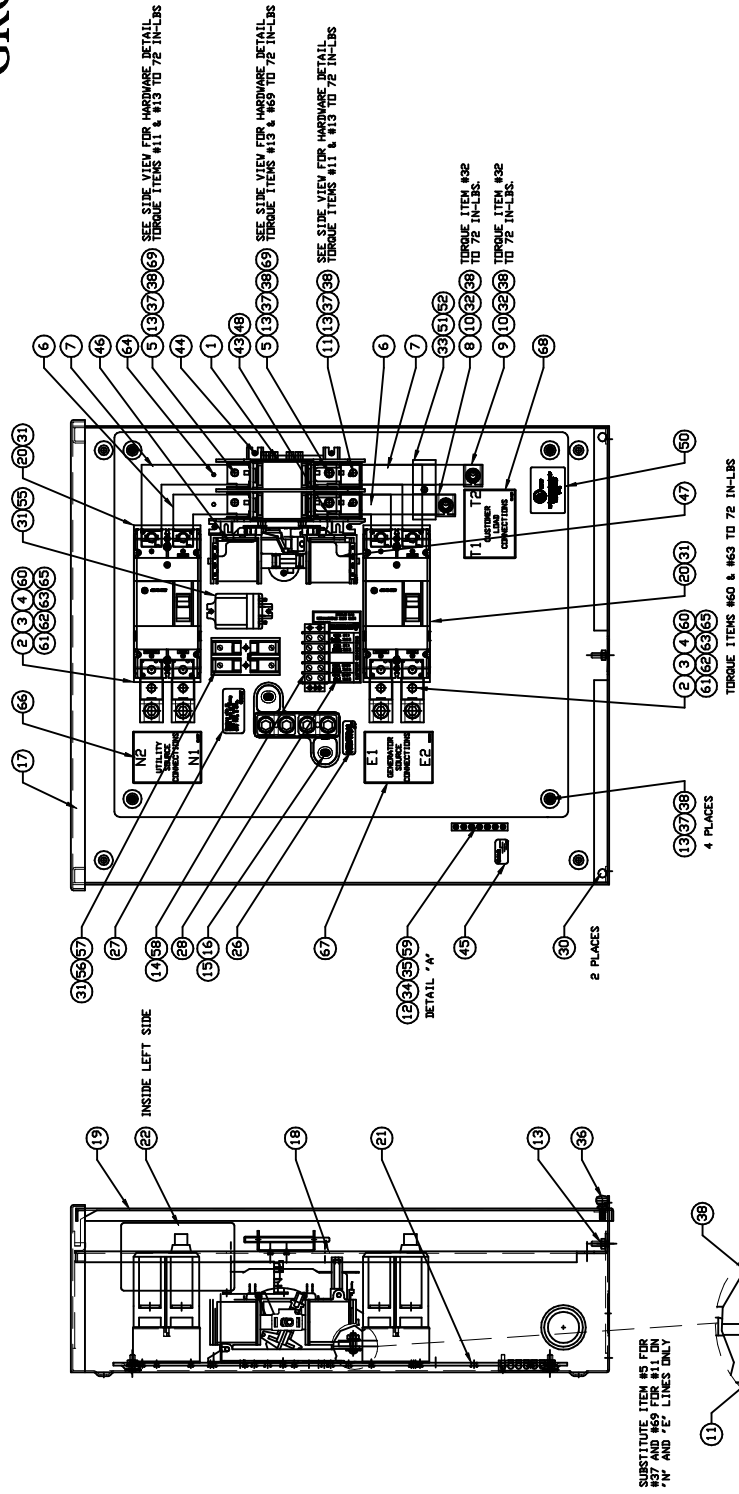
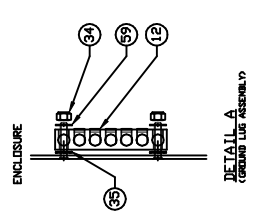
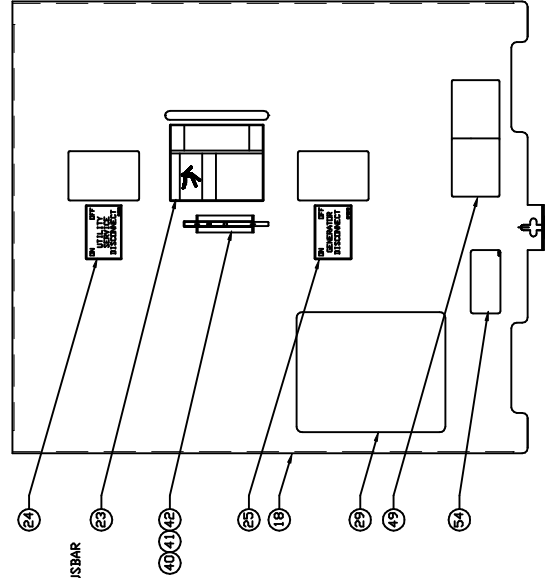
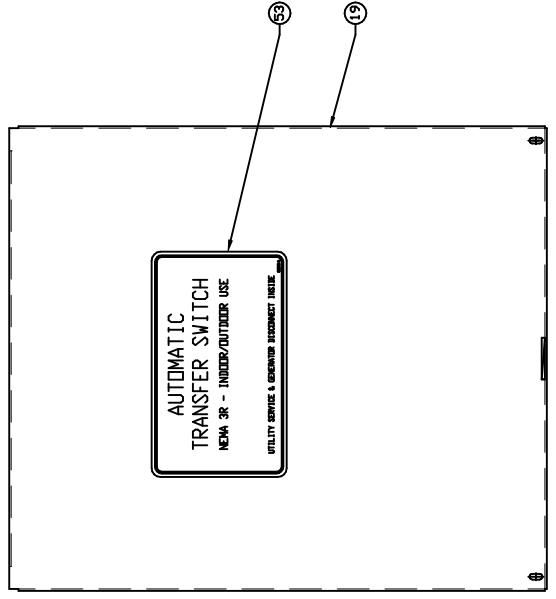


GROUP C



DECAL DETAILS
VIEWS SHOWN WITH ITEMS #18 & #19 FULLY ASSEMBLED



EXPLODED VIEW:
2-POLE TRANSFER SWITCH
DRAWING #: 0G4464A

**EXPLODED VIEW: 2-POLE TRANSFER SWITCH
DRAWING #: 0G4464A**

GROUP C

APPLICABLE TO:

ITEM	PART #	QTY.	DESCRIPTION
1	0D9618	1	TRANSFER SW. HSB 200A 2P 250V
2	0G4478	2	CIRCUIT BREAKER, 200A 2-POLE
3	0F8843	4	BUSBAR, 200A LUG ADAPTER
4	0F8451	4	LUG 300 MCM-6STR
5	0G4413	4	SPACER 200 AMP TRANSFER
6	0G4414	2	BUSBAR, 200A HSB XFER SW N1-E1
7	0G4415	2	BUSBAR, 200A HSB XFER SW N2-E2
8	0G4416	1	BUSBAR, 200A HSB XFER SW T1
9	0G4417	1	BUSBAR, 200A HSB XFER SW T2
10	0E3375	2	LUG SOLDERLESS 250-#6 AL/CU
11	0G3976	2	SCREW BHSC 1/4-20 X 3/4"
12	0E6523	1	GROUND BAR (5) 4-14 AWG CONN
13	085889	11	NUT HEX 1/4-20 SS
14	0A1661	2	RIVET, POP .156 X .67
15	0C4449A	1	ASS'Y NEUTRAL BLOCK 200A
16	090388	2	SCREW HHTT M6-1.0 X 12 MM
17	0G49780AL08	1	ENCLOSURE, 200A SE XFER SW
18	0G52630AL08	1	COVER, INSIDE 200A DUAL BREAKER
19	0G49790AL08	1	COVER, TRANSFER SWITCH
20	0G44200AL08	2	RISER, CIRCUIT BREAKER
21	0G52620AL08	1	SUBPLATE, 200A SE XFER SW

ITEM	PART #	QTY.	DESCRIPTION
22	0G3369A	REF	DECAL,XFER SW SE 200A 120/240
	0G4590	REF	DECAL, TRANSFER SWITCH DATA
23	0E3484	1	DECAL, MANUAL OPERATING HANDLE
24	0F9969	1	DECAL, UTILITY DISCONNECT
25	0F9970	1	DECAL, GENERATOR DISCONNECT
26	0A9457	1	DECAL, NEUTRAL
27	0D3587	1	DECAL, FUSE REPLACEMENT
28	0C2262	1	DECAL, TERMINAL STRIP
29	0G4591	1	DECAL, TEST SEQUENCE
30	058000E	2	NUT TRIC 1/4-20 X .525
31	0A1495	12	SCREW HHTT M4-.7 X 10 BP
32	0G5479	2	SCREW BHSC 1/4-20X1/2
33	051753	1	SCREW HHC M6-1.0 X 40 C8.8 FTH
34	0C6748	2	NUT HEX LOCK M4-0.7 SS NYL INS
35	0E6579	2	WASHER SHAKEPROOF EXT #8 STEEL
36	0E7213	2	THUMB SCREW 1/4-20x1/2
37	022473	10	WASHER FLAT 1/4-M6 ZINC
38	022097	12	WASHER LOCK M6-1/4
39	0G4485	1	WIRING HARNESS HSB (NOT SHOWN)
40	0E6193	1	BRACKET, ARM EXTENDER
41	0D6162	2	RIVET POP .156 X .362 AL
(1) 42	0E6155	1	ARM EXTENDER PIN
(1) 43	0E6033	1	90%%D LOWER SPADE CONNECTOR
44	074908	5	SCREW HHTT M5-0.8 X 10 BP
45	067210A	1	DECAL, GROUNDING LUG
46	0E6303	1	WIRE-A
47	0E6303A	1	WIRE-B
48	0E6303B	1	WIRE-E1
49	0G3259	1	DECAL TERMINAL SHOCK HZD BI
50	0G0900	1	DECAL-UL LIST HSB
51	0G4106	1	BLOCK, BUSBAR COVER
52	0F9856	1	BLOCK, BUS BAR
53	0G0242	1	DECAL,FRNT CVR ATS 3R SER DIS
54	0G3274	1	DECAL LIVE CIRCUIT ENG/FRN/SPN
(2) 55	063617	1	RELAY PNL 12VDC DPDT
(2) 56	0D2806	1	FUSEBLOCK 30A 600V 2 POLE
57	073590A	2	FUSE 5A X BUSS HLD73591
(2) 58	048850	1	BLOCK TERM 20A 5 X 6 X 1100V
59	043180	2	WASHER FLAT M4
60	049897	12	SCREW SHC M8-1.25 X 20 G8
61	022145	8	WASHER FLAT 5/16-M8 ZINC
62	022129	12	WASHER LOCK M8-5/16
63	045771	4	NUT HEX M8-1.25 G8 CLEAR ZINC
64	026902	4	SCREW HHTT #8-32 X 1/4 CZ
65	053640	4	SCREW RHM #8-32 X 3-1/2
66	0G4197	1	DECAL,UTILITY SOURCE CONN
67	0G4198	1	DECAL,GENERATOR SOURCE CONN
68	0G4199	1	DECAL,CUSTOMER LOAD CONN
69	024334	4	BOLT CARR 1/4-20 X 1"
70	064761	4	TIE WRAP UL 5.6 X .10 NATL 9 (NOT SHOWN)

(1) SUPPLIED WITH TRANSFER SWITCH ITEM #1
(2) SUPPLIED WITH HARNESS ITEM #39