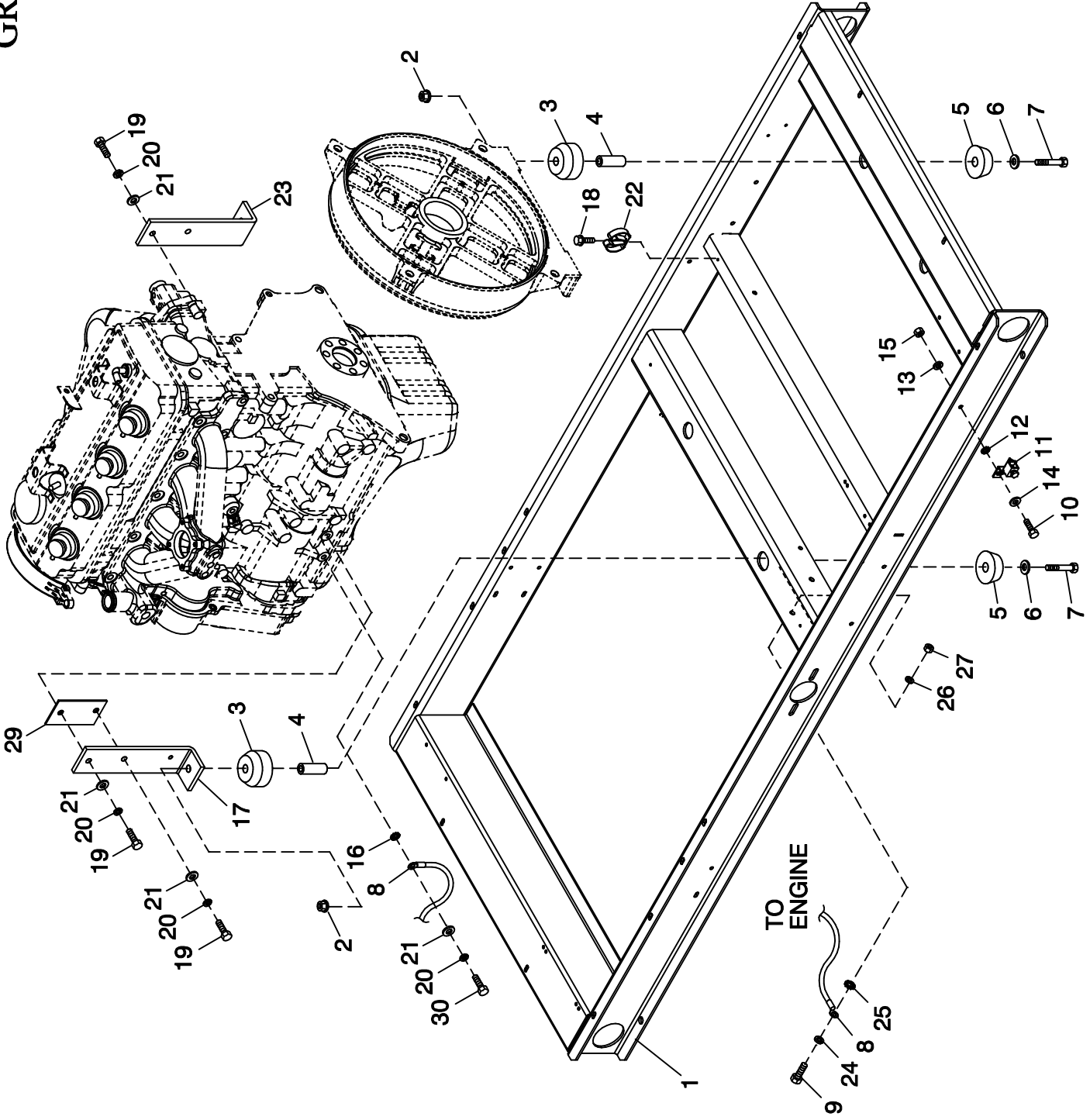


GROUP C



EXPLODED VIEW:
MOUNTING BASE 2.4L G2
DRAWING #: 0G7578

EXPLODED VIEW: MOUNTING BASE 2.4L G2

DRAWING #: 0G7578

GROUP C

APPLICABLE TO:

| ITEM | PART # | QTY. | DESCRIPTION |
|------|-------------|------|----------------------------------|
| 1 | 0G37260ST03 | 1 | WELDMENT FRAME 2.4L C2 60KW |
| 2 | 052860 | 4 | NUT FLANGED HEX M12-1.75 |
| 3 | 052251 | 4 | DAMPENER VIBRATION 40 BLUE |
| 4 | 052257 | 4 | SPACER .49 X .62 X 1.87 PWDR/ZNC |
| 5 | 052252 | 4 | DAMPENER VIBRATION |
| 6 | 052259 | 4 | WASHER FLAT M12 |
| 7 | 052891 | 4 | SCREW HHC M12-1.75 X 80 G8.8 |
| 8 | 0536210410 | 1 | ASSY WIRE 14.00" |
| 9 | 042909 | 1 | SCREW HHC M8-1.25 X 30 G8.8 |
| 10 | 047411 | 1 | SCREW HHC M6-1.0 X 16 G8.8 |
| 11 | 055414 | 1 | LUG SLDLSS #2-#8 X 17/64 CU |
| 12 | 022447 | 1 | WASHER SHAKEPROOF INT 1/4 |
| 13 | 022097 | 1 | WASHER LOCK M6-1/4 |
| 14 | 022473 | 2 | WASHER FLAT M6-1/4 ZINC |
| 15 | 049813 | 1 | NUT HEX M6 -1.0 G8 YEL CHR |
| 16 | 022261 | 1 | WASHER SHAKEPROOF INT 3/8 |
| 17 | 0F9597A | 1 | SUPPORT LH ENGINE 2.4L |
| 18 | 045764 | 1 | SCREW HHTT M4-0.7 X 8 BP |
| 19 | 062963 | 4 | SCREW HHC M10-1.25 X 30 G8.8 |
| 20 | 022302 | 5 | WASHER LOCK 7/16 |
| 21 | 022131 | 5 | WASHER FLAT 3/8-M10 ZINC |
| 22 | 065852 | 1 | SPRING CLIP HOLDER .37-.62 |
| 23 | 0F9597 | 1 | SUPPORT RH ENGINE 2.4L |
| 24 | 022129 | 1 | WASHER LOCK M8-5/16 |
| 25 | 026204 | 1 | WASHER SHAKEPROOF INT 5/16 |
| 26 | 022145 | 1 | WASHER FLAT 5/16-M8 ZINC |
| 27 | 045771 | 1 | NUT HEX M8-1.25 G8 CLEAR ZINC |
| 29 | 0F9596A | 1 | SPACER LH ENGINE MOUNT |
| 30 | 052212 | 1 | SCREW HHC M10-1.25 X 25 C8.8 |