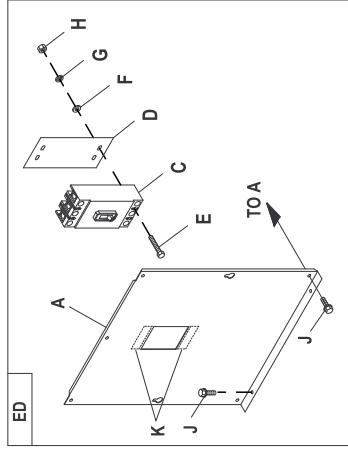
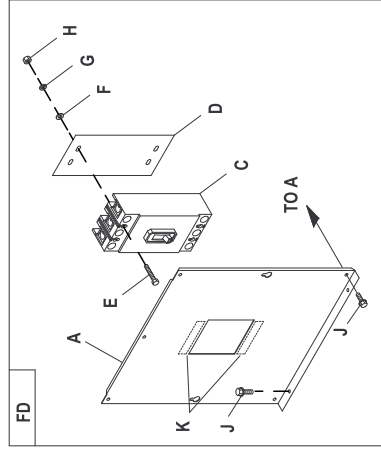


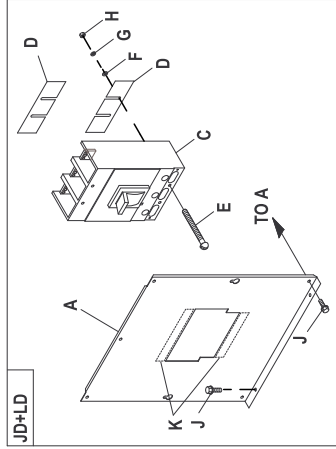
# GROUP A



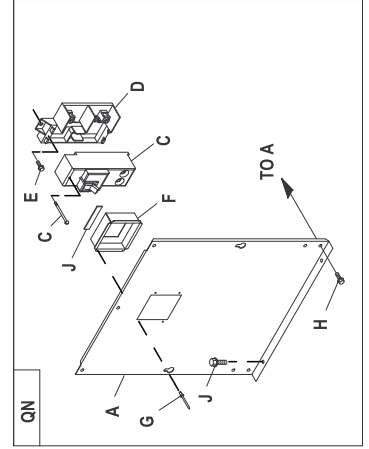
1.)



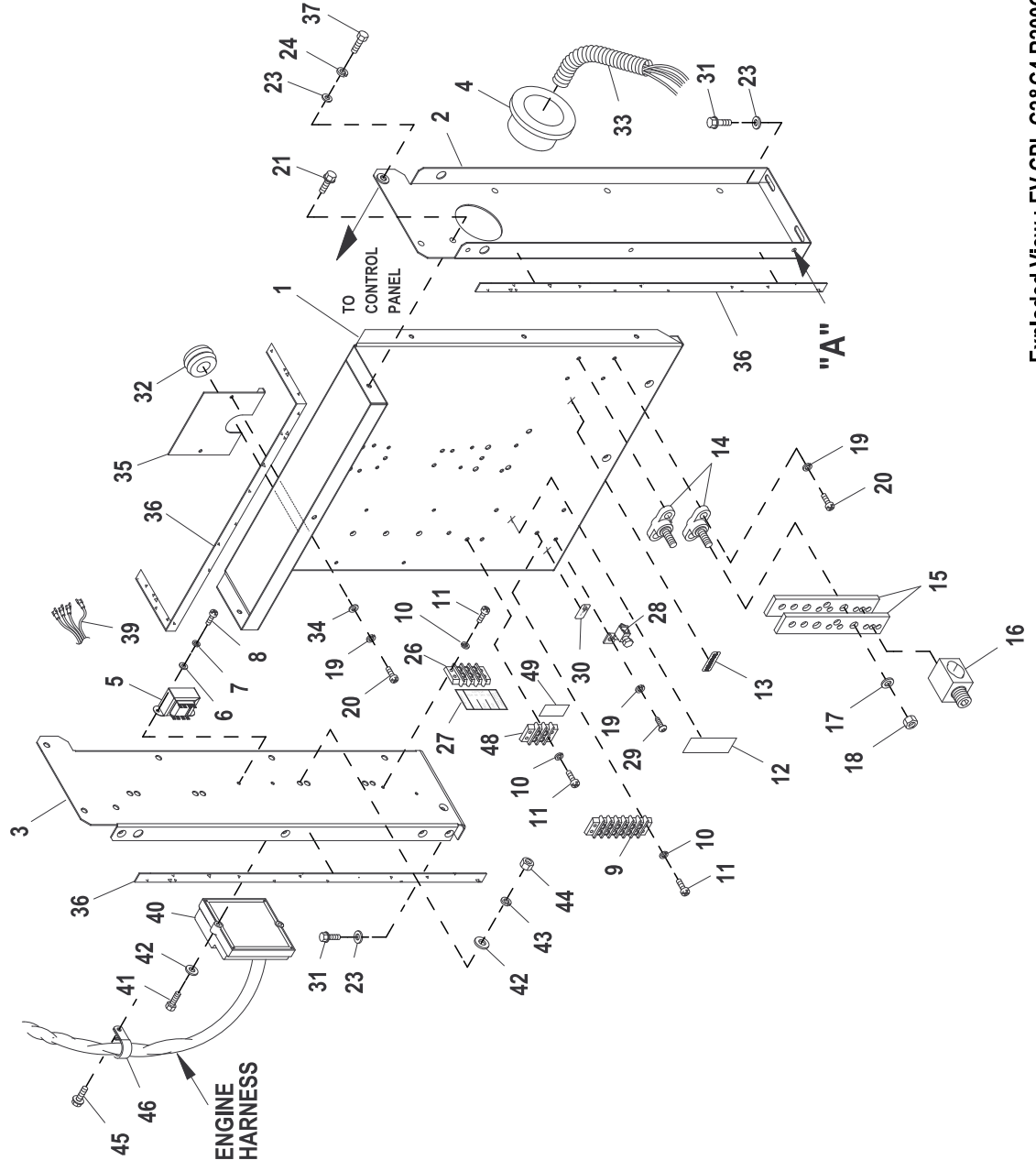
2.)



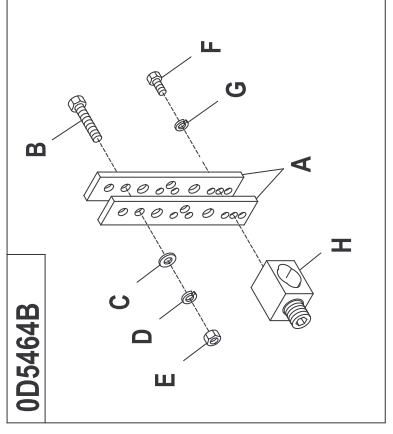
3.)



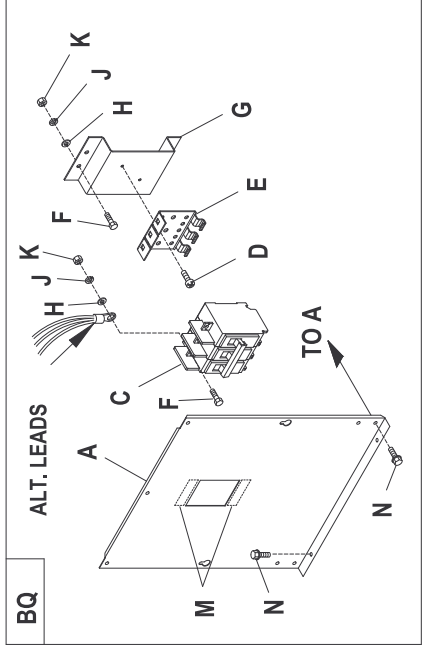
4.)



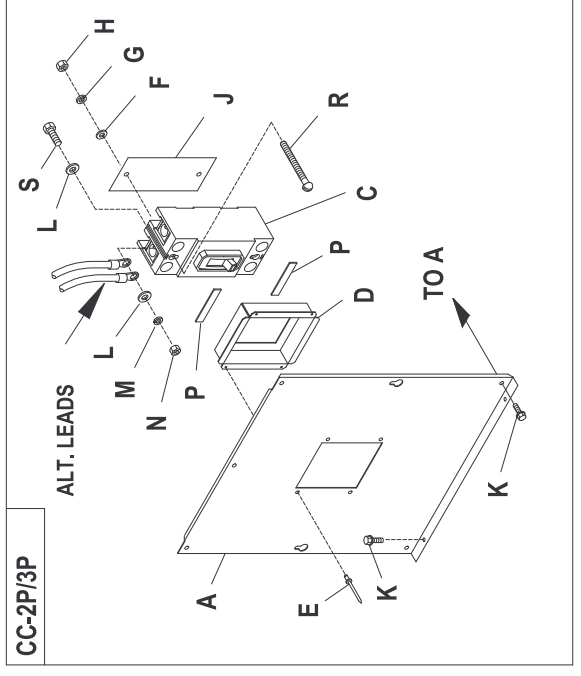
# GROUP A



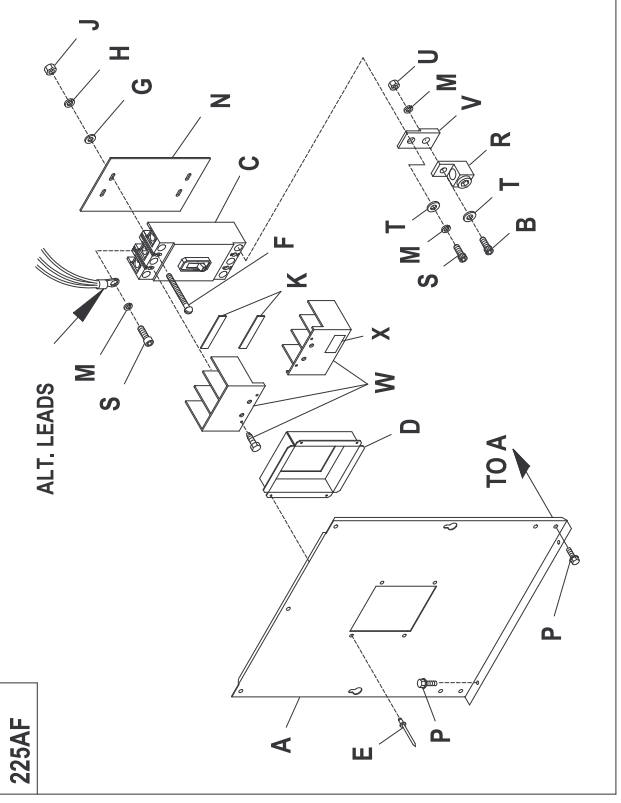
7.) 0D5464B



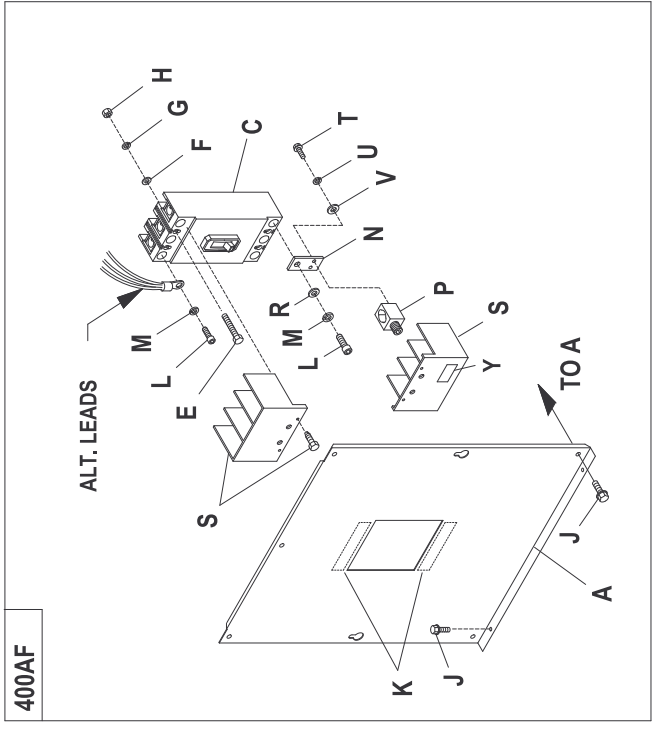
8.) BQ



9.) CC-2P/3P



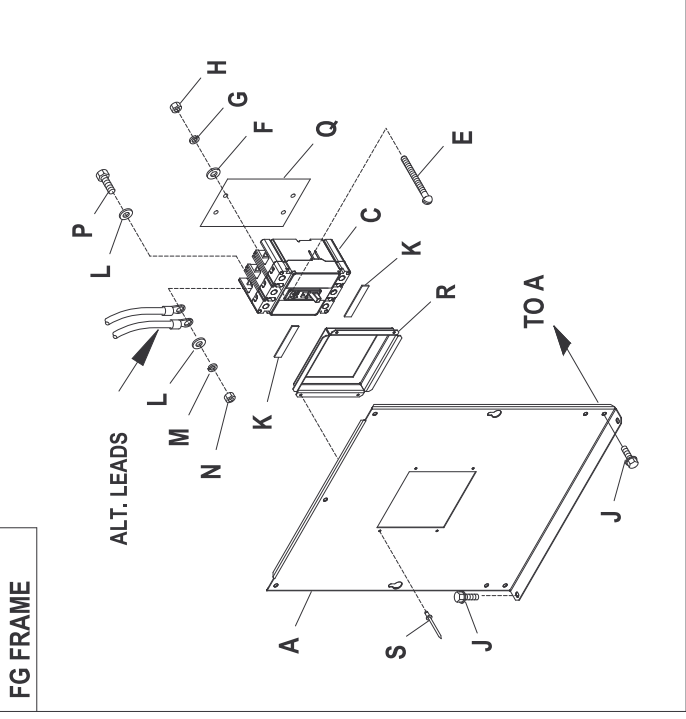
5.) 225AF



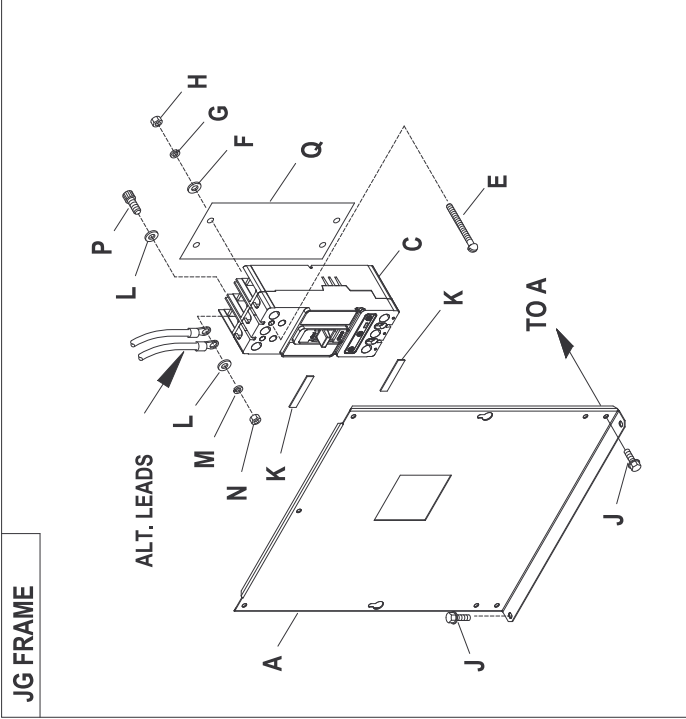
6.) 400AF

# GROUP A

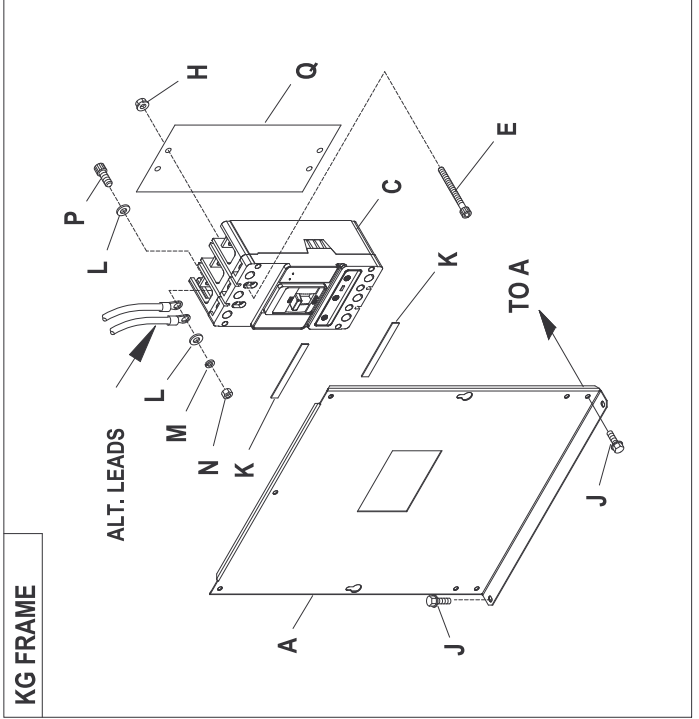
12.) FG FRAME



10.) JG FRAME



11.) KG FRAME



EXPLODED VIEW: EV CPL C2&C4 R200C CB CONN

DRAWING #: 0H1730

GROUP A

ITEM	PART#	QTY.	DESCRIPTION
PAGE 1			
1	0F3137	1	PAN CB CONN BOX
2	0F3188	1	STAND RH CONTROL
3	0F3189	1	STAND LH CONTROL
4	023484N	1	BUSHING SNAP SB-2.5-31
5	0F6366B	1	XFMR DUAL 120V/16V (FOR 120/240V & 277/480V UNITS)
	0F6366A	1	XFMR DUAL 104V/16V (FOR 120/208V UNITS)
6	043180	2	WASHER FLAT M4
7	022264	2	WASHER LOCK #8-M4
8	0C3990	2	SCREW PHTT M4-0.7 X 10 ZYC
(1) 9	046357	REF	BLOCK TERM 20A 6 X 6 X 1100V
10	022155	6	WASHER LOCK #6
11	0C2428	6	SCREW PHTT #6-32 X 1/2 ZYC
12	0G7992	1	DECAL RTS CUSTOMER CONNECTION
13	0A9457	1	DECAL NEUTRAL
14	057073	2	JUNCTION BLOCK 3/8-16
(2) 15	0D5466	REF	BUS BAR NEUTRAL BLOCK 390
(2) 16	0A7822	REF	LUG SLDLSS 600/250-1/0 X 1/4-28
17	022237	2	WASHER LOCK 3/8
18	022241	2	NUT HEX 3/8-16 STEEL
19	049226	6	WASHER LOCK M5
20	0C2266	6	SCREW PHTT M5-0.8 X 16 ZYC
21	0C2454	8	SCREW THF M6-1 X 16 N WA Z/JS
23	022473	8	WASHER FLAT 1/4-M6 ZINC
24	022097	4	WASHER LOCK M6-1/4
(1) 26	0D4698	REF	BLOCK TERM 20A 6 X 3 X 1100V
27	0H0026	1	DECAL CHARGER POWER 120VAC C2
28	025433	1	LUG SLDLSS #6-14 X 13/64 CU
29	024469	1	SCREW HHTT #10-32 X 3/8 CZ
30	067210A	1	DECAL GROUND LUG
31	0D6029	4	SCREW HHTT M6-1.0 X 16 ZYC
32	081008	1	GROMMET 1.25 X .25 X .75
33	077043J	1	CONDUIT FLEX 2.0" ID (36" LG)
34	051713	2	WASHER FLAT M5
35	0F6156	1	PLATE WIRE SNGL GALV
36	029289	1	TAPE ELEC 1/2 FOAM (AS REQ'D)
37	047411	4	SCREW HHC M6-1.0 X 16 G8.8
(3) 39	0G0770	1	HARNESS, TRANSFORMER ADAPTER
(4) 40	0H0348	1	PCB ENCLOSURE ASSY 4.2L IGN MD
(4) 41	036943	2	SCREW PPHM #10/32 X 2
(4) 42	023897	4	WASHER FLAT #10 ZINC
(4) 43	022152	2	WASHER LOCK #10
(4) 44	022158	2	NUT HEX #10-32 STEEL
45	0C2454	1	SCREW THF M6-1 X 16 N WA Z/JS
46	055934D	1	CLAMP VINYL 1.06 X .406 Z
47	0F6145	A/R	SEAL WEATHER .45"DIA
48	048766	REF	BLOCK TERM 20A 2 X 6 X 1100V
49	0G7991	1	DECAL GTS CUSTOMER CONNECTION
1)			UL CIRCUIT BREAKER (ED)
A	0F3328	1	COVER ED CB SHORT STND
C	0D5552	REF	CB 0050A 3P 480V S ED4 LL
	0D5553	REF	CB 0060A 3P 480V S ED4 LL
	0D5554	REF	CB 0070A 3P 480V S ED4 LL
	0D5556	REF	CB 0090A 3P 480V S ED4 LL
	0D9693	REF	CB 0125A 3P 480V S ED4 LL
D	0F0492	1	INSULATOR CB S (ED-3P)
E	048927	4	SCREW RHM #10-32 X 4-1/2
F	023897	4	WASHER FLAT #10 ZINC
G	022152	4	WASHER LOCK #10
H	022158	4	NUT HEX #10-32 STEEL
J	0C2454	9	SCREW THF M6-1 X 16 N WA Z/JS
K	029289	1	TAPE ELEC 1/2 FOAM (AS REQ'D)

**EXPLODED VIEW: EV CPL C2&C4 R200C CB CONN**

**DRAWING #: 0H1730**

**GROUP A**

ITEM	PART#	QTY.	DESCRIPTION
2)			UL CIRCUIT BREAKER (FD)
A	0F3138	1	COVER CB CONN BOX
C	0D5572	REF	CB 0150A 3P 600V S FD6 LL
	0D5573	REF	CB 0175A 3P 600V S FD6 LL
	0D5574	REF	CB 0200A 3P 600V S FD6 LL
	0D5575	REF	CB 0225A 3P 600V S FD6 LL
	0D5576	REF	CB 0250A 3P 600V S FD6 LL
D	0F0199	1	INSULATOR CB FD FRAME 30MIL
E	081320	4	SCREW SHC 1/4-20 X 4.5 G8.8 NZ
F	022473	4	WASHER FLAT 1/4-M6 ZINC
G	022097	4	WASHER LOCK M6-1/4
H	022127	4	NUT HEX 1/4-20 STEEL
J	0C2454	9	SCREW THF M6-1 X 16 N WA Z/JS
K	029289	1	TAPE ELEC 1/2 FOAM (AS REQ'D)
3)			UL CIRCUIT BREAKER (JD+LD)
A	0F3329	1	COVER JD/LD CB SHRT STAND
C	0D5577	REF	CB 0300A 3P 600V S JD6 LL
D	0F2353	2	INSULATOR CIRCUIT BR. JD/LD
E	022770	4	SCREW RHM 1/4-20 X 3
F	022473	4	WASHER FLAT 1/4-M6 ZINC
G	022097	4	WASHER LOCK M6-1/4
H	022127	4	NUT HEX 1/4-20 STEEL
J	0C2454	9	SCREW THF M6-1 X 16 N WA Z/JS
K	029289	1	TAPE ELEC 1/2 FOAM (AS REQ'D)
4)			UL CIRCUIT BREAKER (QN)
A	0F8135	1	COVER QN FRM CB
C	0E7283	REF	CB 0150A 2P 240V S QN2 LL
	0E7284	REF	CB 0175A 2P S QN2 LL 240V
	0E3628	REF	CB 0200A 2P 240V S QN2 LL
D	0E3664	1	BASE, QN CIRCUIT BREAKER
E	074908	2	SCREW HHTT M5-0.8 X 10 BP
F	0F8140	1	COVER QN CB DISH
G	036261	4	RIVET POP .125 X .275 SS
H	0C2454	11	SCREW THF M6-1X16 N WA Z/JS
J	029289	1	TAPE ELEC 1/2 FOAM (AS REQ'D)

- (1) ITEM INCLUDED WITH HARNESS
- (2) ITEM INCLUDED WITH 0D5464B
- (3) ITEM USED WITH EARLY MODEL 208V UNITS ONLY
- (4) ITEMS USED ON 4.2L MODELS ONLY.

**PAGE 2**

5)			UL CIRCUIT BREAKER (225AF) (2P & 3P)
A	0F4185	1	COVER CB C2-C4 (225AF)
B	058306	3	SCREW SHC M8-1.25 X 25 G12.9
C	0F4165\$	REF	CIRCUIT BREAKERS 200A FRAME (3P)
	0F4143	REF	CB 0040A 3P 480V 225AF (3P)
	0F4148	REF	CB 0125A 3P 480V G 225AF
	0F4149	REF	CB 0150A 3P 480V G 225AF
	0F4151	REF	CB 0200A 3P 480V G 225AF
	0G5247\$	REF	CB 200A FRAME G 240V (2P)
	0G5250	REF	CB 175A 2 POLE 240V 225AF (2P)
	0G4478	REF	CB 200A 2 POLE 240V 225AF (2P)
	0F4145	REF	CB 0060A 3P 480V G 225AF (3P)
D	0F4186	1	COVER CB DISH 225AF (3P)
	0F4186AGS0R	1	COVER CB DISH 225AF (2P)
E	036261	4	RIVET POP .125 X .275 SS
(2) F	053640	2/4	SCREW RHM #8-32 X 3-1/4
(2) G	038150	2/4	WASHER FLAT #8 ZINC
(2) H	022264	2/4	WASHER LOCK #8-M4
(2) J	022471	2/4	NUT HEX #8-32 STEEL
K	029289	2	TAPE ELEC 1/2 FOAM
(2) M	022129	6/9	WASHER LOCK M8-5/16
N	0F8432	1	INSULATOR CB 225AF (3P)

**EXPLODED VIEW: EV CPL C2&C4 R200C CB CONN**

**DRAWING #: 0H1730**

**GROUP A**

ITEM	PART#	QTY.	DESCRIPTION
	0F8432A	1	INSULATOR CB 225AF (2P)
P	0C2454	11	SCREW THF M6-1 X 16 N WA Z/JS
(2) R	0F8451	2/3	LUG SLDLSS 300 MCM-6 AL/CU
(2) S	049821	4/6	SCREW SHC M8-1.25 X 30 C12.9
(2) T	022145	4/6	WASHER FLAT 5/16-M8 ZINC
(2) U	045771	2/3	NUT HEX M8-1.25 G8 CLEAR ZINC
(2) V	0F8843	2/3	BUS BAR 200A LUG ADAPTOR
(1) W	W/CB	2	TERMINAL COVER CB
X	0G3259	1	DECAL TERMINAL SHOCK HZD BI
6) UL CIRCUIT BREAKER (400AF)			
A	0F4187	1	COVER CB C2-C4 400AF
C	0F4166\$	REF	CIRCUIT BREAKERS 400A FRAME
E	042419	4	SCREW RHM 10-32 X 4
F	023897	4	WASHER FLAT #10 ZINC
G	022152	4	WASHER LOCK #10
H	022158	4	NUT HEX #10-32 STEEL
J	0C2454	9	SCREW THF M6-1 X 16 N WA Z/JS
K	029289	1	TAPE ELEC 1/2 FOAM
(2) L	052647	2/3	SCREW SHC M10-1.5 X 25 G12.9
(2) M	046526	2/3	WASHER LOCK M10
N	W/CB	3	BUS BAR CB ADAPTER 225-400 A
P	0A7822	3	LUG SLDLSS 600/250-1/0 X 1/4-28
(1) S	W/CB	2	TERM COVER CB
T	023334	6	SCREW HHC 1/4-28 X 1/2 G5
U	022097	6	WASHER LOCK M6-1/4
V	022473	6	WASHER FLAT 1/4-M6 ZINC
(2) W	W/CB	2/3	SCREW SHC M10-1.5 X 25 G12.9
(2) X	W/CB	2/3	WASHER LOCK M10
Y	0G3259	1	DECAL TERMINAL SHOCK HZD BI
7) NEUTRAL BLOCK 390 / 200-400A			
A	0D5466	2	BUS BAR NEUTRAL BLOCK 390
B	039287	1	SCREW HHC M8-1.25 X 45 G8.8 FT
C	022145	1	WASHER FLAT 5/16-M8 ZINC
D	022129	1	WASHER LOCK M8-5/16
E	045771	1	NUT HEX M8-1.25 G8 YEL CHR
F	045335	2	SCREW HHC 1/4-28 X 3/4 G5
G	083896	2	WASHER LOCK 1/4-M6 SS
H	0A7822	1	LUG SLDLSS 600/250-1/0 X 1/4-28
8) UL CIRCUIT BREAKER (BQ)			
A	0G1968	1	COVER BQ CIR BREAKER CPL 3P
	0G1970	REF	COVER BQ CIR BREAKER CPL 2P
C	0A2077	REF	CB 0125A 2P 240V S BQ2 LL
	040532	REF	CB 0100A 3P 240V S BQ3 LL
D	0C3990	2	SCREW PHTT M4-0.7 X 10 ZYC
E	0E7890	1	BRKT CB MTG BACK
	0E6002	REF	MTG TRACK BQ SIEMENS CB 3P
F	022859	6	SCREW RHM #10-32 X 3/4
G	0G0008	1	BRKT BQ CB STANDOFF
H	023897	6	WASHER FLAT #10 ZINC
J	022152	6	WASHER LOCK #10
K	022158	6	NUT HEX #10-32 STEEL
M	029289	1	TAPE ELEC 1/2 FOAM
N	0C2454	11	SCREW THF M6-1 X 16 N WA Z/JS
9) UL CIRCUIT BREAKER (CC-2P/3P)			
A	0F4185	1	COVER CB C2-C4 (225AF)
C	0H4748	REF	CB 0175A 2P 240V E CC LL
	0H4749	REF	CB 0200A 2P 240V E CC LL
	0H4913	REF	CB 0100 3P 240V E CC LL
	0H4914	REF	CB 0125 3P 240V E CC LL
	0H4915	REF	CB 0150 3P 240V E CC LL
	0H4916	REF	CB 0175 3P 240V E CC LL
	0H4917	REF	CB 0200 3P 240V E CC LL
D	0H4823A	1	COVER CB DISH 2P E CC
	0H4823B	1	COVER CB DISH 3P E CC

**EXPLODED VIEW: EV CPL C2&C4 R200C CB CONN**

**DRAWING #: 0H1730**

**GROUP A**

ITEM	PART#	QTY.	DESCRIPTION
E	036261	4	RIVET POP .125 X .275 SS
(2) F	038150	2/4	WASHER FLAT #8 ZINC
(2) G	022264	2/4	WASHER LOCK #8-M4
(2) H	022471	2/4	NUT HEX #8-32 STEEL
J	0H4698	1	INSULATOR CB 2P E TYPE CC
	0H4698A	1	INSULATOR CB 3P E TYPE CC
K	0C2454	11	SCREW HWHT M6-1 X 16 N WA Z/JS
(2) L	023897	4/6	WASHER FLAT #10 ZINC
(2) M	049226	2/3	WASHER LOCK M5
(2) N	051716	2/3	NUT HEX M5-0.8 G8 CLEAR ZINC
P	029289	2	TAPE ELEC 1/2 FOAM
(2) R	053640	2/4	SCREW RHM #8-32 X 3-1/4
(2) S	052619	2/3	SCREW HHC M5-0.8 X 20 G8.8

(1) HARDWARE FOR MTG. CB TERMINAL COVERS IS SUPPLIED WITH CIRCUIT BREAKERS.

(2) QTY. REQ'D FOR "2POLE / 3POLE" BREAKER

**PAGE 3**

10)			UL CIRCUIT BREAKER (JG)
A	0H5629	1	COVER JG E CB C2 STAND
C	0H5580	REF	CB 0250 3P 600V E JG LL
E	022770	4	SCREW RHM 1/4-20 X 3
F	022473	4	WASHER FLAT 1/4-M6 ZINC
G	022097	4	WASHER LOCK M6-1/4
H	022127	2	NUT HEX 1/4-20 STEEL
J	0C2454	9	SCREW THF M6-1 X 16 N WA Z/JS
K	029289	1	TAPE ELEC 1/2 FOAM
L	022145	6	WASHER FLAT 5/16-M8 ZINC
M	022129	3	WASHER LOCK M8-5/16
N	045771	3	NUT HEX M8-1.25 G8 CLEAR ZINC
P	049897	3	SCREW SHC M8-1.25 X 20 G8
Q	0H5576A	1	INSULATOR CB E 3P JG
11)			UL CIRCUIT BREAKER (KG)
A	0H5630	1	COVER KG E CB C2 STAND
C	0H5582	REF	CB 0300 3P 600V E KG LL
E	0D2157	4	SCREW SHC M6-1.0 X 50 C8.8
H	0D3700	4	NUT FLANGE M6-1.0 NYLOK
J	0C2454	9	SCREW THF M6-1 X 16 N WA Z/JS
K	029289	1	TAPE ELEC 1/2 FOAM
L	022145	6	WASHER FLAT 5/16-M8 ZINC
M	022129	3	WASHER LOCK M8-5/16
N	045771	3	NUT HEX M8-1.25 G8 CLEAR ZINC
P	049821	3	SCREW SHC M8-1.25 X 30 C12.9
Q	0H5581A	1	INSULATOR CB E 3P KG
12)			UL CIRCUIT BREAKER (3P FG)
A	0F4185	1	COVER CB G 225AF C2-C4
C	0H5486	REF	CB 0060 3P 480V E FG LL
	0H5488	REF	CB 0080 3P 480V E FG LL
	0H5490	REF	CB 0100 3P 480V E FG LL
E	0H5721	4	SCREW PPHM #8-32 X 1-3/4 ZINC
F	038150	4	WASHER FLAT #8 ZINC
G	022264	4	WASHER LOCK #8-M4
H	022471	4	NUT HEX #8-32 STEEL
J	0C2454	9	SCREW THF M6-1 X 16 N WA Z/JS
K	029289	1	TAPE ELEC 1/2 FOAM
L	023897	6	WASHER FLAT #10 ZINC
M	049226	3	WASHER LOCK M5
N	051716	3	NUT HEX M5-0.8 G8 CLEAR ZINC
P	052619	3	SCREW HHC M5-0.8 X 20 G8.8
Q	0H4698A	1	INSULATOR CB 3P E TYPE CC/FG
R	0H5560	1	COVER CB DISH 3P E FD
S	036261	4	RIVET POP .125 X .275 SS

**EXPLODED VIEW: EV CPL C2&C4 R200C CB CONN**

**DRAWING #: 0H1730**

**GROUP A**

---

<b>ITEM</b>	<b>PART#</b>	<b>QTY.</b>	<b>DESCRIPTION</b>
-------------	--------------	-------------	--------------------

---

This page left blank intentionally