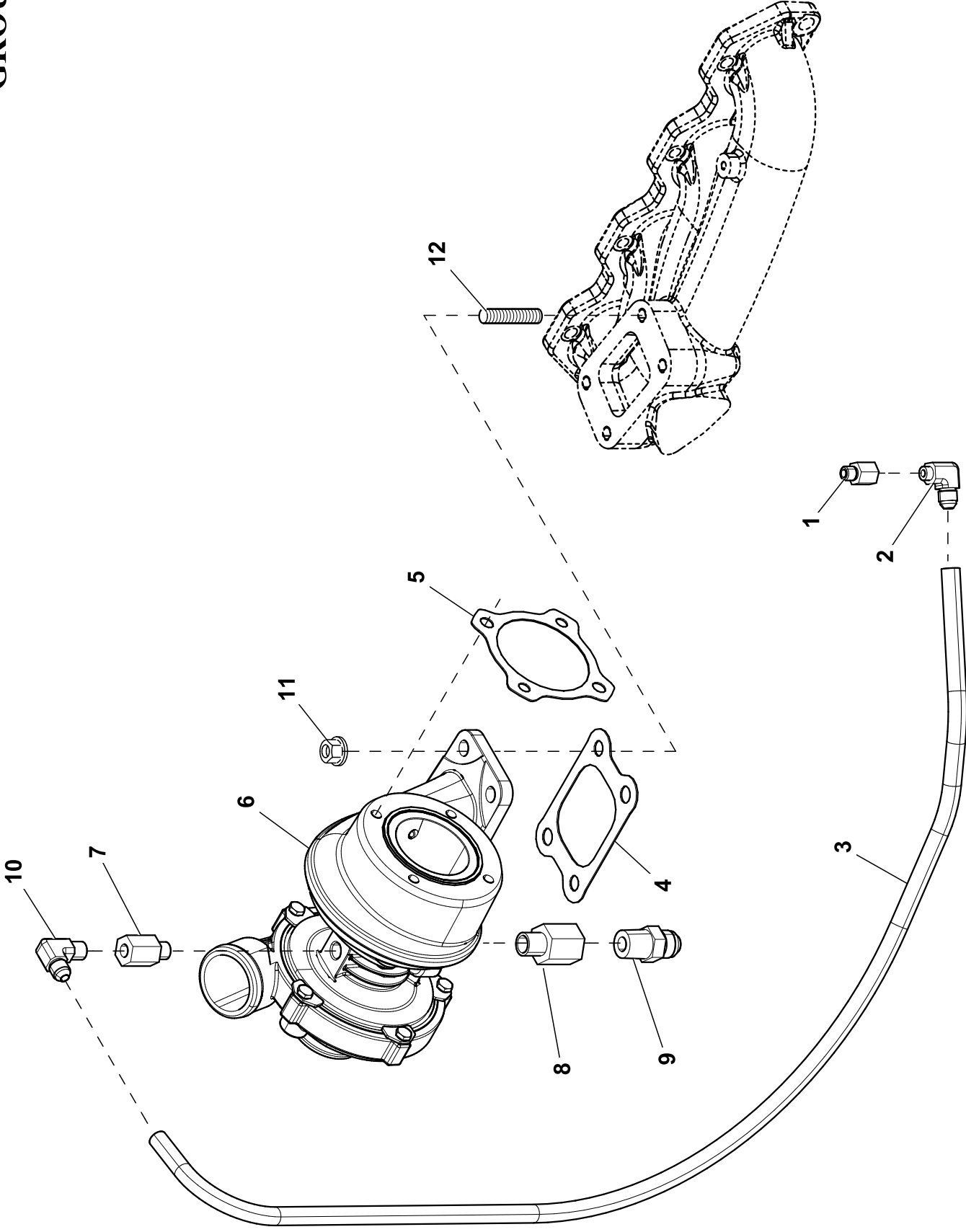


# GROUP D



**EXPLODED VIEW: TURBO 2.4L G2**

**DRAWING #: 0H3356**

**GROUP D**

**APPLICABLE TO:**

| <b>ITEM</b> | <b>PART#</b> | <b>QTY.</b> | <b>DESCRIPTION</b>             |
|-------------|--------------|-------------|--------------------------------|
| 1           | 042574       | 1           | ADAPTER 1/8NPTF TO 1/8 BSPT    |
| 2           | 064094       | 1           | MALE ELBOW 45 #49X3            |
| 3           | 064096B      | 1           | OIL SUPPLY 3LHA(38")           |
| 4           | 0G8690       | 1           | GASKET 2.4L G2                 |
| 5           | 0G8692       | 1           | GASKET 2.4L G2                 |
| 6           | 0H2811       | 1           | TURBOCHARGER G2 2.4L           |
| 7           | 0A4707B      | 1           | ADAPTER 1/4NPT X M12-1.5       |
| 8           | 0A4707F      | 1           | ADAPTER 1/2NPT X M16-1.5       |
| 9           | 0C4975       | 1           | ADAPTER 1/2 NPT X 37JIC 3/4-16 |
| 10          | 0C4973C      | 1           | ADAPTER 90D JIC37 1/4NPT X 1/2 |
| 11          | 0E5343       | 4           | NUT HEX FL WHIZ M10-1.50       |
| 12          | 0H0457       | 4           | STUD M10-1.5 X 40 G10.9        |