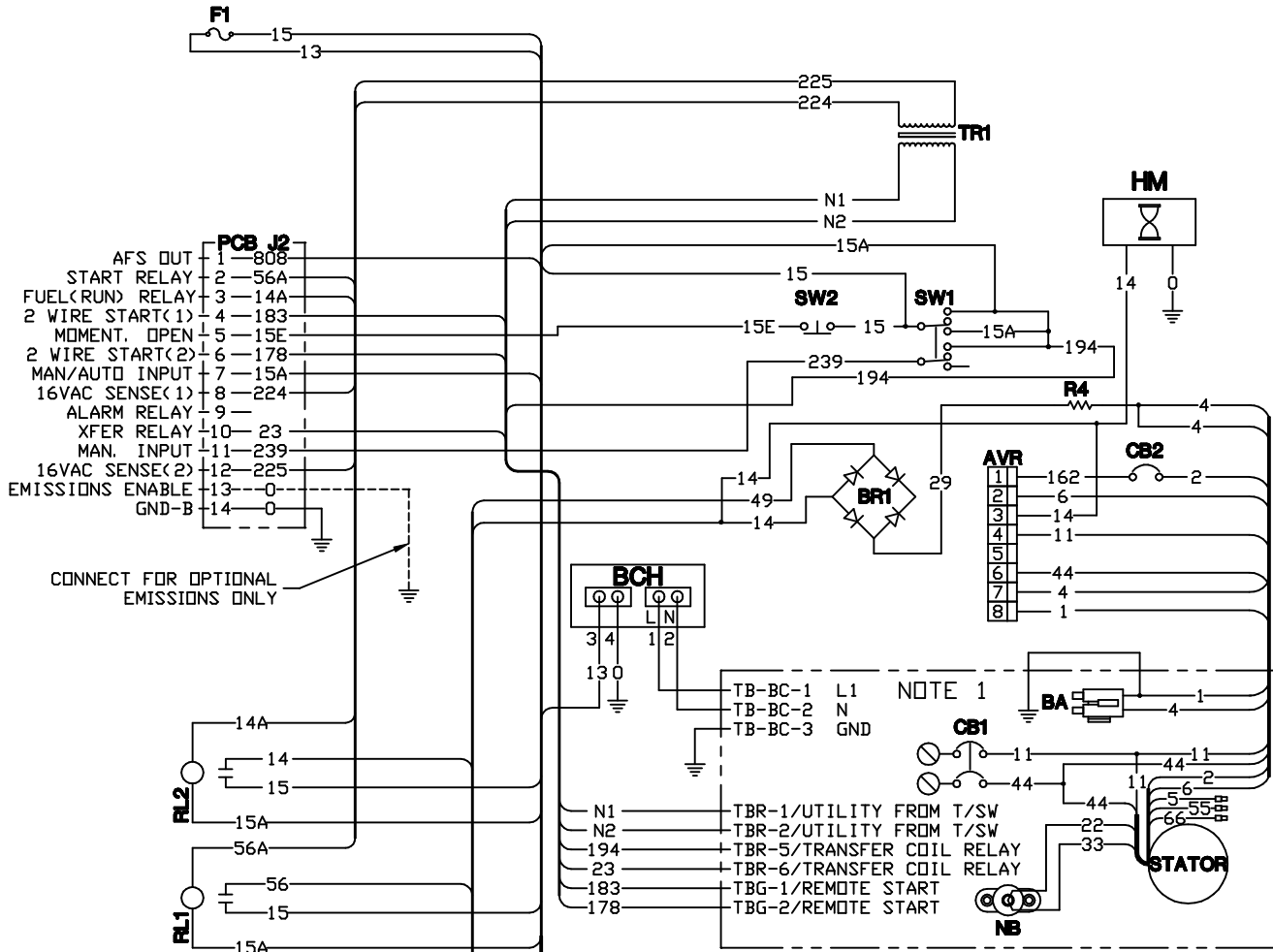


## CONTROL PANEL LEGEND

- AVR - AUTOMATIC VOLTAGE REGULATOR
- BCH - BATTERY CHARGER
- BR1 - BRIDGE RECTIFIER
- CB2 - CIRCUIT BREAKER (EXCITATION)
- F1 - FUSE BAT POWER (15A ATO TYPE)
- HM - HOUR METER
- J2 - CONNECTOR 2 (ON PCB)
- R4 - FIELD BOOST RESISTOR
- RL1 - RELAY 1 (START RELAY)
- RL2 - RELAY 2 (ENGINE RUN)
- SW1 - AUTO/OFF/MANUAL SWITCH
- SW2 - SET EXERCISER SWITCH
- TR1 - TRANSFORMER (6VA UTIL/16 VAC)

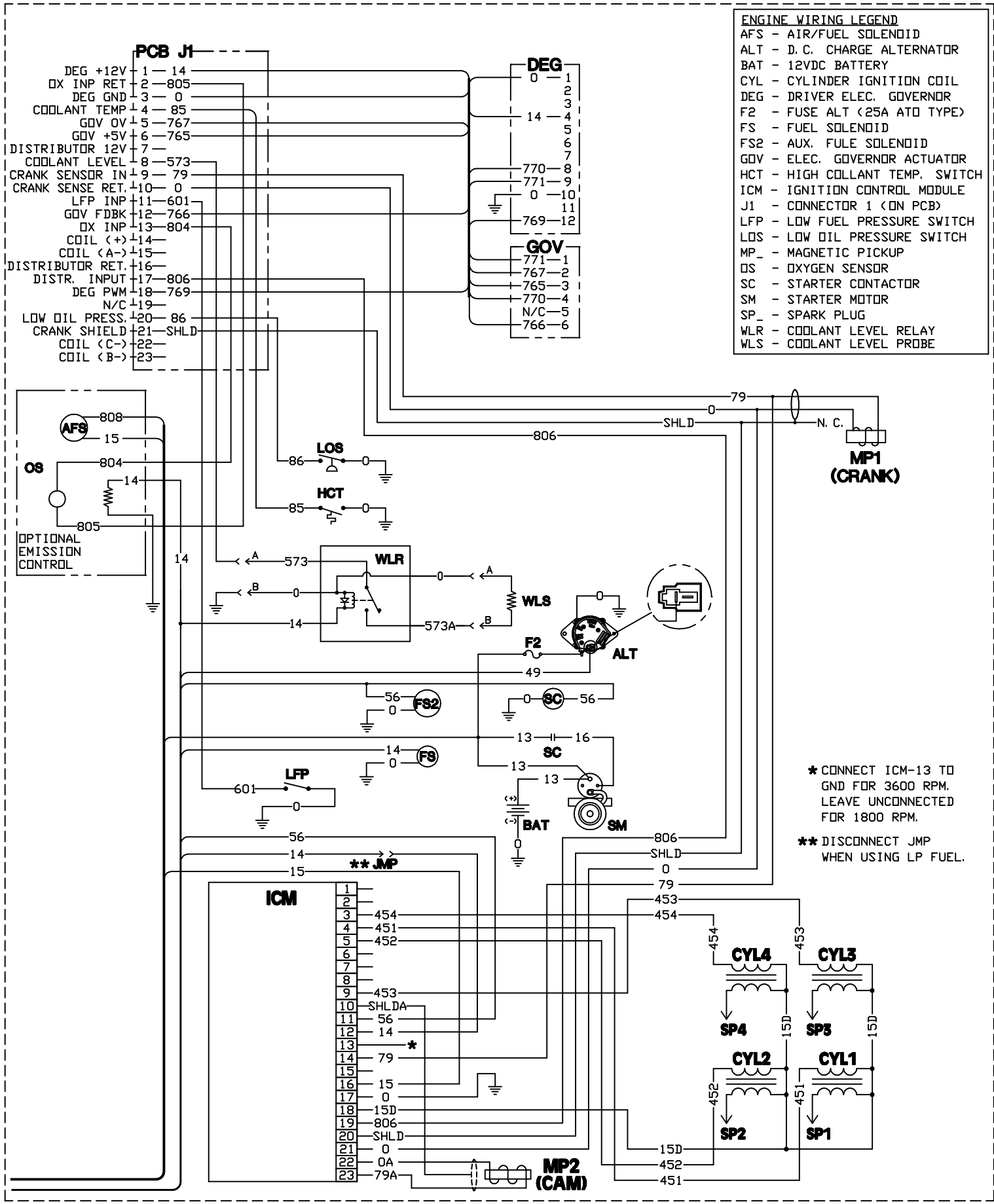


CONNECT FOR OPTIONAL EMISSIONS ONLY

NOTE 1: WIRING SHOWN FOR CB1, NB, BA AND STATOR IS TYPICAL FOR SINGLE PHASE. FOR 3-PHASE, SEE DWG #0F6839.

## CUSTOMER CONNECTION & ALTERNATOR LEGEND

- BA - BRUSH ASSEMBLY (GENERATOR)
- CB1 - MAINLINE CIRCUIT BREAKER  
240V OUTPUT TO TRANSFER SWITCH
- NB - NEUTRAL BLOCK
- TB-BC - BATTERY CHARGER TERMINAL BLOCK
- TBG - GTS CONNECT TERMINAL BLOCK
- TBR - RTS CONNECT TERMINAL BLOCK



SCHMATIC - DIAGRAM