

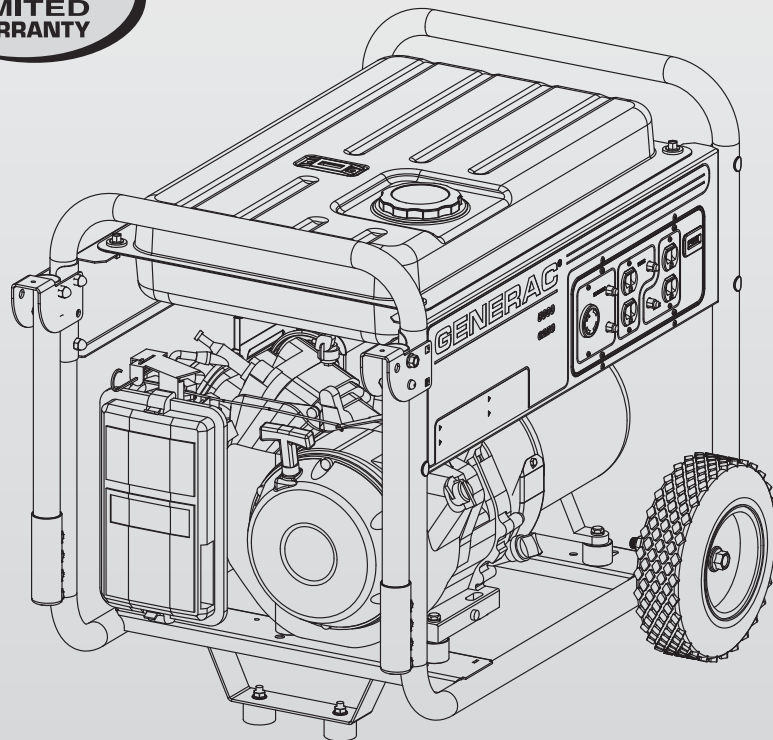
GENERAC®

**MODELS: 005688-0, 005690-0,
005738-0**

Owner's Manual

GP Series Portable Generator

**2 YEAR
LIMITED
WARRANTY**



www.generac.com or 1-888-436-3722

Table of Contents

Introduction.....	1	Maintenance	9
Read this Manual Thoroughly.....	1	3.1 Maintenance Schedule	9
Safety Rules	2	3.2 Product Specifications.....	9
Standards Index	3	3.2.1 Generator Specifications	9
		3.2.2 Engine Specifications	9
General Information.....	4	3.3 General Recommendations.....	10
1.1 Unpacking.....	4	3.3.1 Generator Maintenance	10
1.1.1 Accessory Box	4	3.3.2 To Clean the Generator.....	10
1.2 Assembly.....	4	3.3.3 Engine Maintenance.....	10
1.2.1 Assembling the Accessory Kit.....	4	3.3.4 Checking Oil Level	10
		3.3.5 Changing the Oil	10
		3.3.6 Replacing the Spark Plug	10
Operation	4	3.4 Service Air Filter.....	11
2.1 Know the Generator	4	3.5 Valve Clearance.....	11
2.2 Hourmeter.....	5	3.6 General	11
2.3 Cord Sets and Connection Plugs	6	3.7 Long Term Storage.....	11
2.3.1 120 VAC, 20 Amp, Duplex Receptacle.....	6	3.8 Other Storage Tips	11
2.3.2 120/240 VAC, 30 Amp Receptacle.....	6		
2.4 How to Use the Generator	6	Troubleshooting	12
2.4.1 Grounding the Generator	6	4.1 Troubleshooting Guide.....	12
2.4.2 Connecting Electrical Loads	6		
2.5 Don't Overload the Generator.....	7		
2.6 Wattage Reference Guide	7	Notes	13
2.7 Before Starting the Generator	7		
2.7.1 Adding Engine Oil.....	7		
2.7.2 Adding Gasoline.....	8	Warranty	14
2.8 To Start the Engine.....	8		
2.9 Stopping the Engine	9	<hr/>	
2.10 Low Oil Level Shutdown System	9	MANUAL DEL PROPIETARIO	15
2.10.1 Sensing Low Oil Level.....	9	MANUEL D'ENTRETIEN.....	31

INTRODUCTION

Thank you for purchasing this model by Generac Power Systems, Inc. This model is a compact, high performance, air-cooled, engine driven generator designed to supply electrical power to operate electrical loads where no utility power is available or in place of utility due to a power outage.

READ THIS MANUAL THOROUGHLY

If any portion of this manual is not understood, contact the nearest Authorized Dealer for starting, operating and servicing procedures.

The operator is responsible for proper and safe use of the equipment. We strongly recommend that the operator read this manual and thoroughly understand all instructions before using the equipment. We also strongly recommend instructing other users to properly start and operate the unit. This prepares them if they need to operate the equipment in an emergency. Save these instructions for future reference. If you loan this unit to someone, ALWAYS loan these instructions to the individual as well.

The generator can operate safely, efficiently and reliably only if it is properly located, operated and maintained. Before operating or servicing the generator:

- Become familiar with and strictly adhere to all local, state and national codes and regulations.
- Study all safety warnings in this manual and on the product carefully.
- Become familiar with this manual and the unit before use.

The manufacturer cannot anticipate every possible circumstance that might involve a hazard. The warnings in this manual, and on tags and decals affixed to the unit are, therefore, not all inclusive. If using a procedure, work method or operating technique that the manufacturer does not specifically recommend, ensure that it is safe for others. Also make sure the procedure, work method or operating technique utilized does not render the generator unsafe.

THE INFORMATION CONTAINED HEREIN WAS BASED ON MACHINES IN PRODUCTION AT THE TIME OF PUBLICATION. GENERAC RESERVES THE RIGHT TO MODIFY THIS MANUAL AT ANY TIME.

SAFETY RULES

Throughout this publication, and on tags and decals affixed to the generator, DANGER, WARNING, CAUTION and NOTE blocks are used to alert personnel to special instructions about a particular operation that may be hazardous if performed incorrectly or carelessly. Observe them carefully. Their definitions are as follows:

DANGER!

INDICATES A HAZARDOUS SITUATION OR ACTION WHICH, IF NOT AVOIDED, WILL RESULT IN DEATH OR SERIOUS INJURY.

WARNING!

Indicates a hazardous situation or action which, if not avoided, could result in death or serious injury.

CAUTION!


Indicates a hazardous situation or action which, if not avoided, could result in minor or moderate injury.

NOTE:

Notes contain additional information important to a procedure and will be found within the regular text body of this manual.

These safety warnings cannot eliminate the hazards that they indicate. Common sense and strict compliance with the special instructions while performing the action or service are essential to preventing accidents.

Four commonly used safety symbols accompany the **DANGER**, **WARNING** and **CAUTION** blocks. The type of information each indicates is as follows:

 **This symbol points out important safety information that, if not followed, could endanger personal safety and/or property of others.**

 **This symbol points out potential explosion hazard.**

 **This symbol points out potential fire hazard.**

 **This symbol points out potential electrical shock hazard.**

GENERAL HAZARDS

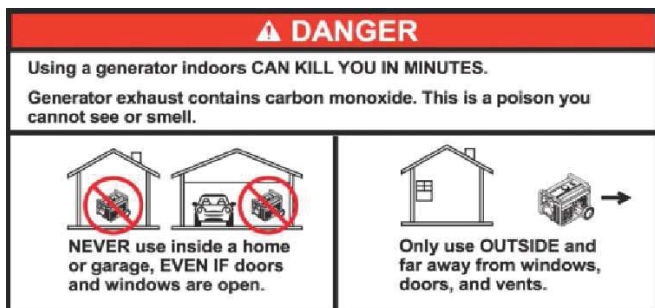
- Never operate in an enclosed area or indoors EVEN IF doors and windows are open.
- For safety reasons, the manufacturer recommends that the maintenance of this equipment is carried out by an Authorized Dealer. Inspect the generator regularly, and contact the nearest Authorized Dealer for parts needing repair or replacement.
- Operate generator only on level surfaces and where it will not be exposed to excessive moisture, dirt, dust or corrosive vapors.
- Keep hands, feet, clothing, etc., away from drive belts, fans, and other moving parts. Never remove any fan guard or shield while the unit is operating.
- Certain parts of the generator get extremely hot during operation. Keep clear of the generator until it has cooled to avoid severe burns.
- Do NOT operate generator in the rain.
- Do not alter the construction of the generator or change controls which might create an unsafe operating condition.
- Never start or stop the unit with electrical loads connected to receptacles AND with connected devices turned ON. Start the engine and let it stabilize before connecting electrical loads. Disconnect all electrical loads before shutting down the generator.
- Do not insert objects through unit's cooling slots.
- When working on this equipment, remain alert at all times. Never work on the equipment when physically or mentally fatigued.

Safety Rules

- Never use the generator or any of its parts as a step. Stepping on the unit can stress and break parts, and may result in dangerous operating conditions from leaking exhaust gases, fuel leakage, oil leakage, etc.
- On electric start models, disconnect the POSITIVE (+) battery cable from the engine starter OR the NEGATIVE (-) battery cable from the battery terminal, whichever is easier, before transporting the generator.

EXHAUST & LOCATION HAZARDS

- **NEVER use inside, or in partly enclosed areas such as garages, EVEN IF doors and windows are open! ONLY use outdoors and far from windows, doors and vents. Only use in an area that will not accumulate deadly exhaust.**



- The engine exhaust fumes contain carbon monoxide, which you cannot see or smell. This poisonous gas, if breathed in sufficient concentrations, can cause unconsciousness or even death.
- Adequate, unobstructed flow of cooling and ventilating air is critical to correct generator operation. Do not alter the installation or permit even partial blockage of ventilation provisions, as this can seriously affect safe operation of the generator. The generator MUST be operated outdoors.
- This exhaust system must be properly maintained. Do nothing that might render the exhaust system unsafe or in noncompliance with any local codes and/or standards.
- Always use a battery operated carbon monoxide alarm indoors, installed according to the manufacturers instructions.
- If you start to feel sick, dizzy, or weak after the generator has been running, move to fresh air IMMEDIATELY. See a doctor, as you could have carbon monoxide poisoning.

ELECTRICAL HAZARDS

- The generator produces dangerously high voltage when in operation. Avoid contact with bare wires, terminals, connections, etc., while the unit is running, even on equipment connected to the generator. Ensure all appropriate covers, guards and barriers are in place before operating the generator.
- Never handle any kind of electrical cord or device while standing in water, while barefoot or while hands or feet are wet. **DANGEROUS ELECTRICAL SHOCK MAY RESULT.**
- The National Electric Code (NEC) requires the frame and external electrically conductive parts of the generator be properly connected to an approved earth ground. Local electrical codes may also require proper grounding of the generator. Consult with a local electrician for grounding requirements in the area.
- Use a ground fault circuit interrupter in any damp or highly conductive area (such as metal decking or steel work).
- Do not use worn, bare, frayed or otherwise damaged electrical cord sets with the generator.
- Before performing any maintenance on the generator, disconnect the engine starting battery (if equipped) to prevent accidental start up. Disconnect the cable from the battery post indicated by a NEGATIVE, NEG or (-) first. Reconnect that cable last.
- In case of accident caused by electric shock, immediately shut down the source of electrical power. If this is not possible, attempt to free the victim from the live conductor. **AVOID DIRECT CONTACT WITH THE VICTIM.** Use a non-conducting implement, such as a rope or board, to free the victim from the live conductor. If the victim is unconscious, apply first aid and get immediate medical help.

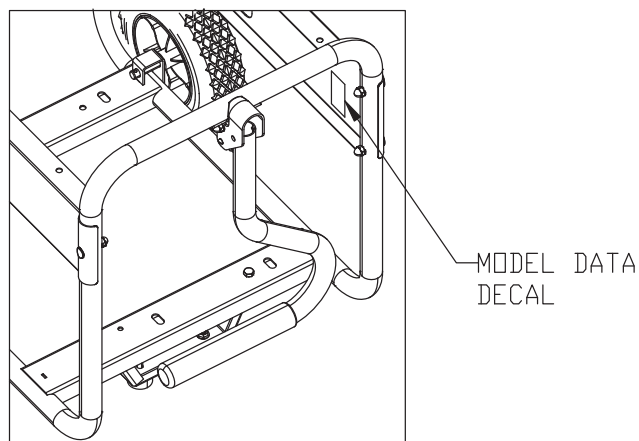
FIRE HAZARDS

- **Gasoline is highly FLAMMABLE and its vapors are EXPLOSIVE. Do not permit smoking, open flames, sparks or heat in the vicinity while handling gasoline.**
- Never add fuel while unit is running or hot. Allow engine to cool completely before adding fuel.
- **Never fill fuel tank indoors.** Comply with all laws regulating storage and handling of gasoline.
- **Do not overfill the fuel tank. Always allow room for fuel expansion.** If tank is over-filled, fuel can overflow onto a hot engine and cause FIRE or an EXPLOSION. Never store generator with fuel in tank where gasoline vapors might reach an open flame, spark or pilot light (as on a furnace, water heater or clothes dryer). FIRE or EXPLOSION may result. Allow unit to cool entirely before storage.
- Wipe up any fuel or oil spills immediately. Ensure that no combustible materials are left on or near the generator. Keep the area surrounding the generator clean and free from debris and keep a clearance of five (5) feet on all side to allow for proper ventilation of the generator.

- Do not insert objects through unit's cooling slots.
- **Do not** operate the generator if connected electrical devices overheat, if electrical output is lost, if engine or generator sparks or if flames or smoke are observed while unit is running.
- Keep a fire extinguisher near the generator at all times.

MODEL NO:	
SERIAL NO:	

Unit ID Location



STANDARDS INDEX

In the absence of pertinent standards, codes, regulations and laws, the published information listed below may be used as a guideline for operation of this equipment. Always reference the latest revision available for the standards listed.

1. NFPA No. 70, NFPA HANDBOOK OF NATIONAL ELECTRIC CODE.
2. Article X, NATIONAL BUILDING CODE, available from the American Insurance Association, 85 John Street, New York, N.Y. 10038.
3. AGRICULTURAL WIRING HANDBOOK, available from the Food and Energy Council, 909 University Avenue, Columbia, MO 65201.
4. ASAE EP-3634, INSTALLATION AND MAINTENANCE OF FARM STANDBY ELECTRICAL SYSTEMS, available from the American Society of Agricultural Engineers, 2950 Niles Road, St. Joseph, MI 49085.

CALIFORNIA PROPOSITION 65 WARNING

Engine exhaust and some of its constituents are known to the State of California to cause cancer, birth defects and other reproductive harm.

CALIFORNIA PROPOSITION 65 WARNING

This product contains or emits chemicals known to the State of California to cause cancer, birth defects and other reproductive harm.

General Information

1.1 UNPACKING

- Remove all packaging material.
- Remove separate accessory box.
- Remove the generator from carton.

1.1.1 ACCESSORY BOX

Check all contents. If any parts are missing or damaged locate an authorized dealer at 1-888-436-3722.

Contents Include:

- 1 – Owner’s Manual
- 1 - Left Handle Assembly
- 1 - Quart Oil SAE 30
- 1 - Right Handle Assembly
- 2 - Never-Flat Wheels
- 1 - Frame Foot
- 1 - Foot Support
- 1 - Hardware Bag (containing the following):
 - 2 - Rubber Feet
 - 2 - 5/16” Bolts
 - 2 - 5/16” Flat Washers
 - 4 - 5/16” Locking Flange Nuts
 - 4 - 5/16” Carriage Bolts
 - 2 - 5/16” Locking Cap Nuts
 - 2 - 1/2” Axle Bolts
 - 2 - 1/2” Locking Flange Nuts
 - 2 - 1/2” Flat Washers

1.2 ASSEMBLY

The generator requires some assembly prior to using it. If problems arise when assembling the generator, please call the Generator Helpline at 1-888-436-3722.

1.2.1 ASSEMBLING THE ACCESSORY KIT

The wheels are designed into the unit to greatly improve the portability of the generator.

NOTE:

The wheels are not intended for over-the-road use.

1. Refer to Figure 1 and install Wheels as follows:
 - Slide the 1/2” Axle Bolt through the 1/2” Flat Washer, Wheel and Wheel bracket on frame.
 - Install 1/2” Locking Flange Nuts onto 1/2” Flange Bolt.
2. Refer to Figure 1 and install Frame Foot, Foot Support and Rubber Feet as shown.
 - Slide Rubber Bumper Stud through Foot Support and Frame Foot, then install 5/16” Locking Flange Nuts.
 - Slide Frame Foot onto 5/16” Bolts; Install 5/16” Locking Flange Nuts.
3. Refer to Figure 2 and install Handles as shown.
 - Remove top Curved Head Bolts and Cap Nuts (Cap Nuts will be re-used).
 - Slide Handle Assembly over Frame Tube, aligning 2 holes.
 - Slide 5/16” Carriage Bolts through; Install 5/16” Cap Nuts.

Figure 1 – Wheel Assembly

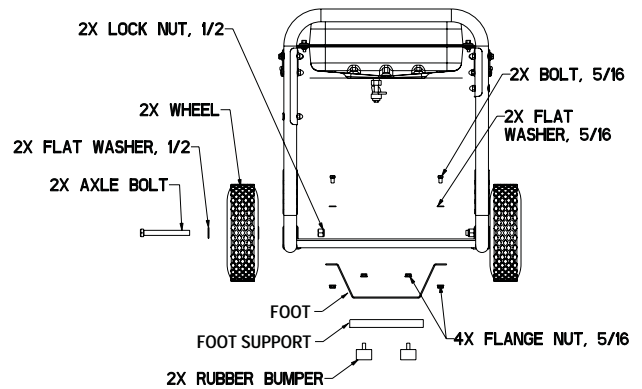
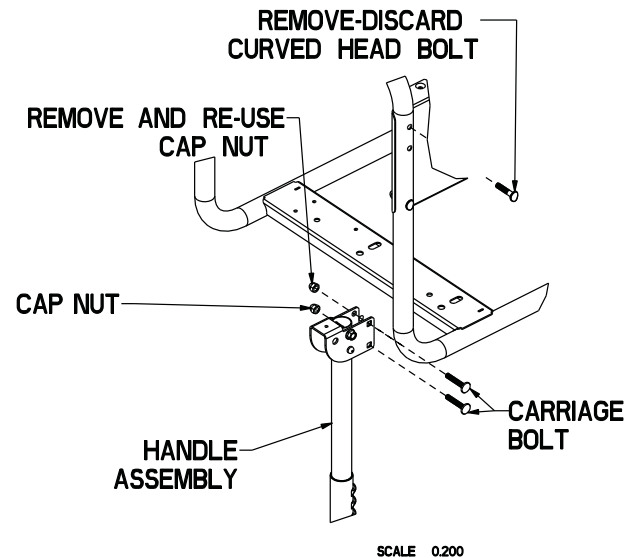


Figure 2 – Install Handle Kit



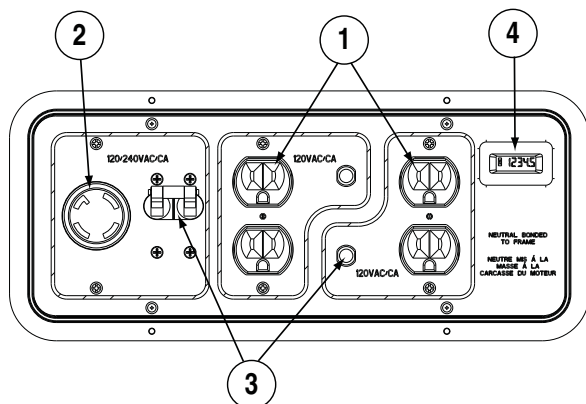
2.1 KNOW THE GENERATOR

Read the Owner’s Manual and Safety Rules before operating this generator.

Compare the generator to Figures 3 through 5 to become familiarized with the locations of various controls and adjustments. Save this manual for future reference.

1. **120 Volt AC, 20 Amp, Duplex Receptacle** – Supplies electrical power for the operation of 120 Volt AC, 20 Amp, single-phase, 60 Hz electrical lighting, appliance, tool and motor loads.
2. **120/240 Volt AC, 30 Amp Locking Receptacle** – Supplies electrical power for the operation of 120 and/or 240 Volt AC, 30 Amp, single-phase, 60 Hz, electrical lighting, appliance, tool and motor loads.
3. **Circuit Breakers (AC)** – Each receptacle is provided with a circuit breaker to protect the generator against electrical overload.

Figure 3 - Control Panel



4. **Hourmeter** – Tracks hours of operation.
5. **Air Filter** – Filters intake air as it is drawn into the engine.
6. **Choke Knob** – Used when starting a cold engine.
7. **Fuel Tank** – Tank holds 6.6 U.S. gallons of fuel.
8. **Grounding Lug** – Ground the generator to an approved earth ground here. See "Grounding the Generator" for details.
9. **Run/Stop Switch** – Controls the operation of the generator.
10. **Muffler** – Quiets the engine.
11. **Handles** – Pivot and retract for storage. Press the spring-loaded button to move handles.
12. **Gas Cap** – Fuel fill location.
13. **Fuel Gauge** – Shows fuel level in tank.
14. **Oil Fill** – Add oil here.
15. **Recoil Starter** – Use to start engine manually.
16. **Fuel Shut Off** – Valve between fuel tank and carburetor.
17. **Oil Drain** – Use to drain engine oil.

Figure 4 - Generator Controls

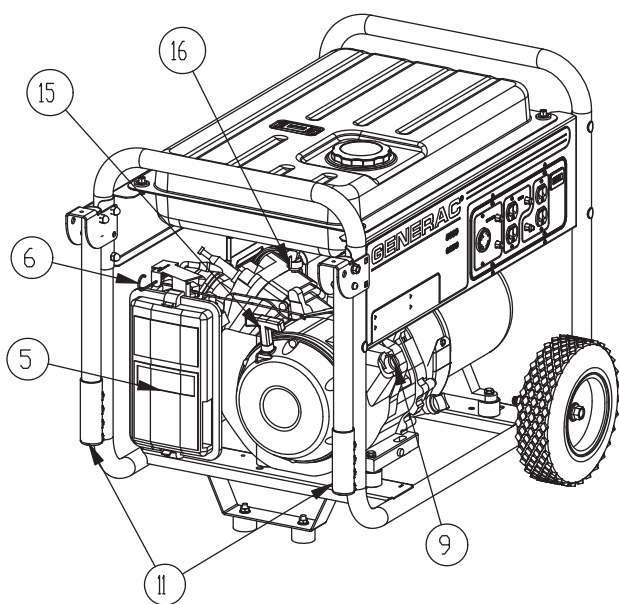
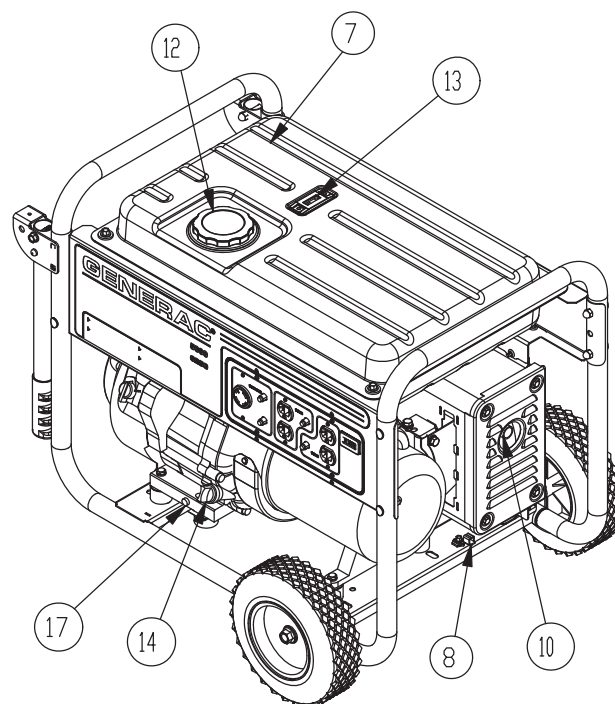


Figure 5 - Generator Controls



2.2 HOURMETER

The Hourmeter tracks hours of operation for scheduled maintenance:

There will be a "CHG OIL" message every 100 hours. The message will flash one hour before and one hour after each 100 hour interval, providing a two hour window to perform service.

This message will actually begin flashing at 99 hours and disable itself at 101 hours, again providing a two hour window to perform the service.

Every 200 hours the "SVC" icon on the lower left hand corner of the display will flash. The message will flash one hour before and one hour after each 200 hour interval providing a two hour window to perform service.

When the hour meter is in the Flash Alert mode, the maintenance message will always alternate with elapsed time in hours and tenths. The hours will flash four times, then alternate with the maintenance message four times until the meter resets itself.

- 100 hours - CHG OIL — Oil Change Interval (Every 100 hrs)
- 200 hours - SVC — Air Filter Interval (Every 200 hrs)

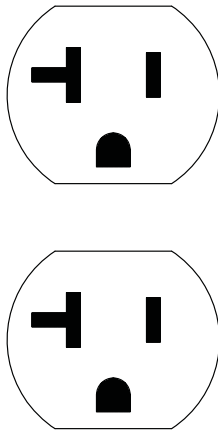
2.3 CORD SETS AND CONNECTION PLUGS

2.3.1 120 VAC, 20 AMP, DUPLEX RECEPTACLE

This is a 120 Volt outlet protected against overload by a 20 Amp push-to-reset circuit breaker (Figure 6). Use each socket to power 120 Volt AC, single phase, 60 Hz electrical loads requiring up to a combined 2400 watts (2.4 kW) or 20 Amps of current. Use only high quality, well-insulated, 3-wire grounded cord sets rated for 125 Volts at 20 Amps (or greater).

Keep extension cords as short as possible, preferably less than 15 feet long, to prevent voltage drop and possible overheating of wires.

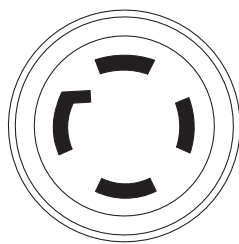
Figure 6 - 120 Volt AC, 20 Amp, Duplex Receptacle



2.3.2 120/240 VAC, 30 AMP RECEPTACLE

Use a NEMA L14-30 plug with this receptacle (rotate to lock/unlock). Connect a suitable 4-wire grounded cord set to the plug and to the desired load. The cord set should be rated for 250 Volts AC at 30 Amps (or greater) (Figure 7).

Figure 7 - 120/240 VAC, 30 Amp Receptacle



120V/240V
30A

Use this receptacle to operate 120 Volt AC, 60 Hz, single phase loads requiring up to 3600 watts (3.6 kW) of power at 30 Amps or 240 Volt AC, 60 Hz, single phase loads requiring up to 7200 watts (7.2 kW) of power at 30 Amps. The outlet is protected by 21/23/27 Amp (2-pole magnetic) circuit breakers for 5kW/5.5kW/6.5kW.

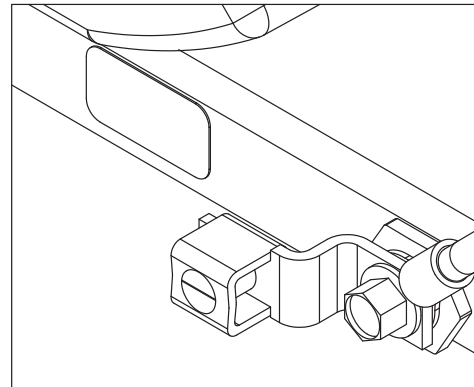
2.4 HOW TO USE THE GENERATOR

If there are any problems operating the generator, please call the generator helpline at 1-888-436-3722.

2.4.1 GROUNDING THE GENERATOR

The National Electrical Code requires that the frame and external electrically conductive parts of this generator be properly connected to an approved earth ground (Figure 8). Local electrical codes may also require proper grounding of the unit. For that purpose, connecting a No. 10 AWG (American Wire Gauge) stranded copper wire to the grounding lug and to an earth-driven copper or brass grounding rod (electrode) provides adequate protection against electrical shock. However, local codes may vary widely. Consult with a local electrician for grounding requirements in the area.

Figure 8 - Grounding the Generator



Proper grounding of the generator will help prevent electrical shock in the event of a ground fault condition in the generator or in connected electrical devices. Proper grounding also helps dissipate static electricity, which often builds up in ungrounded devices.

2.4.2 CONNECTING ELECTRICAL LOADS

DO NOT connect 240 Volt loads to 120 Volt receptacles. **DO NOT** connect 3-phase loads to the generator. **DO NOT** connect 50 Hz loads to the generator.

- Let engine stabilize and warm up for a few minutes after starting.
- Plug in and turn on the desired 120 or 240 Volt AC, single phase, 60 Hz electrical loads.
- Add up the rated watts (or amps) of all loads to be connected at one time. This total should not be greater than (a) the rated wattage/ampere capacity of the generator or (b) circuit breaker rating of the receptacle supplying the power. See "Don't Overload the Generator".

2.5 DON'T OVERLOAD THE GENERATOR

Overloading a generator in excess of its rated wattage capacity can result in damage to the generator and to connected electrical devices. Observe the following to prevent overloading the unit:

- Add up the total wattage of all electrical devices to be connected at one time. This total should NOT be greater than the generator's wattage capacity.
 - The rated wattage of lights can be taken from light bulbs. The rated wattage of tools, appliances and motors can usually be found on a data label or decal affixed to the device.
 - If the appliance, tool or motor does not give wattage, multiply volts times ampere rating to determine watts (volts x amps = watts).
 - Some electric motors, such as induction types, require about three times more watts of power for starting than for running. This surge of power lasts only a few seconds when starting such motors. Make sure to allow for high starting wattage when selecting electrical devices to connect to the generator:
1. Figure the watts needed to start the largest motor.
 2. Add to that figure the running watts of all other connected loads.

The Wattage Reference Guide is provided to assist in determining how many items the generator can operate at one time.

NOTE:

All figures are approximate. See data label on appliance for wattage requirements.

2.6 WATTAGE REFERENCE GUIDE

Device	Running Watts
*Air Conditioner (12,000 Btu)	1700
*Air Conditioner (24,000 Btu)	3800
*Air Conditioner (40,000 Btu)	6000
Battery Charger (20 Amp)	500
Belt Sander (3")	1000
Chain Saw	1200
Circular Saw (6-1/2")	.800 to 1000
*Clothes Dryer (Electric)	5750
*Clothes Dryer (Gas)	700
*Clothes Washer	1150
Coffee Maker	1750
*Compressor (1 HP)	2000
*Compressor (3/4 HP)	1800
*Compressor (1/2 HP)	1400
Curling Iron	700
*Dehumidifier	650
Disc Sander (9")	1200
Edge Trimmer	500
Electric Blanket	400
Electric Nail Gun	1200
Electric Range (per element)	1500
Electric Skillet	1250
*Freezer	700
*Furnace Fan (3/5 HP)	875
*Garage Door Opener	.500 to 750

Hair Dryer	1200
Hand Drill	.250 to 1100
Hedge Trimmer	450
Impact Wrench	500
Iron	1200
*Jet Pump	800
Lawn Mower	1200
Light Bulb	100
Microwave Oven	.700 to 1000
*Milk Cooler	1100
Oil Burner on Furnace	300
Oil Fired Space Heater (140,000 Btu)	400
Oil Fired Space Heater (85,000 Btu)	225
Oil Fired Space Heater (30,000 Btu)	150
*Paint Sprayer, Airless (1/3 HP)	600
Paint Sprayer, Airless (handheld)	150
Radio	.50 to 200
*Refrigerator	700
Slow Cooker	200
*Submersible Pump (1-1/2 HP)	2800
*Submersible Pump (1 HP)	2000
*Submersible Pump (1/2 HP)	1500
*Sump Pump	.800 to 1050
*Table Saw (10")	1750 to 2000
Television	.200 to 500
Toaster	1000 to 1650
Weed Trimmer	500

* Allow 3 times the listed watts for starting these devices.

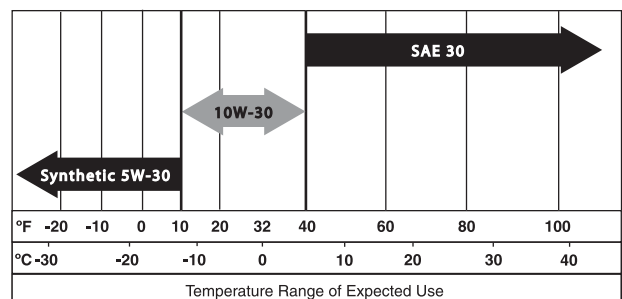
2.7 BEFORE STARTING THE GENERATOR

Prior to operating the generator, engine oil and gasoline will need to be added, as follows:

2.7.1 ADDING ENGINE OIL

All oil should meet minimum American Petroleum Institute (API) Service Class SJ, SL or better. Use no special additives. Select the oil's viscosity grade according to the expected operating temperature (also see chart).

- Above 40° F, use SAE 30
- Below 40° F and down to 10° F, use 10W-30
- Below 10° F, use synthetic 5W-30



Operation

⚠ CAUTION!

! Any attempt to crank or start the engine before it has been properly serviced with the recommended oil may result in an engine failure.

- Place generator on a level surface.
- Clean area around oil fill and remove oil fill cap and dipstick.
- Wipe dipstick clean.
- Slowly fill engine with oil through the oil fill opening until it reaches the full mark. Stop filling occasionally to check oil level. **Be careful not to over fill.**
- Install oil fill cap and finger tighten securely.
- Check engine oil level before starting each time thereafter.

2.7.2 ADDING GASOLINE

⚠ DANGER!

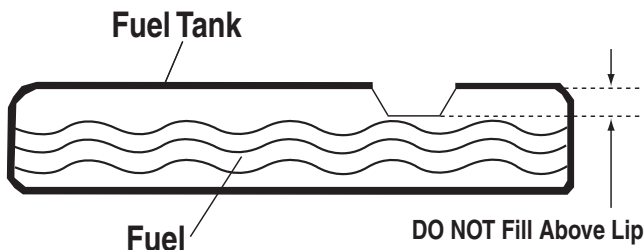
! Never fill fuel tank indoors. Avoid spilling gasoline on hot engine. Never fill fuel tank when engine is running or hot. Allow unit/engine to cool entirely before adding fuel. **DO NOT** light a cigarette or smoke when filling the fuel tank. Gasoline is highly flammable and its vapors are explosive.

⚠ CAUTION!

! Do not overfill the fuel tank. Always leave room for fuel expansion. If the fuel tank is over-filled, fuel can over flow onto hot engine and cause an explosion or fire.

- Use regular UNLEADED gasoline with the generator engine. Do not use any gasoline with more than 10% ethanol added. Do not use E85 gasoline. Do not mix oil with gasoline.
- Clean area around fuel fill cap, remove cap.
- Slowly add unleaded regular gasoline to fuel tank. Fill to bottom of screen filter. **Be careful not to overfill** (Figure 9).
- Install fuel cap and wipe up any spilled gasoline.

Figure 9 - Fuel Tank



IMPORTANT: It is important to prevent gum deposits from forming in fuel system parts such as the carburetor, fuel hose or tank during storage. Alcohol-blended fuels (called gasohol, ethanol or methanol) can attract moisture, which leads to separation and formation of acids during storage. Acidic gas can damage the fuel system of an engine while in storage. To avoid engine problems, the fuel system should be emptied before storage of 30 days or longer. See the "Storage" section. Never use engine or carburetor cleaner products in the fuel tank as permanent damage may occur.

2.8 TO START THE ENGINE

⚠ WARNING!

! Never start or stop engine with electrical devices plugged into the receptacles AND devices turned on.

- Unplug all electrical loads from the unit's receptacles before starting the engine.
- Make sure the unit is in a level position.
- OPEN the Fuel Shut-off Valve (Figures 10 and 11).

Figure 10 - Fuel Shut-off Valve

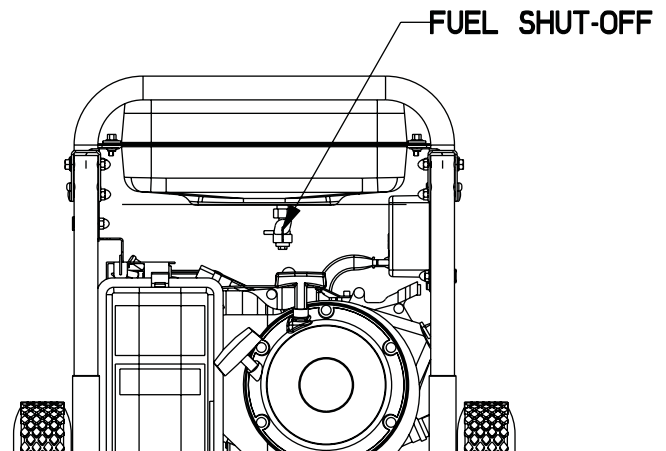
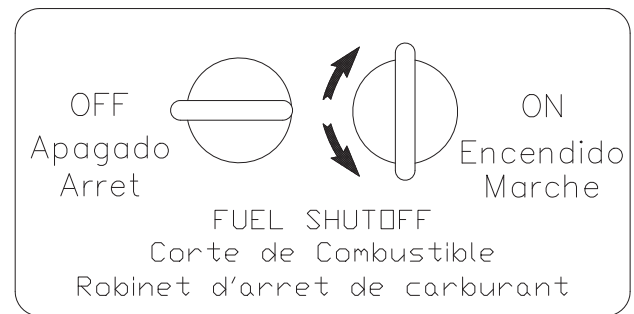


Figure 11 - Fuel Shut-off

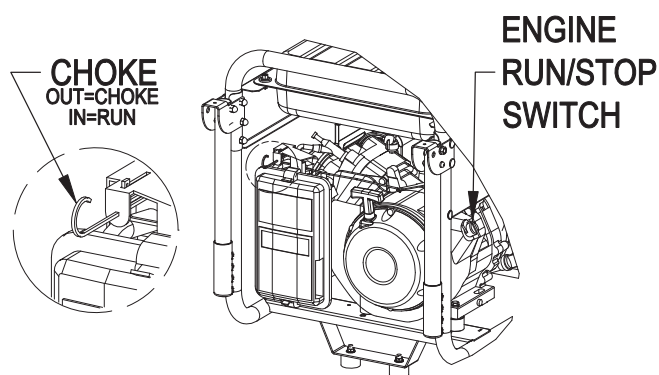


- Turn engine RUN/STOP switch to ON position (Figure 12).
- Pull engine CHOKE knob outward to FULL CHOKE position (Figure 12).
- To start engine, firmly grasp the recoil handle and pull slowly until increased resistance is felt. Pull rapidly up and away.
- When engine starts, move choke knob to 1/2-CHOKE position until engine runs smoothly and then fully into RUN position. If engine falters, move choke back out to 1/2-CHOKE position until engine runs smoothly and then to RUN position.

NOTE:

If engine fires, but does not continue to run, move choke lever to FULL CHOKE and repeat starting instructions.

Figure 12 - Choke Position



IMPORTANT: Do not overload the generator. Also, do not overload individual panel receptacles. These outlets are protected against overload with push-to-reset-type circuit breakers. If amperage rating of any circuit breaker is exceeded, that breaker opens and electrical output to that receptacle is lost. Read “Don’t Overload the Generator” carefully.

2.9 STOPPING THE ENGINE

- Shut off all loads, then unplug the electrical loads from generator panel receptacles. Never start or stop the engine with electrical devices plugged in and turned on.
- Let engine run at no-load for several minutes to stabilize the internal temperatures of engine and generator.
- Move Run/Stop switch to OFF position.
- Close fuel valve.

2.10 LOW OIL LEVEL SHUTDOWN SYSTEM

The engine is equipped with a low oil level sensor that shuts down the engine automatically when the oil level drops below a specified level. If the engine shuts down by itself and the fuel tank has enough gasoline, check engine oil level.

2.10.1 SENSING LOW OIL LEVEL

If the system senses a low oil level during operation, the engine shuts down. The engine will not run until the oil has been refilled to the proper level.

3.1 MAINTENANCE SCHEDULE

Follow the calendar intervals. More frequent service is required when operating in adverse conditions noted below.

Check Oil Level	At Each Use
Change Oil	*Every 100 hours or Every Season
Check Valve Clearance	***Every Season
Service Air Filter	** Every 200 hours or Every Season
Replace Spark Plug	Every Season

- * Change oil and oil filter every month when operating under heavy load or in high temperatures.
- ** Clean more often under dirty or dusty operating conditions. Replace air filter parts if they cannot be adequately cleaned.
- *** Check valve clearance and adjust if necessary after first 50 hours of operation and every 100 hours thereafter.

3.2 PRODUCT SPECIFICATIONS

3.2.1 GENERATOR SPECIFICATIONS

Rated. Power	5.0/5.5/6.5 kW**
Surge Power	6.25/6.88/8.0 kW
Rated AC Voltage	120/240
Rated AC Load	
Current @ 240V (5.0/5.5/6.5 kW)	20.8/22.9/27.1 Amps**
Current @ 120V (5.0/5.5/6.5 kW)	41.7/45.8/54.2 Amps**
Rated Frequency	60 Hz @ 3600 RPM
Phase	Single Phase

** Maximum wattage and current are subject to, and limited by, such factors as fuel Btu content, ambient temperature, altitude, engine condition, etc..
Maximum power decreases about 3.5% for each 1,000 feet above sea level; and will also decrease about 1% for each 6° C (10° F) above 16° C (60° F) ambient temperature.

3.2.2 ENGINE SPECIFICATIONS

Displacement	389 cc
Spark Plug Type	NHSP F7RTC or Champion RN9YC
Spark Plug Gap (5.0/6.5 kW)	0.028-0.031 inch or (0.70-0.80 mm)
Gasoline Capacity	6.6 U.S. gallons
Oil Type.....	See Chart in "Before Starting the Generator" Section
Oil Capacity	1.1 L (1.16 Qts.)
Class II Emission Certified*	

* The engine manufacturer must warrant the emission control system for a period of two years. This warranty coverage is in addition to the warranty provided by Generac, and may cover the engine even if Generac’s warranty does not.

3.3 GENERAL RECOMMENDATIONS

The warranty of the generator does not cover items that have been subjected to operator abuse or negligence. To receive full value from the warranty, the operator must maintain the generator as instructed in this manual.

Some adjustments will need to be made periodically to properly maintain the generator.

All adjustments in the Maintenance section of this manual should be made at least once each season. Follow the requirements in the "Maintenance Schedule".

NOTE:

Once a year replace the spark plug and replace the air filter. A new spark plug and clean air filter assure proper fuel-air mixture and help the engine run better and last longer.

3.3.1 GENERATOR MAINTENANCE

Generator maintenance consists of keeping the unit clean and dry. Operate and store the unit in a clean dry environment where it will not be exposed to excessive dust, dirt, moisture or any corrosive vapors. Cooling air slots in the generator must not become clogged with snow, leaves, or any other foreign material.

Check the cleanliness of the generator frequently and clean when dust, dirt, oil, moisture or other foreign substances are visible on its exterior surface.

⚠ CAUTION!

⚠ Never insert any object or tool through the air cooling slots, even if the engine is not running.

NOTE:

DO NOT use a garden hose to clean generator. Water can enter the engine fuel system and cause problems. In addition, if water enters the generator through cooling air slots, some water will be retained in voids and crevices of the rotor and stator winding insulation. Water and dirt buildup on the generator internal windings will eventually decrease the insulation resistance of these windings.

3.3.2 TO CLEAN THE GENERATOR

- Use a damp cloth to wipe exterior surfaces clean.
- A soft, bristle brush may be used to loosen caked on dirt, oil, etc.
- A vacuum cleaner may be used to pick up loose dirt and debris.
- Low pressure air (not to exceed 25 psi) may be used to blow away dirt. Inspect cooling air slots and openings on the generator. These openings must be kept clean and unobstructed.

3.3.3 ENGINE MAINTENANCE

⚠ DANGER!

⚠ When working on the generator, always disconnect negative cable from battery. Also disconnect spark plug wires from spark plug and keep wire away from spark plug.

3.3.4 CHECKING OIL LEVEL

See the "Before Starting the Generator" section for information on checking the oil level. The oil level should be checked before each use, or at least every eight hours of operation. Keep the oil level maintained.

3.3.5 CHANGING THE OIL

Change the oil every 100 hours. If running this unit under dirty or dusty conditions, or in extremely hot weather, change the oil more often.

⚠ CAUTION!

⚠ Hot oil may cause burns. Allow engine to cool before draining oil. Avoid prolonged or repeated skin exposure with used oil. Thoroughly wash exposed areas with soap.

NOTE:

Whenever possible, run engine for approximately five (5) minutes to get the engine oil hot. This will aid in draining the oil.

Use the following instructions to change the oil while the engine is still warm:

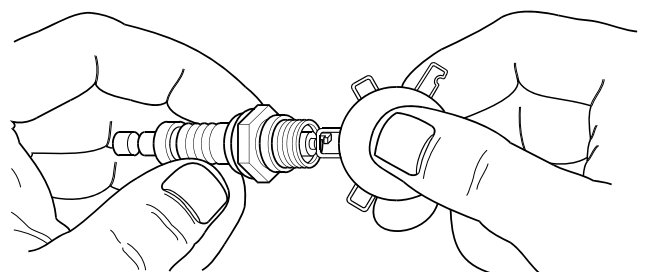
- Clean area around oil drain plug.
- Remove oil drain plug from engine and oil fill plug to drain oil completely into a suitable container.
- When oil has completely drained, install oil drain plug and tighten securely.
- Fill oil sump with recommended oil. (See "Before Starting the Generator" for oil recommendations).
- Wipe up any spilled oil.
- Dispose of used oil at a proper collection center.

3.3.6 REPLACING THE SPARK PLUG

Use Champion RN9YC spark plug or equivalent. **Replace the plug once each year.** This will help the engine start easier and run better.

1. Stop the engine and pull the spark plug wire off of the spark plug.
2. Clean the area around the spark plug and remove it from the cylinder head.
3. Set the spark plug's gap to 0.70-0.80 mm (0.028-0.031 in.). Install the correctly gapped spark plug into the cylinder head (Figure 13).

Figure 13 - Spark Plug Gap



3.4 SERVICE AIR FILTER

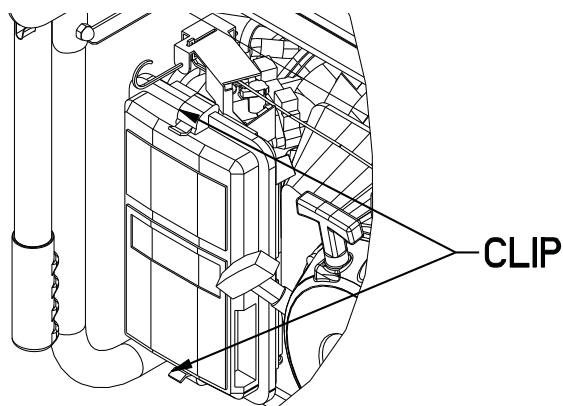
The engine will not run properly and may be damaged if using a dirty air filter. Clean the air filter every 200 hours or once a year (Figure 14). Clean or replace more often if operating under dusty conditions.

- Remove air filter cover.
- Wash in soapy water. Squeeze filter dry in clean cloth (DO NOT TWIST).
- Clean air filter cover before re-installing it.

NOTE:

To order a new air filter, please contact the nearest authorized service center at 1-888-436-3722.

Figure 14 - Air Filter



3.5 VALVE CLEARANCE

- Intake — $0.15 \pm 0.02\text{mm}$ (cold), ($0.006'' \pm 0.0008''$ inches)
- Exhaust — $0.0020 \pm 0.02\text{mm}$ (cold) ($0.008'' \pm 0.0008''$ inches)

After the first 50 hours of operation, check the valve clearance in the engine and adjust if necessary.

Important: If feeling uncomfortable about doing this procedure or the proper tools are not available, please take the generator to the nearest service center to have the valve clearance adjusted. This is a very important step to insure longest life for the engine.

3.6 GENERAL

The generator should be started at least once every seven days and be allowed to run at least 30 minutes. If this cannot be done and the unit must be stored for more than 30 days, use the following information as a guide to prepare it for storage.

⚠ DANGER!

⚠ NEVER store engine with fuel in tank indoors or in enclosed, poorly ventilated areas where fumes may reach an open flame, spark or pilot light as on a furnace, water heater, clothes dryer or other gas appliance.

3.7 LONG TERM STORAGE

It is important to prevent gum deposits from forming in essential fuel system parts such as the carburetor, fuel hose or tank during storage. Also, experience indicates that alcohol-blended fuels (called gasohol, ethanol or methanol) can attract moisture, which leads to separation and formation of acids during storage. Acidic gas can damage the fuel system of an engine while in storage.

To avoid engine problems, the fuel system should be emptied before storage of 30 days or longer, as follows:

- Remove all gasoline from the fuel tank.

⚠ DANGER!

⚠ Drain fuel into approved container outdoors, away from open flame. Be sure engine is cool. Do not smoke.

- Start and run engine until engine stops from lack of fuel.
- While engine is still warm, drain oil from crankcase. Refill with recommended grade.
- Remove spark plugs and pour about 1/2 ounce (15 ml) of engine oil into the cylinders. Cover spark plug hole with rag. Pull the recoil starter a couple times to lubricate the piston rings and cylinder bore..

⚠ CAUTION!

⚠ Avoid spray from spark plug holes when cranking engine.

- Install and tighten spark plugs. Do not connect spark plug wires.
- Clean the generator outer surfaces. Check that cooling air slots and openings on generator are open and unobstructed.
- Store the unit in a clean, dry place.

3.8 OTHER STORAGE TIPS

- Do not store gasoline from one season to another.
- Replace the gasoline can if it starts to rust. Rust and/or dirt in the gasoline will cause problems with the carburetor and fuel system.
- If possible, store the unit indoors and cover it to give protection from dust and dirt. **BE SURE TO EMPTY THE FUEL TANK.**
- If it is not practical to empty the fuel tank and the unit is to be stored for some time, use a commercially available fuel stabilizer added to the gasoline to increase the life of the gasoline.
- Cover the unit with a suitable protective cover that does not retain moisture.

⚠ DANGER!

⚠ NEVER cover the generator while engine and exhaust area are warm.

Troubleshooting

4.1 TROUBLESHOOTING GUIDE

PROBLEM	CAUSE	CORRECTION
Engine is running, but no AC output is available.	<ol style="list-style-type: none"> 1. Circuit breaker is open. 2. Poor connection or defective cord set. 3. Connected device is bad. 4. Fault in generator. 	<ol style="list-style-type: none"> 1. Reset circuit breaker. 2. Check and repair. 3. Connect another device that is in good condition. 4. Contact Authorized Service Facility.
Engine runs good but bogs down when loads are connected.	<ol style="list-style-type: none"> 1. Short circuit in a connected load. 2. Generator is overloaded. 3. Engine speed is too slow. 4. Shorted generator circuit. 	<ol style="list-style-type: none"> 1. Disconnect shorted electrical load. 2. See "Don't Overload the Generator" . 3. Contact Authorized Service Facility. 4. Contact Authorized Service Facility.
Engine will not start; or starts and runs rough.	<ol style="list-style-type: none"> 1. Fuel shut-off is OFF. 2. Dirty air filter. 3. Out of gasoline. 4. Stale gasoline. 5. Spark plug wire not connected to spark plug. 6. Bad spark plug. 7. Water in gasoline. 8. Overchoking. 9. Low oil level. 10. Excessive rich fuel mixture. 11. Intake valve stuck open or closed. 12. Engine has lost compression. 	<ol style="list-style-type: none"> 1. Turn fuel shut-off ON. 2. Clean or replace air filter. 3. Fill fuel tank. 4. Drain fuel tank and fill with fresh fuel. 5. Connect wire to spark plug. 6. Replace spark plug. 7. Drain fuel tank; fill with fresh fuel. 8. Put choke knob to No Choke position. 9. Fill crankcase to proper level. 10. Contact Authorized Service Facility. 11. Contact Authorized Service Facility. 12. Contact Authorized Service Facility.
Engine shuts down during operation.	<ol style="list-style-type: none"> 1. Out of gasoline. 2. Low oil level. 3. Fault in engine. 	<ol style="list-style-type: none"> 1. Fill fuel tank. 2. Fill crankcase to proper level. 3. Contact Authorized Service Facility.
Engine lacks power.	<ol style="list-style-type: none"> 1. Load is too high. 2. Dirty air filter. 3. Engine needs to be serviced. 	<ol style="list-style-type: none"> 1. Reduce load (see "Don't Overload the Generator"). 2. Clean or replace air filter. 3. Contact Authorized Service Facility.
Engine "hunts" or falters.	<ol style="list-style-type: none"> 1. Choke is opened too soon. 2. Carburetor is running too rich or too lean. 	<ol style="list-style-type: none"> 1. Move choke to halfway position until engine runs smoothly. 2. Contact Authorized Service Facility.

Warranty

GENERAC POWER SYSTEMS “TWO YEAR” LIMITED WARRANTY FOR GP SERIES PORTABLE GENERATORS

For a period of two years from the date of original sale, Generac Power Systems, Inc. (Generac) warrants its GP Series generators will be free from defects in materials and workmanship for the items and period set forth below. Generac will, at its option, repair or replace any part which, upon examination, inspection and testing by Generac or a Generac Authorized Warranty Service Dealer, is found to be defective. Any equipment that the purchaser/owner claims to be defective must be returned to and examined by the nearest Generac Authorized Warranty Service Dealer. All transportation costs under the warranty, including return to the factory, are to be borne and prepaid by the purchaser/owner. This warranty applies only to Generac GP Series portable generators and is not transferable from original purchaser. Save your proof-of-purchase receipt. If you do not provide proof of the initial purchase date, the manufacturer's shipping date of the product will be used to determine the warranty period.

WARRANTY SCHEDULE

Consumer applications are warranted for two (2) years. Commercial and Rental applications are warranted for one (1) year or 1000 hours maximum, whichever comes first.

CONSUMER APPLICATION

YEARS ONE and TWO - 100% (one hundred percent) coverage on Labor and Part(s) listed (proof of purchase and maintenance is required):

- Engine- All Components
- Alternator- All Components

COMMERCIAL/RENTAL APPLICATION

YEAR ONE – 100% (one hundred percent) coverage on Labor and Part(s) listed (proof of purchase and maintenance is required):

- Engine- All Components
- Alternator- All Components

NOTE: For the purpose of this warranty “consumer use” means personal residential household or recreational use by original purchaser. This warranty does not apply to units used for Prime Power in place of utility where utility power service is present or where utility power service does not normally exist. Once a generator has experienced commercial or rental use, it shall thereafter be considered a non-consumer use generator for the purpose of this warranty.

All warranty expense allowances are subject to the conditions defined in Generac's Warranty Policies, Procedures and Flat Rate Manual.

THIS WARRANTY SHALL NOT APPLY TO THE FOLLOWING:

- Generac built portable generators built prior to May 2008.
- Generac portable generators that utilize non-Generac replacement parts.
- Costs of normal maintenance and adjustments.
- Failures caused by any contaminated fuels, oils or lack of proper oil levels.
- Repairs or diagnostics performed by individuals other than Guardian/Generac authorized dealers not authorized in writing by Generac Power Systems.
- Failures due, but not limited, to normal wear and tear, accident, misuse, abuse, negligence or improper use. As with all mechanical devices, the Generac engines need periodic part(s) service and replacement to perform as designed. This warranty will not cover repair when normal use has exhausted the life of a part(s) or engine.
- Failures caused by any external cause or act of God, such as collision, theft, vandalism, riot or wars, nuclear holocaust, fire, freezing, lightning, earth-quake, windstorm, hail, volcanic eruption, water or flood, tornado or hurricane.
- Damage related to rodent and/or insect infestation.
- Products that are modified or altered in a manner not authorized by Generac in writing.
- Any incidental, consequential or indirect damages caused by defects in materials or workmanship, or any delay in repair or replacement of the defective part(s).
- Failure due to misapplication.
- Telephone, cellular phone, facsimile, internet access or other communication expenses.
- Living or travel expenses of person(s) performing service, except as specifically included within the terms of a specific unit warranty period.
- Expenses related to “customer instruction” or troubleshooting where no manufacturing defect is found.
- Rental equipment used while warranty repairs are being performed.
- Overnight freight or special shipping costs for replacement part(s).
- Overtime, holiday or emergency labor.
- Starting batteries, fuses, light bulbs and engine fluids.

THIS WARRANTY IS IN PLACE OF ALL OTHER WARRANTIES, EXPRESSED OR IMPLIED. SPECIFICALLY, GENERAC MAKES NO OTHER WARRANTIES AS TO THE MERCHANTABILITY OR FITNESS FOR A PARTICULAR PURPOSE. Any implied warranties allowed by law shall be limited in duration to the terms of the express warranty provided herein. Some states do not allow limitations on how long an implied warranty lasts, so the above limitation may not apply to you. GENERAC'S ONLY LIABILITY SHALL BE THE REPAIR OR REPLACEMENT OF PART(S) AS STATED ABOVE. IN NO EVENT SHALL GENERAC BE LIABLE FOR ANY INCIDENTAL OR CONSEQUENTIAL DAMAGES, EVEN IF SUCH DAMAGES ARE A DIRECT RESULT OF GENERAC'S NEGLIGENCE. Some states do not allow the exclusion or limitation of incidental or consequential damages, so the above limitation may not apply to you. This warranty gives you specific legal rights. You also have other rights from state to state.

GENERAC POWER SYSTEMS, INC.
P.O. BOX 8 • Waukesha, WI 53187

Ph: (888) GENERAC (436-3722) • Fax: (262) 544-4851

To locate the nearest Authorized Dealer visit our website www.generac.com

Part No. 0G9451

Revision E (05/19/10)

MODELOS: 005688-0, 005690-0,
005738-0

Manual del propietario

Generadores portátiles serie GP

GARANTÍA
LIMITADA
2 AÑOS

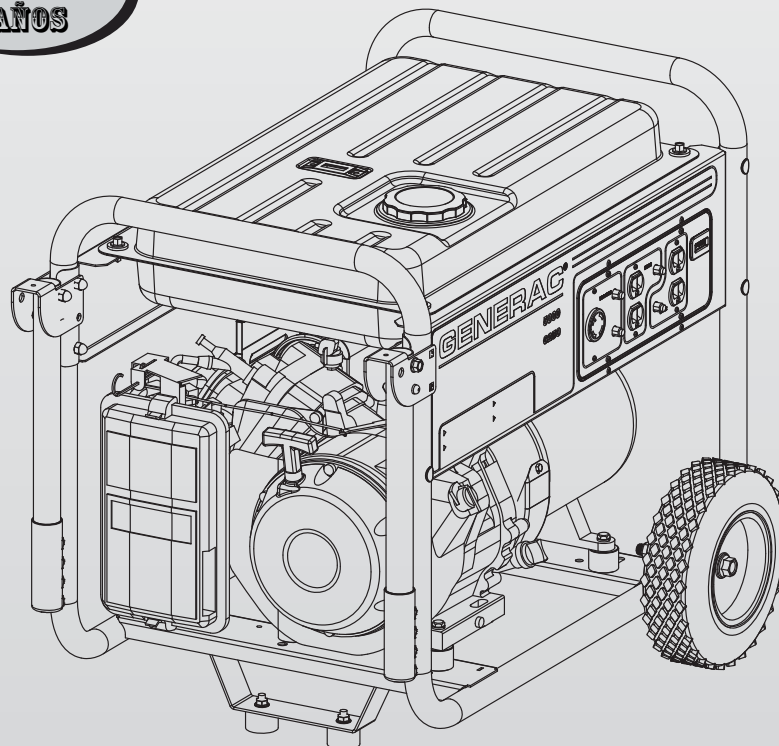


Tabla de contenidos

Introducción	17	Mantenimiento	25
Lea este manual completamente	17	3.1 Programación de mantenimiento	25
Reglas de seguridad	17	3.2 Especificaciones del producto	25
Índice de estándares	19	3.2.1 Especificaciones del generador	25
		3.2.2 Especificaciones del motor	25
Información general	20	3.3 Recomendaciones generales	25
1.1 Cómo Desempacar	20	3.3.1 Mantenimiento del generador	26
1.1.1 Caja de accesorios	20	3.3.2 Limpieza del generador	26
1.2 Ensamblaje	20	3.3.3 Mantenimiento del motor	26
1.2.1 Ensamblaje del kit de accesorios	20	3.3.4 Revisión del nivel de aceite	26
		3.3.5 Cambio del aceite	26
		3.3.6 Cambio de la bujía	26
Operación	20	3.4 Servicio del filtro de aire	26
2.1 Conozca el generador.....	20	3.5 Abertura de la válvula.....	27
2.2 Contador horario	21	3.6 General	27
2.3 Juegos de cables y enchufes de conexión.....	22	3.7 Almacenaje por períodos largos	27
2.3.1 Tomacorriente dúplex de 120 VAC, 20 Amp	22	3.8 Otros consejos útiles para el almacenaje.....	27
2.3.2 Tomacorriente de 120/240 VAC, 30 Amp	22		
2.4 Cómo utilizar el generador.....	22	Detección de fallas	28
2.4.1 Conexión a tierra del generador.....	22	4.1 Guía para la solución de problemas.....	28
2.4.2 Conexión de las cargas eléctricas	22		
2.5 No sobrecargue el generador.....	23	Notas	29
2.6 Guía de referencia del vataje.....	23		
2.7 Antes de arrancar el generador.....	23	Garantía	30
2.7.1 Cómo añadir aceite al motor	23		
2.7.2 Cómo añadir gasolina	24		
2.8 Cómo arranque el motor	24		
2.9 Cómo Parar el motor	25		
2.10 Sistema de apagado por bajo nivel de aceite	25		
2.10.1 Sensor de bajo nivel de aceite.....	25		

INTRODUCCIÓN

Gracias por comprar este modelo de Generac Power Systems, Inc. Este modelo es un generador impulsado por motor, refrigerado por aire, compacto y de alto rendimiento diseñado para proporcionar energía eléctrica para operar cargas eléctricas donde no haya servicio público de electricidad o en reemplazo de la red eléctrica en caso de apagones.

LEA ESTE MANUAL COMPLETAMENTE

Si alguna parte de este manual no se entiende bien, póngase en contacto con el concesionario autorizado más cercano para conocer los procedimientos de arranque, operación y servicio.

El operador es responsable del uso apropiado y seguro de este equipo. Recomendamos encarecidamente que el operador lea este manual y entienda completamente todas las instrucciones antes de usar este equipo. Asimismo recomendamos con igual firmeza el instruir a otros usuarios para arrancar y operar apropiadamente la unidad. Esto los prepara si necesitan operar el equipo en alguna emergencia.

El generador puede operar en forma segura, eficiente y confiable sólo si se le ubica, se le opera y mantiene en forma apropiada. Antes de operar o dar servicio al generador:

- Familiarícese y adhiérase estrictamente a todos los códigos y regulaciones locales, estatales y nacionales.
- Estudie todas las advertencias de seguridad en este manual y en el producto con mucho cuidado.
- Familiarícese con este manual y la unidad antes de usarla.

El fabricante no puede anticipar todas las posibles circunstancias que puedan involucrar peligros. Las advertencias en este manual y en las etiquetas y calcomanías fijadas en la unidad son, por tanto, no completamente inclusivas. Si se usa un procedimiento, método de trabajo o técnica de operación que el fabricante no recomienda específicamente, asegúrese de que sea seguro para los demás. Asimismo asegúrese que el procedimiento, método de trabajo o técnica de operación utilizada no vuelva inseguro al generador.

LA INFORMACIÓN CONTENIDA AQUÍ SE BASÓ EN MÁQUINAS EN PRODUCCIÓN AL MOMENTO DE LA PUBLICACIÓN. GENERAC SE RESERVA EL DERECHO DE MODIFICAR ESTE MANUAL EN CUALQUIER MOMENTO.

REGLAS DE SEGURIDAD

A lo largo de esta publicación, y en lo que respecta a las etiquetas y calcomanías fijadas en el generador, los bloques de PELIGRO, ADVERTENCIA, CUIDADO Y NOTA se usan para alertar al personal sobre instrucciones especiales sobre una operación en particular que puede ser peligrosa si se ejecuta en forma incorrecta o sin cuidado. Obsérvelas con cuidado. Sus definiciones son como sigue:

PELIGRO

INDICA UNA SITUACIÓN PELIGROSA O ACCIÓN QUE, SI NO SE EVITA, TRAERÁ COMO RESULTADO LA MUERTE O UN DAÑO SERIO.

ADVERTENCIA

Indica una situación peligrosa o acción que, si no se evita, podría traer como resultado la muerte o un daño serio.

▲CUIDADO


Indica una situación peligrosa o acción que, si no se evita, puede traer como resultado un daño menor o moderado.

NOTA:

Las notas contienen información adicional importante para un procedimiento y se les encontrará dentro del cuerpo de este manual.

Estas advertencias de seguridad no pueden eliminar los peligros que indican. El sentido común y un estricto cumplimiento de las instrucciones especiales cuando se realiza la acción o servicio son esenciales para evitar accidentes.

Cuatro símbolos de seguridad usados comúnmente acompañan los bloques de **PELIGRO**, **ADVERTENCIA** y **CUIDADO**. El tipo de información que cada uno indica es como sigue:

 **Este símbolo señala importante información de seguridad que, si no se sigue, puede poner en peligro la seguridad personal y/o las propiedades de otros.**

 **Este símbolo indica un peligro potencial de explosión.**

 **Este símbolo indica un peligro potencial de incendio.**

 **Este símbolo indica un peligro potencial de choque eléctrico.**

PELIGROS GENERALES

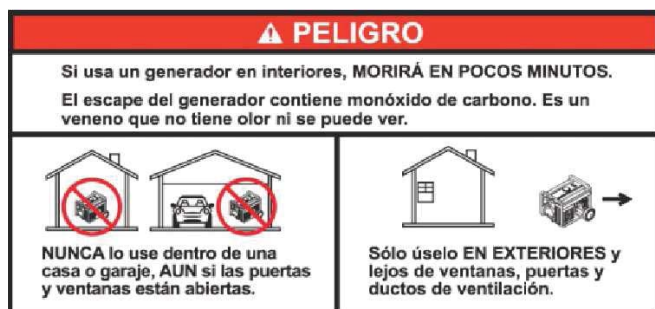
- Nunca opere en áreas cerradas o interiores.
- Por razones de seguridad, el fabricante recomienda que el mantenimiento de este equipo sea llevado a cabo por un concesionario autorizado. Inspeccione el generador con regularidad, y póngase en contacto con el concesionario autorizado más cercano si necesita repararlo o conseguir repuestos.
- Opere el generador sólo en superficies planas y donde no esté expuesto a excesiva humedad, suciedad, polvo o vapores corrosivos.
- Mantenga las manos, pies, ropa, etc, lejos de las correas de tracción, ventiladores y otras partes móviles. Nunca retire ninguna protección o escudo de ventilador mientras la unidad esté operando.
- Ciertas partes del generador se calientan en extremo durante la operación. Aléjese del generador hasta que se haya enfriado para evitar quemaduras severas.
- NO opere el generador en la lluvia.
- No altere la construcción del generador ni cambie los controles de modo que puedan crear una condición de operación no segura.
- Nunca arranque o detenga la unidad con cargas eléctricas conectadas a las tomas Y con dispositivos conectados y encendidos. Arranque el motor y deje que se establezca antes de conectar las cargas eléctricas. Desconecte todas las cargas eléctricas antes de apagar el generador.
- No inserte objetos a través de las ranuras de enfriamiento de la unidad.
- Al trabajar con este equipo, manténgase alerta en todo momento. Nunca trabaje en el equipo cuando esté física o mentalmente fatigado.

Reglas de seguridad

- Nunca use el generador ni alguna de sus partes como escalón. Pararse sobre la unidad puede tensar y romper partes, y puede traer como resultado condiciones peligrosas de operación como escape de gases, combustible o aceite.
- En los modelos de arranque eléctrico, desconecte el cable de batería POSITIVO (+) del arrancador del motor O el cable de batería NEGATIVO (-) del terminal de la batería, lo que sea más fácil, antes de transportar el generador.

PELIGROS DEL ESCAPE Y UBICACIÓN

- **iNunca use dentro de, o en áreas parcialmente cerradas tales como garajes, aun cuando las puertas y ventanas están abiertas! Sólo el uso al aire libre y lejos de ventanas, puertas y respiraderos. Sólo debe usarse en entornos donde no se acumulen de escape mortales.**



- Los humos del escape del motor contienen monóxido de carbono, que no se puede oler ni ver. Este gas venenoso, si se aspira en concentraciones suficientes, puede hacerle perder la conciencia y causarle la muerte.
- El flujo adecuado y sin obstrucciones de aire para ventilación y refrigeración es crítico para la correcta operación del generador. No altere la instalación ni permita que haya siquiera un bloqueo parcial de la provisión de ventilación, ya que esto puede afectar seriamente la operación segura del generador. El generador DEBE ser operado en exteriores.
- Este sistema de escape debe tener un apropiado mantenimiento. No haga nada que pueda poner en peligro la seguridad del escape o que no cumpla con algún código local o estándar.
- Siempre use una alarma de monóxido de carbono operada con baterías en los interiores, instalada de acuerdo a las instrucciones del fabricante.
- Si empieza a sentirse mal, mareado o débil luego de que el generador esté en funcionamiento, busque aire fresco INMEDIATAMENTE. Vaya al médico, ya que podría tener envenenamiento por monóxido de carbono.

PELIGROS ELÉCTRICOS

- El generador produce alto voltaje peligroso durante la operación. Evite el contacto con cables pelados, terminales conexiones, etc. mientras la unidad está funcionando, aún con equipo conectado al generador. Asegúrese que todas las cubiertas, protecciones y barreras apropiadas se encuentren en su lugar antes de operar el generador.
- Nunca manipule ningún cable eléctrico ni dispositivo mientras esté de pie sobre agua, con los pies descalzos o con las manos o pies húmedos. **PUEDE HABER UNA DESCARGA ELÉCTRICA COMO RESULTADO.**
- El Código Eléctrico Nacional (NEC) requiere que el marco y las partes externas que son conductores eléctricos estén conectadas apropiadamente a una conexión a tierra aprobada. Los códigos eléctricos locales pueden asimismo requerir una apropiada conexión a tierra del generador. Consulte con un electricista local los requerimientos de conexión a tierra para su área.
- Use un circuito interruptor de falla de tierra en cualquier área húmeda o altamente conductiva (como estanterías de metal o trabajos en acero).
- No use cables eléctricos gastados, pelados, deshilachados o de algún modo dañados con el generador.
- Antes de realizar cualquier mantenimiento al generador, desconecte los cables de arranque del motor (si los hubiera) para evitar un arranque accidental. Desconecte primero el cable del borne de la batería indicado como NEGATIVO, NEG; o (-). Reconecte ese cable al final.
- En caso de un accidente causado por descarga eléctrica, apague inmediatamente la fuente de energía eléctrica. Si esto no es posible, intente liberar a la víctima del conductor vivo. **EVITE EL CONTACTO DIRECTO CON LA VÍCTIMA.** Use un implemento no conductivo, como una soga o una tabla, para liberar a la víctima del conductor vivo. Si la víctima está inconsciente, aplique los primeros auxilios y consiga ayuda médica inmediatamente.

PELIGROS DE INCENDIO

- **La gasolina es altamente INFLAMABLE y sus vapores son EXPLOSIVOS. No permita que fumen, haga fuegos abiertos, chispas o calor en la vecindad mientras manipula gasolina.**
- Nunca añada gasolina mientras la unidad está funcionando o está caliente. Deje enfriar al motor completamente antes de añadir combustible.
- **Nunca llene el tanque de combustible en el interior de la casa.** Cumpla todas las leyes que regulan el almacenamiento y manipulación de gasolina.
- **No sobrecargue el tanque de combustible. Deje siempre espacio para la expansión del combustible.** Si el tanque está sobrecargado, el combustible puede desparramarse sobre el motor caliente y causar un INCENDIO o una EXPLOSIÓN. Nunca almacene el generador con combustible en el tanque donde los vapores de la gasolina pueden alcanzar llamas abiertas, chispas o fuegos piloto (como en una chimenea, calentador de agua o secador de ropa). Puede generarse un INCENDIO o una EXPLOSIÓN. Deje enfriar la unidad completamente antes de almacenarse.
- Limpie cualquier derrame de combustible o aceite inmediatamente. Asegúrese de que no haya materiales combustible dejados sobre o cerca del generador. Mantenga el área alrededor del generador limpia y libre de residuos y conserve una claridad de cinco (5) pies a todos los lados para permitir una ventilación apropiada para el generador.
- No inserte objetos a través de las ranuras de enfriamiento de la unidad.
- **No opere el generador si los dispositivos eléctricos conectados sobrecalientan, si la salida eléctrica se pierde, si el motor o el generador bota chispas o se observa humo mientras la unidad está funcionando.**
- Tenga un extinguidor cerca al generador en todo momento.

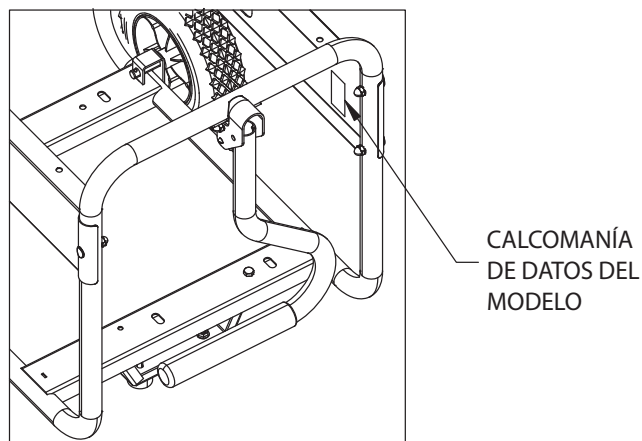
ÍNDICE DE ESTÁNDARES

En ausencia de los estándares, códigos, regulaciones o leyes pertinentes, la información publicada listada abajo puede usarse como guía para la operación de este equipo. Siempre consulte la revisión más reciente aplicable para el estándar listado.

1. NFPA No. 70, NFPA HANDBOOK OF NATIONAL ELECTRIC CODE.
2. Article X, NATIONAL BUILDING CODE, disponible en la American Insurance Association, 85 John Street, New York, N.Y. 10038.
3. AGRICULTURAL WIRING HANDBOOK, disponible en la Food and Energy Council, 909 University Avenue, Columbia, MO 65201.
4. ASAE EP-3634, INSTALLATION AND MAINTENANCE OF FARM STANDBY ELECTRICAL SYSTEMS, disponible en la American Society of Agricultural Engineers, 2950 Niles Road, St. Joseph, MI 49085.

MODELO N°:	
N° DE SERIE:	

Ubicación del IP de la unidad



ADVERTENCIA PROPOSICIÓN 65 DE CALIFORNIA

El Estado de California sabe que el escape del motor y algunos de sus componentes causan cáncer, defectos de nacimiento y otros daños reproductivos.

ADVERTENCIA PROPOSICIÓN 65 DE CALIFORNIA

Este producto contiene o emite químicos que el Estado de California sabe que causan cáncer, defectos de nacimiento u otros daños reproductivos.

1.1 CÓMO DESEMPACAR

- Retire todos los materiales de embalaje.
- Retire la caja de accesorios que viene separada.
- Retire el generador de la caja.

1.1.1 CAJA DE ACCESORIOS

Revise todo el contenido. Si faltan partes o están dañadas, ubique un distribuidor autorizado llamando al 1-888-436-3722.

El contenido incluye:

- 1 - Manual del propietario
- 2 - Ruedas macizas
- 1 - Soporte de la pata
- 1 - Cuarto de galón (0,9 l) de aceite SAE 30
- 1 - Bolsa de herrajes (contiene lo siguiente):
 - 2 - Patas de goma
 - 2 - Arandelas planas de 5/16"
 - 4 - Pernos cabeza de hongo de 5/16"
 - 2 - Tuercas de bloqueo con capuchón de 5/16"
 - 2 - Pernos del eje de 1/2"
 - 2 - Tuercas de bloqueo con capuchón de 5/16"
 - 2 - Tuercas de bloqueo, 1/2" c/brida
- 1 - Ensamble de manija izquierda
- 1 - Ensamble de manija derecha
- 1 - Pata de la estructura
- 4 - Tuercas de bloqueo, 5/16" c/brida

1.2 ENSAMBLAJE

El generador requiere cierto ensamblaje para poder utilizarlo. Si surgen problemas al ensamblar el generador, llame a la línea de ayuda del generador al 1-888-436-3722.

1.2.1 ENSAMBLAJE DEL KIT DE ACCESORIOS

Las ruedas están diseñadas dentro de la unidad para mejorar significativamente la capacidad de transporte del generador.

NOTA:

Las ruedas no están diseñadas para uso en carretera.

1. Refiérase a la Figura 1 e instale las ruedas como sigue:
 - Deslice el perno del eje de 1/2" a través de la arandela plana de 1/2", la rueda y el soporte de la rueda en la estructura.
 - Instale las tuercas de bloqueo de 1/2" con brida en el perno con brida de 1/2".
2. Refiérase a la Figura 1 e instale la pata de la estructura, el soporte de la pata y la pata de goma como se ilustra.
 - Deslice el vástago de la pata de goma a través de la pata de la estructura y del soporte de la pata. Coloque tuercas de bloqueo de 5/16" con brida. Deslice el perno de 5/16" a través de la arandela plana de 5/16" y luego a través de los agujeros en el larguero de la estructura.
 - Deslice la pata de la estructura en los pernos de 5/16"; coloque las tuercas de bloqueo de 5/16" con brida.
3. Refiérase a la Figura 2 e instale las manijas como sigue:
 - Retire los pernos superiores de cabeza curva y las tuercas de capuchón (las tuercas de capuchón se reutilizarán).
 - Deslice el ensamble de manija sobre el tubo de la estructura, alineando los dos agujeros.
 - Introduzca los pernos cabeza de hongo de 5/16"; coloque las tuercas de capuchón de 5/16".

Figura 1 – Ensamblaje de las ruedas

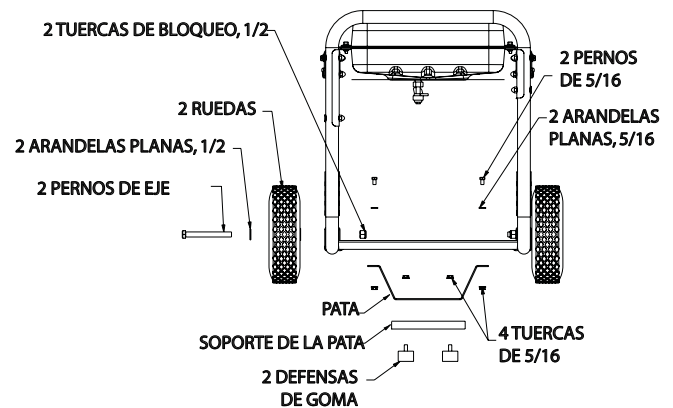
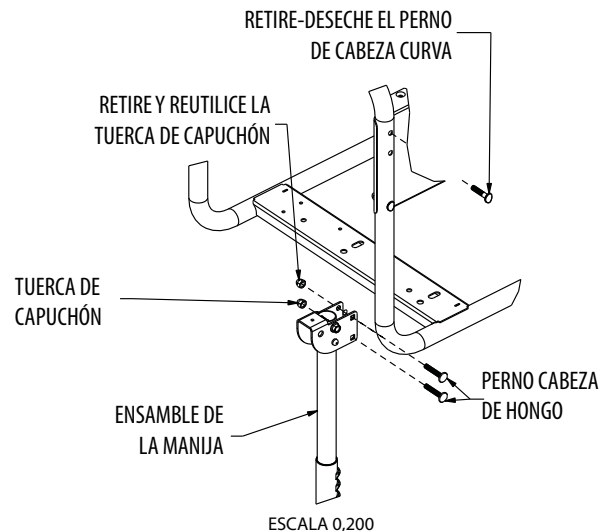


Figura 2 – Instalación del kit de manija



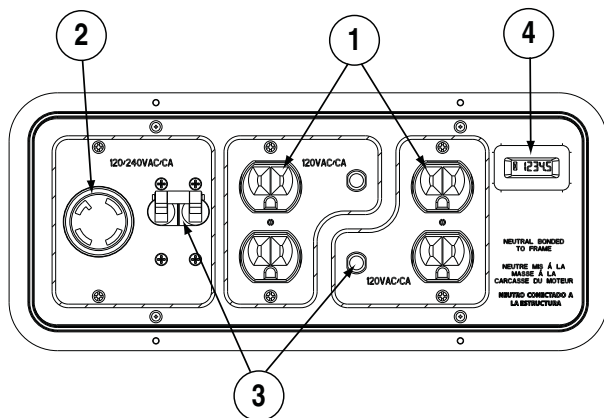
2.1 CONOZCA EL GENERADOR

Lea el manual del usuario y las reglas de seguridad antes de utilizar el generador.

Compare el generador con las figuras 3 a la 5 para familiarizarse con la ubicación de varios controles y ajustes. Guarde este manual para referencia futura.

1. **Tomacorriente dúplex de 120 voltios AC, 20 Amp** – Suministra energía eléctrica para el funcionamiento de la iluminación eléctrica, electrodomésticos, herramientas y cargas de motor de 120 voltios AC, 20 Amp, monofásica, 60 Hz.
2. **Tomacorriente de seguridad de 120/240 voltios AC, 30 Amp** – Suministra energía eléctrica para el funcionamiento de la iluminación eléctrica, electrodomésticos, herramientas y cargas de motor de 240 voltios AC, 30 Amp, monofásica, 60 Hz.
3. **Interruptores de circuito (AC)** – Cada tomacorriente tiene un interruptor de circuito del tipo "presione para reiniciar" para proteger al generador contra sobrecarga eléctrica.

Figura 3 - Panel de control



4. **Contador horario** – Lleva la cuenta de las horas de funcionamiento.
5. **Filtro de aire** – Filtra la toma de aire según penetra al motor.
6. **Perilla reguladora de flujo** – Se utiliza para arrancar un motor frío.
7. **Tanque de combustible** – El tanque tiene una capacidad de 6,6 galones EE.UU. (25 l) de combustible.
8. **Terminal de conexión a tierra** – Conecte aquí el generador a una conexión a tierra aprobada. Refiérase a la sección “Conexión a tierra del generador” para más información.
9. **Interruptor para encendido/apagado** – Controla el funcionamiento del generador.
10. **Silenciador** – Contribuye a disminuir el ruido del motor.
11. **Manijas** – Pivotan y se repliegan para almacenaje. Presione el botón de resorte para mover las manijas.
12. **Tapa de gasolina** – Conducto para llenar combustible.
13. **Medidor de gasolina** – Muestra el nivel de combustible del tanque.
14. **Conducto para aceite** – Añada aceite aquí.
15. **Arranque por retroceso** – Utilice para arrancar el motor manualmente.
16. **Corte de combustible** – Válvula entre el tanque de combustible y el carburador.
17. **Drenaje de aceite** – Utilice para vaciar el aceite del motor.

Figura 4 - Controles del generador

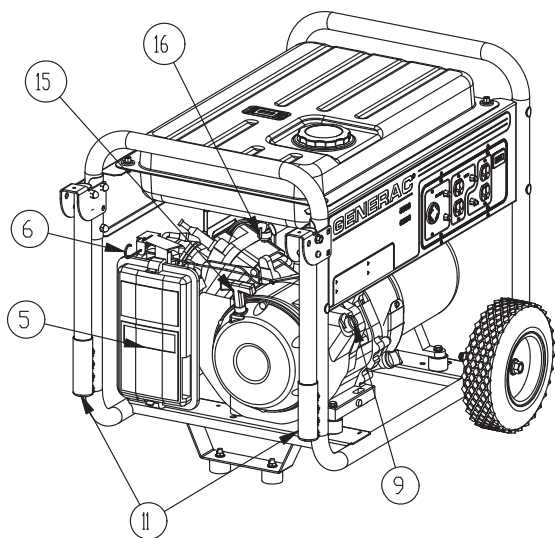
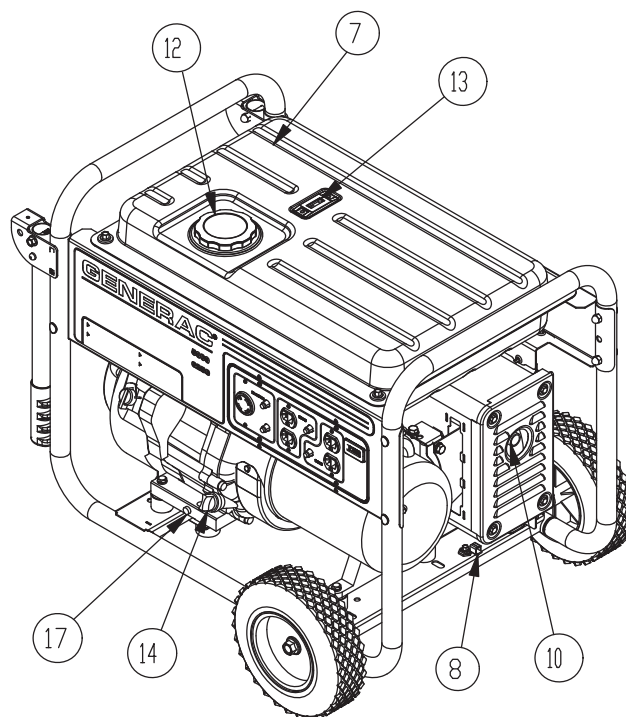


Figura 5 - Controles del generador



2.2 CONTADOR HORARIO

El contador horario lleva la cuenta de las horas de funcionamiento para la programación del mantenimiento.

Cada 100 horas aparecerá un mensaje “CHG OIL”. El mensaje destellará una hora antes y una hora después de cada intervalo de 100 horas, de nuevo proporcionando un espacio de dos horas para efectuar el servicio.

Este mensaje comenzará a destellar realmente a las 99 horas y se desconectará automáticamente a las 101 horas permitiendo un espacio de dos horas para efectuar el servicio.

Cada 200 horas el icono “SVC” destellará en la esquina inferior izquierda la pantalla. El mensaje destellará una hora antes y una hora después de cada intervalo de 200 horas, de nuevo proporcionando un espacio de dos horas para efectuar el servicio.

Cuando el contador horario esté en la modalidad de destello de alerta, el mensaje de mantenimiento siempre se alternará con el tiempo transcurrido en horas y décimas. Las horas destellarán cuatro veces, luego se alternan con el mensaje de mantenimiento cuatro veces hasta que el medidor se reinicia automáticamente.

- 100 horas - CHG OIL — Intervalo para el cambio de aceite (Cada 100 h)
- 200 horas - SVC — Intervalo para el filtro de aire (Cada 200 h)

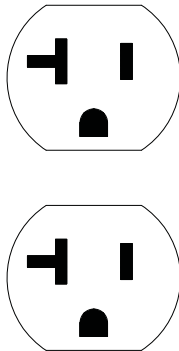
2.3 JUEGOS DE CABLES Y ENCHUFES DE CONEXIÓN

2.3.1 TOMACORRIENTE DÚPLEX DE 120 VAC, 20 AMP

Este es un tomacorriente de 120 voltios protegido contra sobrecarga por un interruptor de circuito de 20 Amp que se presiona para reiniciar (Figura 6). Utilice cada conector para alimentar cargas de 120 voltios AC, monofásicas, de 60 Hz que requieran una corriente combinada de 2400 vatios (2,4 kW) o 20 amperios. Utilice sólo juegos de cables de alta calidad, bien aislados, de 3 hilos con conexión a tierra clasificados para 125 voltios a 20 amperios (o más).

Mantenga los cables de extensión tan cortos como sea posible, preferiblemente de menos de 15 pies (4,6 m) de largo para evitar las caídas de voltaje y el posible sobrecalentamiento de los cables.

Figura 6 - Tomacorriente dúplex de 120 voltios AC, 20 amp



2.3.2 TOMACORRIENTE DE 120/240 VAC, 30 AMP

Utilice un conector NEMA L14-30 con su tomacorriente (rote para bloquear/desbloquear). Conecte al enchufe un juego de cables adecuado de 4 conductores con conexión a tierra y a la carga deseada. El juego de cables debe estar clasificado para 250 voltios AC a 30 amperios (o más) (Figura 7).

Figura 7 - Tomacorriente de 120/240 VAC, 30 Amp



Utilice este tomacorriente para cargas de 120 voltios AC, 60 Hz monofásicas que requieran hasta 3600 vatios (3,6 kW) de energía a 30 amperios o 240 voltios AC, 60 Hz, monofásicas que requieran hasta 7200 vatios (7,2 kW) de energía a 30 amperios. El tomacorriente está protegido por un interruptor de circuito de 21/23/27 Amp (magnético de 2 polos) para 5kW/5,5kW/6,5kW.

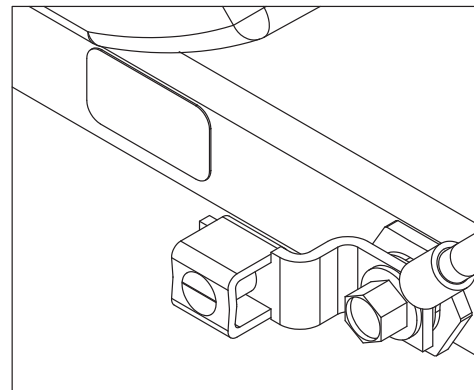
2.4 CÓMO UTILIZAR EL GENERADOR

Si surgen problemas al utilizar el generador, llame a la línea de ayuda del generador al 1-888-436-3722.

2.4.1 CONEXIÓN A TIERRA DEL GENERADOR

La Normativa de electricidad nacional requiere que la estructura del generador y las partes externas que conducen electricidad se conecten adecuadamente a un dispositivo de tierra que esté aprobado. Las normativas de electricidad locales también podrían requerir la conexión a tierra del generador. Para ese fin, conecte un cable de cobre trenzado AWG (American Wire Gauge) N° 10 al terminal de conexión a tierra y a una varilla de conexión a tierra de cobre o latón (electrodo) brinda adecuada protección contra descargas eléctricas. No obstante, la normativa local puede variar ampliamente. **Consulte con un electricista local sobre los requerimientos de conexión a tierra en el área.**

Figura 8 - Conexión a tierra del generador



La adecuada conexión a tierra del generador contribuirá a evitar descargas eléctricas en caso de que haya una falla a tierra en el generador o en los dispositivos eléctricos conectados. La conexión a tierra adecuada también ayuda a disipar la electricidad estática que a menudo se acumula en los dispositivos no conectados a tierra.

2.4.2 CONEXIÓN DE LAS CARGAS ELÉCTRICAS

NO conecte cargas de 240 voltios a los tomacorrientes de 120 voltios. **NO** conecte cargas trifásicas al generador. **NO** conecte cargas de 50 Hz al generador.

- Permita que el motor se estabilice y se caliente durante unos minutos después de arrancar.
- Enchufe y active las cargas monofásicas eléctricas que desee de 120 ó 240 voltios AC, 60 Hz.
- Sume la potencia nominal (o amperios) de todas las cargas que se van a conectar al mismo tiempo. Este total no debe exceder de (a) la capacidad nominal del vataje/amperaje del generador (b) la capacidad nominal del interruptor de circuito del tomacorriente que suministra la electricidad. Refiérase a "No sobrecargue el generador".

2.5 NO SOBRECARGUE EL GENERADOR

Sobrecargar un generador excediendo su potencia nominal puede ocasionar daño al generador y a los dispositivos eléctricos conectados. Observe lo siguiente para evitar sobrecargar la unidad:

- Sume la totalidad de los vatios de todos los dispositivos eléctricos que va a conectar al mismo tiempo. Este total NO debe ser mayor que la capacidad de potencia nominal del generador.
 - La potencia nominal de las luces puede encontrarse en las bombillas. La potencia nominal de las herramientas, electrodomésticos y motores generalmente puede encontrarse en una etiqueta de información o en una calcomanía fijada al dispositivo.
 - Si el electrodoméstico, herramienta o motor no especifica el vataje, multiplique los voltios por los amperios para determinar los vatios (voltios x amperios = vatios).
 - Algunos motores eléctricos, tales como los del tipo de inducción, requieren cerca de tres veces más vatios de potencia para arrancar que para funcionar. Este incremento súbito de electricidad dura sólo unos segundos cuando arranca tales motores. Cerciórese de tomar en cuenta este alto vataje de arranque cuando elija los dispositivos eléctricos que va a conectar al generador:
1. Calcule los vatios necesarios para arrancar el motor de mayor tamaño.
 2. Sume a ese número los vatios en consumo de todas las otras cargas conectadas.

La Guía de referencia del vataje le ayuda a determinar cuántos artículos/equipos pueden funcionar con el generador al mismo tiempo.

NOTA:

Todas las cifras son aproximadas. Refiérase a la etiqueta de información en el electrodoméstico para los requerimientos de vataje.

2.6 GUÍA DE REFERENCIA DEL VATAJE

Dispositivo	Vatios en consumo
*Abridor de puerta de garaje	500 a 750
*Aire acondicionado (12.000 Btu)	1700
*Aire acondicionado (24.000 Btu)	3800
*Aire acondicionado (40.000 Btu)	6000
*Bomba colectora	800 a 1050
Bomba eyectora	800
*Bomba sumergible (1 HP)	2000
*Bomba sumergible (1/2 HP)	1500
*Bomba sumergible (1-1/2 HP)	2800
Bombilla	100
Bordeadora	500
Cafetera	1750
Calentador de área alimentado con aceite (30.000 Btu)	150
Calentador de área alimentado con aceite (85.000 Btu)	225
Calentador de área alimentado con aceite (140.000 Btu)	400
Cargador de baterías (20 Amp)	500
*Compresor (1 HP)	2000
*Compresor (1/2 HP)	1400
*Compresor (3/4 HP)	1800
*Congelador	700
*Deshumidificador	650
*Enfriador de leche	1100
Estufa eléctrica (por resistencia)	1500
Horno microondas	700 a 1000
*Lavadora de ropa	1150
Lijadora de banda (3 pulgadas [7,6 cm])	1000

Lijadora de banda (9 pulgadas [22,9 cm])	1200
Llave de impacto	500
Manta eléctrica	400
Motosierra	1200
Olla de cocción lenta	200
Pistola eléctrica para clavos	1200
Plancha	1200
Podadora de césped	1200
Podadora de malezas	500
Podadora de setos	450
Quemador de aceite del sistema de calefacción	300
Radio	50 a 200
*Refrigerador	700
Rizadora	700
*Rociador de pintura, sin aire (1/3 HP)	600
Rociador de pintura, sin aire (de mano)	150
Sartén eléctrico	1250
Secador de pelo	1200
*Secadora de ropa (a gas)	700
*Secadora de ropa (eléctrica)	5750
Sierra circular (6-1/2 pulgadas [16,5 cm])	800 a 1000
*Sierra de mesa (10 pulgadas [25,4 cm])	1750 a 2000
Taladro de mano	250 a 1100
Televisor	200 a 500
Tostadora	1000 a 1650
*Ventilador de sistema de calefacción (3/5 HP)	875

* Suministre 3 veces los vatios indicados para arrancar estos aparatos.

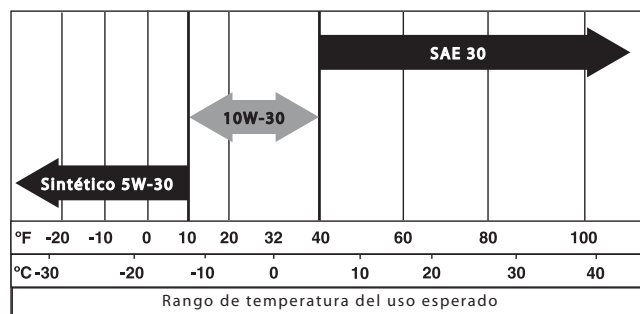
2.7 ANTES DE ARRANCAR EL GENERADOR

Antes de utilizar el generador, debe añadir aceite y gasolina al motor, como sigue:

2.7.1 CÓMO AÑADIR ACEITE AL MOTOR

Todos los aceites de motor deben cumplir con las normas del Instituto Americano del Petróleo (API) Clase de Servicio SJ, SL o mejor. No utilice aditivos especiales. Elija el grado de viscosidad del aceite de acuerdo con la temperatura de funcionamiento que anticipe (refiérase a la tabla).

- Sobre 40°F (4°C), utilice SAE 30
- Por debajo de 40°F (4°C) y hasta 10° F (-12°C), utilice 10W-30
- Por debajo de 10°F (-12°C), utilice sintético 5W-30



⚠ CUIDADO

! **Cualquier intento de arrancar el motor antes de que se le haya dado el servicio adecuado con el aceite recomendado puede ocasionar una falla del motor.**

- Coloque el generador en una superficie nivelada.
- Limpie el área alrededor del conducto para aceite y retire la tapa del conducto y la varilla medidora.
- Limpie la varilla medidora.
- Llene lentamente el motor con aceite a través de la abertura del conducto para aceite hasta que alcance la marca de lleno. Ocasionalmente deje de llenar para revisar el nivel de aceite. **Tenga cuidado de no llenar demasiado.**
- Coloque la tapa del conducto para aceite y aprétela de forma segura con la mano.
- De allí en adelante revise cada vez el nivel de aceite del motor antes de comenzar.

2.7.2 CÓMO AÑADIR GASOLINA

⚠ PELIGRO

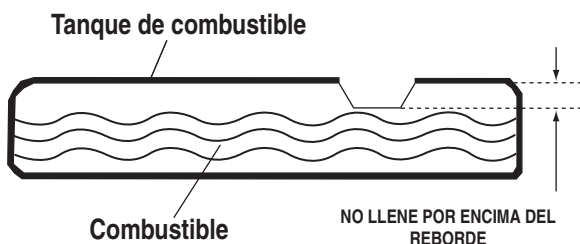
! **Nunca llene el tanque de combustible en interiores. Evite derramar gasolina sobre un motor caliente. Deje que el motor/unidad se enfríe completamente antes de añadir combustible. NO encienda un cigarrillo ni fume cuando esté llenando el tanque de combustible. La gasolina es altamente inflamable y sus vapores son explosivos.**

⚠ CUIDADO

! **No llene excesivamente el tanque de combustible. Siempre deje espacio para la expansión del combustible. Si el tanque está demasiado lleno, el combustible puede derramarse en el motor caliente y ocasionar una explosión.**

- Utilice gasolina regular SIN PLOMO con el motor del generador. No utilice una gasolina que tenga más de 10% de etanol añadido. No utilice gasolina E85. No mezcle aceite con gasolina.
- Limpie el área alrededor del conducto para gasolina, retire la tapa.
- Añada lentamente la gasolina sin plomo al tanque de combustible. Llene hasta la parte inferior del filtro de malla. **Cuide de no llenar excesivamente** (Figura 9).
- Coloque la tapa del combustible y limpie si se ha derramado gasolina.

Figura 9 - Tanque de combustible



IMPORTANTE: Es importante evitar los depósitos de resinas en las partes del sistema de combustible tales como el carburador, la manguera de combustible o el tanque durante el almacenaje. Los combustibles con mezcla de alcohol (llamados gasohol, etanol o metanol) pueden atraer humedad, lo cual conduce a la separación y formación de ácidos durante el almacenaje. El gas ácido puede dañar el sistema de combustible de un motor mientras está en almacenaje. Para evitar problemas con el motor, el sistema de combustible debe vaciarse antes de almacenar el equipo durante 30 días o más. Refiérase a la sección "Almacenaje". Nunca utilice productos de limpieza del motor o del carburador en el tanque de la gasolina ya que podría ocurrir daño permanente.

2.8 CÓMO ARRANCAR EL MOTOR

⚠ ADVERTENCIA

! **Nunca arranque ni pare un motor con dispositivos eléctricos enchufados a los tomacorrientes Y los dispositivos encendidos.**

- Desenchufe todas las cargas eléctricas de los tomacorrientes de la unidad antes de arrancar el motor.
- Cerciérese de que la unidad esté en posición nivelada.
- ABRA la válvula de corte del combustible (Figuras 10 y 11).

Figura 10 - Válvula de corte del combustible

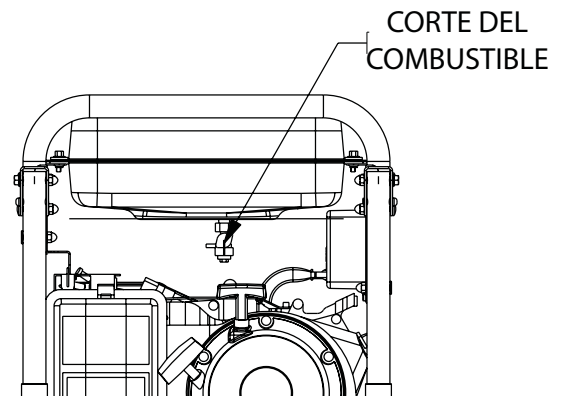
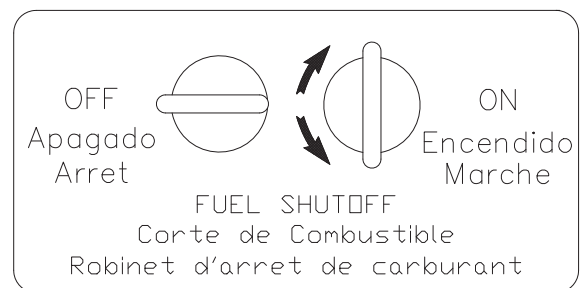


Figura 11 - Corte del combustible



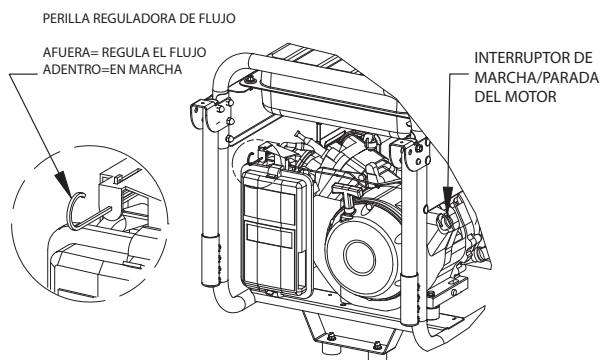
- Gire el interruptor RUN/STOP (arranque/parada) del motor a la posición ON (encendido) (Figura 12).
- Hale la perilla CHOKE (regulación de flujo) hacia afuera hasta la posición FULL CHOKE (Figura 12).
- Para arrancar el motor, agarre firmemente la manija de retroceso y hale lentamente hasta que sienta que aumenta la resistencia. Hale hacia arriba y hacia afuera rápidamente.

- Cuando el motor arranque, mueva la perilla reguladora de flujo a la posición 1/2 CHOKE hasta que el motor trabaje suavemente y luego totalmente a la posición RUN. Si el motor falla, mueva la perilla reguladora de flujo nuevamente a la posición 1/2 CHOKE hasta que el motor trabaje suavemente y luego totalmente a la posición RUN.

NOTA:

Si el motor echa a andar pero no continúa andando, mueva la palanca reguladora de flujo a FULL CHOKE y repita las instrucciones de arranque.

Figura 12 - Posición de regulación de flujo



IMPORTANTE: No sobrecargue el generador. Tampoco sobrecargue los tomacorrientes individuales del panel. Estos tomacorrientes están protegidos contra sobrecarga con interruptores de circuito del tipo "presione para reiniciar". Si se excede la potencia nominal de cualquier interruptor de circuito, ese interruptor se abre y ese tomacorriente ya no tiene salida. Lea atentamente "No sobrecargue el generador".

2.9 CÓMO PARAR EL MOTOR

- Desconecte todas las cargas, luego desenchufe las cargas eléctricas de los tomacorrientes del panel del generador. Nunca arranque ni pare un motor con dispositivos eléctricos enchufados a los tomacorrientes ni encendidos.
- Deje que el motor trabaje sin carga durante algunos minutos para estabilizar las temperaturas internas del motor y del generador.
- Cambie el interruptor Run/Stop a la posición OFF.
- Cierre la válvula de combustible.

2.10 SISTEMA DE APAGADO POR BAJO NIVEL DE ACEITE

El motor viene equipado con un sensor que detecta cuando el nivel de aceite está bajo y apaga automáticamente el motor cuando el nivel de aceite se encuentra por debajo de un nivel específico. Si el motor se apaga automáticamente y el tanque de combustible tiene suficiente gasolina, revise el nivel de aceite del motor.

2.10.1 SENSOR DE BAJO NIVEL DE ACEITE

Si el sistema detecta un nivel de aceite bajo durante el funcionamiento, el motor se apaga. El motor no trabajará hasta que se haya llenado el aceite al nivel adecuado.

3.1 PROGRAMACIÓN DE MANTENIMIENTO

Siga los intervalos del calendario. Se requiere servicio más frecuente cuando el equipo funcione en condiciones adversas como las mencionadas a continuación.

- Revise el nivel de aceite Cada vez que lo utilice
- Cambie el aceite *Cada 100 horas o cada estación
- Revise la abertura de la válvula ***Cada estación
- Preste servicio al filtro de aire ** Cada 200 horas o cada estación
- Cambie las bujías Cada estación
- * Cambie el aceite y el filtro cada mes cuando utilice el equipo bajo cargas fuertes o en temperaturas altas.
- ** Limpie más a menudo si el equipo trabaja en condiciones de suciedad o polvo. Reemplace las piezas del filtro de aire si no pueden limpiarse adecuadamente.
- *** Revise la abertura de la válvula y ajuste si fuese necesario después de las primeras 50 horas de funcionamiento y cada 100 después.

3.2 ESPECIFICACIONES DEL PRODUCTO

3.2.1 ESPECIFICACIONES DEL GENERADOR

Potencia nominal	5,0/5,5/6,5 kW**
Elevación de potencia al arranque	6,25/6,88/8,0 kW
Voltaje nominal AC	120/240
Carga nominal AC	
Corriente a 240V (5,0/6,5 kW)	20,8 Amp/22,9/27,1 Amp**
Corriente a 120V (5,0/6,5 kW)	41,7 Amp/45,8/54,2 Amp**
Frecuencia nominal	60 Hz a 3600 RPM
Fase.....	Monofásica

** El voltaje máximo y la corriente están sujetos y limitados por factores tales como el contenido de Btu del combustible, la temperatura ambiente, la altitud, las condiciones del motor, etc. La potencia máxima disminuye aproximadamente un 3,5% por cada 1.000 pies (305 m) sobre el nivel del mar; y también disminuirá aproximadamente 1% por cada 6°C (10°F) sobre 16°C (60°F) de temperatura ambiente.

3.2.2 ESPECIFICACIONES DEL MOTOR

Cilindrada	389 cm ³
Tipo de bujía	NHSP F7RTC o Champion RN9YC
Abertura de la bujía (5,0/6,5 kW)	0,028-0,031" o (0,70-0,80 mm)
Capacidad de gasolina	6,6 galones EE.UU. (25 l)
Tipo de aceite ... Refiérase a la tabla en "Antes de arrancar el generador"	
Capacidad de aceite	1,1 l (1,16 cuartos de galón)
Emisión certificada Clase II*	

* El fabricante del motor deberá garantizar el sistema de control de emisiones por un período de dos años. Esta cobertura de garantía es adicional a la garantía que proporciona Generac y puede cubrir el motor incluso si la garantía de Generac no lo ampara.

3.3 RECOMENDACIONES GENERALES

La garantía del generador no ampara artículos que hayan estado sujetos a abuso o negligencia por parte del operador. Para recibir el amparo total de la garantía, el operador deberá mantener el generador como se ha indicado en este manual.

Deberán efectuarse algunos ajustes periódicamente para brindar mantenimiento adecuado al generador.

Todos los ajustes en la sección de Mantenimiento de este manual deberán efectuarse al menos una vez en cada estación. Observe las indicaciones en la "Programación de mantenimiento".

Mantenimiento

NOTA:

Cambie una vez al año la bujía y el filtro de aire. Una nueva bujía y un filtro de aire limpio aseguran la adecuada mezcla de combustible-aire y ayudan al motor a trabajar mejor y durar más tiempo.

3.3.1 MANTENIMIENTO DEL GENERADOR

El mantenimiento del generador consiste en mantener la unidad limpia y seca. Utilice y guarde la unidad en un ambiente limpio y seco donde no esté expuesta al polvo excesivo, suciedad, humedad o a vapores corrosivos. Las ranuras para ventilación que posee el generador no deben obstruirse con nieve, hojas o con cualquier otro material.

Revise el estado del generador frecuentemente y limpie cuando haya polvo, suciedad, aceite, humedad u otras sustancias visibles en la superficie exterior.

⚠ CUIDADO

⚠ Nunca inserte objetos o herramientas a través de las ranuras para ventilación, incluso aunque el motor no esté trabajando.

NOTA:

NO utilice una manguera de jardín para limpiar el generador. Es posible que el agua pueda penetrar en el sistema de combustible y causar problemas. Adicionalmente, si el agua penetra en el generador por las ranuras de ventilación, puede quedar retenida en las espiras y grietas del aislamiento del embobinado del rotor y del inductor. La acumulación de agua y suciedad en el embobinado interno del generador disminuirá la resistencia del aislamiento de estos embobinados.

3.3.2 LIMPIEZA DEL GENERADOR

- Utilice un paño húmedo para limpiar las superficies externas.
- Puede utilizar una brocha de cerdas suaves para aflojar el sucio o aceite incrustado, etc.
- Puede utilizar una aspiradora para recoger el sucio y los desechos sueltos.
- Puede utilizar aire de baja presión (que no exceda de 25 psi) para retirar el sucio. Inspeccione las ranuras y aberturas de ventilación del generador que deberán mantenerse limpias y sin obstrucciones.

3.3.3 MANTENIMIENTO DEL MOTOR

⚠ PELIGRO

⚠ Cuando trabaje en el generador, siempre desconecte el cable negativo de la batería. También desconecte el cable de la bujía y mantenga el cable apartado de la bujía.

3.3.4 REVISIÓN DEL NIVEL DE ACEITE

Refiérase a la sección "Antes de arrancar el generador" para información sobre la revisión del nivel de aceite. Deberá revisar el nivel de aceite antes de cada uso, o al menos cada ocho horas de funcionamiento. Conserve el nivel de aceite adecuado.

3.3.5 CAMBIO DE ACEITE

Cambie el aceite cada 100 horas. Si la unidad trabaja bajo condiciones de suciedad o de polvo, o en clima extremadamente caliente, cambie el aceite con mayor frecuencia.

⚠ CUIDADO

⚠ El aceite caliente puede causar quemaduras. Deje que el aceite se enfríe antes de drenarlo. Evite la exposición prolongada o repetida con el aceite usado. Lave meticulosamente las áreas expuestas con jabón.

NOTA:

Cada vez que sea posible haga trabajar el motor aproximadamente cinco (5) minutos para que el aceite se caliente.

Esto facilitará drenar el aceite. Siga las siguientes instrucciones para cambiar el aceite mientras el motor se encuentre aún tibio:

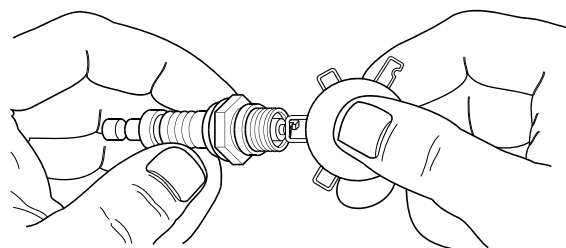
- Limpie el área alrededor del tapón de drenaje de aceite.
- Retire el tapón del motor para drenaje de aceite del motor y el tapón del conducto para aceite a fin de drenarlo completamente en un envase adecuado.
- Cuando haya vaciado completamente el aceite, coloque el tapón de drenaje de aceite y apriételo de forma segura.
- Llene el colector de aceite con el aceite recomendado. (Refiérase a "Antes de arrancar el generador" para las recomendaciones sobre el aceite).
- Limpie cualquier resto de aceite que se haya derramado.
- Deseche el aceite usado en un centro de recolección adecuado.

3.3.6 CAMBIO DE LA BUJÍA

Utilice la bujía Champion RN9YC o su equivalente. **Cambie la bujía una vez al año.** Esto le ayudará a que el motor arranque más fácilmente y trabaje mejor.

1. Apague el motor y hale el cable de la bujía para retirarlo de la bujía.
2. Limpie el área alrededor de la bujía y retirela del cabezal del cilindro.
3. Coloque la abertura de la bujía en 0,70-0,80 mm (0,028-0,031 pulgadas). Coloque la bujía con la abertura correcta al cabezal del cilindro (Figura 13).

Figura 13 - Abertura de la bujía



3.4 SERVICIO DEL FILTRO DE AIRE

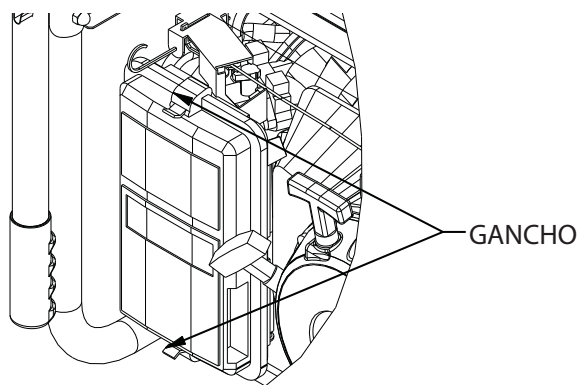
El motor no trabajará adecuadamente y puede dañarse si se utiliza un filtro de aire que esté sucio. Limpie el filtro de aire cada 200 horas o una vez al año (Figura 14). Limpie o cambie más a menudo si trabaja en ambiente polvoriento.

- Retire la cubierta del filtro de aire.
- Lave en agua jabonosa. Seque el filtro con un paño limpio (NO LO RETUERZA)
- Limpie la cubierta del filtro de aire antes de reinstalarlo.

NOTA:

Para pedir un nuevo filtro de aire, contacte el centro de servicio autorizado más cercano al 1-888-436-3722.

Figura 14 - Filtro de aire



3.5 ABERTURA DE LA VÁLVULA

- Toma — $0,15 \pm 0,02\text{mm}$ (frío), ($0,006 \pm 0,0008$ de pulgada)
- Escape — $0,0020 \pm 0,02\text{mm}$ (frío), ($0,008 \pm 0,0008$ de pulgada)

Después de las primeras 50 horas de funcionamiento, revise la abertura de la válvula en el motor y ajuste si fuese necesario.

Importante: Si no se siente preparado para ejecutar este procedimiento o si no tiene las herramientas adecuadas para hacerlo, lleve el generador al centro de servicio más cercano para ajustar la abertura de la válvula. Este es un paso muy importante para prolongar la vida del motor.

3.6 GENERAL

Debe arrancar el generador al menos una vez cada siete días y permitirle trabajar al menos 30 minutos. Si no es posible hacer esto y es necesario guardar la unidad durante más de 30 días, utilice la siguiente información como guía para prepararla para almacenaje.

⚠ PELIGRO

NUNCA guarde un motor con combustible en el tanque en interiores o en áreas cerradas con deficiente ventilación donde las emanaciones puedan alcanzar llamas expuestas, chispas o luces piloto como en un sistema de calefacción, calentador de agua, secadora de ropa u otros artefactos a gas.

3.7 ALMACENAJE POR PERÍODOS LARGOS

Es importante evitar los depósitos de resinas en las partes del sistema de combustible tales como el carburador, la manguera de combustible o el tanque durante el almacenaje. La experiencia también indica que los combustibles con mezcla de alcohol (llamados gasohol, etanol o metanol) pueden atraer humedad, lo cual conduce a la separación y formación de ácidos durante el almacenaje. El gas ácido puede dañar el sistema de combustible de un motor mientras está en almacenaje.

Para evitar problemas con el motor, el sistema de combustible debe vaciarse antes de almacenar el equipo durante 30 días o más, como sigue:

- Retire toda la gasolina del tanque de combustible.

⚠ PELIGRO

Vacíe el combustible en exteriores, en envases aprobados, alejado de llamas expuestas. Cerciórese de que el motor esté frío. No fume.

- Arranque y mantenga el motor trabajando hasta que pare por falta de combustible.
- Mientras el motor esté aún tibio, vacíe el aceite del cárter. Rellene con el tipo recomendado.
- Retire las bujías y vierta aproximadamente 1/2 onza (15 ml) de aceite para motor en los cilindros. Tape el agujero de la bujía con un paño. Hale el arranque por retroceso un par de veces para lubricar los aros del pistón y el diámetro del cilindro.

⚠ CUIDADO

Evite el rocío que emana de los agujeros de la bujía cuando ponga en marcha el motor.

- Coloque y apriete las bujías. No conecte los cables de las bujías.
- Limpie las superficies externas del generador. Revise que las ranuras de enfriamiento y las aberturas del generador estén abiertas y sin obstrucciones.
- Guarde la unidad en un lugar limpio y seco.

3.8 OTROS CONSEJOS ÚTILES PARA EL ALMACENAJE

- No guarde gasolina de una estación a otra.
- Cambie el envase de la gasolina si comienza a oxidarse. El óxido y/o el sucio en la gasolina ocasionarán problemas con el sistema del carburador y de combustible.
- Si fuese posible, guarde la unidad en interiores y cúbrala para protegerla del polvo y del sucio. **VACÍE EL TANQUE DE COMBUSTIBLE.**
- Si no es práctico vaciar el tanque de combustible y la unidad debe almacenarse durante algún tiempo, utilice un estabilizador de combustible disponible en el mercado y añádalo a la gasolina para prolongar la vida de la gasolina.
- Cubra la unidad con una cubierta protectora adecuada que no retenga humedad.

⚠ PELIGRO

NUNCA cubra el generador mientras el motor y el área de escape estén tibios.

DetECCIÓN DE FALLAS

4.1 GUÍA PARA LA SOLUCIÓN DE PROBLEMAS

PROBLEMA	CAUSA	CORRECCIÓN
El motor está trabajando pero no hay salida de AC.	<ol style="list-style-type: none"> 1. El interruptor de circuito está abierto. 2. Conexión deficiente o juego de cables defectuoso. 3. El dispositivo conectado está dañado. 4. Falla en el generador. 	<ol style="list-style-type: none"> 1. Reinicie el interruptor de circuito. 2. Revise y repare. 3. Conecte otro dispositivo que esté en buenas condiciones. 4. Contacte el centro de servicio autorizado.
El motor trabaja bien pero se atasca cuando se le conectan cargas.	<ol style="list-style-type: none"> 1. Cortocircuito en una carga conectada. 2. El generador está sobrecargado. 3. La velocidad del motor es demasiado baja. 4. Cortocircuito en el generador. 	<ol style="list-style-type: none"> 1. Desconecte la carga eléctrica en cortocircuito. 2. Refiérase a “No sobrecargue el generador”. 3. Contacte el centro de servicio autorizado. 4. Contacte el centro de servicio autorizado.
El motor trabaja bien pero se atasca cuando se le conectan cargas.	<ol style="list-style-type: none"> 1. La válvula de cierre del combustible está en OFF. 2. El filtro de aire está sucio. 3. No tiene gasolina. 4. Gasolina en malas condiciones. 5. El cable de la bujía no está conectado a la bujía. 6. Bujía deteriorada. 7. Agua en la gasolina. 8. Ahogo excesivo. 9. Bajo nivel de aceite. 10. Mezcla de combustible excesivamente enriquecida. 11. Válvula de entrada atascada abierta o cerrada. 12. El motor perdió compresión. 	<ol style="list-style-type: none"> 1. Gire la válvula del combustible a ON. 2. Limpie o cambie el filtro de aire. 3. Llene el tanque de combustible. 4. Vacíe el tanque de combustible y llene con combustible nuevo. 5. Conecte el cable a la bujía. 6. Cambie la bujía. 7. Vacíe el tanque de combustible y llene con combustible nuevo. 8. Coloque la perilla reguladora de flujo en la posición No Choke. 9. Llene el cárter al nivel adecuado. 10. Contacte el centro de servicio autorizado. 11. Contacte el centro de servicio autorizado. 12. Contacte el centro de servicio autorizado.
El motor se apaga mientras está trabajando.	<ol style="list-style-type: none"> 1. No tiene gasolina. 2. Bajo nivel de aceite 3. Falla en el generador. 	<ol style="list-style-type: none"> 1. Llene el tanque de combustible. 2. Llene el cárter al nivel adecuado. 3. Contacte el centro de servicio autorizado.
El motor no tiene potencia.	<ol style="list-style-type: none"> 1. La carga es demasiado grande. 2. El filtro de aire está sucio. 3. El motor necesita servicio 	<ol style="list-style-type: none"> 1. Disminuya la carga (Refiérase a “No sobrecargue el generador”). 2. Limpie o cambie el filtro de aire. 3. Contacte el centro de servicio autorizado.
El motor “se acelera” o falla.	<ol style="list-style-type: none"> 1. La perilla reguladora de flujo se abre demasiado rápido. 2. El carburador trabaja con mezcla demasiado rica o demasiado pobre. 	<ol style="list-style-type: none"> 1. Mueva la perilla reguladora de flujo a la mitad de la posición hasta que el motor trabaje suavemente. 2. Contacte el centro de servicio autorizado.

Garantía

GARANTÍA LIMITADA DE “DOS AÑOS” DE SISTEMAS DE POTENCIA GENERAC PARA GENERADORES PORTÁTILES SERIE GP

Por un periodo de dos años desde la fecha de la venta original, Generac Power Systems, Inc. (Generac) garantiza sus generadores serie GP como libres de defectos en materiales y mano de obra por los ítems y periodos indicados abajo. Generac, a su opción, reparará o reemplazará cualquier parte que, luego de un examen, inspección y pruebas realizadas por un concesionario de servicio de garantía autorizado de Generac, se encuentre que está defectuoso. Cualquier equipo que el comprador/propietario reclame como defectuoso debe ser regresado a y examinado por el concesionario de servicio de garantía autorizado por Generac más cercano. Todos los costos de transporte bajo la garantía, incluyendo el retorno a la fábrica, serán por cuenta y prepagados por el propietario/comprador. Esta garantía se aplica sólo a los generadores portátiles serie GP de Generac y no es transferible del propietario original. Guarde su comprobante de compra. Si usted no proporciona una prueba de la fecha de la compra inicial, se usará la fecha de embarque del producto del fabricante para determinar el periodo de garantía.

PROGRAMACIÓN DE GARANTÍA

Las aplicaciones para consumidor están garantizadas por (2) años. Las aplicaciones comerciales y de alquiler están garantizadas por un (1) año o 1000 horas como máximo, lo que llegue primero.

APLICACIÓN PARA CONSUMIDOR

AÑOS UNO y DOS - 100% (cien por ciento) de cobertura en mano de obra y repuestos listados (se requiere comprobante de compra y mantenimiento):

- Motor- Todos los componentes
- Alternador- Todos los componentes

APLICACIÓN COMERCIAL / DE ALQUILER

AÑO UNO – 100% (cien por ciento) de cobertura en mano de obra y repuestos listados (se requiere comprobante de compra y mantenimiento):

- Motor- Todos los componentes
- Alternador- Todos los componentes

NOTA: Para el propósito de esta garantía “uso de consumidor” significa uso personal en casa residencial o recreacional por el comprador original. La garantía no aplica a unidades usadas para Fuente Primaria de Energía en lugar del servicio público donde el servicio público se encuentre presente o donde el servicio público de energía no exista normalmente. Una vez que el generador ha experimentado uso comercial o de alquiler, se le considerará en adelante un generador no para uso del consumidor para propósitos de esta garantía.

Toda prestación de gastos de garantía está sujeta a las condiciones definidas en las políticas de garantía de Generac, sus procedimientos y el manual de costos medios.

ESTA GARANTÍA NO SE APLICARÁ A LO SIGUIENTE:

- Generadores portátiles construidos por Generac antes de Mayo de 2008.
- Generadores portátiles de Generac que utilizan repuestos que no son de Generac.
- Costos de mantenimiento normal y ajustes.
- Fallas causadas por combustibles o aceites contaminados, o la falta de niveles apropiados.
- Reparaciones o diagnósticos realizados por individuos diferentes a los concesionarios autorizados por Guardian/Generac que no estén autorizados por escrito por Generac Power Systems.
- Fallas debido a, pero no limitándose a, el uso y desgaste normal, accidente, mal uso, abuso, negligencia o uso inapropiado. Como todo dispositivo mecánico, los motores Generac necesitan servicio y repuestos periódicamente para funcionar como están diseñados. Esta garantía no cubre reparaciones cuando el uso normal ha agotado la vida útil de una parte o motor.
- Las fallas causadas por cualquier causa externa o acto de Dios, como colisión, robo, vandalismo, disturbios o guerra, holocausto nuclear, incendio, congelamiento, electricidad atmosférica, terremoto, tormentas, granizo, erupción volcánica, agua o inundaciones, tornados o huracanes.
- El daño relacionado a roedores y/o plaga de insectos.
- Los productos que son modificados o alterados de manera no autorizada por Generac por escrito.
- Cualquier daño incidental, consecuencial o indirecto causado por defectos en los materiales y mano de obra, o cualquier retraso en reparar o reemplazar las partes defectuosas.
- Falla debido a una mala aplicación.
- Gastos de teléfono, teléfono celular, fax, acceso a internet u otros gastos de comunicación.
- Costo de vida o gastos de viaje de las personas que realizan el servicio, excepto tal como específicamente se incluya dentro de los términos del periodo de garantía de una unidad específica.
- Gastos relacionados a “instrucciones del cliente” o detección de problemas donde no se encuentre defecto de fábrica.
- Equipo de alquiler usado mientras se realiza las reparaciones de garantía.
- Flete de un día para otro o costos especiales de embarque para los repuestos.
- Sobretiempos, vacaciones o trabajo de emergencia.
- Baterías de arranque, fusibles, bombillos de luz y fluidos de motor.

ESTA GARANTÍA REEMPLAZA A TODAS LAS OTRAS GARANTÍAS, EXPRESAS O IMPLÍCITAS. ESPECÍFICAMENTE, GENERAC NO OFRECE OTRAS GARANTÍAS COMO DE MERCANTIBILIDAD O ADECUACIÓN A UN USO PARTICULAR. Cualquier garantía implícita permitida por ley, estará limitada en duración a los términos de la garantía expresa dispuesta aquí. Algunos estados no permiten limitaciones en cuánto dura una garantía implícita, de modo que la limitación expresada arriba puede no aplicarse a usted. LA ÚNICA RESPONSABILIDAD DE GENERAC SERÁ LA REPARACIÓN O REEMPLAZO DE LAS PARTES TAL COMO SE ESPECIFICA ARRIBA. EN NINGÚN CASO GENERAC SERÁ RESPONSABLE POR CUALQUIER DAÑO INCIDENTAL O CONSECUENCIAL, AÚN SI TALES DAÑOS SEAN UN RESULTADO DIRECTO DE UNA NEGLIGENCIA DE GENERAC.

Algunos estados no permiten la exclusión o limitación de daños accidentales o resultantes, de modo que la limitación mencionadas más arriba podrían no aplicarse a usted. Esta garantía le da a usted derechos legales específicos. Usted también tiene otros derechos dependiendo del Estado.

GENERAC POWER SYSTEMS, INC.

P.O. BOX 8 • Waukesha, WI 53187

Tel: (888) GENERAC (436-3722) • Fax: (262) 544-4851

Para ubicar al concesionario autorizado más cercano visite nuestro sitio web: www.generac.com

Parte No. 0G9451

Revisión E (05/19/10)

MODÈLES : 005688-0, 005690-0,
005738-0

Manuel d'entretien Générateur portable série GP

GARANTIE
LIMITÉE DE
2 ANS

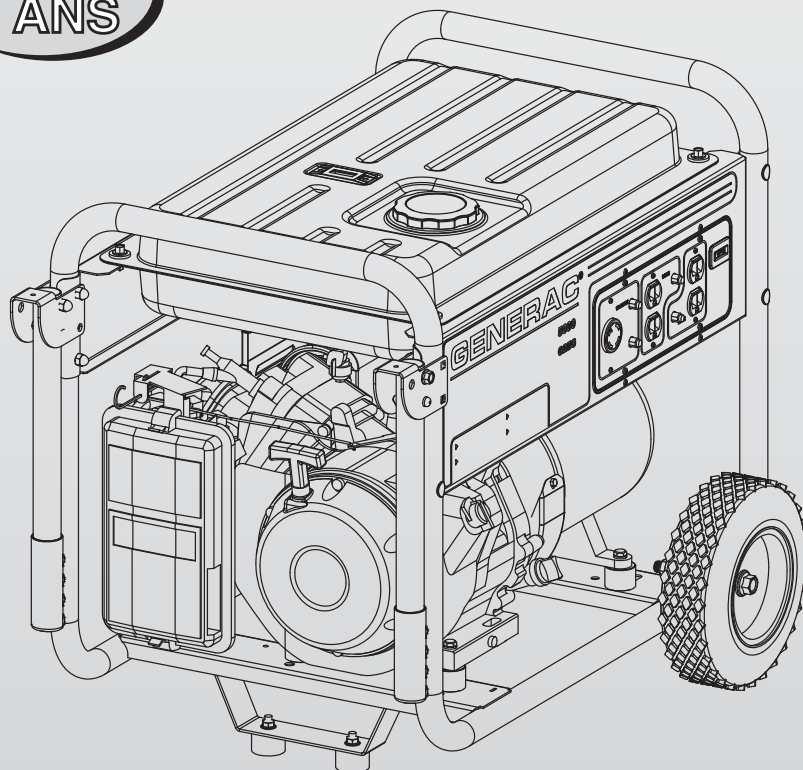


Table des matières

Introduction.....	33	Entretien	41
Lire attentivement ce manuel	33	3.1 Calendrier d'entretien.....	41
Règles de sécurité.....	33	3.2 Spécifications de l'appareil	41
Index des normes.....	35	3.2.1 Spécifications de la génératrice.....	41
		3.2.2 Spécifications du moteur	41
Informations générales.....	36	3.3 Recommandations générales.....	42
1.1 Déballage	36	3.3.1 Entretien de la génératrice.....	42
1.1.1 Boîte d'accessoires.....	36	3.3.2 Nettoyage de la génératrice.....	42
1.2 Montage.....	36	3.3.3 Entretien du moteur	42
1.2.1 Montage du kit d'accessoires.....	36	3.3.4 Vérification du niveau d'huile.....	42
		3.3.5 Changement d'huile	42
		3.3.6 Remplacement de la bougie.....	42
Fonctionnement	36	3.4 Entretien du filtre à air	43
2.1 Connaître la génératrice.....	36	3.5 Jeu de soupape.....	43
2.2 Horamètre.....	37	3.6 Généralités	43
2.3 Cordons électriques et fiches de branchement.....	38	3.7 Rangement à long terme	43
2.3.1 120 V CA, 20 A, Prise double	38	3.8 Autres conseils sur le rangement.....	43
2.3.2 Prise 120/240 V CA, 30 A	38		
2.4 Mode d'emploi de la génératrice	38	Dépannage.....	44
2.4.1 Mise à la terre de la génératrice	38	4.1 Guide de réparations	44
2.4.2 Branchement des charges électriques	38		
2.5 Ne pas surcharger la génératrice	39	Remarques	45
2.6 Guide de référence de puissance.....	39		
2.7 Avant la mise en marche de la génératrice.....	39	Garantie	Quatrième de couverture
2.7.1 Ajout de l'huile de moteur	39		
2.7.2 Ajout de l'essence	40		
2.8 Démarrage du moteur	40		
2.9 Arrêt du moteur.....	41		
2.10 Système d'arrêt en cas de faible niveau d'huile	41		
2.10.1 Détection de faible niveau d'huile	41		

INTRODUCTION

Nous vous remercions d'avoir acheté ce modèle fabriqué par Generac Power Systems, Inc. Ce modèle est un générateur entraîné par moteur compact, à haute performance, refroidi à l'air, conçu pour fournir l'alimentation électrique afin de faire fonctionner les charges électriques lorsqu'aucun réseau électrique n'est disponible ou à la place du réseau en raison d'une coupure de courant.

LIRE ATTENTIVEMENT CE MANUEL

En cas d'incompréhension d'une partie de ce manuel, contacter le dépositaire agréé le plus proche pour connaître les procédures de démarrage, de fonctionnement et d'entretien.

L'opérateur est responsable de l'utilisation correcte et sûre de l'équipement. Nous recommandons fortement à l'opérateur de lire ce manuel et de comprendre complètement toutes les instructions avant d'utiliser l'équipement. Nous recommandons également fortement d'apprendre à d'autres utilisateurs comment correctement démarrer et faire fonctionner l'unité. Cela les prépare au cas où ils auraient besoin de faire fonctionner l'équipement pour une urgence.

Le générateur peut fonctionner en toute sécurité, de façon efficace et de façon fiable uniquement s'il est correctement installé, utilisé et entretenu. Avant de faire fonctionner ou d'effectuer l'entretien du générateur :

- Se familiariser avec et respecter strictement tous les codes et réglementations locaux, d'État et nationaux.
- Lire attentivement tous les avertissements de sécurité figurant dans ce manuel et sur le produit.
- Se familiariser avec ce manuel et l'unité avant de l'utiliser.

Le fabricant ne peut pas anticiper toutes les situations possibles qui peuvent impliquer un danger. Les avertissements de ce manuel et figurant sur les étiquettes et les autocollants apposés sur l'unité ne sont, toutefois, pas exhaustifs. Si vous suivez une procédure, une méthode de travail ou une technique de fonctionnement que le fabricant ne recommande pas en particulier, assurez-vous qu'elle est sans danger pour les autres. S'assurer que la procédure, la méthode de travail ou la technique de fonctionnement choisie ne rende pas le générateur dangereux.

LES INFORMATIONS CONTENUES DANS LE PRÉSENT MANUEL SE BASENT SUR LES MACHINES EN PRODUCTION AU MOMENT DE LA PUBLICATION. GENERAC SE RÉSERVE LE DROIT DE MODIFIER CE MANUEL À TOUT MOMENT.

RÈGLES DE SÉCURITÉ

Dans tout ce manuel, et sur les étiquettes et sur les autocollants apposés sur le générateur, les blocs DANGER, AVERTISSEMENT, ATTENTION et REMARQUE servent à alerter le personnel d'instructions spéciales au sujet d'une opération spécifique qui peut s'avérer dangereuse si elle n'est pas effectuée correctement ou avec précaution. Les respecter attentivement. Leurs définitions sont les suivantes :

DANGER !

INDIQUE UNE SITUATION OU UNE ACTION DANGEREUSE QUI, SI ELLE N'EST PAS ÉVITÉE, ENTRAÎNERA LA MORT OU DES BLESSURES GRAVES.

AVERTISSEMENT !

Indique une situation ou une action dangereuse qui, si elle n'est pas évitée, pourrait entraîner la mort ou des blessures graves.

ATTENTION !


Indique une situation ou une action dangereuse qui, si elle n'est pas évitée, entraînera des blessures légères ou modérées.

REMARQUE :

Les remarques contiennent des informations supplémentaires importantes relatives à une procédure et se trouvent dans le corps de texte régulier de ce manuel.

Ces avertissements de sécurité ne peuvent pas éliminer les dangers qu'ils signalent. Le sens commun et le respect strict des instructions spéciales lors de l'action ou l'entretien sont essentiels pour éviter les accidents.

Quatre symboles de sécurité couramment utilisés accompagnent les blocs **DANGER**, **AVERTISSEMENT** et **ATTENTION**. Chacun indique le type d'informations suivant :

 **Ce symbole indique des informations importantes relatives à la sécurité qui, si elles ne sont pas suivies, pourraient mettre en danger la sécurité personnelle et/ou les biens.**

 **Ce symbole indique un risque potentiel d'explosion.**

 **Ce symbole indique un risque potentiel d'incendie.**

 **Ce symbole indique un risque potentiel d'électrocution.**

DANGERS GÉNÉRAUX

- Ne jamais faire fonctionner dans un espace clos ou à l'intérieur.
- Pour des raisons de sécurité, le fabricant recommande que la maintenance de cet équipement soit effectuée par un dépositaire agréé. Inspecter régulièrement le générateur et contacter le dépositaire agréé le plus proche pour les pièces qui nécessitent une réparation ou un remplacement.
- Faire fonctionner le générateur uniquement sur des surfaces de niveau et où il ne sera pas exposé à l'humidité, aux saletés, à la poussière ou aux vapeurs corrosives excessives.
- Tenir les mains, les pieds, les vêtements, etc., à distance des courroies de transmission, des ventilateurs et d'autres pièces mobiles. Ne jamais retirer tout protège-ventilateur pendant que l'unité fonctionne.
- Certaines pièces du générateur deviennent extrêmement chaudes pendant le fonctionnement. Rester à distance du générateur tant qu'il n'a pas refroidi afin d'éviter des brûlures graves.
- NE PAS faire fonctionner le générateur sous la pluie.
- Ne pas modifier la construction du générateur ni les commandes, ce qui pourrait créer une condition de fonctionnement dangereuse.
- Ne jamais démarrer ou arrêter l'unité avec les charges électriques branchées aux prises ET avec des dispositifs branchés sous tension. Démarrer le moteur et le laisser se stabiliser avant de brancher les charges électriques. Débrancher toutes les charges électriques avant d'arrêter le générateur.
- Ne pas insérer d'objet dans les fentes de refroidissement de l'unité.
- Lors du travail sur cet équipement, conserver l'alerte à tout moment. Ne jamais travailler sur l'équipement en cas de fatigue physique ou mentale.

Règles de sécurité

- Ne jamais utiliser le générateur ou n'importe laquelle de ses pièces comme marche. Monter sur l'unité peut écraser et casser les pièces, et peut entraîner des conditions de fonctionnement dangereuses suite à une fuite de gaz d'échappement, une fuite de carburant, une fuite d'huile, etc.
- Sur les modèles à démarrage électrique, débrancher le câble de batterie POSITIF (+) du démarreur du moteur OU le câble de batterie NÉGATIF (-) de la borne de la batterie, ce qui est le plus facile, avant de transporter le générateur.

DANGERS D'ÉCHAPPEMENT ET D'EMPLACEMENT

- **NE JAMAIS utiliser de l'intérieur, ou dans des zones partiellement clos tels que garages, même si les portes et les fenêtres sont ouvertes! une utilisation en extérieur SEULEMENT et loin des fenêtres, des portes et des événements. N'utiliser que dans un domaine qui n'accumule pas d'échappement mortels.**



- Les fumées d'échappement du moteur contiennent du monoxyde de carbone, un gaz toxique invisible et inodore. Ce gaz toxique, s'il est respiré en concentrations suffisantes, peut entraîner une perte de conscience ou même la mort.
- Un débit approprié, non obstrué d'air de refroidissement et de ventilation est important pour corriger le fonctionnement du générateur. Ne pas modifier l'installation ou ne pas laisser même un blocage partiel de l'alimentation de ventilation, étant donné que cela peut sérieusement affecter le fonctionnement sûr du générateur. Il FAUT faire fonctionner le générateur à l'extérieur.
- Ce système d'échappement doit être correctement entretenu. Ne rien faire qui pourrait rendre le système d'échappement dangereux ou non conforme aux codes locaux et/ou normes locales.
- Toujours utiliser un détecteur d'oxyde de carbone à alimentation par batterie à l'intérieur, conformément aux instructions du fabricant.
- Si vous commencez à vous sentir malade, à avoir des étourdissements ou à vous sentir faible après le fonctionnement du générateur, respirez de l'air frais IMMÉDIATEMENT. Consultez un médecin car vous pourriez avoir été empoisonné au monoxyde de carbone.

DANGERS ÉLECTRIQUES

- Le générateur produit une tension dangereusement haute pendant son fonctionnement. Éviter le contact avec les fils nus, les bornes, les branchements, etc., pendant le fonctionnement de l'unité, même sur l'équipement branché au générateur. S'assurer que tous les couvercles, les dispositifs de protection et les barrières sont en place avant de faire fonctionner le générateur.
- Ne jamais manipuler tout type de cordon ou de dispositif électrique qui est dans l'eau, alors que vous êtes pieds nus ou que vos mains ou vos pieds sont mouillés. **CELA ENTRAÎNERA UN RISQUE D'ÉLECTROCUTION.**
- Le National Electric Code (Code électrique national) exige que le bâti et que les pièces externes électriquement conductrices du générateur soient correctement reliés à une terre approuvée. Les codes électriques locaux peuvent également exiger la bonne mise à la terre du générateur. Consulter un électricien local pour connaître les exigences de mise à la terre dans la région.
- Utiliser un disjoncteur de fuite à la terre dans toute zone humide ou très conductrice (telle que le carter protecteur métallique ou l'aciérie).
- Ne pas utiliser de cordons électriques usés, nus, effilochés ou autrement endommagés avec le générateur.
- Avant d'effectuer toute maintenance sur le générateur, débrancher la batterie de démarrage du moteur (le cas échéant) afin d'empêcher un démarrage accidentel. Débrancher le câble de la borne de la batterie signalée par l'inscription NEGATIVE (Négatif), NEG ou le signe (-) en premier. Rebrancher ce câble en dernier.
- En cas d'accident causé par électrocution, couper immédiatement la source d'alimentation électrique. Si cela est impossible, essayer de libérer la victime du conducteur sous tension. **ÉVITER TOUT CONTACT DIRECT AVEC LA VICTIME.** Utiliser un objet non conducteur, comme une corde ou une planche, pour libérer la victime du conducteur sous tension. Si la victime est inconsciente, assurer les premiers secours et demander une aide médicale immédiate.

RISQUES D'INCENDIE

- **L'essence est extrêmement INFLAMMABLE et ses vapeurs sont EXPLOSIVES. Ne pas produire de fumée, flammes nues, étincelles ou chaleur à proximité de l'endroit où l'essence est manipulée.**
- Ne jamais ajouter de carburant lorsque l'unité fonctionne ou est chaude. Laisser le moteur complètement refroidir avant d'ajouter du carburant.
- **Ne jamais remplir le réservoir d'essence à l'intérieur.** Respecter toutes les lois réglementant le stockage et la manipulation de l'essence.
- **Ne pas trop remplir le réservoir d'essence. Toujours laisser de la place pour l'expansion du carburant.** En cas de suremplissage du réservoir, le carburant peut déborder sur un moteur chaud et entraîner un INCENDIE ou une EXPLOSION. Ne jamais stocker le générateur avec le réservoir rempli de carburant étant donné que les vapeurs d'essence pourraient atteindre une flamme ouverte, des étincelles ou une veilleuse (comme il y en a sur une chaudière, un chauffe-eau ou sur un sèche-linge). Cela peut entraîner un INCENDIE ou une EXPLOSION. Laisser l'unité complètement refroidir avant le stockage.
- Nettoyer immédiatement toute éclaboussure de carburant ou d'huile. S'assurer qu'aucune matière combustible ne reste sur ou à proximité du générateur. Garder l'espace environnant du générateur propre et sans débris et garder un jeu de cinq (5) pieds sur tous les côtés afin de permettre une aération adaptée du générateur.

- Ne pas insérer d'objet dans les fentes de refroidissement de l'unité.
- **Ne pas** faire fonctionner le générateur si des dispositifs électriques branchés surchauffent ; si la puissance électrique est perdue ; si le moteur ou le générateur fait des étincelles ; si des flammes ou de la fumée sont détectées alors que l'unité fonctionne.
- Garder un extincteur à proximité du générateur à tout moment.

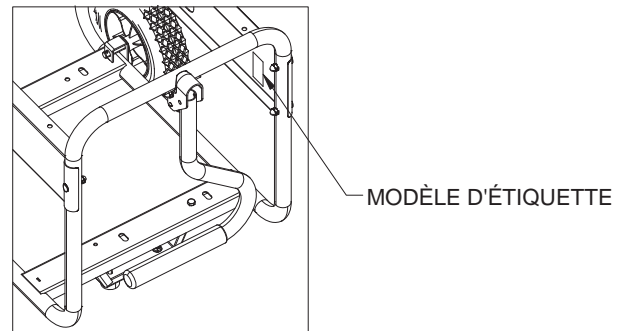
INDEX DES NORMES

En l'absence de normes, codes, réglementations et lois applicables, les informations publiées indiquées ci-dessous peuvent servir de directive pour le fonctionnement de cet équipement. Toujours se reporter à la dernière révision disponible pour les normes indiquées.

1. NFPA N° 70, NFPA HANDBOOK OF NATIONAL ELECTRIC CODE (Manuel NFPA du code électrique national).
2. Article X, NATIONAL BUILDING CODE (Code de construction national), disponible auprès de l'American Insurance Association, 85 John Street, New York, N.Y. 10038.
3. AGRICULTURAL WIRING HANDBOOK (Manuel de câblage agricole), disponible auprès du Food and Energy Council, 909 University Avenue, Columbia, MO 65201.
4. ASAE EP-3634, INSTALLATION AND MAINTENANCE OF FARM STANDBY ELECTRICAL SYSTEMS (Installation et maintenance des systèmes électriques de secours pour les fermes), disponible auprès de l'American Society of Agricultural Engineers, 2950 Niles Road, St. Joseph, MI 49085.

N° DE MODÈLE :	
N° DE SÉRIE :	

Emplacement ID de l'unité



AVERTISSEMENT PROPOSITION 65 CALIFORNIE

L'échappement du moteur et certains de ses constituants sont susceptibles selon l'État de Californie d'entraîner des cancers, des malformations congénitales ou pouvant être nocifs pour le système reproductif.

AVERTISSEMENT PROPOSITION 65 CALIFORNIE

Ce produit contient ou émet des produits chimiques susceptibles selon l'État de Californie d'entraîner des cancers, des malformations congénitales ou autres maladies pouvant être nocives pour le système reproductif.

1.1 DÉBALLAGE

- Enlever tous les matériaux d'emballage.
- Enlever la boîte d'accessoires séparée.
- Enlever la génératrice du carton.

1.1.1 BOÎTE D'ACCESSOIRES

Vérifier le contenu. Si des pièces manquent ou sont endommagées, chercher un dépositaire autorisé au 1 888 436-3722.

Le contenu comprend :

- 1 - Guide du propriétaire
- 1 - Pinte d'huile SAE 30
- 2 - Pneus increvables
- 1 - Support du pied
- 1 - Ensemble manche gauche
- 1 - Ensemble manche droite
- 1 - Pied du cadre
- 1 - Sac de quincaillerie (contenant ce qui suit) :
 - 2 - Pieds en caoutchouc
 - 2 - Rondelles plates, 5/16 po
 - 4 - Vis de carrosserie, 5/16 po
 - 2 - Boulons d'essieu, 1/2 po
 - 2 - Rondelles plates, 1/2 po
 - 2 - Boulons de 5/16 po
 - 4 - Contre-écrous à bride, 5/16 po
 - 2 - Écrous à bouchon d'arrêt, 5/16 po
 - 2 - Contre-écrous à bride, 1/2 po

1.2 MONTAGE

La génératrice a besoin d'un certain montage avant de pouvoir être utilisée. Si des problèmes surviennent quand on monte la génératrice, appeler la Ligne d'Assistance pour génératrices au 1 888 436-3722.

1.2.1 MONTAGE DU KIT D'ACCESSOIRES

Les roues dans l'appareil sont conçues pour augmenter fortement la portabilité de la génératrice.

REMARQUE :

Les roues ne sont pas prévues pour être utilisées sur la route.

1. Se référer à la Figure 1 et installer les roues comme suit :
 - Faire glisser le boulon d'essieu de 1/2 po dans la rondelle plate de 1/2 po, la roue et le support de roue sur le cadre.
 - Installer les contre-écrous à bride de 1/2 po sur les boulons à bride de 1/2 po.
2. Se référer à la Figure 1 et installer le pied du cadre, le support du pied et les pieds en caoutchouc comme montré.
 - Faire glisser le goujon du pied en caoutchouc dans le cadre du pied et le support du pied; installer les contre-écrous à bride de 5/16 po, faire glisser le boulon de 5/16 po dans la rondelle plate de 5/16 po puis au travers du rail du cadre.
 - Faire glisser le pied du cadre sur le boulon de 5/16 po ; installer les contre-écrous à bride de 5/16 po.
3. Se référer à la Figure 2 et installer les manches comme montré.
 - Enlever les boulons à tête arrondie et les écrous borgnes (les écrous borgnes seront réutilisés).
 - Faire glisser l'ensemble manche sur le tube du cadre, alignant les 2 trous.
 - Faire glisser les boulons de carrosserie de 5/16 po jusqu'au bout, installer les écrous borgnes de 5/16 po.

Figure 1 – Montage des roues

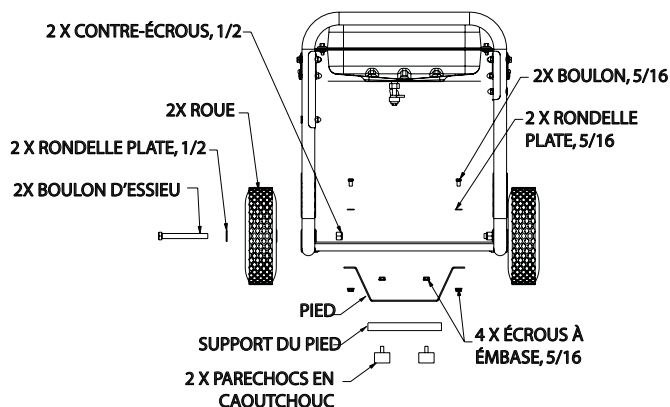
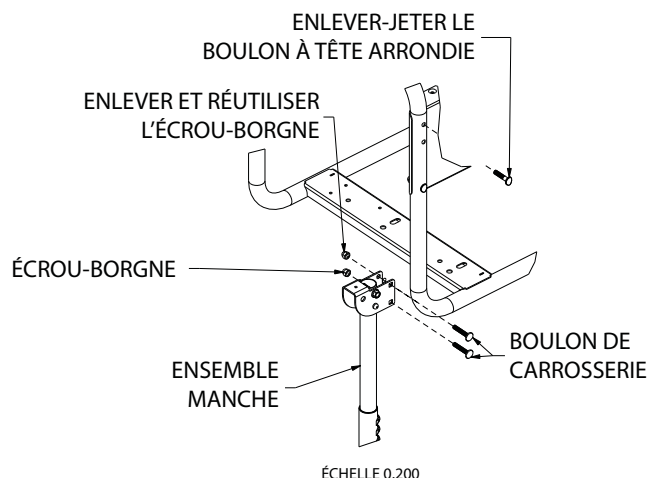


Figure 2 – Montage du kit manche



2.1 CONNAÎTRE LA GÉNÉRATRICE

Lire le manuel du propriétaire et les règles de sécurité avant d'utiliser cette génératrice.

Comparer la génératrice aux figures 3 à 5 pour se familiariser avec l'emplacement des commandes et des réglages. Conserver ce manuel pour utilisation ultérieure.

1. **120 volts CA, 20 A, Prise double** – Fournit l'alimentation électrique pour le fonctionnement de charges de moteur, d'éclairage, d'outils, d'appareils électriques de 120 volts CA, 20 A, monophasés, 60 Hz
2. **120/240 volts CA, 30 A, Prise verrouillable** – Fournit l'alimentation électrique pour le fonctionnement de charges de moteur, d'éclairage, d'outils, d'appareils électriques de 120 et/ou 240 volts CA, 30 A, monophasés, 6 Hz.
3. **Disjoncteurs (CA)** – Chaque prise est équipée d'un disjoncteur pour protéger la génératrice contre une surcharge électrique.

Figure 3 - Panneau de command

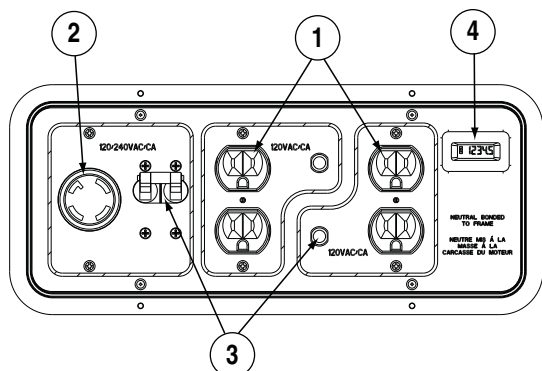
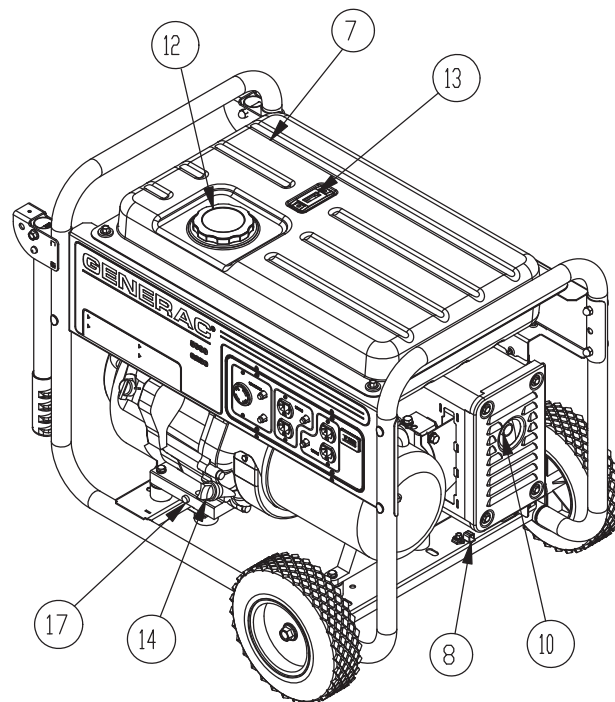
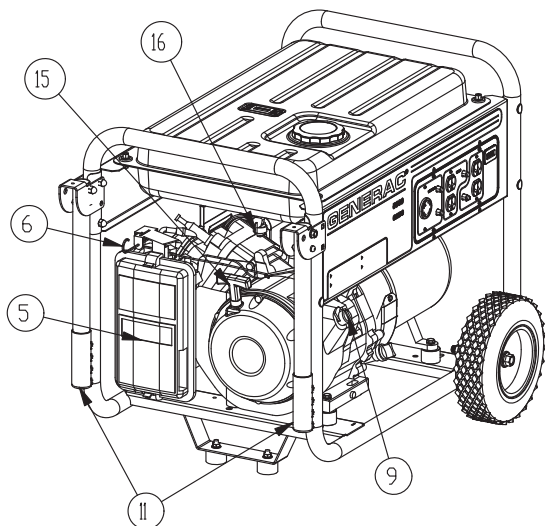


Figure 5 - Commandes de la génératrice



4. **Horamètre** – Totalise les heures de fonctionnement.
5. **Filtre à air** – Filtre l'air quand il entre dans le moteur.
6. **Bouton de l'étrangleur** – Utilisé quand on fait démarrer un moteur froid.
7. **Réservoir de carburant** – Le réservoir contient 6,6 gallons US de carburant.
8. **Borne de mise à la terre** – Mettre la génératrice à la terre à une masse à la terre approuvée ici. Voir « mise à la terre de la génératrice » pour détails.
9. **Bouton Marche/Arrêt** – Commande le fonctionnement de la génératrice.
10. **Silencieux** – Rend le moteur moins bruyant.
11. **Manches** – Pivotent et se rétractent pour ranger. Appuyer sur le bouton à ressort pour déplacer les manches.
12. **Bouchon d'essence** – Emplacement de remplissage de carburant.
13. **Jauge de carburant** – Indique le niveau de carburant dans le réservoir.
14. **Remplissage d'huile** – Ajouter de l'huile ici.
15. **Lanceur** – Utiliser pour faire démarrer le moteur manuellement.
16. **Arrêt du carburant** – Soupape entre le réservoir de carburant et le carburateur.
17. **Bouchon de vidange de l'huile** – Utilisé pour vidanger l'huile.

Figure 4 - Commandes de la génératrice



2.2 HORAMÈTRE

L'horamètre totalise les heures de fonctionnement pour l'entretien périodique :

Un message « CHG OIL » apparaîtra toutes les 100 heures. Le message clignotera une heure avant et une heure après chaque intervalle de 100 heures, fournissant à nouveau un créneau de deux heures pour faire l'entretien.

Ce message commencera à clignoter à 99 heures et se mettra hors service à 101 heures, laissant un créneau fenêtre de deux heures pour faire l'entretien.

Toutes les 200 heures, l'icône « SVC » sur le coin inférieur gauche de l'affichage se mettra à clignoter. Le message clignotera une heure avant et une heure après chaque intervalle de 200 heures, fournissant à nouveau un créneau de deux heures pour faire l'entretien.

Quand l'horamètre est en mode Flash Alert, le message d'entretien alternera toujours avec le temps passé en heures et dixièmes d'heure. Les heures clignoteront quatre fois, puis alternent quatre fois avec le message d'entretien jusqu'à ce que l'horamètre se remette à zéro de lui-même.

- 100 heures - CHG OIL – Intervalle de vidange (Toutes les 100 heures)
- 200 heures - SVC – Intervalle filtre à air (Toutes les 200 heures)

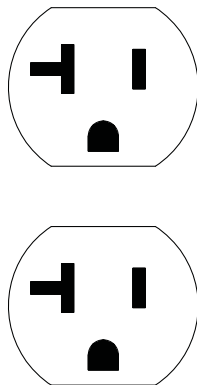
2.3 CORDONS ÉLECTRIQUES ET FICHES DE BRANCHEMENT

2.3.1 120 V CA, 20 A, PRISE DOUBLE

C'est une prise 120 volts protégée contre les surcharges par un disjoncteur « pousser pour réenclencher » de 20 A (Figure 6). Utiliser chaque douille pour alimenter les charges électriques 120 volts CA, monophasé, 60 Hz ayant besoin de 2 400 watts combinés (2,4 kW) ou 20 A de courant. N'utiliser que des cordons électriques à 3 fils, à la terre, bien isolés, de haute qualité avec un nominal de 125 volts à 20 A (ou plus).

Garder les rallonges aussi courtes que possible, de préférence à moins de 4,6 mètres (15 pi) de longueur, pour empêcher une baisse de tension et la surchauffe possible des fils.

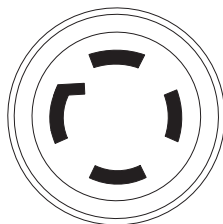
Figure 6 - 120 Volts CA, 20 A, Prise double



2.3.2 PRISE 120/240 V CA, 30 A

Utiliser une fiche NEMA L14-30 avec cette prise (tourner pour verrouiller/déverrouiller). Brancher un cordon approprié à 4 fils à la terre à la fiche et à la charge désirée. Le cordon doit avoir un nominal de 250 volts CA à 30 A (ou plus) (Figure 7).

Figure 7 - Prise 120/240 V CA, 30 A



120V/240V
30A

Utiliser cette prise pour faire fonctionner les charges monophasées de 120 volts CA, 60 Hz ayant besoin de jusqu'à 3 600 watts (3,6 kW) d'électricité à 30 A ou 240 VCA, 60 Hz, charges monophasées ayant besoin de 7 200 watts (7,2 kW) d'électricité à 30 A. La prise est protégée par un disjoncteur 21/23/27 A (magnétique 2 pôles) pour 5kW/5,5 kw/6,5 kW.

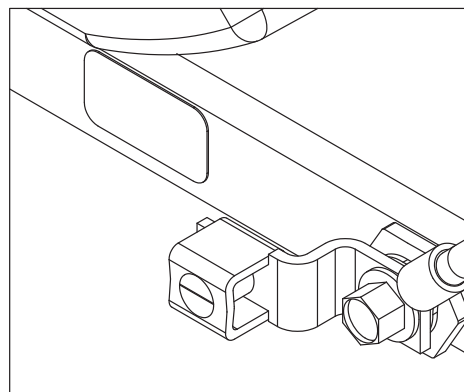
2.4 MODE D'EMPLOI DE LA GÉNÉRATRICE

Si des problèmes surviennent quand on utilise la génératrice, appeler la Ligne d'Assistance des génératrices au 1 888 436-3722.

2.4.1 MISE À LA TERRE DE LA GÉNÉRATRICE

Le code national de l'électricité requiert que le cadre et les pièces externes conductrices électriques de la génératrice soient connectés correctement à une masse à la terre approuvée (Figure 8). Le code local d'électricité peut aussi exiger la mise à la terre correcte de la génératrice. Pour cette raison, connecter un fil torsadé en cuivre n° 10 AWG (American Wire Gauge) à la borne à la terre et à une tige de mise à la terre en cuivre ou laiton (électrode) plantée dans la terre fournit une protection adéquate contre les décharges électriques. Les codes locaux peuvent cependant être très différents. **Voir un électricien local pour les exigences de mise à la terre dans la région.**

Figure 8 - Mise à la terre de la génératrice



Une bonne mise à la terre de la génératrice aidera à empêcher des décharges électriques dans le cas d'une mise à la masse défectueuse dans la génératrice ou dans des appareils électriques branchés. Une mise à la terre correcte aide aussi à dissiper l'électricité statique qui s'accumule souvent dans des appareils non mis à la masse.

2.4.2 BRANCHEMENT DES CHARGES ÉLECTRIQUES

NE PAS brancher des charges de 240 volts à des prises de 120 volts. **NE PAS** brancher des charges triphasées à la génératrice. **NE PAS** brancher des charges de 50 Hz à la génératrice.

- Donner quelques minutes au moteur pour se stabiliser et chauffer après sa mise en route.
- Brancher et mettre en route les charges électriques 60 Hz, monophasées, 120 ou 240 volts CA.
- Faire la somme de la puissance nominale (ou Ampères) de toutes les charges qui doivent être branchées en même temps. Ce total ne doit pas dépasser (a) la capacité nominale puissance/intensité de la génératrice ou (b) le nominal du disjoncteur de la prise fournissant le courant. Voir « Ne pas surcharger la génératrice ».

2.5 NE PAS SURCHARGER LA GÉNÉRATRICE

Surcharger une génératrice au-delà de sa capacité de puissance nominale peut causer des dommages à la génératrice et aux appareils électriques branchés. Observer ce qui suit pour empêcher la surcharge de l'appareil :

- Faire la somme de la puissance de tous les appareils électriques branchés en même temps. Cette somme NE doit PAS être supérieure à la capacité de puissance de la génératrice.
 - On trouve la puissance nominale des lumières sur les ampoules électriques. On peut normalement trouver la puissance nominale des outils, appareils et moteurs sur une étiquette ou décalcomanie de données fixée sur l'appareil.
 - Si l'appareil, l'outil ou le moteur ne donne pas la puissance, multiplier les volts par le nominal d'intensité pour déterminer la puissance (volts x ampères = watts).
 - Certains moteurs électriques, comme les moteurs à induction, ont besoin de trois fois plus de watts pour se mettre en route que pour fonctionner. Cette poussée de puissance ne dure que quelques secondes quand on fait démarrer ce type de moteur. Ne pas oublier de tenir compte de cette forte puissance de démarrage quand on choisit les appareils électriques à brancher à la génératrice :
1. Évaluer le nombre de watts nécessaires pour faire démarrer le plus gros moteur.
 2. Ajouter à ce chiffre les watts de fonctionnement (en marche) de toutes les charges branchées.

Le guide de référence de puissance est fourni pour aider à déterminer le nombre d'appareils que la génératrice peut alimenter à la fois.

REMARQUE :

Tous les chiffres sont approximatifs. Voir l'étiquette des données sur l'appareil pour les besoins de puissance.

2.6 GUIDE DE RÉFÉRENCE DE PUISSANCE

Appareil	Watts (en marche)
Ampoule	100
Brûleur à mazout sur appareil de chauffage	300
Cafetière	1 750
Chargeur de batterie (20 A)	500
Clé à chocs	500
*Climatiseur (12 000 Btu)	1 700
*Climatiseur (24 000 Btu)	3 800
*Climatiseur (40 000 Btu)	6 000
*Compresseur (1/2 CV)	1 400
*Compresseur (3/4 CV)	1 800
*Compresseur (1 CV)	2 000
*Congélateur	700
Coupe-bordure	500
Couverture électrique	400
Cuisinière électrique (par élément)	1 500
*Déshumidificateur	650
Fer	1 200
Fer à friser	700
Four à micro-ondes	700 à 1 000
Grille-pain	1 000 à 1 650
*Machine à laver le linge	1 150
Mijoteuse	200
*Ouvre-porte de garage	500 à 750
Perceuse	250 à 1 100
*Pistolet à peinture, sans air comprimé (1/3 CV)	600
Pistolet à peinture, sans air comprimé (à main)	150
Pistolet gonjonneur électrique	1 200

Poêle électrique	1 250
*Pompe à jet	800
*Pompe de puisard	800 à 1 050
*Pompe submersible (1/2 CV)	1 500
*Pompe submersible (1 CV)	2 000
*Pompe submersible (1-1/2 CV)	2 800
Ponceuse à bande de 7,6 cm (3 po)	1 000
Ponceuse à disque (9 po)	1 200
Radiateur électrique portatif à mazout (30 000 Btu)	150
Radiateur électrique portatif à mazout (85 000 Btu)	225
Radiateur électrique portatif à mazout (140 000 Btu)	400
Radio	50 à 200
*Réfrigérant à lait	1 100
*Réfrigérateur	700
Scie à chaîne	1 200
Scie circulaire (6 1/2 po)	800 à 1 000
Sèche-cheveux	1 200
*Sécheuse (Électrique)	5750
*Sécheuse (Gaz)	700
*Table de sciage (10 po)	1 750 à 2 000
Taille-haies	450
Télévision	200 à 500
Tondeuse	1 200
Tondeuse à fil	500
*Ventilateur d'appareil de chauffage (3/5 CV)	875

* Le démarrage de ces appareils nécessitera trois fois la puissance indiquée en watts.

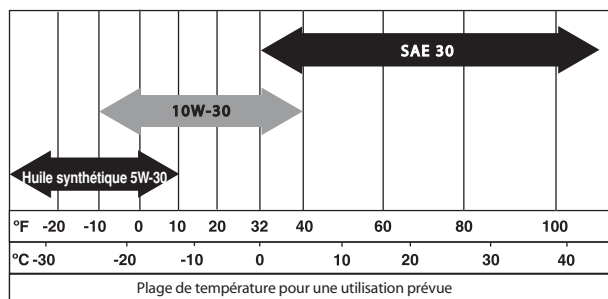
2.7 AVANT LA MISE EN ROUTE DE LA GÉNÉRATRICE

Avant d'utiliser la génératrice, il faut ajouter de l'huile et de l'essence comme suit :

2.7.1 AJOUT DE L'HUILE DE MOTEUR

L'huile doit être au moins American Petroleum Institute (API) Service Class SJ, SL ou mieux. N'utiliser aucun additif spécial. Choisir la viscosité de l'huile suivant la température de fonctionnement anticipée (voir aussi le tableau).

- Au dessus de 4 °C (40 °F), utiliser SAE 30
- En dessous de 4 °C (40 °F) et jusqu'à -12 °C (10 °F), utiliser 10W-30
- En dessous de -12 °C (10 °F), utiliser de l'huile synthétique 5W-30



⚠ ATTENTION !

⚠ Toute tentative de mise en route du moteur avant qu'il ait été correctement maintenu avec l'huile recommandée peut entraîner une panne de moteur.

- Mettre la génératrice sur une surface plane.
- Nettoyer autour du bouchon d'huile et enlever le bouchon et la jauge.
- Nettoyer la jauge.
- Remplir lentement le moteur d'huile au travers de l'ouverture jusqu'à ce que la marque de « plein » soit atteinte. S'arrêter de remplir de temps en temps pour vérifier le niveau d'huile. **Faire attention de ne pas trop remplir.**
- Remettre le bouchon et serrer avec les doigts.
- À partir de maintenant, vérifier chaque fois le niveau d'huile du moteur avant de mettre en route.

2.7.2 AJOUT DE L'ESSENCE

⚠ DANGER!

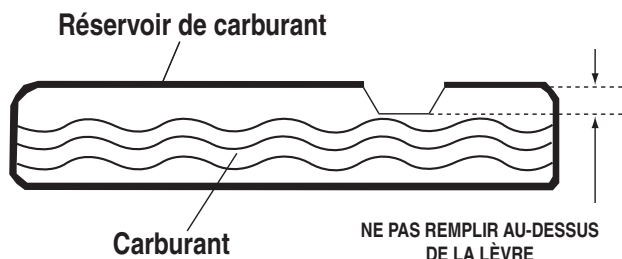
⚠ Ne jamais remplir le réservoir à l'intérieur. Éviter de renverser de l'essence sur un moteur chaud. Ne jamais remplir le réservoir quand le moteur est en route ou chaud. Laisser refroidir l'appareil/moteur complètement avant d'ajouter du carburant. NE PAS allumer de cigarette et ne pas fumer quand on remplit le réservoir. L'essence est extrêmement inflammable et ses vapeurs sont explosives.

⚠ ATTENTION !

⚠ Ne pas trop remplir le réservoir de carburant. Toujours laisser de l'espace pour l'expansion du carburant. Si le réservoir à carburant est trop rempli, le carburant peut déborder sur un moteur chaud et causer un INCENDIE ou une EXPLOSION.

- Utiliser d'essence ordinaire SANS PLOMB dans le moteur de la génératrice. Ne pas ajouter d'essence contenant plus de 10 % d'éthanol. Ne pas utiliser de l'essence E85. Ne pas mélanger l'huile avec l'essence.
- Nettoyer autour du bouchon, enlever le bouchon.
- Ajouter doucement de l'essence ordinaire sans plomb au réservoir. Remplir jusqu'au fond du filtre à grille. **Attention de ne pas trop remplir** (Figure 9).
- Mettre le bouchon de carburant et essuyer toute l'essence renversée.

Figure 9 - Réservoir de carburant



IMPORTANT : Il est important d'éviter des parties du système de carburant comme le carburateur, le tuyau de carburant ou le réservoir se gommant quand l'appareil est rangé. Les carburants contenant de l'alcool (appelés gazohol, éthanol ou méthanol) peuvent attirer l'humidité, ce qui amène à la séparation et à la formation d'acides pendant le rangement. Les gaz acides peuvent endommager le système de carburant d'un moteur pendant qu'il est rangé. Pour éviter des problèmes avec le moteur, le système de carburant doit être vidé avant de ranger l'appareil pendant 30 jours ou plus. Voir la section « Rangement ». Ne jamais utiliser de produits de nettoyage de carburateur ou de moteur dans le réservoir de carburant, car ils peuvent causer des dommages permanents.

2.8 DÉMARRAGE DU MOTEUR

⚠ AVERTISSEMENT !

⚠ Ne jamais mettre en route ou arrêter le moteur avec des appareils électriques branchés dans les prises ET avec les appareils en marche.

- Débrancher toutes les charges électriques des prises de l'appareil avant de mettre le moteur en route.
- S'assurer que l'appareil est à niveau.
- OUVRIER le robinet d'arrêt du carburant (Figures 10 et 11).

Figure 10 - Robinet d'arrêt du carburant

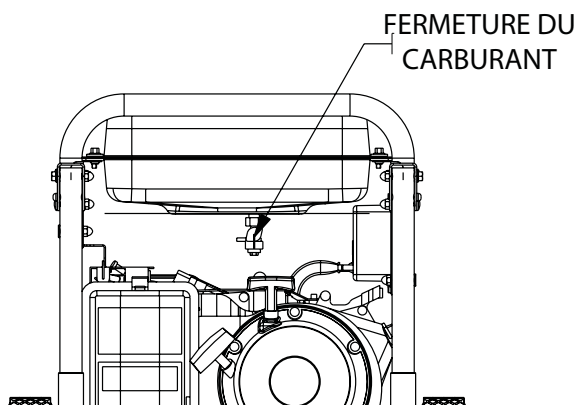
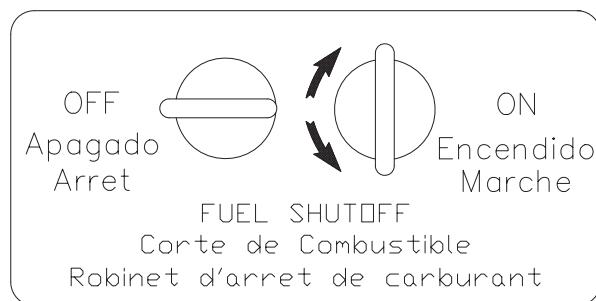


Figure 11 - Arrêt du carburant

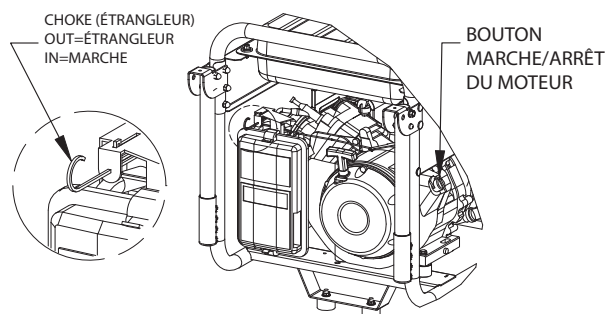


- Mettre le bouton RUN/STOP (Marche/Arrêt) sur ON (marche) (Figure 12).
- Tirer le bouton CHOKE (Étrangleur) du moteur vers l'extérieur en position FULL CHOKE (Figure 12).
- Pour mettre le moteur en route, bien attraper le lanceur et tirer doucement jusqu'à ce qu'on sente une résistance accrue. Tirer rapidement vers le haut et au loin.
- Quand le moteur démarre, mettre le bouton de l'étrangleur sur 1/2 CHOKE jusqu'à ce que le moteur tourne sans heurts puis le mettre entièrement sur la position RUN. En cas de défaillance du moteur, remettre le levier de l'étrangleur sur 1/2 CHOKE jusqu'à ce que le moteur tourne sans heurts puis le mettre sur la position RUN.

REMARQUE :

Si le moteur se déclenche mais ne continue pas à fonctionner, déplacer le levier de l'étrangleur sur FULL CHOKE et recommencer en suivant les instructions de mise en route.

Figure 12 - Position de l'étrangleur



IMPORTANT : Ne pas surcharger la génératrice. Ne pas surcharger non plus les prises de panneau individuelles. Ces prises sont protégées contre les surcharges par des disjoncteurs du type « pousser et réenclencher ». Si le nominal d'intensité d'un disjoncteur est dépassé, ce disjoncteur s'ouvre et le débit électrique à cette prise est perdu. Lire attentivement « Ne pas surcharger la génératrice ».

2.9 ARRÊT DU MOTEUR

- Éteindre toutes les charges puis les débrancher des prises du panneau de la génératrice. Ne jamais mettre en route ou arrêter le moteur avec des appareils électriques branchés et en marche.
- Laisser tourner le moteur sans charge pendant quelques minutes pour stabiliser les températures internes du moteur et de la génératrice.
- Mettre l'interrupteur RUN/STOP (marche/arrêt) sur OFF (arrêt).
- Fermer le robinet d'arrêt du carburant.

2.10 SYSTÈME D'ARRÊT EN CAS DE FAIBLE NIVEAU D'HUILE

Le moteur est équipé d'un capteur de faible niveau d'huile qui coupe le moteur automatiquement quand le niveau d'huile tombe au dessous d'un niveau spécifié. Si le moteur s'arrête de lui-même et si le réservoir à carburant a assez d'essence, vérifier le niveau d'huile dans le moteur.

2.10.1 DÉTECTION DE FAIBLE NIVEAU D'HUILE

Si le système détecte un niveau d'huile faible pendant le fonctionnement, le moteur s'arrête. Le moteur ne fonctionnera pas tant que le réservoir d'huile n'a pas été rempli au niveau correct.

3.1 CALENDRIER D'ENTRETIEN

Suivre les intervalles du calendrier. Un entretien plus fréquent est requis quand l'appareil est utilisé dans les conditions défavorables notées ci-dessous.

Vérifier le niveau d'huile	À chaque utilisation
Changement d'huile	* Toutes les 100 heures ou chaque saison
Vérifier le jeu de soupape	*** Chaque saison
Entretien du filtre à air	** Toutes les 200 heures ou chaque saison
Remettre la bougie	Chaque saison

* Changer l'huile et le filtre à huile chaque mois quand l'appareil fonctionne sous forte charge ou à hautes températures.
 ** Nettoyer plus souvent quand le fonctionnement est dans des conditions sales et poussiéreuses. Remplacer les pièces de filtre à air qui ne peuvent pas être nettoyées correctement.
 *** Vérifier le jeu de soupape. Si nécessaire régler après les 50 premières heures de fonctionnement et toutes les 100 heures ensuite.

3.2 SPÉCIFICATIONS DE L'APPAREIL

3.2.1 SPÉCIFICATIONS DE LA GÉNÉRATRICE

Puissance nominale.....	5,0/5,5/6,5 kW**
Puissance de pointe.....	6,25/6,88/8,0 kW
Nominal de tension CA.....	120/240
Charge nominale CA	
Courant à 240V (5,0/5,5/6,5 kW).....	20,8 A/22,9/27,1 A**
Courant à 120V (5,0/5,5/6,5 kW).....	41,7 A/45,8/54,2 A**
Fréquence nominale.....	60 Hz @ 3 600 RPM
Phase.....	Monophasée

** La tension et le courant maximum sont soumis à, et limités par, des facteurs comme le contenu Btu du carburant, la température ambiante, l'altitude, la condition du moteur, etc. La puissance maximale diminue d'environ 3,5 % par 1 000 pieds au dessus du niveau de la mer et diminue d'environ 1 % par 6 °C (10 °F) au dessus d'une température ambiante de 16 °C (60 °F).

3.2.2 SPÉCIFICATIONS DU MOTEUR

Déplacement.....	389 cm ³
Type de bougie.....	NHSP F7RTC ou Champion RN9YC
Écartement des électrodes de bougie (5,0/6,5 kW)...	0,70-0,80 mm (0,028-0,031 po)
Contenance du réservoir d'essence.....	6,6 gallons US
Type d'huile.....	Voir le tableau dans « Avant la mise en route de la génératrice »
Contenance du réservoir d'huile.....	1,1 L (1,16 pintes)
Émission certifiée Classe II*	

* Le fabricant du moteur doit garantir le système de contrôle d'émission pendant une période de deux ans. Cette couverture de garantie est en plus de la garantie fournie par Generac et peut couvrir le moteur même si la garantie de Generac ne le fait pas.

3.3 RECOMMANDATIONS GÉNÉRALES

La garantie de la génératrice ne couvre pas les articles qui ont été soumis aux abus de l'utilisateur ou à sa négligence. Pour recevoir la pleine valeur de la garantie, l'opérateur doit maintenir la génératrice de la façon indiquée dans ce manuel.

Il faut faire certains réglages de temps en temps pour entretenir correctement la génératrice.

Il faut faire tous les réglages de la section entretien de ce manuel au moins une fois par saison. Respecter les exigences du « Calendrier d'entretien ».

REMARQUE :

Changer la bougie et le filtre à air une fois par an. Une nouvelle bougie et un filtre à air propre assurent un mélange correct air-carburant et aide le moteur à mieux tourner et à durer plus longtemps.

3.3.1 ENTRETIEN DE LA GÉNÉRATRICE

L'entretien de la génératrice consiste à garder l'appareil propre et sec. Utiliser et ranger l'appareil dans un environnement propre et sec où il ne sera pas exposé à un excès de poussière, de saleté, d'humidité ou de vapeurs corrosives. Les fentes de refroidissement d'air dans la génératrice ne doivent jamais être obstruées par la neige, les feuilles ou tout autre matériau.

Vérifier souvent la propreté de la génératrice et la nettoyer quand on peut voir de la poussière, de la saleté, de l'huile, de l'humidité et d'autres substances sur sa surface extérieure.

⚠ ATTENTION !

⚠ Ne jamais insérer objets ou outils au travers des fentes de refroidissement par air, même si le moteur ne tourne pas.

REMARQUE :

NE PAS nettoyer la génératrice avec un tuyau de jardin. L'eau peut entrer dans le système de carburant du moteur et causer des problèmes. De plus, si l'eau entre dans la génératrice par les fentes de refroidissement par air, de l'eau peut stagner dans les vides et fissures du rotor et de l'isolant du bobinage du stator. L'accumulation d'eau et de saleté sur le bobinage interne de la génératrice finira par diminuer la résistance d'isolation de ces bobinages.

3.3.2 NETTOYAGE DE LA GÉNÉRATRICE

- Utiliser un chiffon humide pour essuyer l'extérieur des surfaces.
- On peut utiliser une brosse douce pour enlever la saleté ou l'huile, etc. agglomérée.
- On peut utiliser un aspirateur pour enlever les débris et la saleté non collés.
- On peut utiliser de l'air comprimé à faible pression (ne pas dépasser 25 psi) pour expulser la saleté. Inspecter les fentes de refroidissement par air et les ouvertures de la génératrice. Il faut garder ces ouvertures propres et sans obstructions.

3.3.3 ENTRETIEN DU MOTEUR

⚠ DANGER!

⚠ Toujours débrancher le câble négatif de la batterie quand on travaille sur la génératrice. Toujours débrancher les fils de bougie de la bougie et séparer le fil de bougie.

3.3.4 VÉRIFICATION DU NIVEAU D'HUILE

Voir la section « Avant la mise en route de la génératrice » pour informations sur la vérification du niveau d'huile. Il faut vérifier le niveau d'huile avant chaque utilisation ou au moins toutes les huit heures de fonctionnement. Garder l'huile à niveau.

3.3.5 CHANGEMENT D'HUILE

Changer l'huile toutes les 100 heures. Changer l'huile plus souvent si on utilise l'appareil dans des conditions de saleté et de poussière ou quand il fait extrêmement chaud.

⚠ ATTENTION !

⚠ L'huile chaude peut causer des brûlures. Laisser refroidir le moteur avant de vidanger. Éviter d'exposer la peau à l'huile usagée d'une façon prolongée ou répétée. Laver soigneusement au savon les zones exposées.

REMARQUE :

Quand cela est possible, faire tourner le moteur pendant environ cinq (5) minutes pour faire chauffer l'huile du moteur. Cela aidera à la vidange.

Utiliser les instructions suivantes pour changer l'huile quand le moteur est toujours tiède :

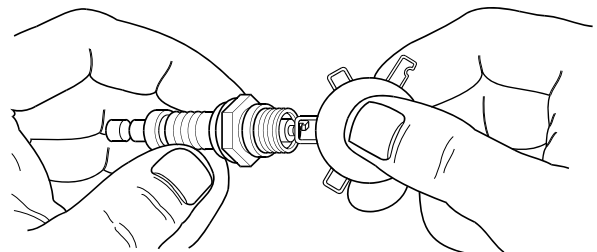
- Nettoyer la zone autour du bouchon de vidange d'huile.
- Enlever le bouchon de vidange du moteur et le bouchon de remplissage d'huile pour vidanger complètement l'huile dans un récipient approprié.
- Une fois l'huile complètement vidangée, mettre le bouchon de vidange et bien serrer.
- Remplir le carter d'huile avec l'huile recommandée. (Voir « Avant la mise en route de la génératrice » pour recommandations sur l'huile).
- Essuyer toute l'huile renversée.
- Jeter l'huile usagée dans un centre de ramassage approprié.

3.3.6 REMPLACEMENT DE LA BOUGIE

Utiliser une bougie Champion RN9YC ou équivalent. **Remplacer la bougie une fois par an.** Cela contribuera à faire mieux démarrer et tourner le moteur.

1. Arrêter le moteur et tirer le fil de bougie de la bougie.
2. Nettoyer autour de la bougie et l'enlever de la tête de cylindre.
3. Régler l'écartement à 0,70-0,80 mm (0,028-0,031 po). Installer la bougie avec l'écartement correct dans la tête de cylindre (Figure 13).

Figure 13 - Écartement des électrodes de la bougie



3.4 ENTRETIEN DU FILTRE À AIR

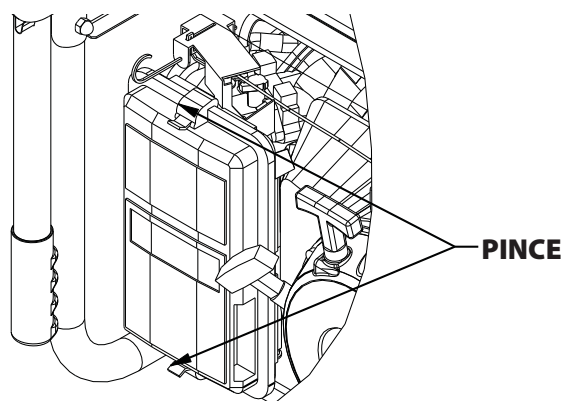
Le moteur ne fonctionne pas correctement et peut être endommagé si on utilise un filtre à air sale. Nettoyer le filtre à air toutes les 200 heures ou une fois par an (Figure 14). Nettoyer et remplacer plus souvent quand on utilise l'appareil dans des conditions poussiéreuses.

- Enlever le couvercle du filtre à air.
- Laver à l'eau savonneuse. Presser le filtre dans un chiffon propre (NE PAS TORDRE).
- Nettoyer le couvercle du filtre à air avant de le remettre.

REMARQUE :

Pour commander un filtre à air neuf, contacter le centre de réparations autorisé le plus proche en appelant 1 888 436-3722.

Figure 14 - Filtre à air



3.5 JEU DE SOUPAPE

- Entrée – $0,15 \pm 0,02$ mm (froid), (0,006 po \pm 0,0008 po)
- Échappement – $0,0020 \pm 0,02$ mm (froid), (0,008 po \pm 0,0008 po)

Après les premières 50 heures de fonctionnement, vérifier le jeu de soupape dans le moteur et régler si nécessaire.

Important : Si l'on n'est pas à l'aise pour faire cette procédure ou si les outils appropriés ne sont pas disponibles, apporter la génératrice au centre de réparations le plus proche pour faire régler le jeu de soupape. C'est une étape très importante qui assure la vie utile la plus longue possible du moteur.

3.6 GÉNÉRALITÉS

Il faut mettre en route la génératrice au moins une fois tous les sept jours et la laisser tourner pendant au moins 30 minutes. Si cela n'est pas possible et s'il faut ranger l'appareil pendant plus de 30 jours, utiliser les informations suivantes comme guide à la préparation pour le rangement.

⚠ DANGER!

⚠ **NE JAMAIS** ranger le moteur avec du carburant dans le réservoir à l'intérieur, dans un endroit mal aéré où les émanations peuvent atteindre une flamme nue, une étincelle ou une veilleuse comme dans le cas d'un système de chauffage, d'un chauffe-eau, d'un sèche-linge ou d'un autre appareil à gaz.

3.7 RANGEMENT À LONG TERME

Il est important d'éviter des parties du système de carburant comme le carburateur, le tuyau de carburant ou le réservoir se gommant quand l'appareil est rangé. L'expérience montre également que les carburants à alcool (appelés gazohol, éthanol ou méthanol) peuvent attirer l'humidité, ce qui amène à la séparation et à la formation d'acides pendant le rangement. Les gaz acides peuvent endommager le système de carburant d'un moteur pendant qu'il est rangé.

Pour éviter des problèmes avec le moteur, le système de carburant doit être vidé avant de ranger l'appareil pendant 30 jours ou plus :

- Enlever toute l'essence du réservoir.

⚠ DANGER!

⚠ **Vidanger le carburant à l'extérieur, dans un récipient approuvé et loin d'une flamme nue. S'assurer que le moteur est froid. Ne pas fumer.**

- Mettre en route et faire tourner le moteur jusqu'à ce qu'il s'arrête par manque de carburant.
- Pendant que le moteur est toujours tiède, vidanger l'huile du carter. Remplir avec le type d'huile recommandé.
- Enlever les bougies et verser environ 1/2 once (15 ml) d'huile de moteur dans les cylindres. Couvrir le trou de la bougie avec un chiffon. Tirer le lanceur une fois ou deux pour lubrifier les segments de piston et l'alésage du cylindre.

⚠ ATTENTION !

⚠ **Éviter la vaporisation des trous de bougies quand on lance le moteur.**

- Installer et serrer les bougies. Ne pas brancher les fils de bougies.
- Nettoyer les surfaces extérieures de la génératrice. Vérifier que les fentes de refroidissement par air et les ouvertures sur la génératrice sont ouvertes et non obstruées.
- Ranger l'appareil dans un endroit sec et propre.

3.8 AUTRES CONSEILS SUR LE RANGEMENT

- Ne pas ranger de l'essence d'une saison à l'autre.
- Remplacer le bidon d'essence s'il commence à se rouiller. Rouille et/ou saleté dans l'essence causeront des problèmes avec le carburateur et le système de carburant.
- Si possible, ranger l'appareil à l'intérieur et le couvrir pour le protéger de la poussière et de la saleté. **NE PAS OUBLIER DE VIDER LE RÉSERVOIR DE CARBURANT.**
- S'il n'est pas pratique de vider le réservoir de carburant et si l'appareil doit être rangé pendant un certain temps, ajouter un stabilisateur de carburant du commerce à l'essence pour augmenter la vie utile de l'essence.
- Couvrir l'appareil de façon appropriée qui ne retienne pas l'humidité.

⚠ DANGER!

⚠ **NE JAMAIS** couvrir la génératrice tant que le moteur et l'échappement sont encore chauds.

4.1 GUIDE DE DÉPISTAGE DES PANNES

PROBLÈME	CAUSE	CORRECTION
Le moteur tourne mais aucune sortie CA n'est disponible.	<ol style="list-style-type: none"> 1. Le disjoncteur est ouvert. 2. Mauvaise connexion ou cordon électrique défectueux. 3. L'appareil branché ne fonctionne pas. 4. Problème avec la génératrice. 	<ol style="list-style-type: none"> 1. Remettre le disjoncteur. 2. Vérifier et réparer. 3. Brancher un autre appareil en bon état. 4. Contacter un réparateur autorisé.
Le moteur tourne bien mais piétine quand les charges sont connectées.	<ol style="list-style-type: none"> 1. Court-circuit dans une charge connectée. 2. La génératrice est surchargée. 3. La vitesse du moteur est insuffisante. 4. Court-circuit de la génératrice. 	<ol style="list-style-type: none"> 1. Débrancher la charge électrique court-circuitée. 2. Voir « Ne pas surcharger la génératrice ». 3. Contacter un réparateur autorisé. 4. Contacter un réparateur autorisé.
Le moteur ne démarre pas, ou démarre et marche mal.	<ol style="list-style-type: none"> 1. Le robinet d'arrêt du carburant est sur OFF. 2. Filtre à air sale. 3. Panne d'essence. 4. Essence trop vieille. 5. Fil de bougie pas branché à la bougie. 6. Bougie défectueuse. 7. Eau dans l'essence. 8. Trop d'étrangleur. 9. Niveau d'huile bas. 10. Mélange de carburant trop riche. 11. Soupape d'admission coincée en position ouverte ou fermée. 12. Le moteur a perdu la compression. 	<ol style="list-style-type: none"> 1. Mettre le robinet d'arrêt du carburant sur ON. 2. Nettoyer ou remplacer le filtre à air. 3. Remplir le réservoir à carburant. 4. Vidanger le réservoir et remplir avec du carburant neuf. 5. Brancher le fil à la bougie. 6. Remettre la bougie. 7. Vidanger le réservoir et remplir avec du carburant neuf. 8. Mettre le bouton de l'étrangleur sur la position No Choke. 9. Remplir le carter au niveau correct. 10. Contacter un réparateur autorisé. 11. Contacter un réparateur autorisé. 12. Contacter un réparateur autorisé.
Le moteur s'arrête pendant utilisation.	<ol style="list-style-type: none"> 1. Panne d'essence. 2. Niveau d'huile bas. 3. Problème dans le moteur. 	<ol style="list-style-type: none"> 1. Remplir le réservoir à carburant. 2. Remplir le carter au niveau correct. 3. Contacter un réparateur autorisé.
Le moteur n'est pas assez puissant.	<ol style="list-style-type: none"> 1. La charge est trop élevée. 2. Filtre à air sale. 3. Il faut faire réparer le moteur. 	<ol style="list-style-type: none"> 1. Voir « Ne pas surcharger la génératrice ». 2. Nettoyer ou remplacer le filtre à air. 3. Contacter un réparateur autorisé.
Le moteur fait des à-coups ou défile.	<ol style="list-style-type: none"> 1. L'étrangleur a été ouvert trop tôt. 2. Le carburateur est trop riche ou pas assez. 	<ol style="list-style-type: none"> 1. Mettre l'étrangleur à mi-chemin jusqu'à ce que le moteur tourne sans heurts. 2. Contacter un réparateur autorisé.

GARANTIE LIMITÉE DE DEUX ANS DE GENERAC POWER SYSTEMS POUR LES GÉNÉRATEURS PORTABLES SÉRIE GP

La société Generac Power Systems, Inc. (Generac) garantit que, pendant une période de deux années à compter de la date d'achat d'origine, ses générateurs série GP ne présenteront aucun défaut matériel ni de fabrication pour les éléments et la période mentionnée ci-après. Generac réparera ou remplacera, comme il le jugera nécessaire, toute pièce jugée défectueuse après un examen, une inspection et un test réalisés par Generac ou un dépositaire de service de garantie agréé par Generac. Tout équipement déclaré défectueux par l'acquéreur / le propriétaire doit être retourné et examiné par le dépositaire de service de garantie agréé par Generac le plus proche. Tous les frais d'envoi à payer dans le cadre de la garantie, dont le retour à l'usine, seront supportés et payés à l'avance par l'acquéreur / le propriétaire. Cette garantie ne s'applique qu'aux générateurs portables de la série GP et n'est pas transférable par l'acquéreur d'origine. Il est conseillé de conserver les preuves d'achat. Si vous ne fournissez pas de preuve de la date d'achat d'origine, la date d'envoi du produit par son fabricant servira à déterminer la période de garantie.

PROGRAMME DE GARANTIE

Les applications des clients sont garanties pendant deux (2) ans. Les applications commerciales et de location sont garanties pendant un (1) an ou 1 000 heures maximum, à la première des deux dates.

APPLICATION DES CLIENTS

ANNEES UNE et DEUX - couverture à 100 % (cent pour cent) pour la main d'œuvre et la/les pièce(s) listées (il est nécessaire de présenter une preuve d'achat et de maintenance) :

- Moteur - tous les composants
- Alternateur - tous les composants

APPLICATIONS COMMERCIALES / DE LOCATION

ANNÉE UNE – couverture à 100 % (cent pour cent) pour la main d'œuvre et la/les pièce(s) listées (il est nécessaire de présenter une preuve d'achat et de maintenance) :

- Moteur - tous les composants
- Alternateur - tous les composants

REMARQUE : Aux fins de la présente garantie, « utilisation du consommateur » désigne une utilisation ménagère personnelle ou récréative de la part de l'acquéreur d'origine. La présente garantie ne s'applique pas aux unités utilisées pour de l'énergie primaire au lieu du réseau lorsque le réseau électrique principal est présent ou n'existe normalement pas. Une fois que le générateur a été utilisé de manière commerciale ou locative, il sera considéré par la suite comme un générateur à utilisation non personnelle dans le cadre de la présente garantie.

Toutes les indemnités de garantie sont soumises aux conditions définies dans le manuel des politiques, procédures et tarifs forfaitaires de garantie de Generac.

LA PRÉSENTE GARANTIE NE S'APPLIQUE PAS AUX ÉLÉMENTS SUIVANTS :

- Les générateurs portables construits par Generac avant mai 2008.
- Les générateurs portables Generac utilisant des pièces de rechange ne provenant pas de Generac.
- Les coûts de maintenance et des modifications normales.
- Les défaillances entraînées par de l'essence ou de l'huile contaminée, ou par l'utilisation de niveaux d'huile non appropriés.
- Les réparations ou diagnostics réalisés par des dépositaires non agréés par Guardian / Generac et non autorisés par écrit par Generac Power Systems.
- Les défaillances dues, sans s'y limiter, à l'usure normale, à des accidents, mauvaises utilisations, usages abusifs, négligence ou utilisation inadaptée. Comme pour tous les dispositifs mécaniques, les moteurs Generac nécessitent une réparation et un remplacement périodiques de leurs pièces pour fonctionner comme prévu. La présente garantie ne couvre pas les réparations lorsque le problème de la ou les pièce(s) ou du moteur découle d'une utilisation normale.
- Les défaillances causées par toute cause extérieure ou tout cas de force majeure, tel qu'un choc, un vol, un acte de vandalisme, une émeute, une guerre, un holocauste nucléaire, un incendie, un gel, la foudre, un séisme, une tempête, la grêle, une éruption volcanique, l'eau ou une inondation, une tornade ou un ouragan.
- Les dommages dus à des rongeurs et / ou insectes.
- Les produits modifiés ou altérés d'une façon n'ayant pas été autorisée par écrit par Generac.
- Les dommages accessoires, importants ou indirects causés par des défaillances matérielles ou de fabrication, ou par tout retard de réparation ou de remplacement de la ou des pièce(s) défectueuses.
- Les défaillances dues à une mauvaise application.
- Les frais de téléphone, de téléphone portable, de fax, d'accès à Internet ou d'autres moyens de communication.
- Les frais d'hébergement ou de transport de la ou des personne(s) réalisant l'entretien, sauf si cela est spécifiquement inclus dans les termes d'une période de garantie d'une unité spécifique.
- Les dépenses liées à l'instruction du client ou au dépannage lorsqu'aucun défaut n'est détecté.
- Les équipements loués utilisés pendant la réalisation des réparations dans le cadre de la garantie.
- Les frais de transport de nuit ou d'envoi spécial de la ou des pièce(s) de rechange.
- Les heures supplémentaires, le travail de jour férié ou en urgence de la main d'œuvre.
- Les batteries de démarrage, fusibles, ampoules et fluides du moteur.

LA PRÉSENTE GARANTIE REMPLACE TOUTES LES AUTRES GARANTIES, IMPLICITES OU EXPLICITES. EN PARTICULIER, GENERAC N'ÉMET AUCUNE GARANTIE DE CONFORMITÉ OU D'USAGE POUR UN OBJECTIF PARTICULIER. Toute garantie implicite autorisée par la loi doit être limitée en durée conformément aux conditions de garantie explicite stipulées dans la présente. Certains états ne permettent pas de poser une limite à la durée de la garantie implicite, la limite susmentionnée ne s'applique donc pas à ces derniers. GENERAC NE SERA RESPONSABLE QUE DE LA RÉPARATION OU DU REMPLACEMENT DE LA OU DES PIÈCES TEL QUE SUSMENTIONNÉ. EN AUCUN CAS GENERAC NE POURRA ÊTRE TENU RESPONSABLE DE TOUT DOMMAGE ACCESSOIRE OU IMPORTANT, MÊME SI CE DOMMAGE DÉCOULE DIRECTEMENT D'UNE NÉGLIGENCE DE GENERAC. Certains états ne permettent pas d'exclure ou de poser une limite aux dommages accessoires ou importants, la limite susmentionnée ne s'applique donc pas à ces derniers. La présente garantie vous confère des droits juridiques spécifiques. Votre état vous confère également d'autres droits.

GENERAC POWER SYSTEMS, INC.

P.O. BOX 8 • Waukesha, WI 53187 • Tél. : (888) GENERAC (436-3722) • Fax : (262) 544-4851

Pour localiser le dépositaire le plus proche, visitez notre site Internet www.generac.com