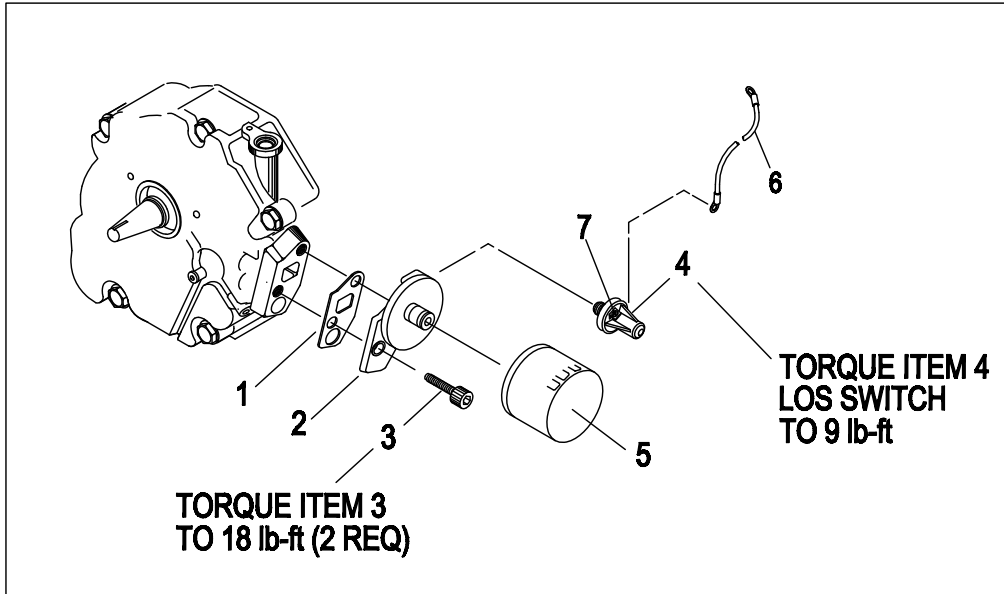


# OIL FILTER OPTION ENGINE PRODUCTION LEVEL 2E



ITEM	PART #	QTY.	DESCRIPTION
1	086999	1	GASKET, OIL FILTER ADAPTOR
2	0D5667	1	ADAPTOR, OIL FILTER NO TAPPED HOLES
3	049821	2	SCREW, SHC MB-1.25 X 30 G12.9
4	0D9235	1	SWITCH, HOBBS OIL PRESSURE 5PSI
5	070185D	1	FILTER OIL 75MM NO LOGO
6	087858N	1	ASSEMBLY, WIRE #0 - 4.5" LONG
7	036916	2	SCREW PPHM#8-32 X 1/4