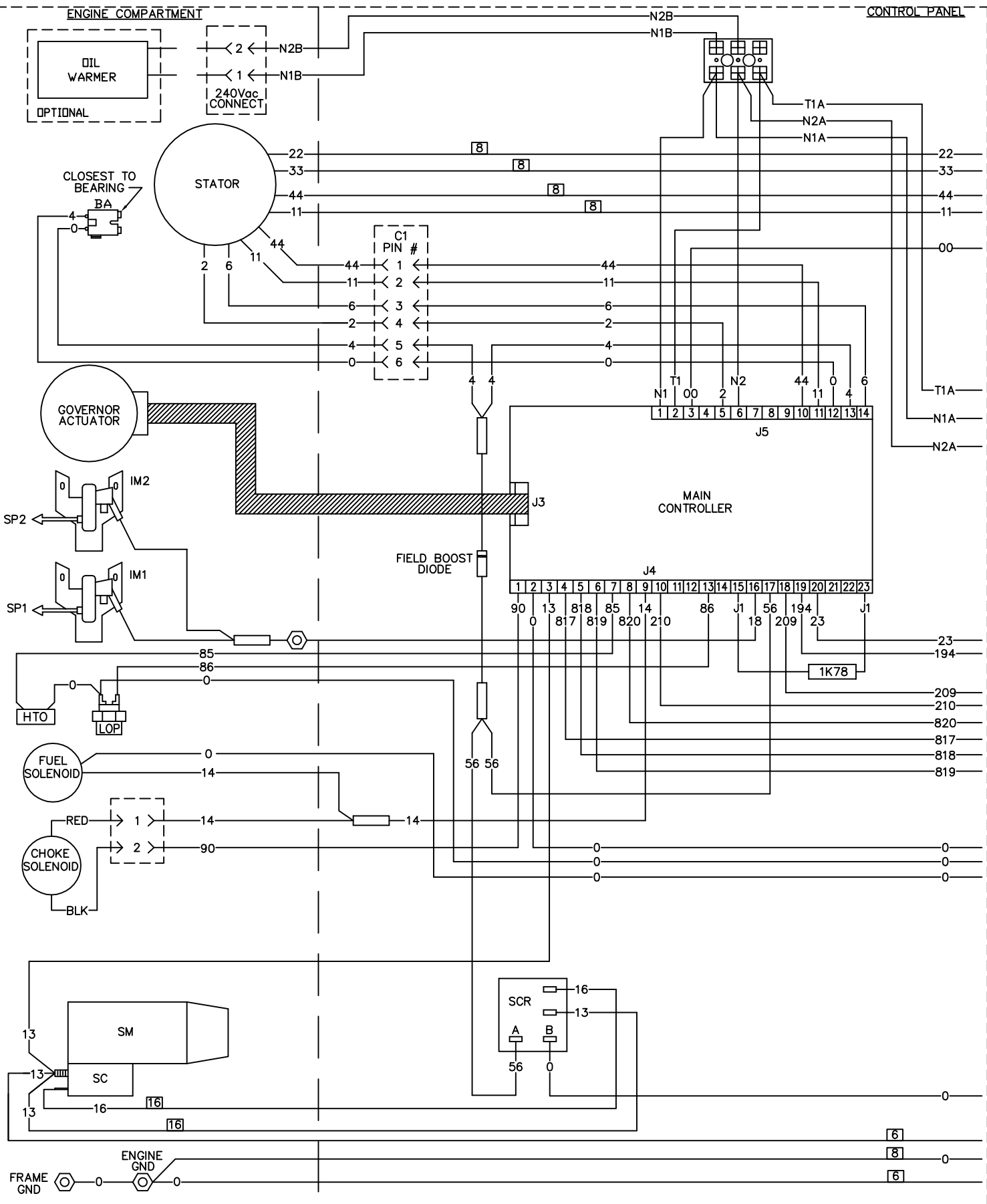


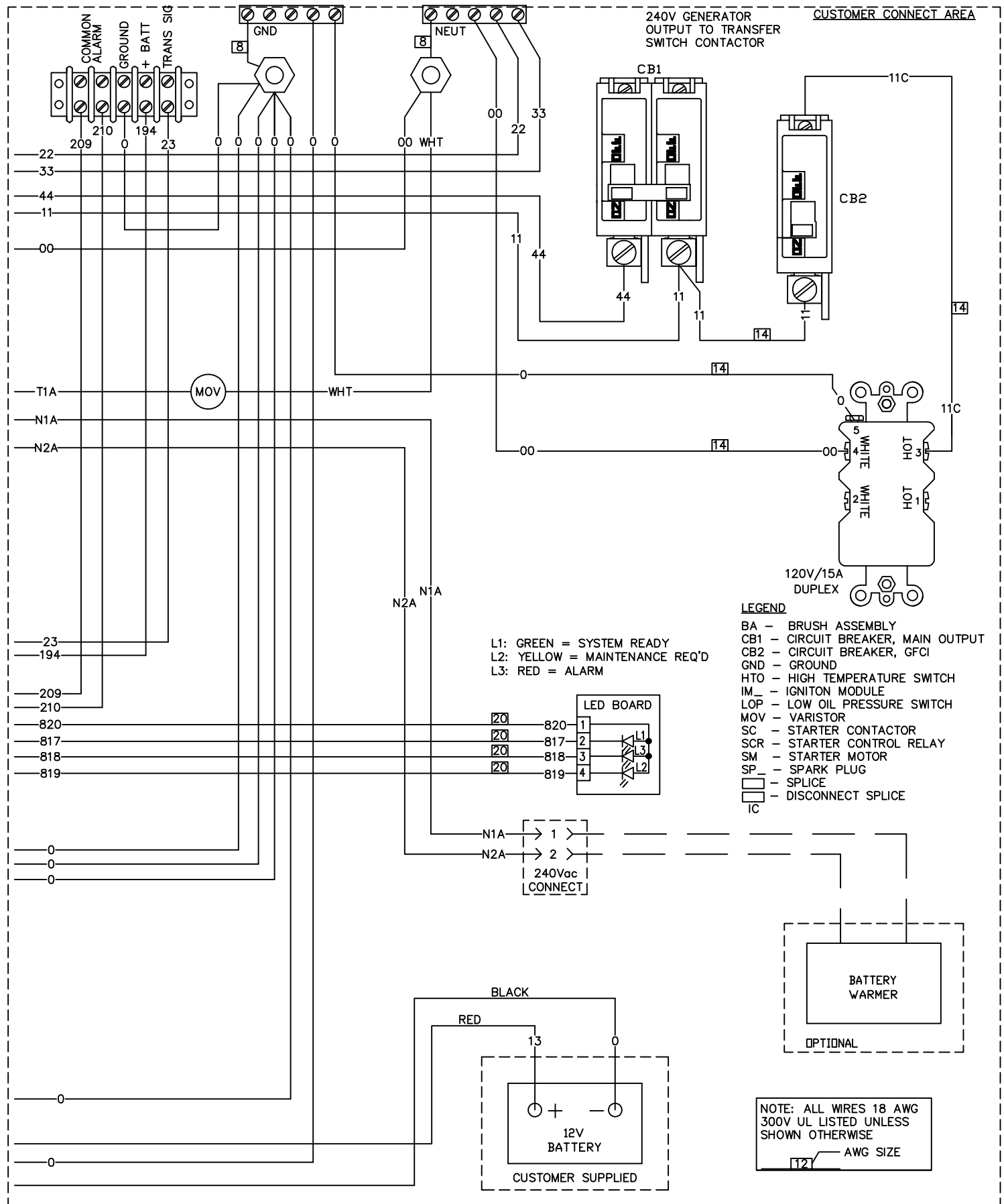
# GROUP G



WIRING - DIAGRAM  
 20kW 2010 AIR COOLED  
 DRAWING #: 0H7570

REVISION: -A-  
 DATE: 04/14/10

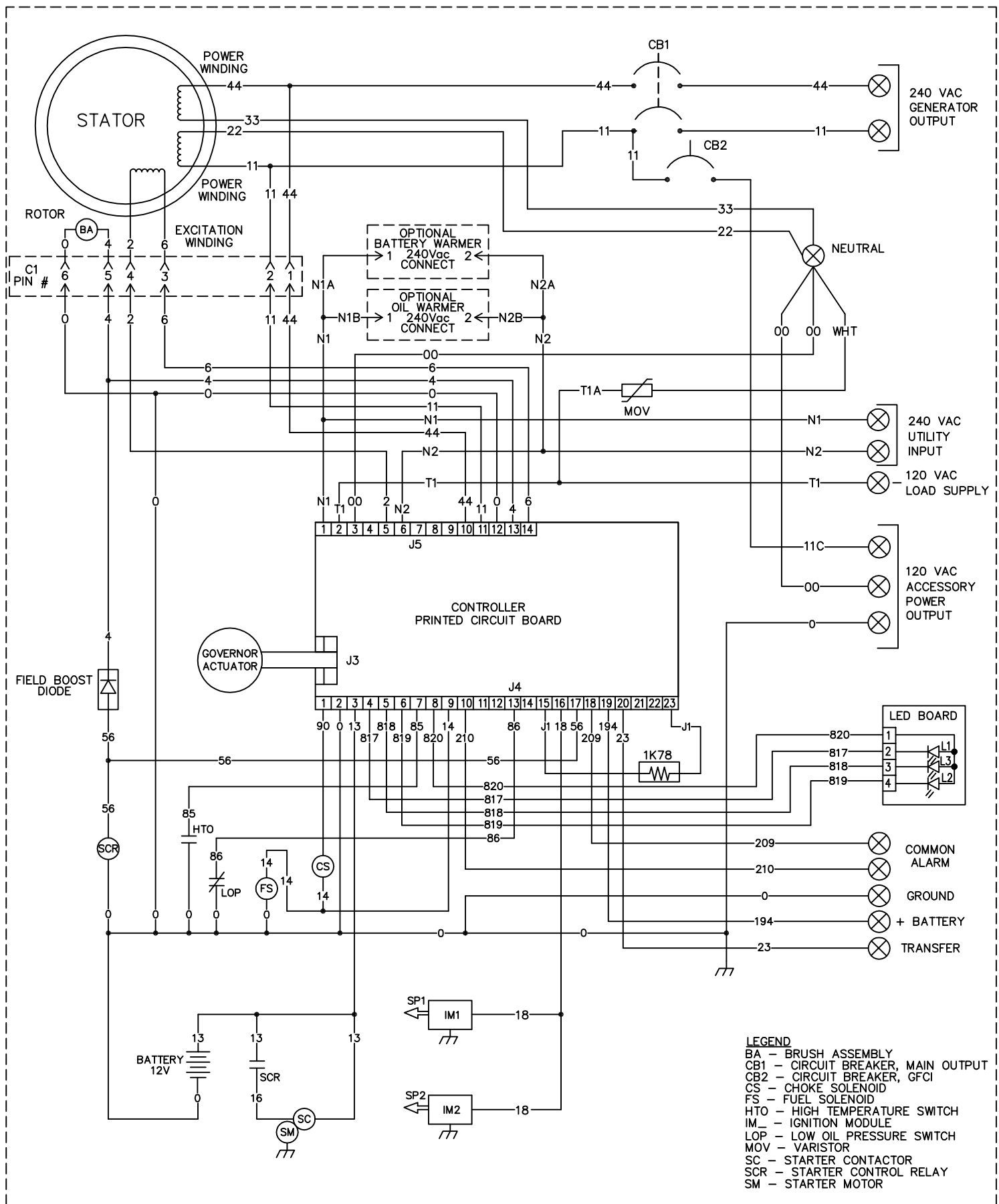
# GROUP G



WIRING - DIAGRAM  
20kW 2010 AIR COOLED  
DRAWING #: 0H7570

REVISION: -A-  
DATE: 04/14/10

# GROUP G



- LEGEND**
- BA - BRUSH ASSEMBLY
  - CB1 - CIRCUIT BREAKER, MAIN OUTPUT
  - CB2 - CIRCUIT BREAKER, GFCI
  - CS - CHOKE SOLENOID
  - FS - FUEL SOLENOID
  - HTO - HIGH TEMPERATURE SWITCH
  - IM - IGNITION MODULE
  - LOP - LOW OIL PRESSURE SWITCH
  - MOV - VARISTOR
  - SC - STARTER CONTACTOR
  - SCR - STARTER CONTROL RELAY
  - SM - STARTER MOTOR

SCHMATIC - DIAGRAM  
 20kW 2010 AIR COOLED  
 DRAWING #: 0H7570

REVISION: -A-  
 DATE: 04/14/10