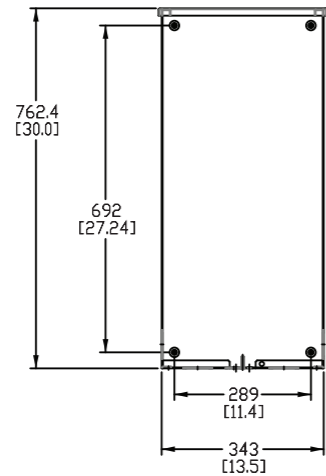
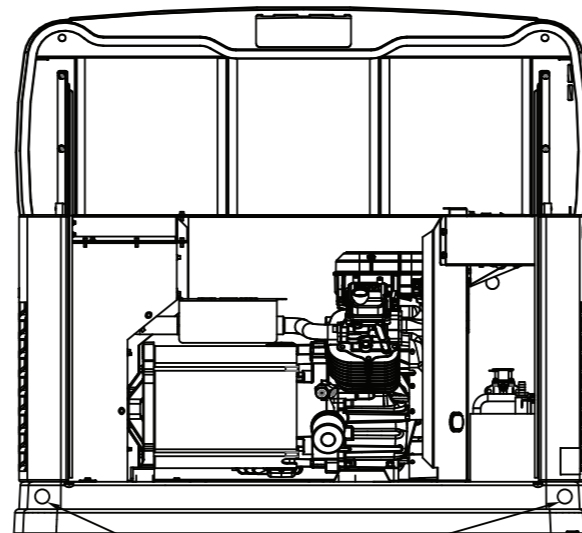


TRANSFER SWITCH
8KW - 17KW
(IF SUPPLIED)

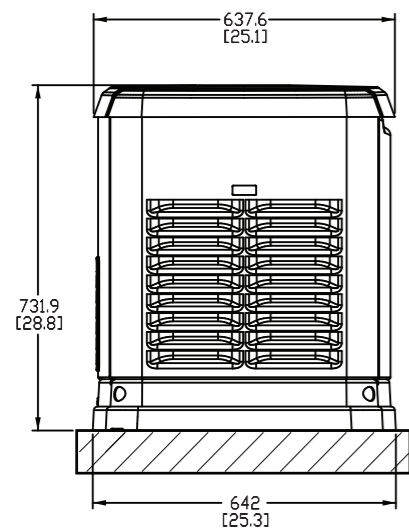


SERVICE ENTRANCE
TRANSFER SWITCH
(IF SUPPLIED)

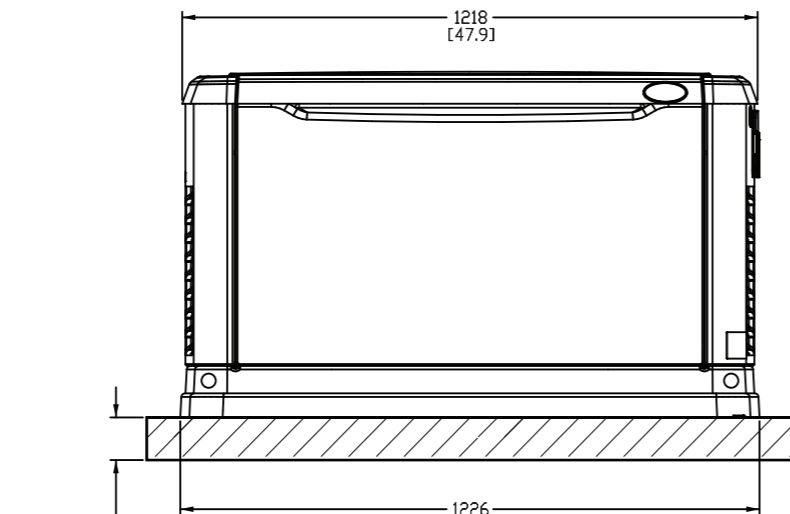


Ø30.2 [Ø1.2]
LIFTING HOLES 4
CORNERS

"DO NOT LIFT BY
ROOF"

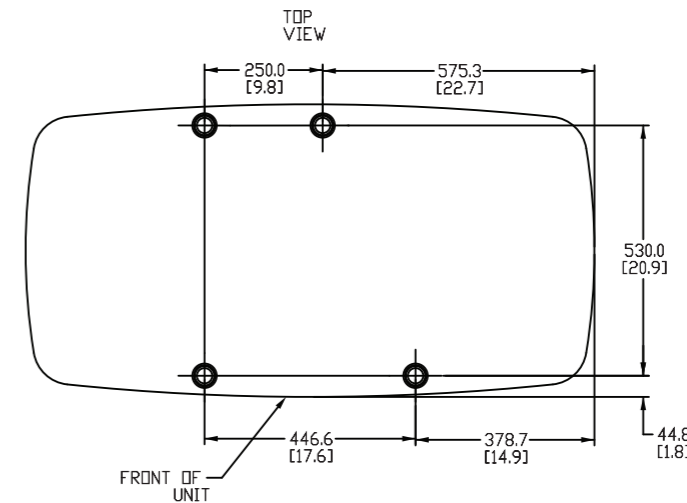
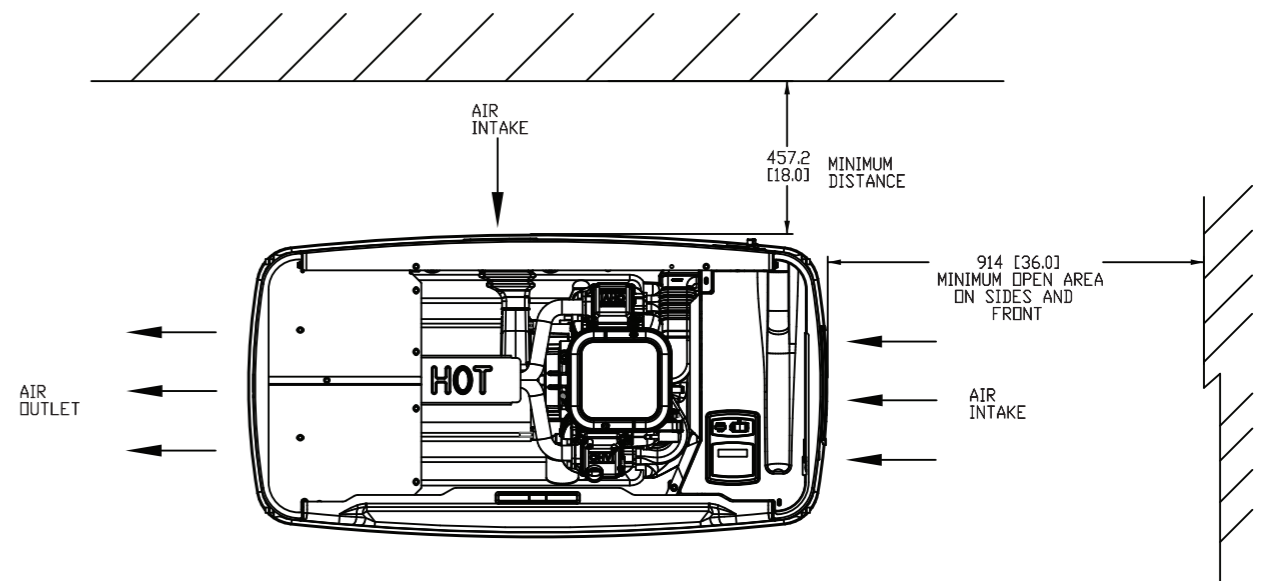


LEFT SIDE
VIEW

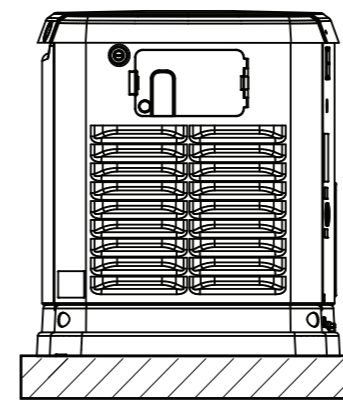


FRONT
VIEW

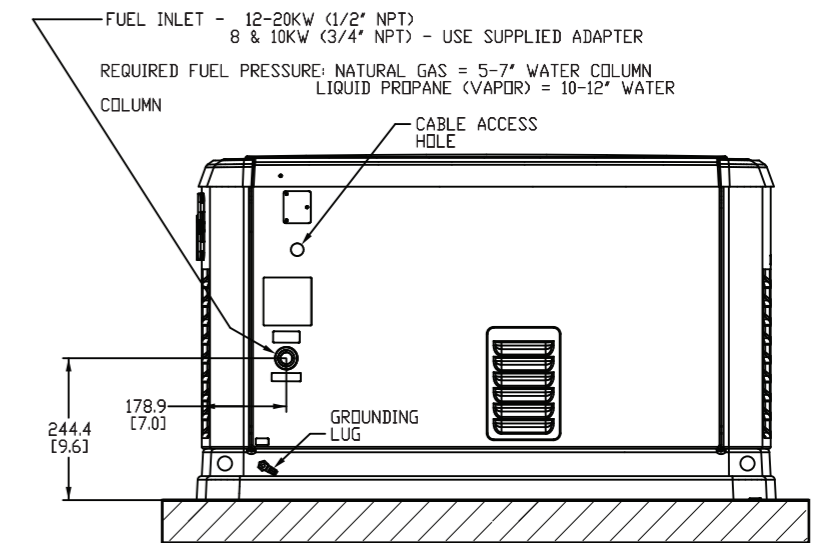
76.2 [3.0]
PEA
GRAVEL
MINIMUM



HOLE LOCATIONS FOR
OPTIONAL MOUNTING
TO
A CONCRETE PAD



RIGHT SIDE
VIEW



REAR
VIEW

FUEL INLET - 12-20KW (1/2" NPT)
8 & 10KW (3/4" NPT) - USE SUPPLIED ADAPTER
REQUIRED FUEL PRESSURE: NATURAL GAS = 5-7" WATER COLUMN
LIQUID PROPANE (VAPOR) = 10-12" WATER
COLUMN

CABLE ACCESS
HOLE

178.9 [7.0]
244.4 [9.6]
GROUNDING
LUG

**ALL DIMENSIONS IN:
MILLIMETERS
[INCHES]

SHEET 1 OF 1		TITLE INSTALL HSB GENERATOR - 2008		GENERAC	
GROUP EV		FIRST USE 2013 HSB	DWN JRG	DWG. NO.	REV
ALL APPROVALS ELECTRONICALLY STORED INSIDE WINDCHILL				DATE 1/25/2008	0G8280 E

Date	Eco No.
1/25/2008	-