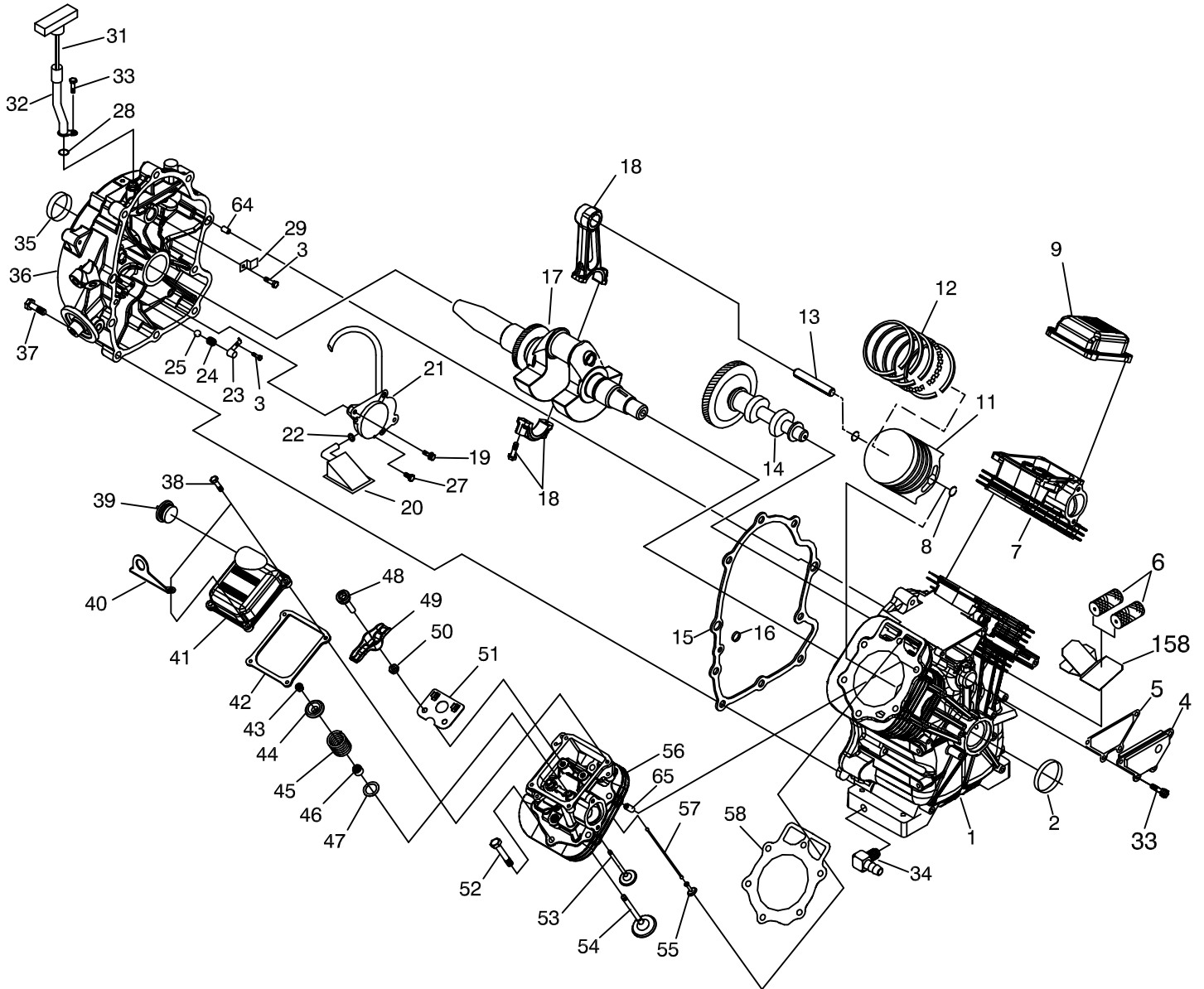


# GROUP

|    |  |
|----|--|
| 59 | 2, 5, 15, 16, 28, 35, 42, 58, 86                               |
| 60 | 4, 5, 6  |
| 61 | 7, 42, 43, 44, 45, 46, 47, 48, 49, 50, 51, 52, 53, 54, 57, 58  |
| 62 | 42, 43, 44, 45, 46, 47, 48, 49, 50, 51, 52, 53, 54, 56, 57, 58 |
| 63 | 23, 24, 25   |



## EXPLODED VIEW: ENGINE GH990/999 HSB 2009

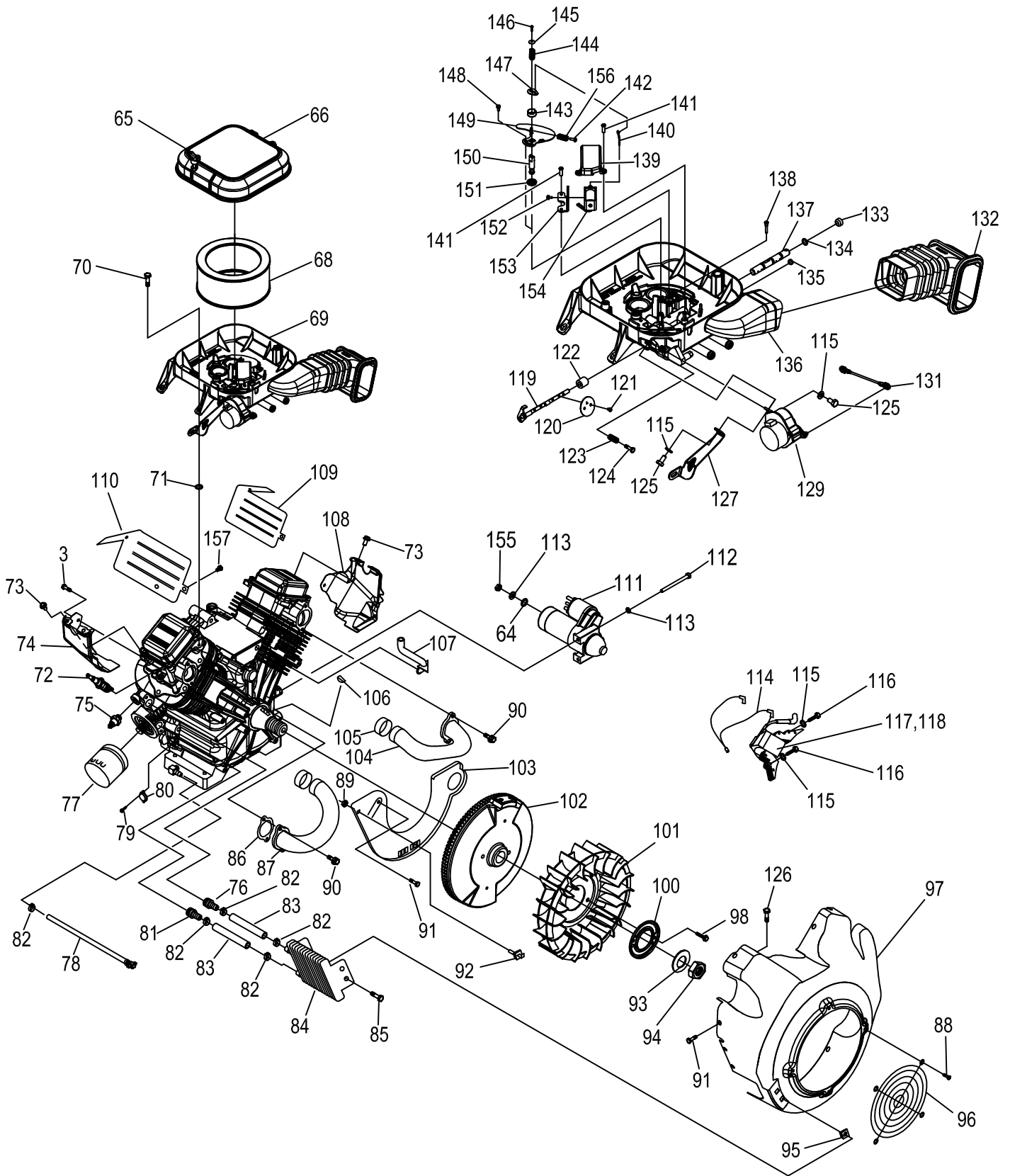
DRAWING #: 0H4654

APPLICABLE TO: 2010 HSB

GROUP

| ITEM | PART #  | QTY. | DESCRIPTION                           | ITEM | PART #  | QTY. | DESCRIPTION                  |
|------|---------|------|---------------------------------------|------|---------|------|------------------------------|
| 1    | 0G8548  | 1    | ASSY CRANKCASE WITH SLEEVE            | 51   | 0J9679  | 2    | PUSH ROD GUIDE PLATE         |
| 2    | 0K1534  | 1    | SEAL C'SHAFT FLYWHEEL SIDE RED        | 52   | 0C2976  | 12   | SCREW HHFC M8-1.25 X 65      |
| 3    | 0G0919  | 5    | SCREW HHFCS M6-1.0 X 12 G8.8          | 53   | 086516  | 2    | VALVE, EXHAUST               |
| 4    | 0G9100  | 1    | ASSEMBLY, BREATHER DUAL VALVE         | 54   | 0C2229  | 2    | VALVE, INTAKE                |
| 5    | 0C3005  | 1    | GASKET, BREATHER COVER                | 55   | 083897  | 4    | TAPPET, SOLID                |
| 6    | 0E3372C | 2    | SEPARATOR, OIL BREATHER               | 56   | 0H1760B | 1    | ASSY HEAD CYL #2             |
| 7    | 0H1760A | 1    | ASSY HEAD CYL #1                      | 57   | 0D9853D | 4    | PUSHROD, 147                 |
| 8    | 071983  | 4    | RETAINER, PISTON PIN 20               | 58   | 0C2978  | 2    | GASKET, HEAD                 |
| 9    | 0C2981C | 1    | ROCKER, COVER NO OIL FILL             | 59   | 0D4010  | 1    | KIT GASKET                   |
| 11   | 0K0988  | 1    | PISTON FLAT TOP 90 HSB 2013           | 60   | 0D4012  | 1    | KIT BREATHER ASSEMBLY        |
| 12   | 0G2565  | 2    | RING SET, PISTON DIA 90               | 61   | 0D8675A | 1    | KIT HEAD ASSEMBLY CYLINDER 1 |
| 13   | 0E1466  | 2    | PIN, PISTON (13,14,16,17KW)           | 62   | 0D8675B | 1    | KIT HEAD ASSEMBLY CYLINDER 2 |
|      | 0G7940  | 2    | PIN, PISTON (20KW)                    | 63   | 0D4015  | 1    | KIT OIL RELIEF               |
| 14   | 0D4041  | 1    | ASSY, CAMSHAFT & GEAR (13,14,16,17KW) | 64   | 078699C | 2    | SLEEVE DOWEL PIN 14 DIA.     |
|      | 0G7974  | 1    | ASSY, CAMSHAFT & GEAR (20KW)          | 65   | 078699B | 4    | SLEEVE DOWEL PIN 12 DIA.     |
| 15   | 0C2977  | 1    | GASKET, CRANK CASE                    | 158  | 0G8558  | 1    | DIVERTER, BREATHER GTH       |
| 16   | 0C5943  | 1    | SEAL, OIL PASSAGE                     |      |         |      |                              |
| 17   | 0E4357E | 1    | ASSY, CRANK & GEAR (13,14,16,17KW)    |      |         |      |                              |
|      | 0G5001E | 1    | ASSY,C'SHAFT 0.D. 41 (20KW)           |      |         |      |                              |
| 18   | 0J8969  | 2    | ASSY CONROD MACH GT990                |      |         |      |                              |
|      | 0J8968  | 2    | ASSY CONROD MACH GT999                |      |         |      |                              |
| 19   | 0G6431  | 2    | SCREW SHC SEMS M6-1.0 X 50 G8.8       |      |         |      |                              |
| 20   | 0E6098  | 1    | SCREEN, OIL PICKUP                    |      |         |      |                              |
| 21   | 0D4123B | 1    | ASSEMBLY, OIL PUMP W/O O-RING         |      |         |      |                              |
| 22   | 0E8152  | 1    | O-RING .49 ID X .07 THICK             |      |         |      |                              |
| 23   | 0C3011  | 2    | COVER, OIL RELIEF                     |      |         |      |                              |
| 24   | 0C3009  | 2    | SPRING, OIL RELIEF                    |      |         |      |                              |
| 25   | 0C3010  | 2    | BALL, 1/2D OIL RELIEF                 |      |         |      |                              |
| 27   | 0F5458  | 1    | SCREW, PLASTITE HI-LOW #10            |      |         |      |                              |
| 28   | 0C3027  | 1    | O-RING, 3/8" X 1/2"                   |      |         |      |                              |
| 29   | 0C5998  | 1    | CLAMP, OIL TUBE                       |      |         |      |                              |
| 31   | 0H6859L | 1    | ASSEMBLY, DIPSTICK WITH HANDLE ORG    |      |         |      |                              |
| 32   | 0J9272  | 1    | TUBE, DIPSTICK                        |      |         |      |                              |
| 33   | 0D6147  | 5    | SCREW HHFC M6-1.0 X 10mm              |      |         |      |                              |
| 34   | 043790A | 1    | BARBED ELBOW 90 3/8NPT X 3/8 VS       |      |         |      |                              |
| 35   | 0K2035  | 1    | SEAL CRANKSHAFT PTO SIDE RED          |      |         |      |                              |
| 36   | 0F8054  | 1    | GEARCOVER / ADAPTOR GTH-990           |      |         |      |                              |
| 37   | 0C3006  | 10   | SCREW, HHFC M10-1.5 X 55              |      |         |      |                              |
| 38   | 080318  | 8    | SCREW HHFC M6-1.0 X 25                |      |         |      |                              |
| 39   | 093064A | 1    | ASSEMBLY, OIL FILL CAP ORG            |      |         |      |                              |
| 40   | 0K4867  | 2    | LIFT HOOK GT990/760                   |      |         |      |                              |
| 41   | 0D2723B | 1    | ROCKER, COVER WITH OIL FILL           |      |         |      |                              |
| 42   | 0C2979  | 2    | GASKET, VALVE COVER                   |      |         |      |                              |
| 43   | 086515  | 8    | KEEPER, VALVE SPRING                  |      |         |      |                              |
| 44   | 0D2274  | 4    | RETAINER, VALVE SPRING                |      |         |      |                              |
| 45   | 0D3867  | 4    | SPRING, VALVE                         |      |         |      |                              |
| 46   | 078672  | 2    | SEAL, VALVE STEM D7                   |      |         |      |                              |
| 47   | 0C5371  | 4    | WASHER, VALVE SPRING                  |      |         |      |                              |
| 48   | 072694  | 4    | STUD, ROCKER ARM PIVOT                |      |         |      |                              |
| 49   | 0D5313  | 4    | ROCKER ARM                            |      |         |      |                              |
| 50   | 0D3998  | 4    | NUT HEX M8-1.0 G8 YEL CHR             |      |         |      |                              |

# GROUP



## EXPLODED VIEW: ENGINE GH990/999 HSB 2010

DRAWING #: 0H4654

GROUP

APPLICABLE TO: 2010 HSB

| ITEM | PART #  | QTY. | DESCRIPTION                                | ITEM | PART # | QTY. | DESCRIPTION                              |
|------|---------|------|--|------|--------|------|--|
| 64   | 022145  | 1    | WASHER FLAT M8 - 5/16                      | 127  | 0E9572 | 1    | BRACKET, STEPPER MOTOR                   |
| 65   | 0H5561A | 2    | KNOB, AIR CLEANER ORG (13,14,16,17Kw)      | 129  | 0G6453 | 1    | ASSY,CONTROLLER GTH990 HSB               |
|      | 0H5561D | 2    | KNOB,AIR CLEANER ORG (20Kw)                | 131  | 0E9570 | 1    | ASSY, THROTTLE ROD                       |
| 66   | 0C3024  | 1    | COVER, AIRBOX NG/LP (13,14,16,17Kw)        | 132  | 0E9577 | 1    | BELLOWS, INTAKE                          |
|      | 0G5895  | 1    | COVER, AIRBOX NG/LP (20Kw)                 | 133  | 0E5846 | 1    | EXPANSION PLUG                           |
| 68   | 0C8127  | 1    | ELEMENT, AIR CLEANER (13,14,16,17Kw)       | 134  | 0E9419 | 3    | #10 O-RING                               |
|      | 0G5894  | 1    | ELEMENT, AIR CLEANER (20Kw)                | 135  | 0C4760 | 1    | PLUG, MANIFOLD                           |
| 69   | 0F9255  | 1    | ASSY, MIXER / AIRBOX 990 (13, 16Kw)        | 136  | 0F9253 | 1    | ASSY, AIR BOX BASE                       |
|      | 0G8297  | 1    | ASSY, MIXER / AIRBOX 990 (14, 17 Kw)       | 137  | 0G5970 | 1    | PIN, FUEL SELECTOR (13, 16kW) NO STRIPES |
|      | 0G8448  | 1    | ASSY, MIXER / AIRBOX 999 (20Kw)            |      | 0G8824 | 1    | PIN,FUEL SELECTOR (14,17kw) 1 STRIPES    |
| 70   | 0E9582  | 4    | SCREW SHLDR(8MM) M6-1.0 X 21               |      | 0G9133 | 1    | PIN, FUEL SELECTOR (20kw) 3 STRIPES      |
| 71   | 0D4417  | 4    | WASHER,RUBBER 1/4" X 1/8" THICK            | 138  | 0E9554 | 1    | PIN, FUEL SEL STOP                       |
| 72   | 0E7585A | 2    | SPARKPLUG, RCY14 .040" GAP (13,14,16,17Kw) | 139  | 0E9348 | 1    | SOLENOID COVER                           |
|      | 0G0767A | 2    | SPARKPLUG, RC12 .040" GAP (20Kw)           | 140  | 0E9599 | 1    | LINKAGE, CHOKE                           |
| 73   | 0E6043  | 2    | SCREW TAPTITE M5 - 0.8 X 8                 | 141  | 0E9595 | 4    | SCREW PPH HI-LO #6 X 1/2                 |
| 74   | 0G7606  | 1    | WRAPPER, LOWER CYLINDER 2 ZINC             | 142  | 090987 | 1    | SCREW PHTT M3 - 0.5 X 8                  |
| 75   | 0G6820  | 1    | SWITCH, OIL PRESS                          | 143  | 0E9403 | 1    | RETAINER, CHOKE RETURN SPRING            |
| 76   | 0H6244  | 1    | EXTENDED BARBED STR 1/4 NPT X 3/8          | 144  | 0E9571 | 1    | SPRING, CHOKE RETURN                     |
| 77   | 070185E | 1    | OIL FILTER, 90mm                           | 145  | 0E9380 | 1    | WASHER, BELLEVILLE SPRING                |
| 78   | 0H8131  | 1    | ASSY, OIL DRAIN HOSE ORG                   | 146  | 0A6345 | 1    | SCREW PPHM M2 - 0.4 X 8                  |
| 79   | 0A7095  | 2    | SCREW #4-40 X 5/16 SEMS                    | 147  | 0E9598 | 1    | CHOKE ARM                                |
| 80   | 094090  | 1    | SWITCH, THERMAL 293F                       | 148  | 0E9593 | 1    | SCREW SHOULDER M3 - 0.5 X 6              |
| 81   | 035461  | 1    | BARBED STRAIGHT 1/4NPT X 3/8               | 149  | 0E9564 | 1    | VALVE, CHOKE                             |
| 82   | 0G3662B | 5    | CLAMP, HOSE OETIKER STEPLESS 18.5mm        | 150  | 0J0097 | 1    | SHAFT, CHOKE                             |
| 83   | 0F0452C | 2    | HOSE 3/8" 300PSI 6" LG OIL                 | 151  | 0E9357 | 1    | SEAL, GOVERNOR ARM                       |
| 84   | 0E9506  | 1    | COOLER, OIL                                | 152  | 0A7094 | 2    | SCREW PHM #4 - 40 X 1/4                  |
| 85   | 0C9764  | 4    | SCREW PLASTITE 1/4-15 X 3/4                | 153  | 0E9574 | 1    | BRACKET, SOLENOID                        |
| 86   | 0C3043  | 2    | GASKET, MANIFOLD / PORT                    | 154  | 0F9273 | 1    | SOLENOID, 6VDC                           |
| 87   | 0C7694A | 1    | MANIFOLD CYLINDER 2                        | 155  | 0F5467 | 1    | NUT HEX M8 - 1.25 YELLOW ZINC            |
| 88   | 045756  | 4    | SCREW, HHTT M6-1 x 10 LONG                 | 156  | 0E9557 | 1    | SPRING, CHOKE VALVE ADJUST               |
| 89   | 082025  | 1    | NUT, HEX LOCK M5-0.8 ZINC                  | 157  | 0E1644 | 1    | SCREW, BHSC M6-1.0 x 12                  |
| 90   | 0G3730  | 4    | SCREW SHC M8 - 1.25 X 20 SEMS              |      |        |      |  |
| 91   | 090388  | 13   | SCREW TAPTITE M6-1X12 CLEAR ZINC           |      |        |      |  |
| 92   | 0E4997  | 1    | ASSY,GROUND WIRE CONNECTOR                 |      |        |      |  |
| 93   | 0C3033  | 1    | WASHER, 25MM I.D.                          |      |        |      |  |
| 94   | 0C3034  | 1    | NUT, HEX M24                               |      |        |      |  |
| 95   | 0C9763  | 4    | NUT, GROMMET 1/4 PLUG                      |      |        |      |  |
| 96   | 0D1131  | 1    | GUARD, FAN                                 |      |        |      |  |
| 97   | 0F1169K | 1    | HOUSING, BLOWER NG COOLER                  |      |        |      |  |
| 98   | 0H4957  | 2    | SCREW HHFCS M8 - 1.25 X 10 G8.8            |      |        |      |  |
| 99   |         |      |  |      |        |      |  |
| 100  | 0C3032  | 1    | PLATE, FAN                                 |      |        |      |  |
| 101  | 0C3031  | 1    | FAN, NYLON                                 |      |        |      |  |
| 102  | 0C3725B | 1    | ASSY, FLYWHEEL (13,14,16,17Kw)             |      |        |      |  |
|      | 0C3725D | 1    | ASSY, FLYWHEEL (20Kw)                      |      |        |      |  |
| 103  | 0G4928C | 1    | PLATE, BACKING WITH CUT OUT                |      |        |      |  |
| 104  | 0C7693A | 1    | MANIFOLD CYLINDER 1                        |      |        |      |  |
| 105  | 0C3041A | 2    | SLEEVE, RUBBER                             |      |        |      |  |
| 106  | 082774  | 1    | KEY, WOODRUFF 4 X 19D                      |      |        |      |  |
| 107  | 0C3036A | 1    | HOSE BREATHER                              |      |        |      |  |
| 108  | 0G7604  | 1    | WRAPPER, LOWER CYLINDER 1 ZINC             |      |        |      |  |
| 109  | 0G7603  | 1    | WRAPPER, UPPER CYLINDER 1 ZINC             |      |        |      |  |
| 110  | 0G7605  | 1    | WRAPPER, UPPER CYLINDER 2 ZINC             |      |        |      |  |
| 111  | 0E9323  | 1    | STARTER MOTOR HEAR REDUCED 1KW             |      |        |      |  |
| 112  | 061906  | 2    | SCREW HHC M8 - 1.25 X 85 G8.8              |      |        |      |  |
| 113  | 022129  | 3    | WASHER LOCK M8 - 5/16                      |      |        |      |  |
| 114  | 0F1177  | 1    | ASSEMBLY, GROUND WIRE                      |      |        |      |  |
| 115  | 022097  | 2    | WASHER LOCK M6 - 1/4                       |      |        |      |  |
| 116  | 0G3110  | 4    | SCREW TAPTITE M6 - 1.0 X 20 ZINC           |      |        |      |  |
| 117  | 0G3224A | 1    | ASSY, IGN COIL W/DIODE, CYLINDER 1         |      |        |      |  |
| 118  | 0G3224B | 1    | ASSY, IGN COIL W/DIODE, CYLINDER 2         |      |        |      |  |
| 119  | 0E9568  | 1    | ASSY, THROTTLE SHAFT                       |      |        |      |  |
| 120  | 0E9565  | 2    | THROTTLE VALVE                             |      |        |      |  |
| 121  | 074027  | 4    | SCREW PPHM M3 - 0.5 X 5                    |      |        |      |  |
| 122  | 0C3044  | 1    | COVER, DUST, MIX/AIRBOX                    |      |        |      |  |
| 123  | 0C4756  | 1    | SPRING, IDLE ADJUST                        |      |        |      |  |
| 124  | 075477  | 1    | SCREW PPHM M5 - 0.58 X 20                  |      |        |      |  |
| 125  | 043116  | 2    | SCREW HHC M6 - 1.0 X 12                    |      |        |      |  |
| 126  | 0E1644  | 1    | SCREW BHSC M6-1.0 X 12 SS                  |      |        |      |  |