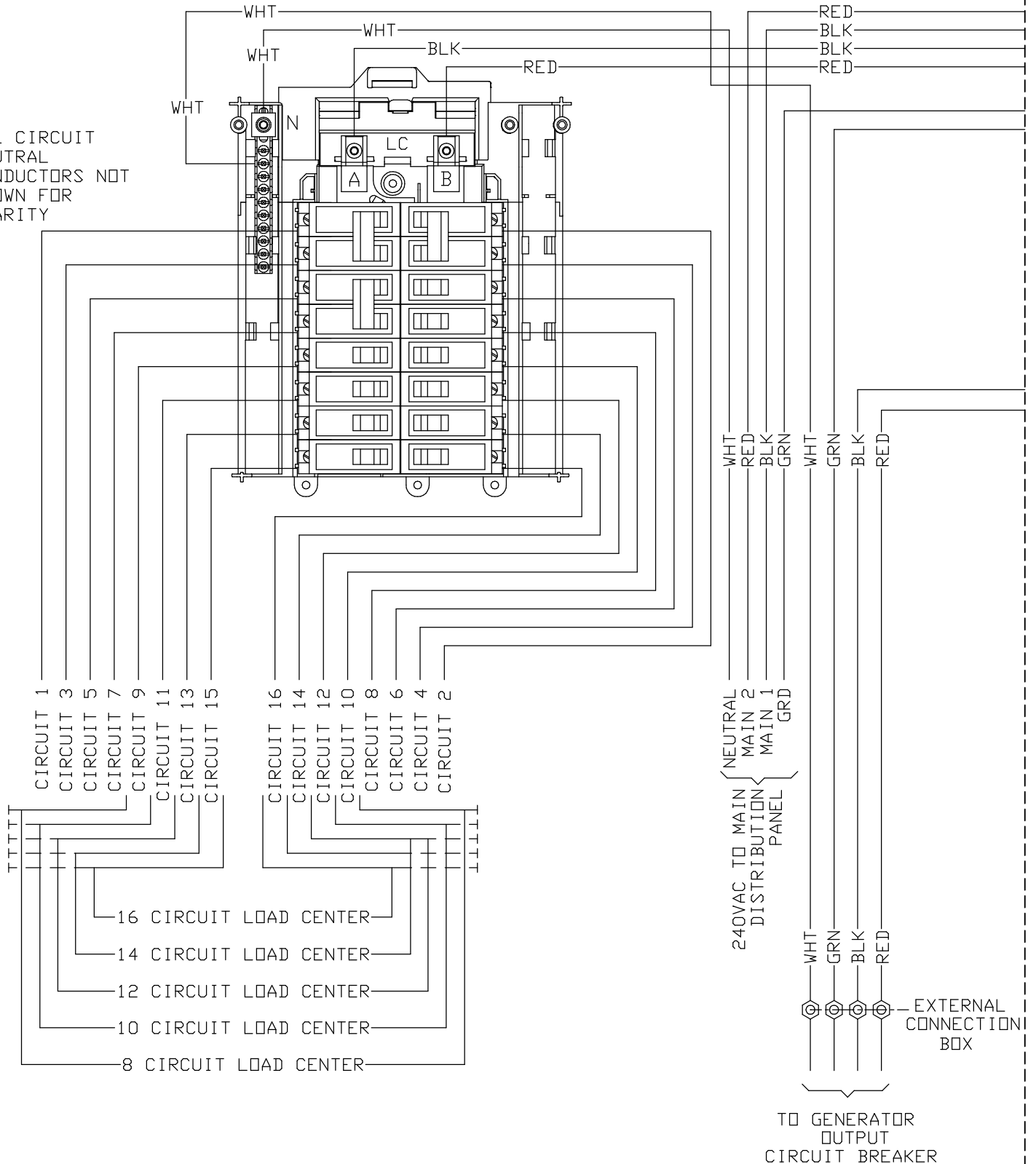
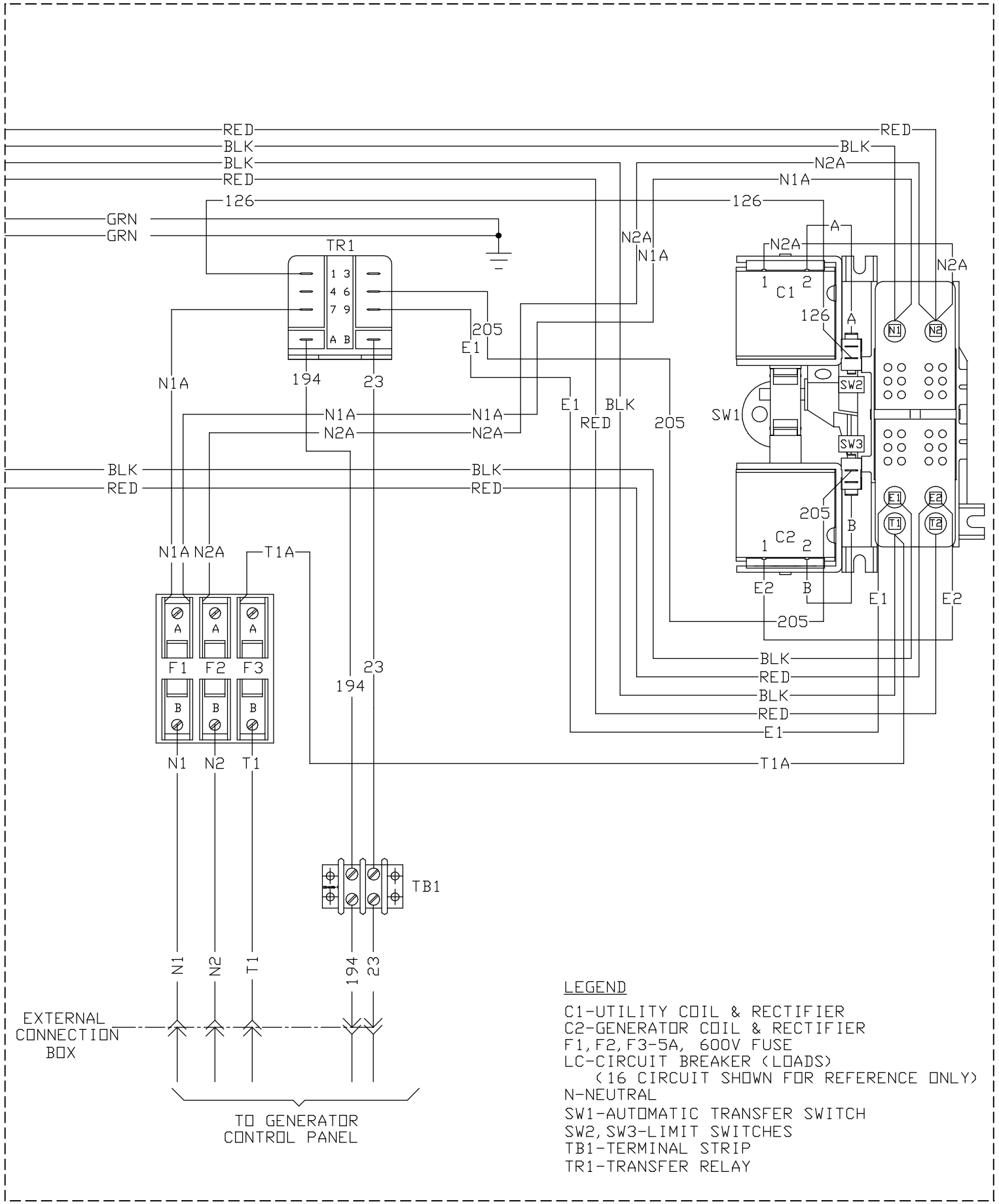


ALL CIRCUIT  
NEUTRAL  
CONDUCTORS NOT  
SHOWN FOR  
CLARITY





**LEGEND**  
 C1-UTILITY COIL & RECTIFIER  
 C2-GENERATOR COIL & RECTIFIER  
 F1, F2, F3-5A, 600V FUSE  
 LC-CIRCUIT BREAKER (LOADS)  
 (16 CIRCUIT SHOWN FOR REFERENCE ONLY)  
 N-NEUTRAL  
 SW1-AUTOMATIC TRANSFER SWITCH  
 SW2, SW3-LIMIT SWITCHES  
 TB1-TERMINAL STRIP  
 TR1-TRANSFER RELAY