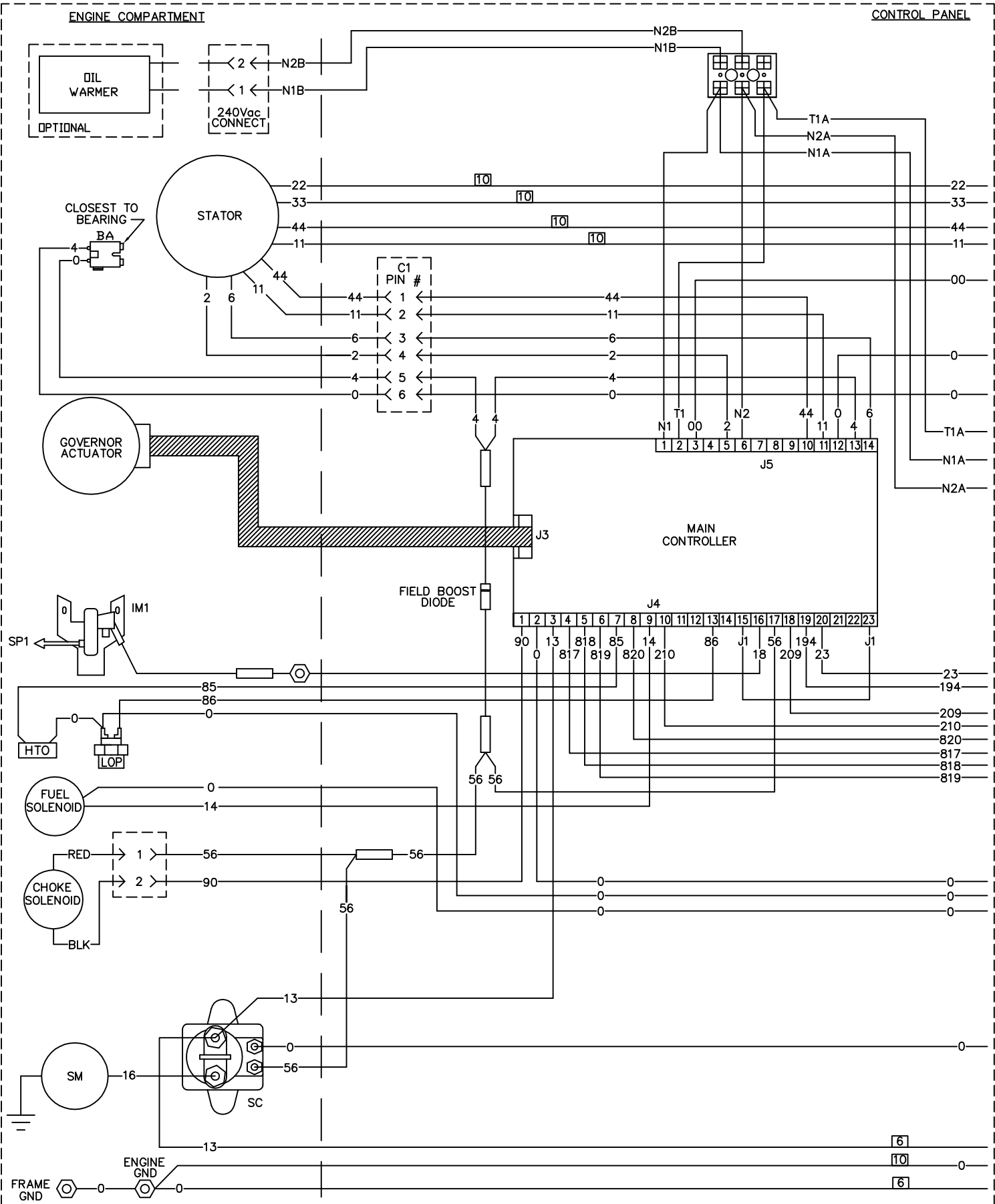


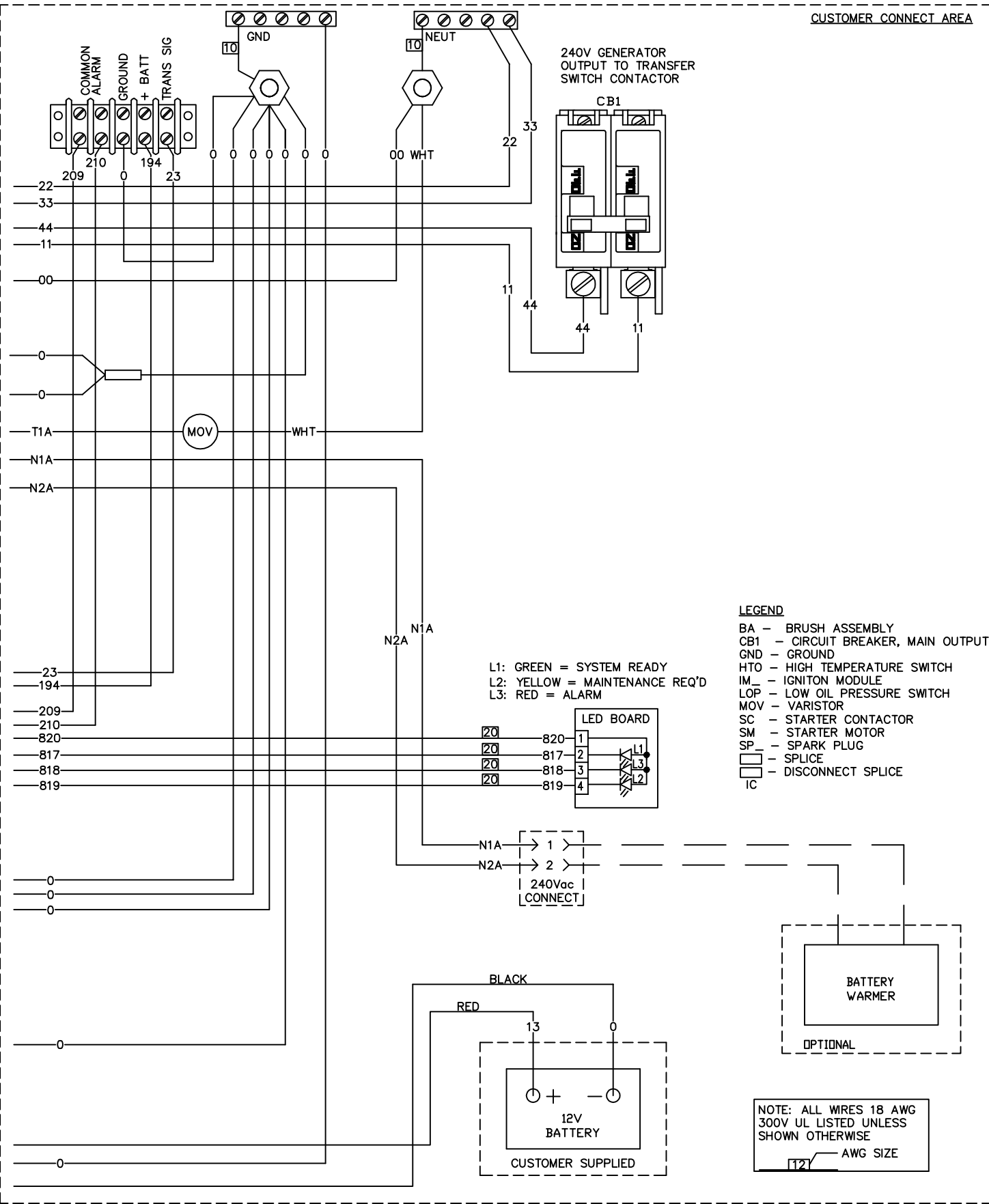
GROUP G



REVISION: -A-
DATE: 04/14/10

WIRING - DIAGRAM
8kW 2010 AIR COOLED
DRAWING #: 0H6912

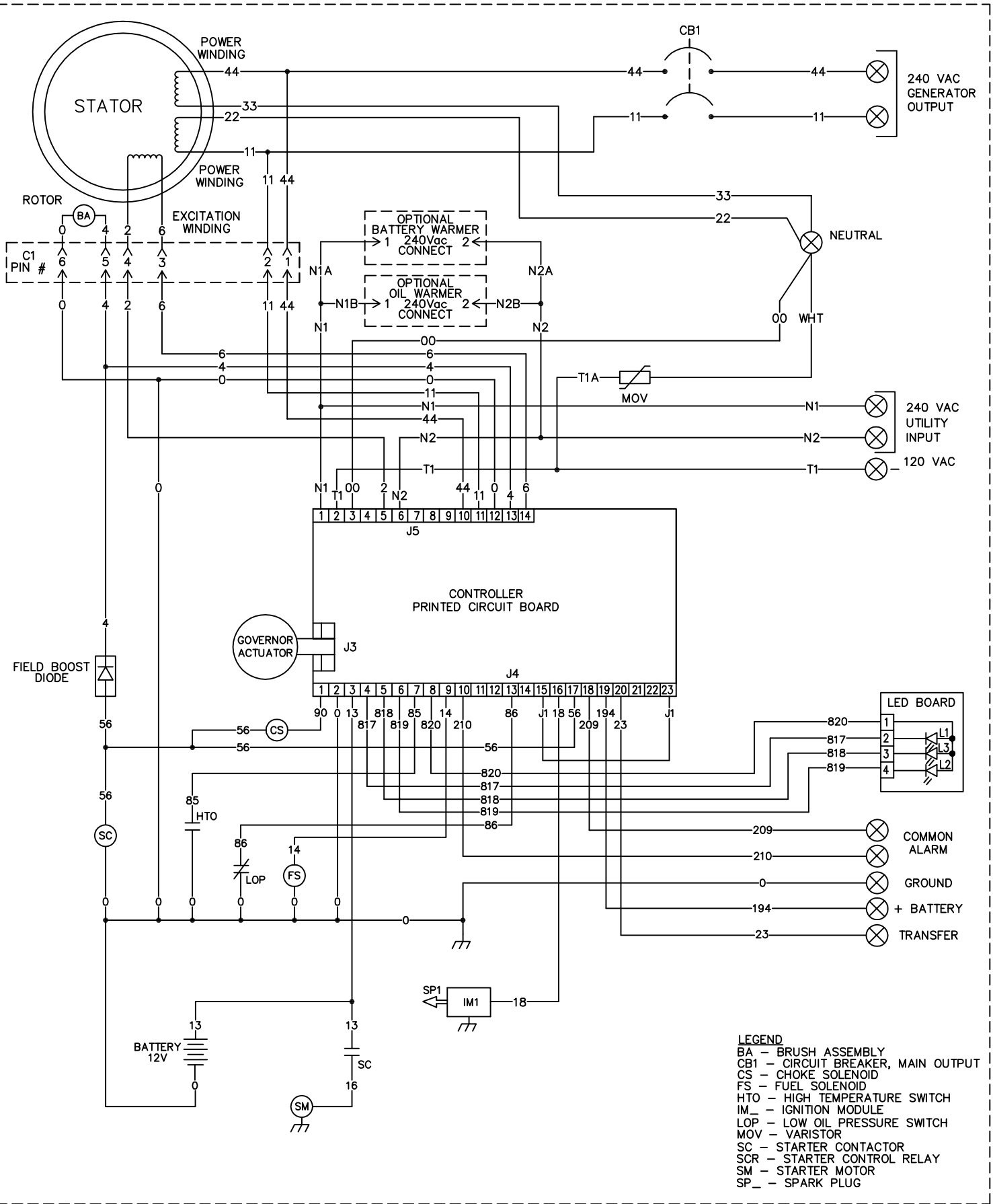
GROUP G



REVISION: -A-
DATE: 04/14/10

WIRING - DIAGRAM
8kW 2010 AIR COOLED
DRAWING #: 0H6912

GROUP G



LEGEND

- BA - BRUSH ASSEMBLY
- CB1 - CIRCUIT BREAKER, MAIN OUTPUT
- CS - CHOKE SOLENOID
- FS - FUEL SOLENOID
- HTO - HIGH TEMPERATURE SWITCH
- IM_ - IGNITION MODULE
- LOP - LOW OIL PRESSURE SWITCH
- MOV - VARISTOR
- SC - STARTER CONTACTOR
- SCR - STARTER CONTROL RELAY
- SM - STARTER MOTOR
- SP_ - SPARK PLUG

SCHEMATIC - DIAGRAM

8kW 2010 AIR COOLED

DRAWING #: 0H6198

REVISION: -A-

DATE: 04/14/10