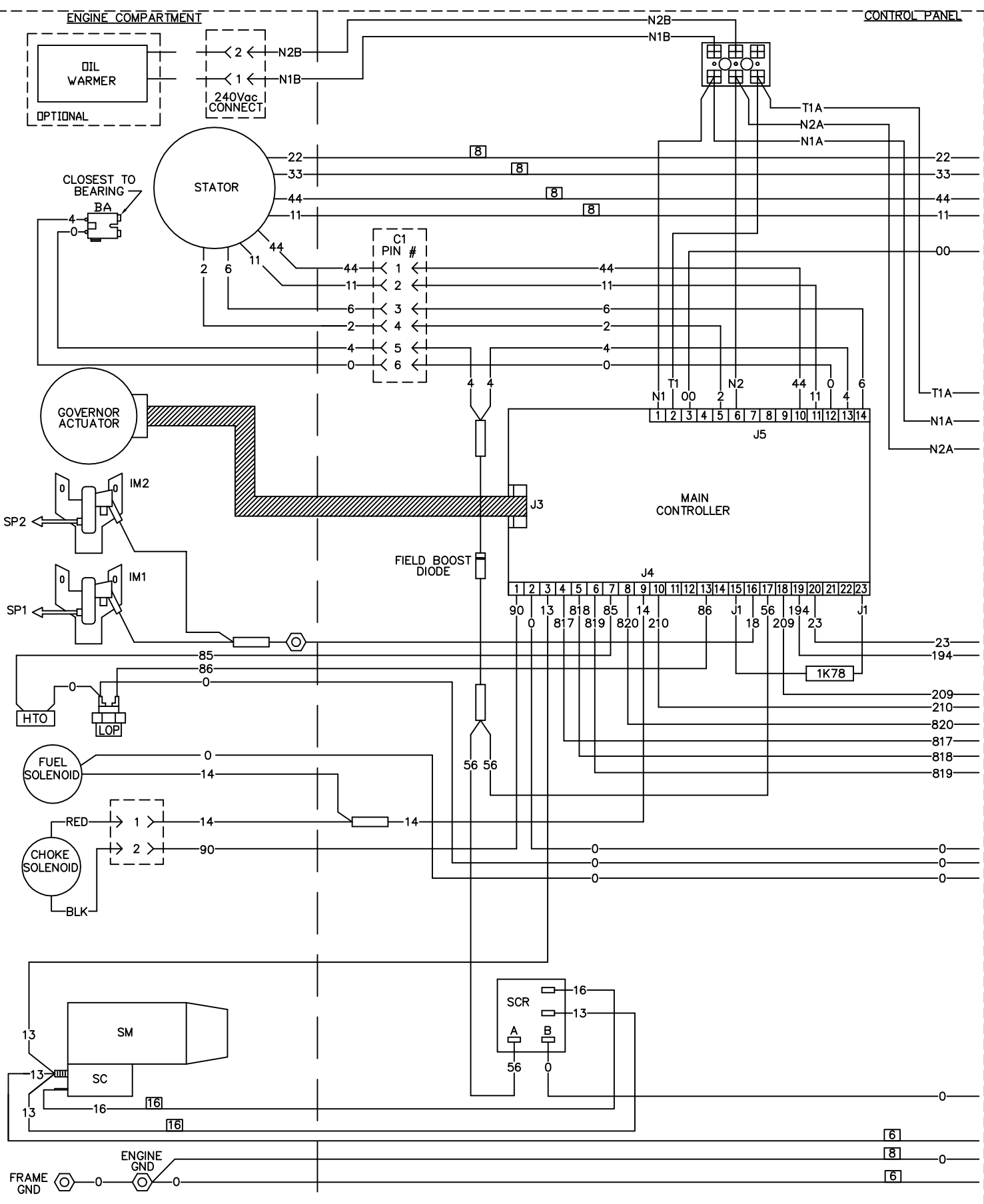


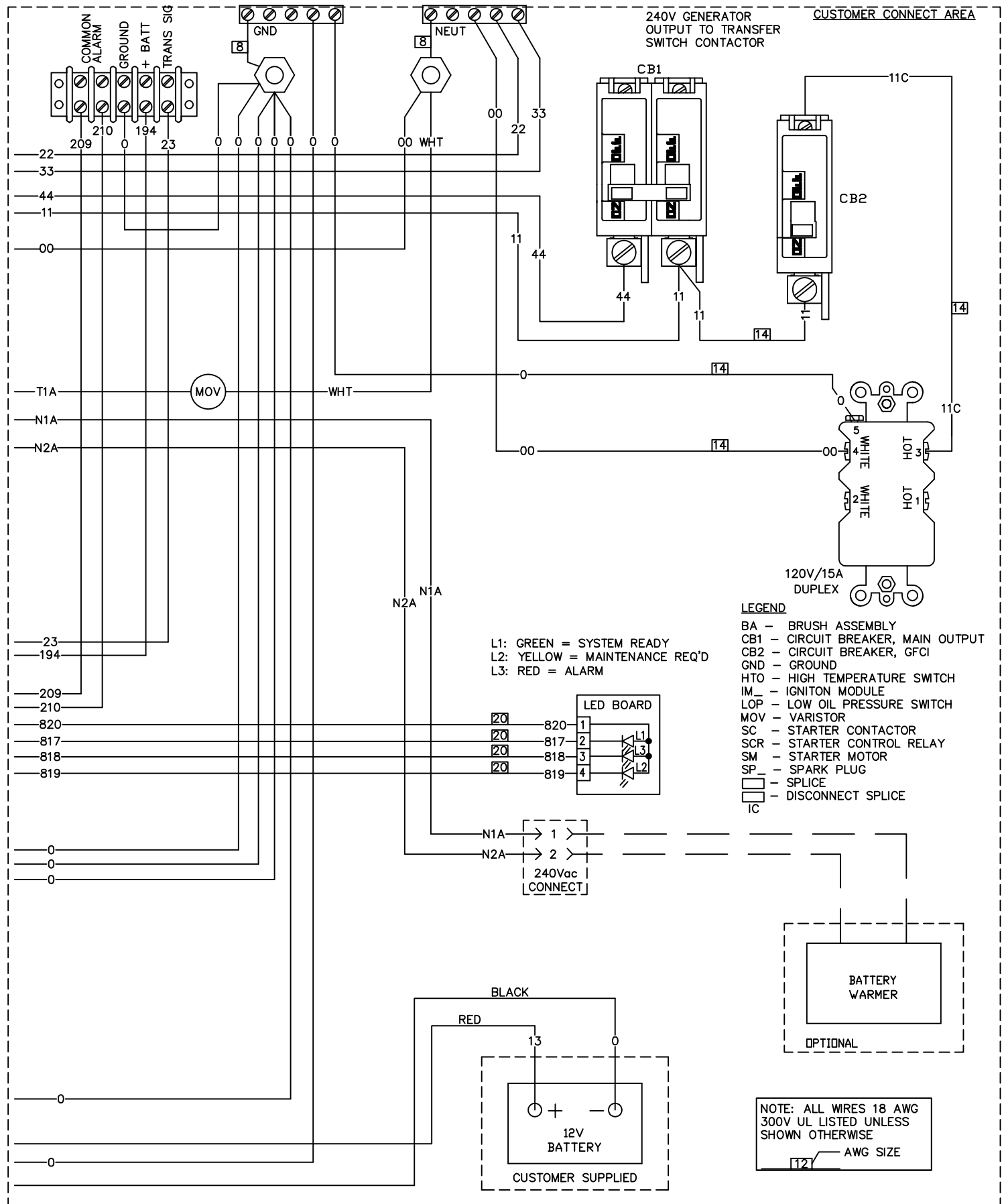
GROUP G



REVISION: -A-
DATE: 04/14/10

WIRING - DIAGRAM
20kW 2010 AIR COOLED
DRAWING #: 0H7570

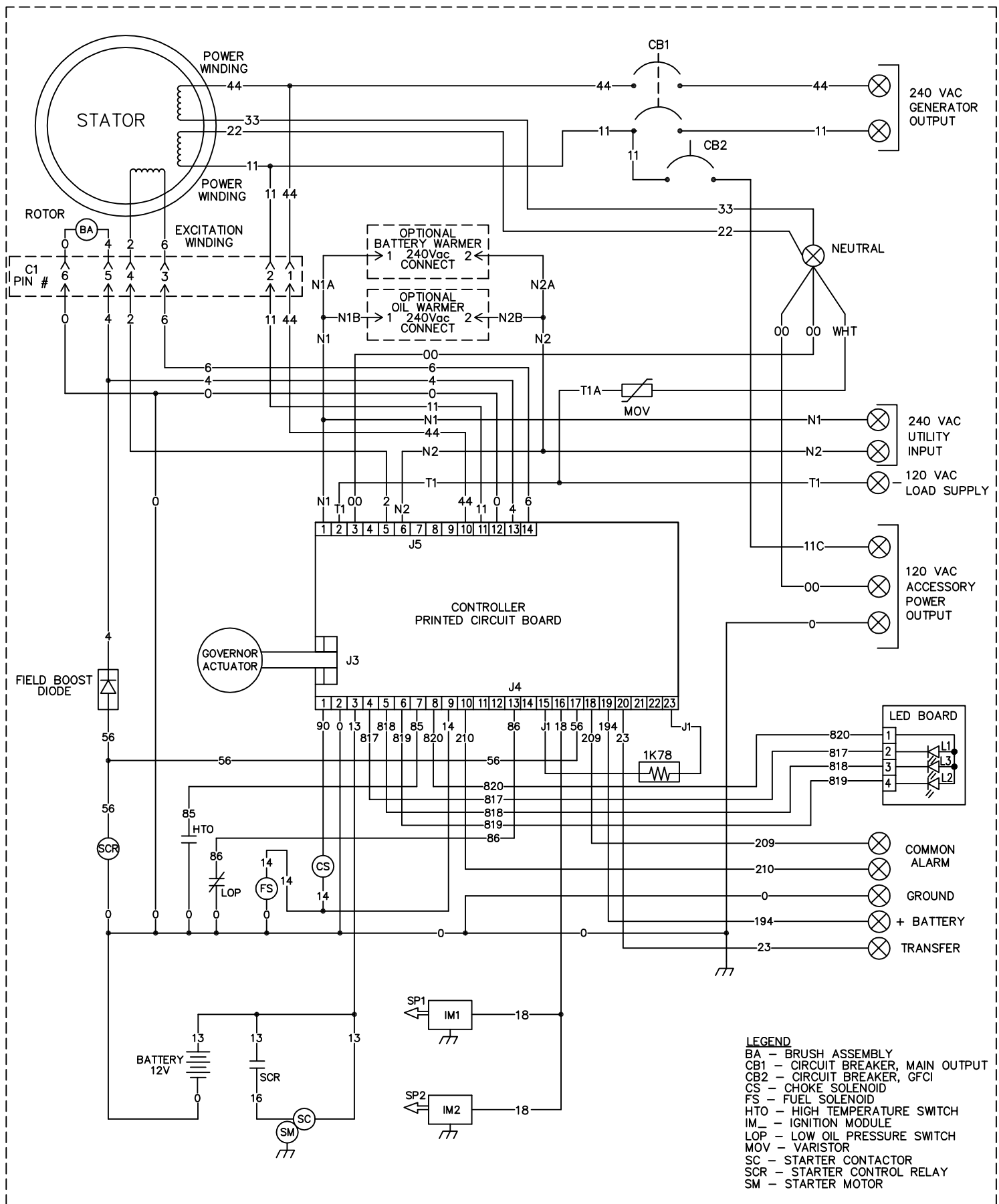
GROUP G



WIRING - DIAGRAM
 20kW 2010 AIR COOLED
 DRAWING #: 0H7570

REVISION: -A-
 DATE: 04/14/10

GROUP G



- LEGEND**
- BA - BRUSH ASSEMBLY
 - CB1 - CIRCUIT BREAKER, MAIN OUTPUT
 - CB2 - CIRCUIT BREAKER, GFCI
 - CS - CHOKE SOLENOID
 - FS - FUEL SOLENOID
 - HTO - HIGH TEMPERATURE SWITCH
 - IM - IGNITION MODULE
 - LOP - LOW OIL PRESSURE SWITCH
 - MOV - VARISTOR
 - SC - STARTER CONTACTOR
 - SCR - STARTER CONTROL RELAY
 - SM - STARTER MOTOR

SCHMATIC - DIAGRAM
 20kW 2010 AIR COOLED
 DRAWING #: 0H7570

REVISION: -A-
 DATE: 04/14/10