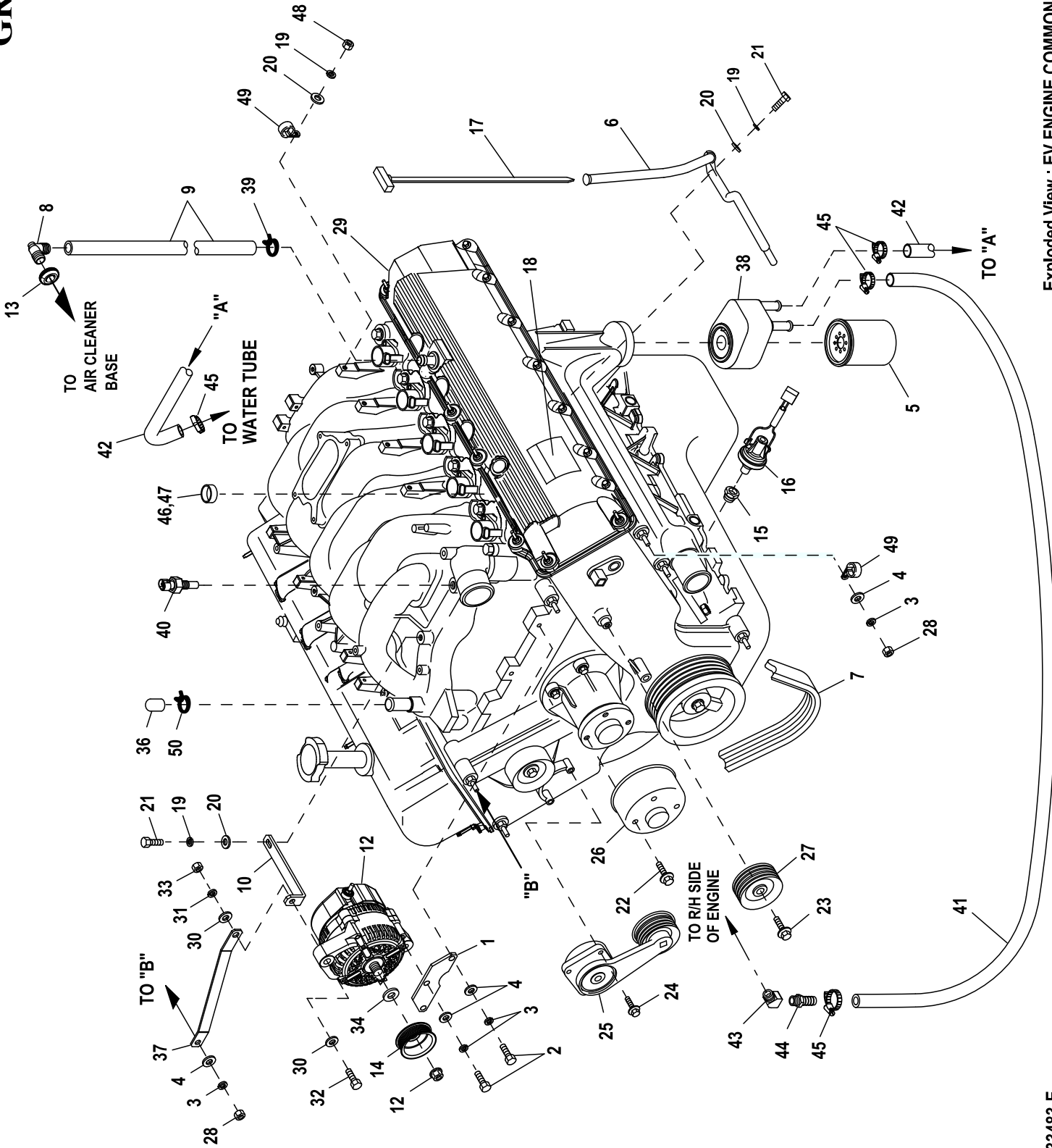


GROUP D



EXPLODED VIEW: EV ENGINE COM PRT L/H SIDE 6.8L

DRAWING #: 0J0212

GROUP D

APPLICABLE TO:

ITEM	PART#	QTY.	DESCRIPTION
1	0F3017	1	BRACKET,D.C. ALTERNATOR LOWER
2	G039253	3	SCREW HHC M8-1.25 X 20 C8.8
(2)3	G022129	4/5	WASHER LOCK M8-5/16
(2)4	G022145	4/5	WASHER FLAT 5/16-M8 ZINC
(1)5	0D5419	REF	OIL FILTER
6	0D7055	1	DIPSTICK TUBE, FORD 6.8L
7	0D3488G	1	BELT SERPENTINE (65.0" LG) (1800 RPM)
	0D3488J	1	BELT SERPENTINE (65.3" LG) (2300 RPM)
	0D3488	1	BELT SERPENTINE (67.16" LG) (3000 RPM)
	0D3488K	1	SERPENTINE BELT (68.3" LG) (3600 RPM)
8	057795B	1	BARBED EL 90 5/8 PLASTIC
9	G065386	1	HOSE COOL 5/8 ID 100R6 (16.75"LG)
10	0F3287	1	BRACKET DC ALTERNATOR UPPER
11	0H9133	1	HARN ENG G6.8L G3 NEXUS (USE WITH PROBE P/N 0H1827) (NOT SHOWN)
12	0E9868A	1	ALTERNATOR DC W/OUT PULLEY
13	0G5954	1	GROMMET .625 X 1.25 X .433
14	0F3216	1	PULLEY 80 OD DC ALTERNATOR (1800 RPM)
	0F3216A	1	PULLEY 102 OD DC ALTERNATOR (2300 RPM)
	0F3216C	1	PULLEY 132 OD DC ALTERNATOR (3000 RPM)
	0F3216D	1	PULLEY 160 OD DC ALTERNATOR (3600 RPM)
15	G035579	1	BSHG RDCR HEX 1/4 TO 1/8
16	0H7435	1	HARN LOW OIL PRESS SWITCH ASSY
17	0D6658	1	DIPSTICK G6.8L G3
18	0H0777	1	DECAL LSI EPA CERTIFICATION
19	G022097	6	WASHER LOCK M6-1/4
20	G022473	6	WASHER FLAT 1/4-M6 ZINC
21	G042568	2	SCREW HHC M6-1.0 X 20 G8.8
22	0D8027	4	SCREW WP PULLEY M8-1.25 X 19
23	0D8025	1	BOLT HEX FL HD M8-1.25 X 28
24	0D8026	3	BOLT HEX FL HD M8-1.25 X 31
25	0D8030	1	TENSIONER ENG. AUTOMATIC BELT
26	0F2846	1	PULLEY WATER PUMP G3 (1800RPM UNITS)
	0D8029	1	PULLEY ENGINE WATER PUMP (2-POLE & GEAR BOX)
27	0D8028	1	PULLEY GROOVED ENGINE IDLER
(2)28	045771	1/2	NUT HEX M8-1.25 G8 CLEAR ZINC
29	0H0923	1	ENGINE G6.8L G3 V-10 (2009 +)
30	022131	2	WASHER FLAT 3/8-M10 ZINC
31	G046526	1	WASHER LOCK M10
32	G064416	1	SCREW HHC M10-1.5 X 45 C8.8 FT
33	G045772	1	NUT HEX M10-1.5 G8 YEL CHR
34	0F3217	1	SPACER DC ALTERNATOR PULLEY
36	0F6151	1	CAP RUBBER
37	0F4308	1	BRACKET DC ALT STABILIZER
(2)38	0F3158	1	OIL COOLER G3 (150KW 3600RPM)
39	0G0015	1	CLAMP HOSE 7/8 OD DOUBLE WIRE
40	0E0502	1	TEMPERATURE SENDER DELPHI
(2)41	0G0866	1	HOSE OIL COOLER PREFORMED 3/4 (150KW 3600RPM)
(2)42	0F4301	1	HOSE OIL COOLER (150KW 3600RPM)
(2)43	0E8286	1	ELBOW 45D STREET 1/2NPT BRASS (150KW 3600RPM)
(2)44	047527	1	BARBED STR 1/2NPT X 3/4 (150KW 3600RPM)
(2)45	G035473	4	CLAMP HOSE #12 .50-1.25
46	0E0992A	10	PLUG EXPANSION 14 OD
47	G078637	A/R	ADHESIVE LOCTITE 620
48	G047411	4	SCREW HHC M6-1.0 X 16 C8.8
(2)49	055934D	4/7	CLAMP STL/VNL 1.06 X .406 Z
50	G035473	1	CLAMP HOSE #12 .50-1.25

(1) I/N 5 PART OF I/N 29.

(2) PART OR QUANTITY REQUIRED FOR 150KW UNITS ONLY.