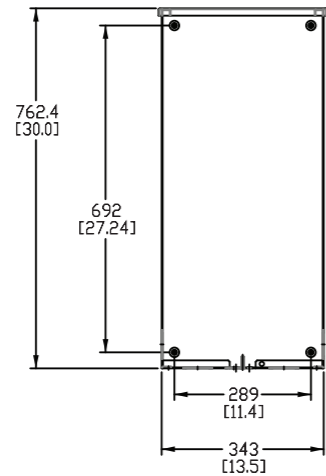
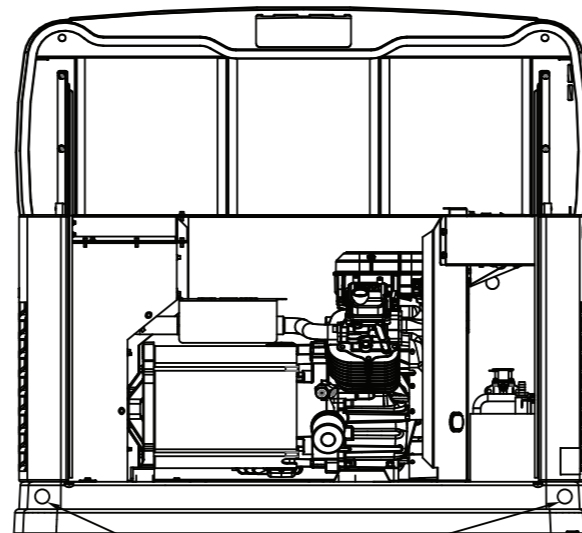


TRANSFER SWITCH
8KW - 17KW
(IF SUPPLIED)

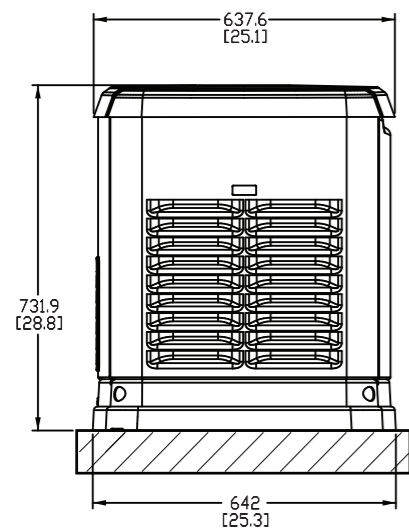


SERVICE ENTRANCE
TRANSFER SWITCH
(IF SUPPLIED)

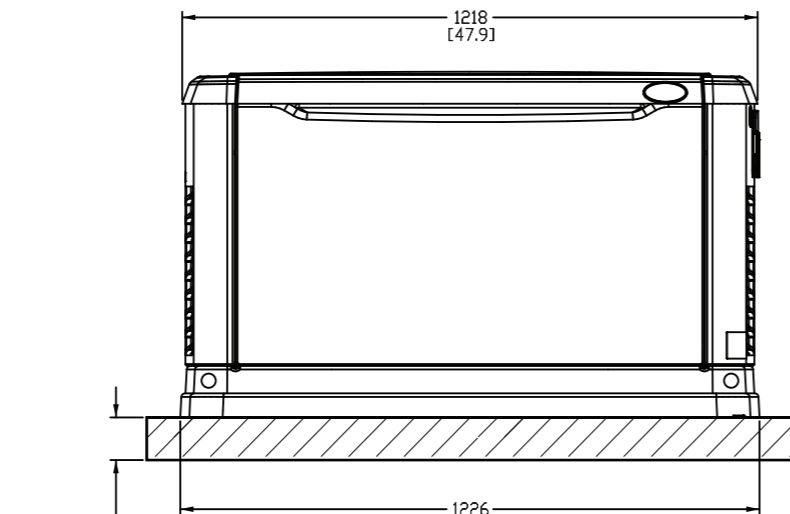


Ø30.2 [Ø1.2]
LIFTING HOLES 4
CORNERS

"DO NOT LIFT BY
ROOF"

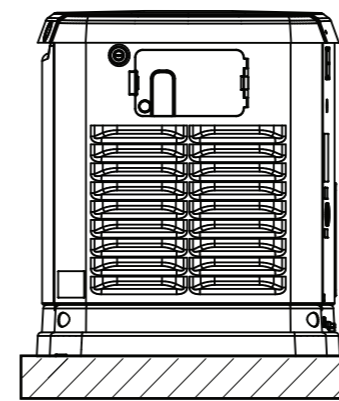


LEFT SIDE
VIEW

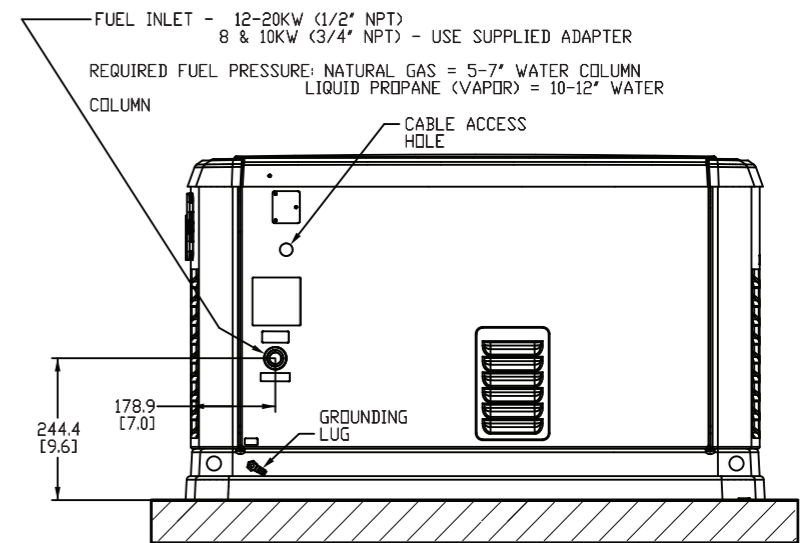


FRONT
VIEW

76.2 [3.0]
PEA
GRAVEL
MINIMUM

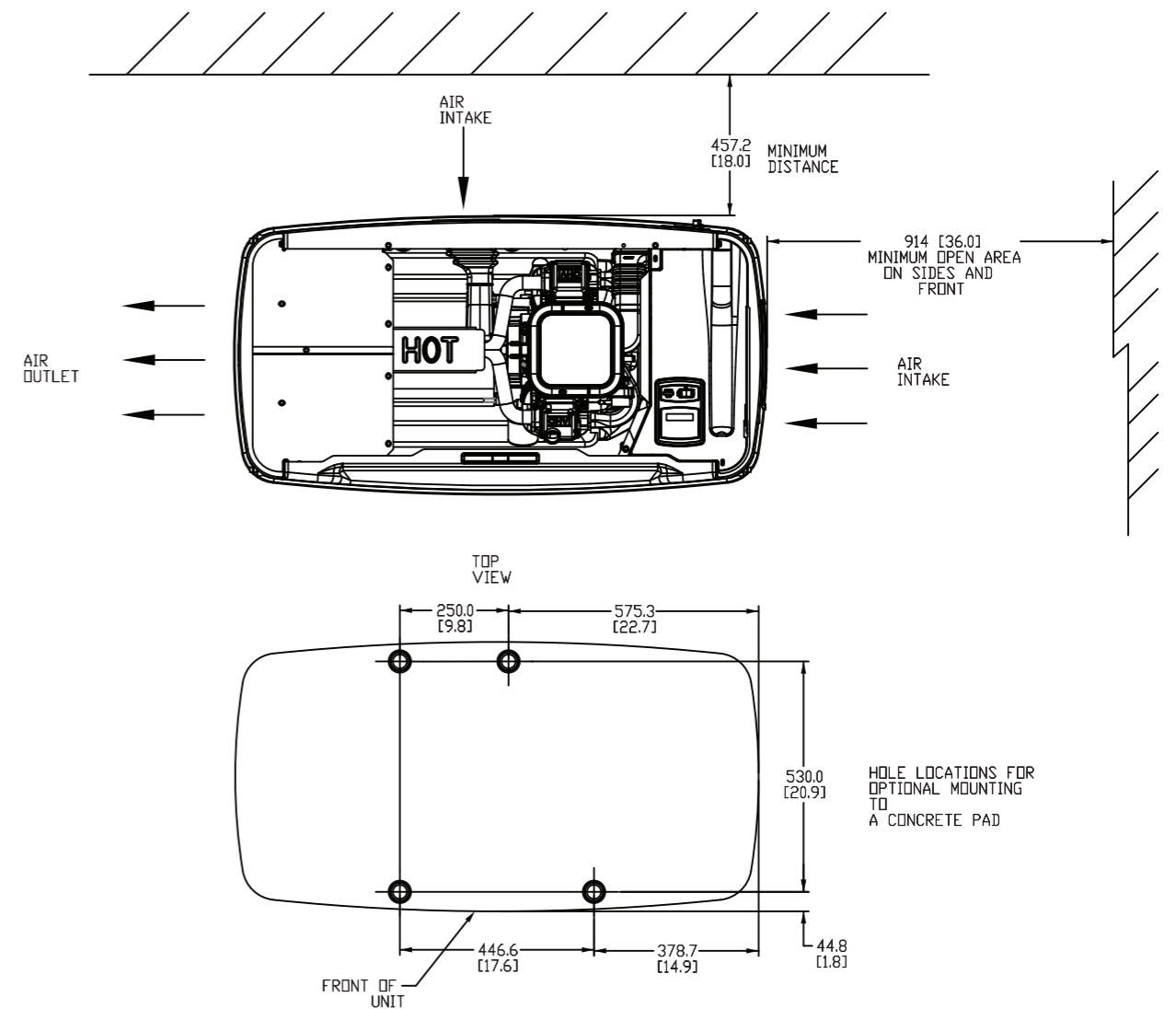


RIGHT SIDE
VIEW



REAR
VIEW

**ALL DIMENSIONS IN:
MILLIMETERS
[INCHES]



TOP
VIEW

AIR INTAKE
457.2 [18.0] MINIMUM DISTANCE
914 [36.0] MINIMUM OPEN AREA ON SIDES AND FRONT
AIR INTAKE
AIR OUTLET
HOLE LOCATIONS FOR OPTIONAL MOUNTING TO A CONCRETE PAD
530.0 [20.9]
44.8 [1.8]
446.6 [17.6]
378.7 [14.9]
250.0 [9.8]
575.3 [22.7]
FRONT OF UNIT

FUEL INLET - 12-20KW (1/2" NPT)
8 & 10KW (3/4" NPT) - USE SUPPLIED ADAPTER
REQUIRED FUEL PRESSURE: NATURAL GAS = 5-7" WATER COLUMN
LIQUID PROPANE (VAPOR) = 10-12" WATER COLUMN

CABLE ACCESS HOLE

178.9 [7.0]
244.4 [9.6]
GROUNDING LUG

SHEET 1 OF 1

TITLE
INSTALL HSB GENERATOR - 2008

GENERAC®

GROUP EV

FIRST USE
2013 HSB

DWN
JRG

DWG. NO.

0G8280

REV

E

ALL APPROVALS ELECTRONICALLY STORED INSIDE WINDCHILL

DATE
1/25/2008

Date	Eco No.
1/25/2008	-