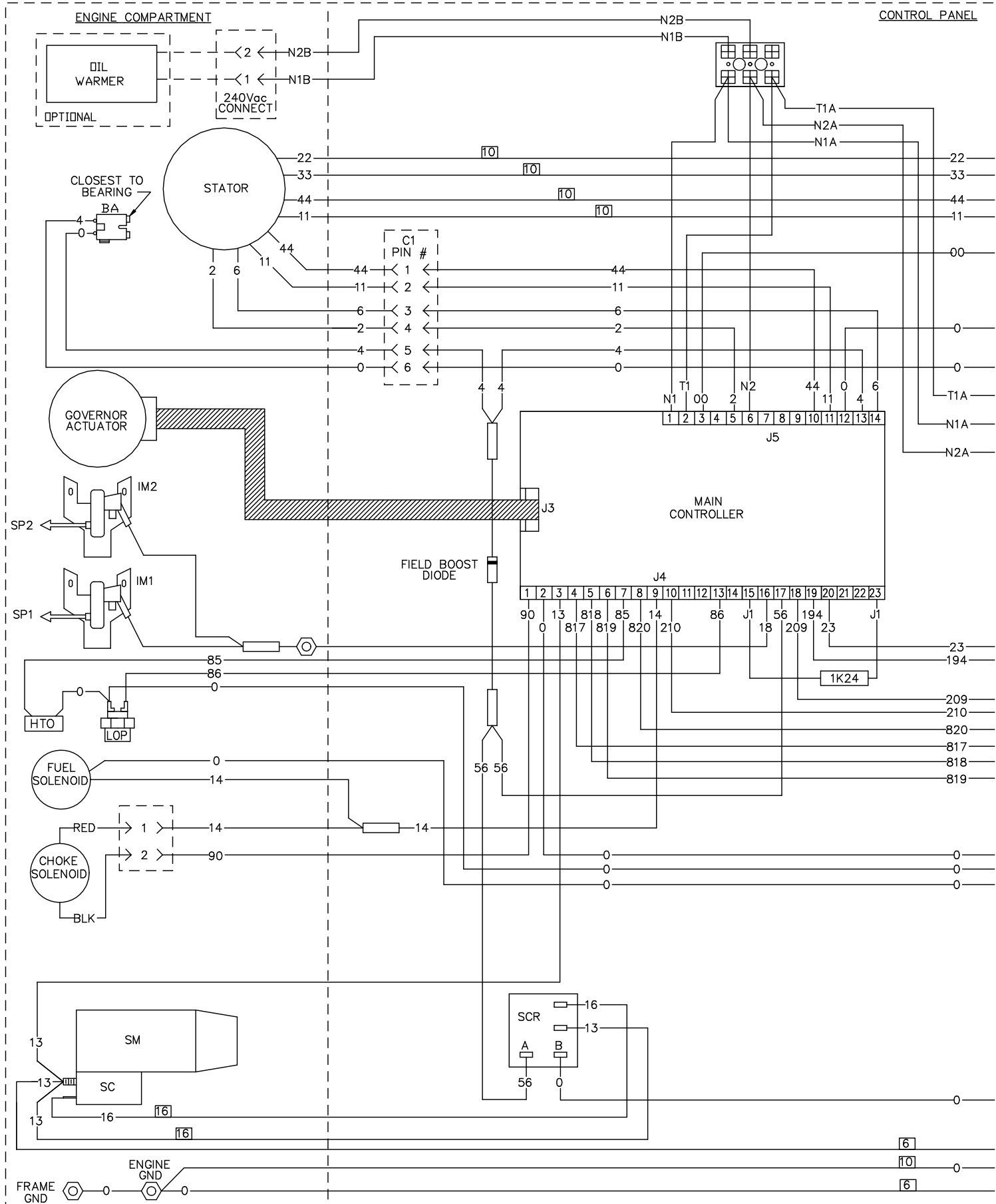


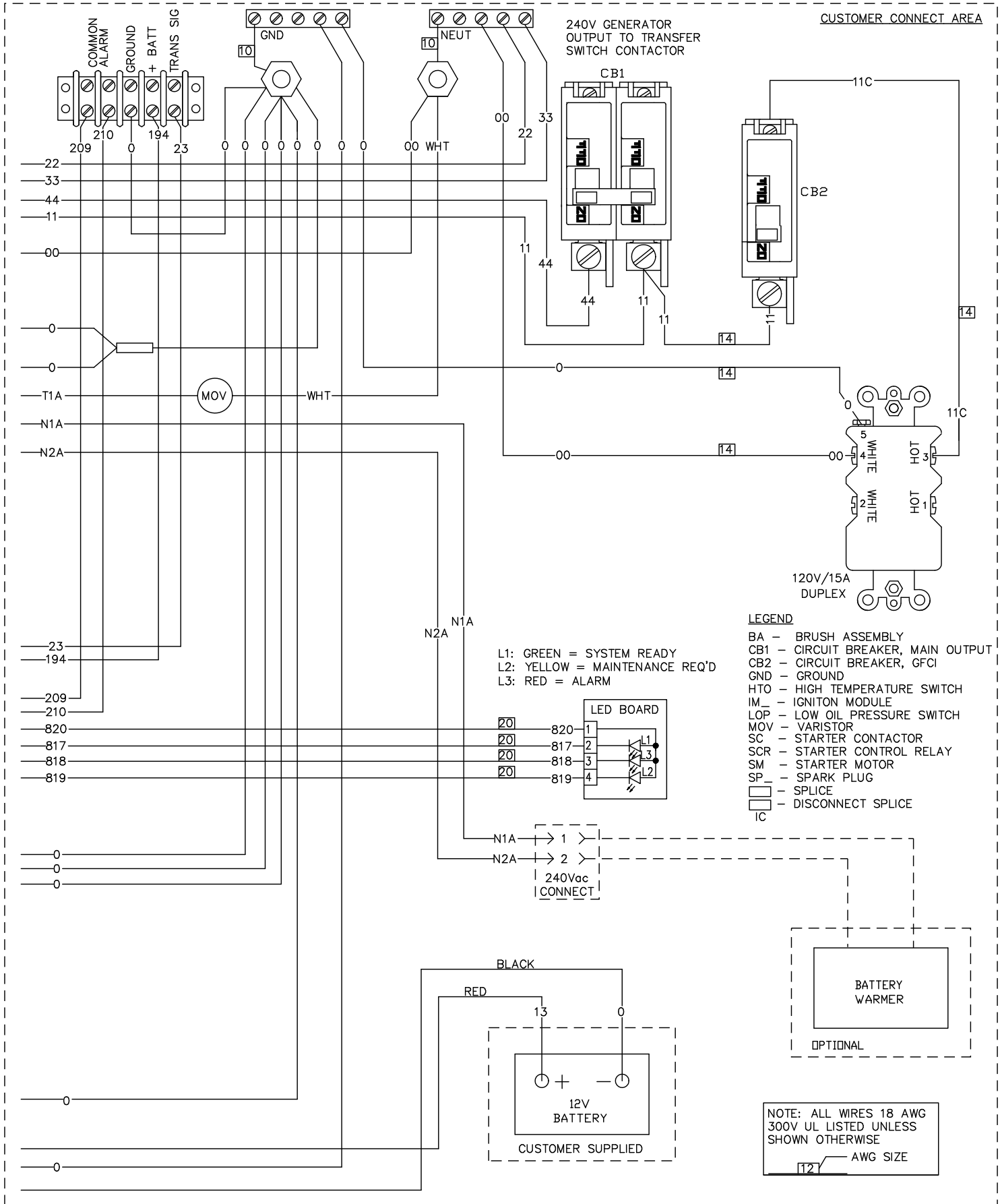
GROUP G



REVISION: -B-
DATE: 04/14/10

WIRING - DIAGRAM
17kW 2010 AIR COOLED
DRAWING #: 0H6198

GROUP G



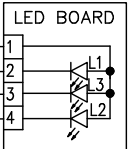
CUSTOMER CONNECT AREA

240V GENERATOR
OUTPUT TO TRANSFER
SWITCH CONTACTOR

LEGEND

- BA - BRUSH ASSEMBLY
- CB1 - CIRCUIT BREAKER, MAIN OUTPUT
- CB2 - CIRCUIT BREAKER, GFCI
- GND - GROUND
- HTO - HIGH TEMPERATURE SWITCH
- IM - IGNITION MODULE
- LOP - LOW OIL PRESSURE SWITCH
- MOV - VARISTOR
- SC - STARTER CONTACTOR
- SCR - STARTER CONTROL RELAY
- SM - STARTER MOTOR
- SP - SPARK PLUG
- - SPLICE
- IC - DISCONNECT SPLICE

L1: GREEN = SYSTEM READY
L2: YELLOW = MAINTENANCE REQ'D
L3: RED = ALARM

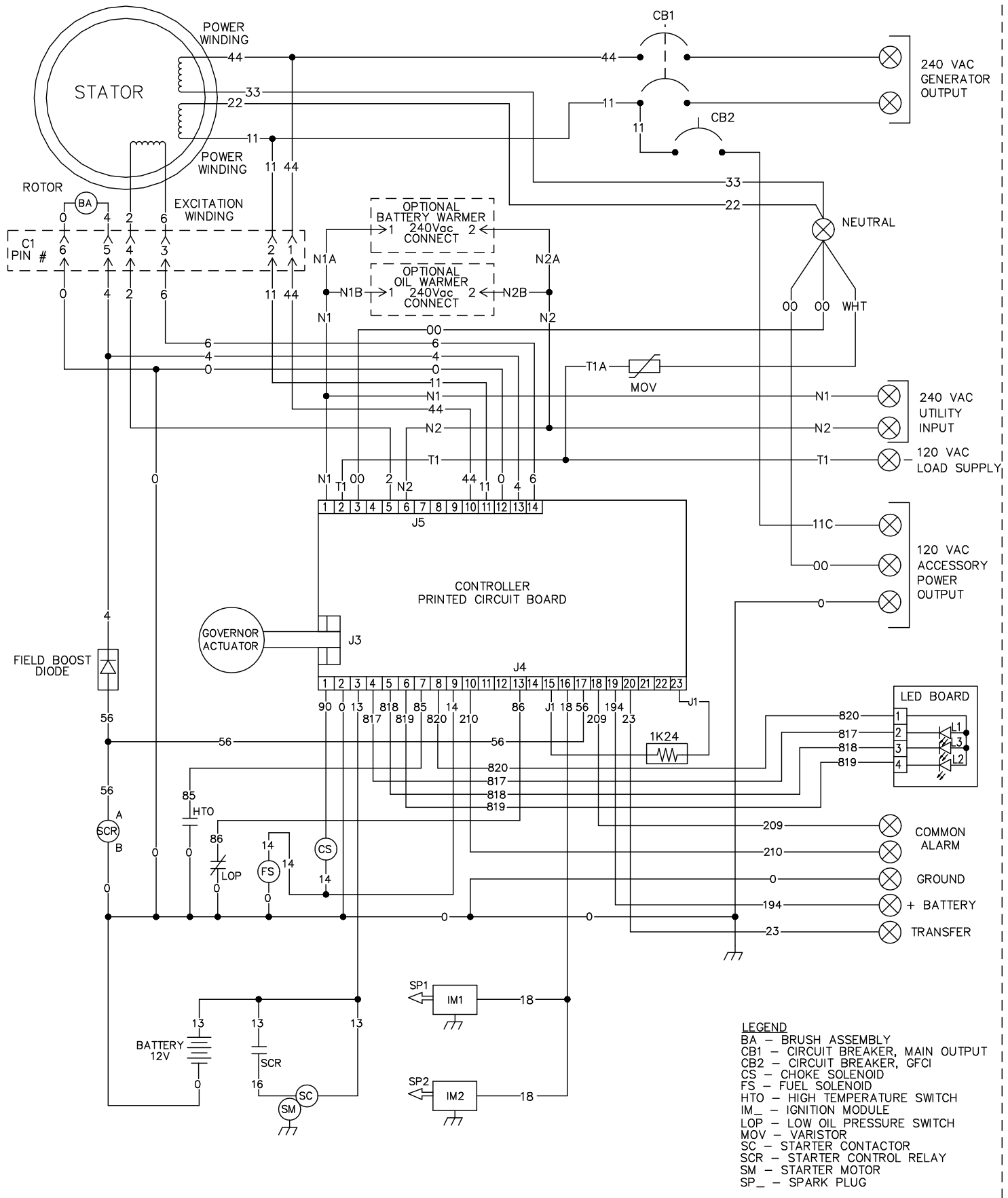


NOTE: ALL WIRES 18 AWG
300V UL LISTED UNLESS
SHOWN OTHERWISE

REVISION: -B-
DATE: 04/14/10

WIRING - DIAGRAM
17kW 2010 AIR COOLED
DRAWING #: 0H6198

GROUP G



- LEGEND**
- BA - BRUSH ASSEMBLY
 - CB1 - CIRCUIT BREAKER, MAIN OUTPUT
 - CB2 - CIRCUIT BREAKER, GFCI
 - CS - CHOKE SOLENOID
 - FS - FUEL SOLENOID
 - HTO - HIGH TEMPERATURE SWITCH
 - IM_ - IGNITION MODULE
 - LOP - LOW OIL PRESSURE SWITCH
 - MOV - VARISTOR
 - SC - STARTER CONTACTOR
 - SCR - STARTER CONTROL RELAY
 - SM - STARTER MOTOR
 - SP_ - SPARK PLUG

SCHEMATIC - DIAGRAM
17kW 2010 AIR COOLED
DRAWING #: 0H6198

REVISION: -B-
DATE: 04/14/10