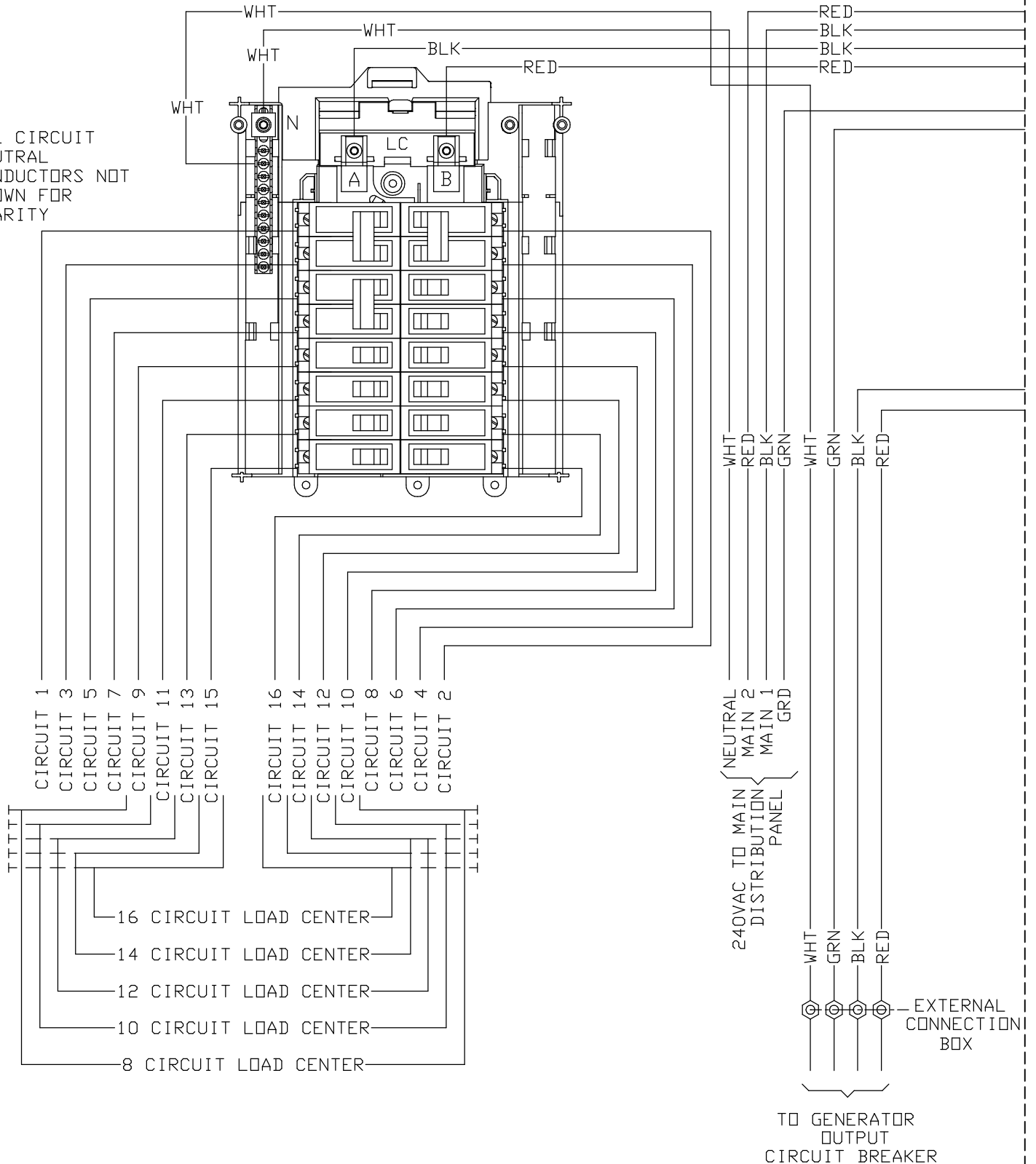
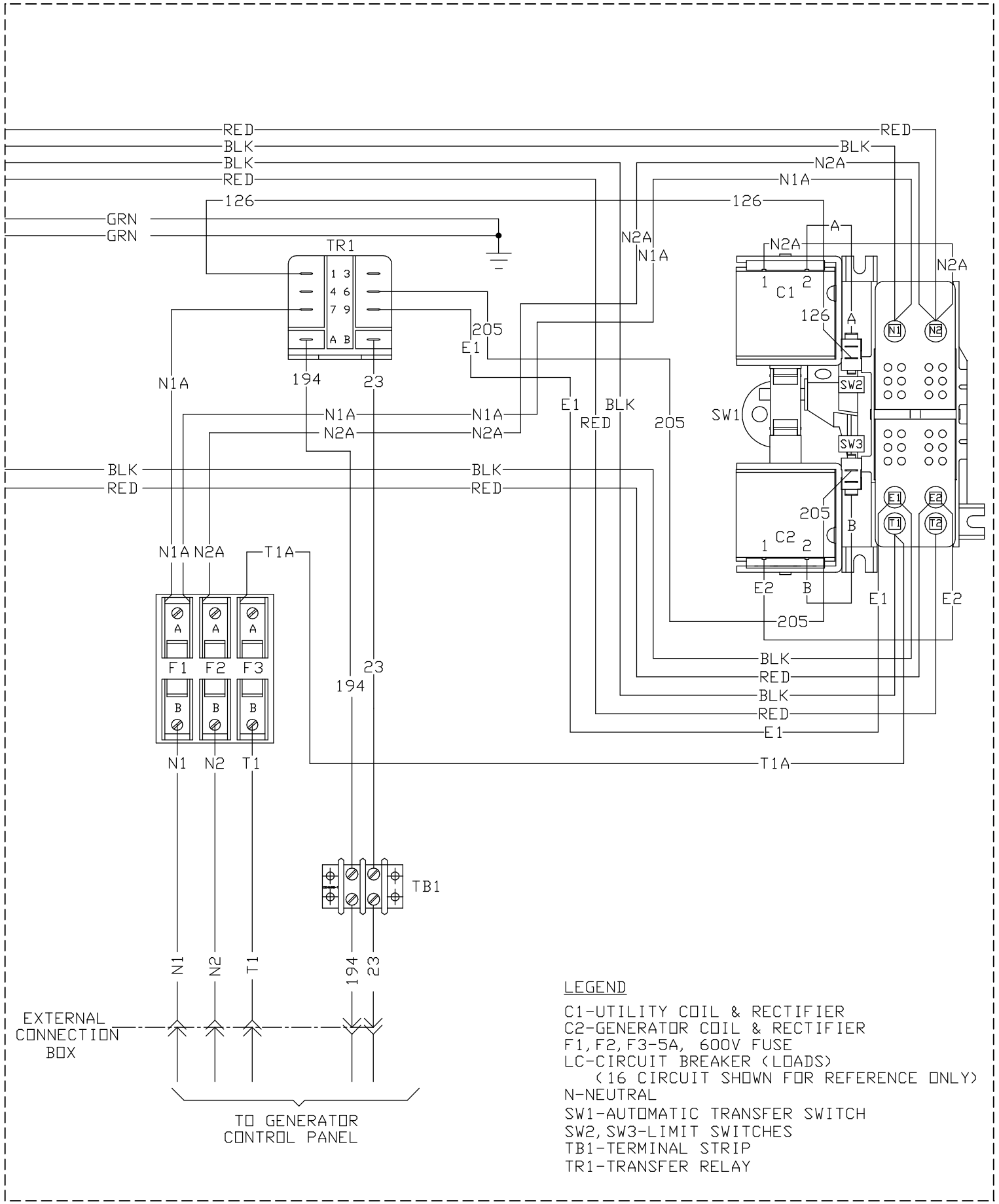


ALL CIRCUIT
NEUTRAL
CONDUCTORS NOT
SHOWN FOR
CLARITY





LEGEND
 C1-UTILITY COIL & RECTIFIER
 C2-GENERATOR COIL & RECTIFIER
 F1, F2, F3-5A, 600V FUSE
 LC-CIRCUIT BREAKER (LOADS)
 (16 CIRCUIT SHOWN FOR REFERENCE ONLY)
 N-NEUTRAL
 SW1-AUTOMATIC TRANSFER SWITCH
 SW2, SW3-LIMIT SWITCHES
 TB1-TERMINAL STRIP
 TR1-TRANSFER RELAY