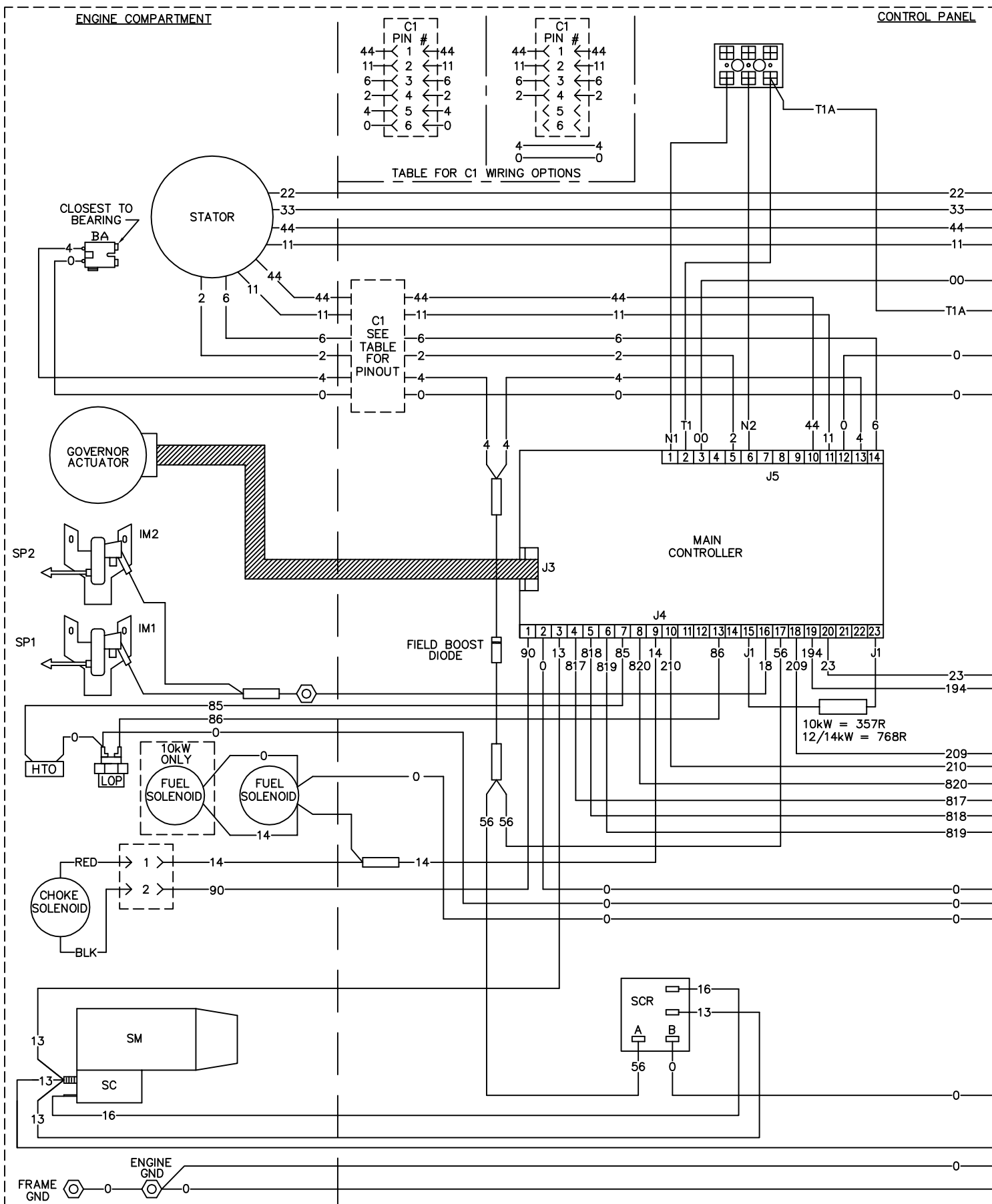


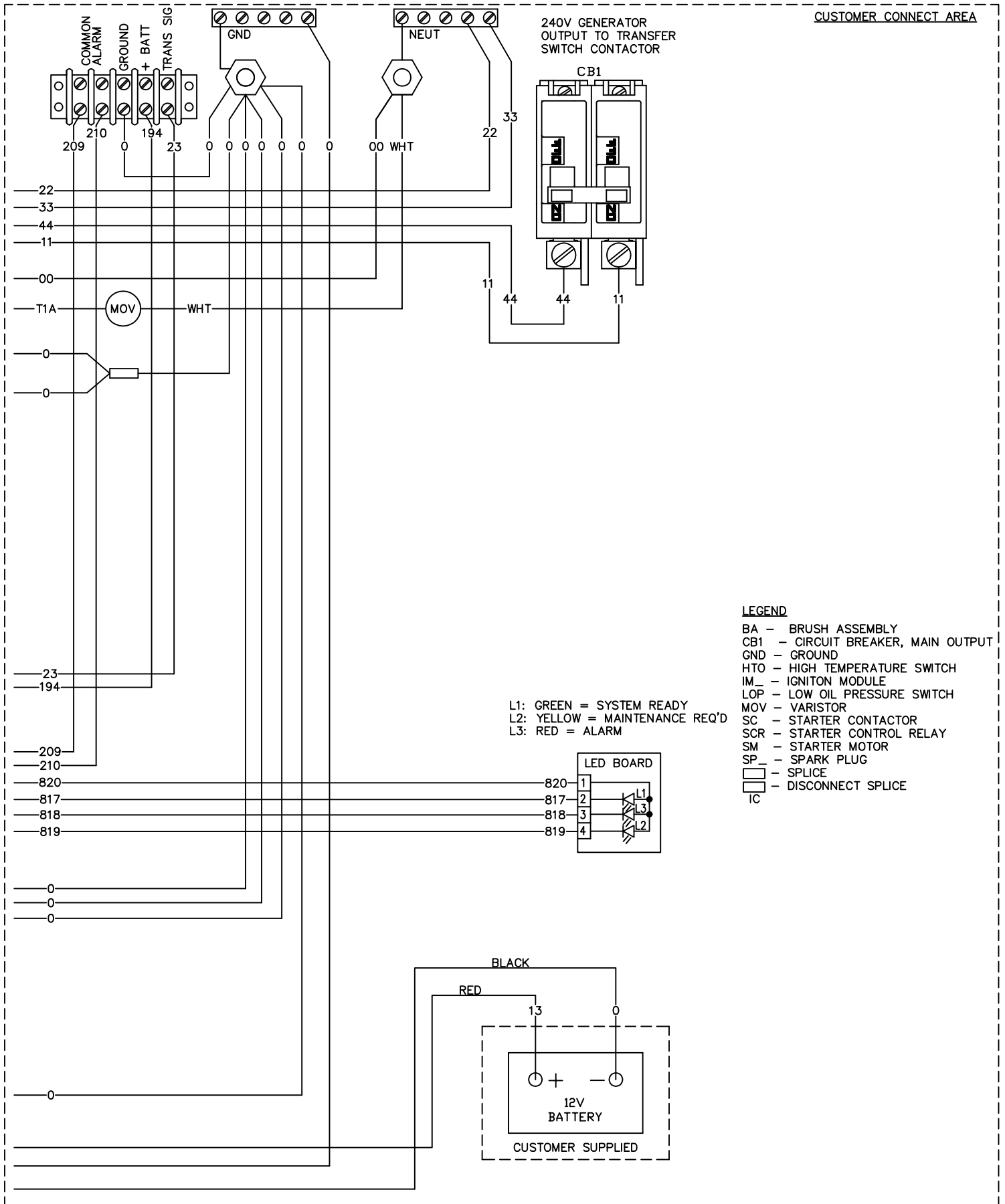
# GROUP G



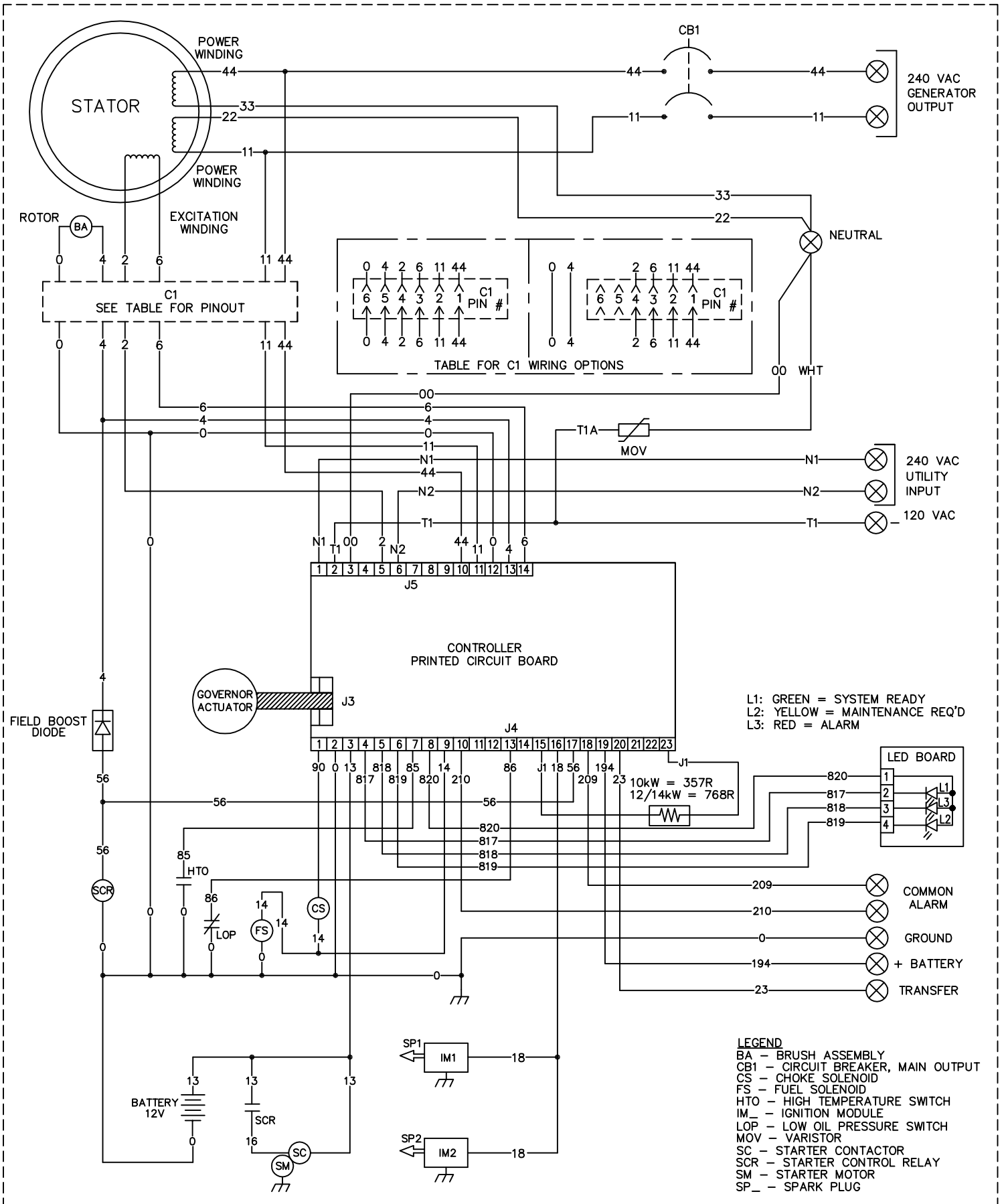
REVISION: -C-  
DATE: 01/11/11

WIRING - DIAGRAM  
WD/SD 10-12/14KW AIRCOOLED HSB  
DRAWING #: 0H7358

# GROUP G



# GROUP G



L1: GREEN = SYSTEM READY  
 L2: YELLOW = MAINTENANCE REQ'D  
 L3: RED = ALARM

- LEGEND**
- BA - BRUSH ASSEMBLY
  - CB1 - CIRCUIT BREAKER, MAIN OUTPUT
  - CS - CHOKE SOLENOID
  - FS - FUEL SOLENOID
  - HTO - HIGH TEMPERATURE SWITCH
  - IM\_ - IGNITION MODULE
  - LOP - LOW OIL PRESSURE SWITCH
  - MOV - VARISTOR
  - SC - STARTER CONTACTOR
  - SC - STARTER CONTROL RELAY
  - SM - STARTER MOTOR
  - SP\_ - SPARK PLUG

REVISION: -C-  
 DATE: 01/11/11

WIRING - DIAGRAM  
 WD/SD 10-12/14KW AIRCOOLED HSB  
 DRAWING #: 0H7358