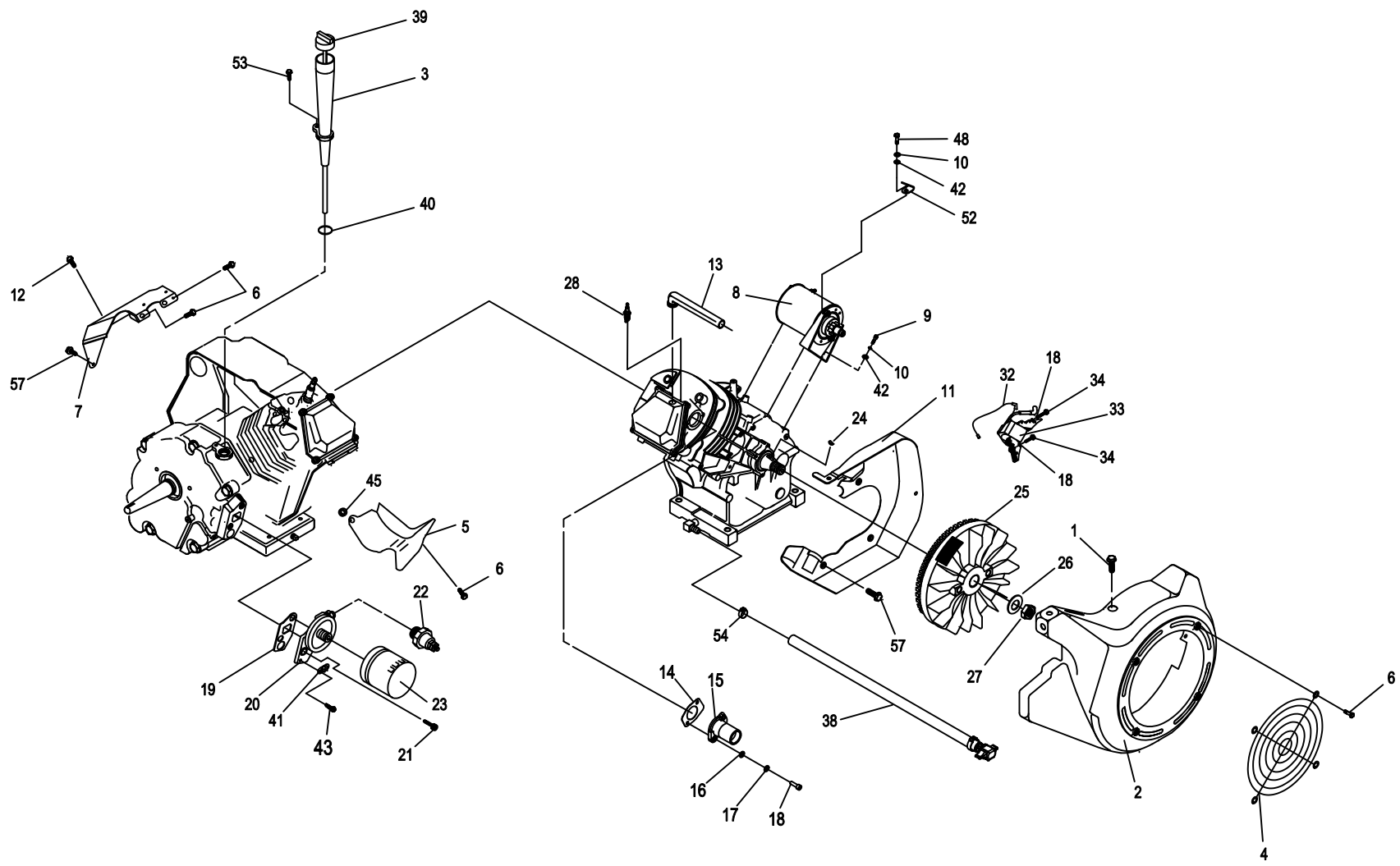


**EXPLODED VIEW:
DRAWING #: 0H7545**

GROUP

APPLICABLE TO:

ITEM	PART #	QTY.	DESCRIPTION
1	0E3221	1	ASSEMBLY, CONNECTING ROD
2	0E1466	1	PIN, PISTON DIA 20
3	0G2565	1	RING SET, PISTON DIA 90
4	0G2751	1	PISTON, FLAT TOP DIA 90 COATED
5	071983	2	RETAINER, PISTON PIN
6	0E8440	1	ASSEMBLY, CRANKSHAFT
7	0H8488	1	EXPANSION PLUG, 0.25 INCH
10	0H0165C	1	CRANKCASE, MACHINED GH-410
11	0E3812	2	SEAL, 35 I.D. CRANKSHAFT
15	0G3358	1	ASSEMBLY, CAMSHAFT & GEAR 410HSB
16	076701	1	GASKET, CRANKCASE
17	021713B	1	GASKET, HEAD 410
18	078691	1	COVER, OIL PRESSURE RELIEF
19	0A5771	1	SPRING, OIL RELIEF 360
20	0A5776	1	BALL, DIA 11/32 PRESSURE LF
22	0G4233C	1	ASSY GEAR COVER GH410 TOPCHK ONLY
23	0D2274	2	RETAINER, VALVE SPRING
24	0C4391	2	SPRING, VALVE L-71.7N
25	086025	1	SET, GEROTOR 12 THICK
26	0E3341	1	BALANCER, MACHINED
27	0G8392	1	ASSEMBLY, CYLINDER HEAD
28	086516	1	VALVE, EXHAUST
29	086517	1	VALVE, INTAKE
30	0D9853B	2	PUSH, ROD
31	083897	2	TAPPET
32	077158	1	ASSEMBLY, OIL PICK-UP SCREEN
33	0C3150	1	GASKET, ROCKER COVER 410
34	072694	2	STUD, D20 PIVOT BALL
35	083907	2	ARM, SOLID ROCKER
36	0D3998	2	NUT, HEX M8-1.0 G8 YELLOW CHROME
37	078694	1	PLATE, PUSH ROD GUIDE
38	021742	4	SCREW, HHFL M10-1.5 X 105
39	0D6094	1	ASSEMBLY, ROCKER COVER BREATHER
40	0G4194	1	ASSY, PISTON HC GH410 COATED (VN'S:1-5)
41	0G5792	1	WASHER LOCK M5 RIBBED
43	045770	1	SCREW, HHC M5-0.8 X 10 G8.8
44	086515	4	KEEPER, VALVE SPRING
45	0G0919	4	SCREW HHFCS M6-1 X 12 G8.8
46	0A1442	8	SCREW, HHFC M8-1.25 X 42
47	078672	1	SEAL, VALVE STEM D7
48	089673	2	WASHER, VALVE SPRING
49	0B2104	1	WASHER, LARGE SPRING
50	078699B	2	SLEEVE, DOWEL PIN 12mm DIA.
51	078699C	2	SLEEVE, DOWEL PIN 14mm DIA.
52	043790A	1	BARBED EL 90 3/8NPT X 3/8 VS
53	0A7627	1	SHAFT, GOVERNOR



APPLICABLE TO:

ITEM	PART #	QTY.	DESCRIPTION
1	0C1069	7	SCREW, TAP TITE M6-1.0X8 YELLOW CHROME
2	0D22420S T03	1	HOUSING, BLOWER GH410 BLACK
3	0G1220	1	TUBE 410GH OIL FILL/CHECK
4	0C9997	1	GUARD, FAN
5	088434	1	WRAPPER, BOTTOM
6	045756	6	SCREW, TAP TITE M6-1X10 YELLOW CHROME
7	0C4176A	1	WRAPPER, TOP
8	0D9004A	1	ASSY, STARTER
9	081990	2	SCREW SHC M8-1.25 X 40 C8.8
10	022129	3	WASHER, LOCK M8-5/16
11	0C2458A	1	BACKPLATE, L/F D/F
12	0G7967	1	SCREW, HHTT 5/16"-18 X 1/2" SEMI-GIMLET
13	0G7734	1	BREATHER HOSE
14	091039	1	GASKET, INTAKE ADAPTER
15	0H6678	1	ASSY THROTTLE BODY
16	049811	2	WASHER, FLAT M6
17	022097	4	WASHER, LOCK M6-1/4
18	040945	4	SCREW, SHC M6-1.0 X 20 G12.9
19	086999	1	GASKET, OIL FILTER ADAPTER
20	0D5667A	1	ADAPTER, OIL FILTER
21	049821	2	SCREW, SHC M8-1.25 X 30 G12.9
22	0H1315	1	SWITCH, OIL 5 PSI
23	070185E	1	OIL FILTER
24	082774	1	KEY, WOODRUFF 4 X 19D
25	091222C	1	FLYWHEEL WITH RING GEAR 27 DEGREE
26	067198N	1	WASHER, BELV-20 X 2.2
27	067890	1	NUT, HEX - FLYWHEEL
28	0E7585	1	SPARK PLUG
32	0D6625	1	ASSEMBLY, WIRE
33	0G9241	1	ASSEMBLY, IGNITION COIL ADVANCE W/DIODE
34	080318	2	SCREW HHFC M6-1.0 X 25 FTH G8
38	0H8131	1	ASSY OIL DRAIN HOSE
39	0H5600	1	DIP STICK, GT H410
40	090072	1	O-RING 9/16 X 3/4 X 3/32
41	094090	1	SWITCH, THERMAL 293F
42	022145	3	WASHER FLAT 5/16 - M8
43	0F2094	2	SCREW, M3-0.5 X 6 SEMS
45	022717B	1	GOMMET
48	039253	1	SCREW HHC M8-1.25 x 20
52	0D8758	1	ENGINE LIFT HOOK
53	0D6147	1	SCREW HHFCS M6-1.0X10 G8.8
54	0G3662B	1	CLAMP, HOSE OETIKER STEPLE SS 17
57	0E1552	5	SCREW HHFC M6-1.0 X 12
	* = NOT SHOWN IN EV		