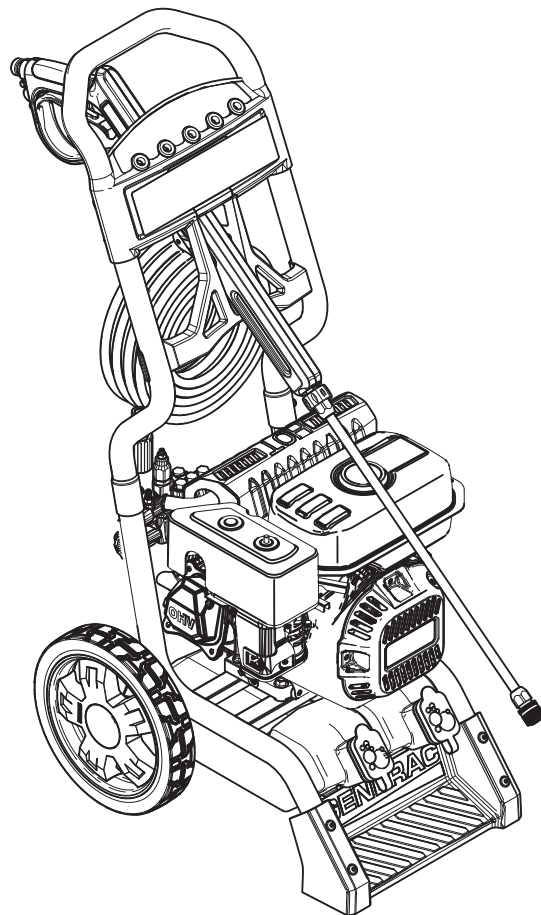




# Operator's Manual

## Power Washer



# Table of Contents

<b>Introduction</b> .....	<b>1</b>	<b>Maintenance</b> .....	<b>14</b>
<b>Safety Rules</b> .....	<b>1</b>	Maintenance Recommendations.....	14
Safety Symbols and Meanings .....	1	Maintenance Schedule .....	15
<b>General Information</b> .....	<b>4</b>	Pump Oil.....	15
Know Your Power Washer .....	4	Emissions Control.....	15
Product Specifications .....	5	Power Washer Maintenance .....	15
Emissions Information .....	5	Check and Clean Inlet Screen.....	15
High Altitude Operation.....	5	Check High Pressure Hoses .....	15
Unpacking.....	6	Check Detergent Siphoning Tube.....	15
		Check Spray Gun.....	15
		Nozzle Maintenance .....	15
		Engine Maintenance .....	16
<b>Set-up</b> .....	<b>6</b>	Engine Oil Recommendations.....	16
Assembly.....	6	Check Oil Level .....	17
Add Engine Oil .....	7	Adding Engine Oil.....	17
Add Fuel .....	7	Changing Engine Oil .....	17
Connect Hose and Water Supply to Pump .....	8	Service Air Cleaner .....	18
How to Use Nozzles .....	9	Service Spark Plug.....	18
Cleaning and Applying Detergent .....	10	Inspect Muffler and Spark Arrestor .....	18
Power Washer Rinsing .....	11	Remove Spark Arrestor Screen.....	18
Cleaning Detergent Siphoning Tube.....	11	After Each Use.....	19
		Winter Storage .....	19
		Long Term Storage.....	20
		Protect Fuel System .....	20
		Protect Engine.....	20
		Change Oil .....	20
		Protecting the Pump.....	20
		Other Storage Instructions.....	20
		Transporting/Tipping of the Unit .....	20
<b>Operation</b> .....	<b>12</b>	<b>Troubleshooting</b> .....	<b>21</b>
Operation .....	12	Troubleshooting Guide.....	21
Power Washer Location .....	12		
Checklist Before Starting Engine.....	12		
How to Start Your Power Washer .....	12		
Automatic Cool Down System (Thermal Relief) .....	14		
How to Stop Your Power Washer.....	14		
		<hr/>	
		<b>Manuel del propietario</b> .....	<b>23</b>
		<b>Manuel d'entretien</b> .....	<b>47</b>

## INTRODUCTION

Thank you for purchasing this power washer manufactured by Generac Power Systems, Inc. This model is a high performance, air-cooled, engine-driven power washer that operates between 2500 and 3100 psi depending on which model you purchased. The units feature custom designed wheels, axial cam pump with stainless steel pistons, automatic cool down system, quick connect nozzles, high pressure hose, detergent siphoning hose and chemical tank(s) depending on unit model.

**Common sense and strict compliance with the special instructions are essential to preventing accidents.** The operator must read this manual and thoroughly understand all of the instructions and warnings before using the equipment. If any portion of the manual is not understood, contact the nearest Authorized Dealer for starting, operating and servicing procedures. The owner is responsible for proper and safe use of the equipment.

The power washer can operate safely, efficiently and reliably only if it is properly located, operated and maintained. Before operating, servicing or storing:

- Study all warnings in this manual and on the product carefully.
- Become familiar with this manual and the unit before use.
- Refer to the Assembly section of the manual for instructions on final assembly procedures. Follow the instructions completely.

The manufacturer cannot anticipate every possible circumstance that might involve a hazard. The warnings in this manual, and on tags and decals affixed to the unit are, therefore, not all inclusive. If using a procedure, work method or operating technique that the manufacturer does not specifically recommend, ensure that it is safe for others. Also make sure the procedure, work method or operating technique utilized does not render the power washer unsafe.

THE INFORMATION CONTAINED HEREIN WAS BASED ON MACHINES IN PRODUCTION AT THE TIME OF PUBLICATION. GENERAC RESERVES THE RIGHT TO MODIFY THIS MANUAL AT ANY TIME.

**Save these instructions for future reference. If you loan this device to someone, ALWAYS loan these instructions AND the Owner's Manual to the individual as well.**

## WHERE TO FIND US

You can contact Generac Customer Service by phone at 1-888-436-3722, or on the internet at [www.generac.com](http://www.generac.com). Record the important information of the unit in the following chart for future reference and/or service inquiries.

<b>Model Number</b>	
<b>Serial Number</b>	
<b>Date Purchased</b>	

## SAFETY RULES

Throughout this publication, and on tags and decals affixed to the power washer, DANGER, WARNING, CAUTION and NOTE blocks are used to alert personnel to special instructions about a particular operation that may be hazardous if performed incorrectly or carelessly. Observe them carefully. Their definitions are as follows:

### **⚠ DANGER!**

Indicates a hazardous situation or action which, if not avoided, will result in death or serious injury.

### **⚠ WARNING!**

Indicates a hazardous situation or action which, if not avoided, could result in death or serious injury.

### **⚠ CAUTION!**

Indicates a hazardous situation or action which, if not avoided, could result in minor or moderate injury.

### **NOTE:**

**Notes contain additional information important to a procedure and will be found within the regular text body of this manual.**

These safety warnings cannot eliminate the hazards that they indicate. Common sense and strict compliance with the special instructions while performing the action or service are essential to preventing accidents.

## SAFETY SYMBOLS AND MEANINGS



Toxic Fumes



Kickback



Electrical Shock



Slippery Surface



Fall



Fluid Injection



Fire



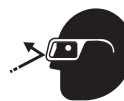
Explosion



Operator's Manual



Moving Parts




Flying Objects




Hot Surface


# Safety Rules

 **DANGER: Carbon monoxide produced during use CAN KILL in minutes. NEVER use indoors, in a vehicle, or in other sheltered areas, EVEN IF doors and windows are open. Only use OUTSIDE and far away from windows, doors and vents.**

 **Some chemicals or detergents may be harmful if inhaled or ingested, causing severe nausea, fainting, or poisoning.**

- Operate power washer ONLY outdoors.
- A running engine gives off carbon monoxide.
- Carbon monoxide is an odorless, colorless, poisonous gas. Breathing carbon monoxide can cause headache, fatigue, dizziness, vomiting, confusion, seizures, nausea, fainting or death. If you start experiencing any of these symptoms, IMMEDIATELY move to fresh air. Seek medical attention.
- Keep exhaust gas from entering a confined area through windows, doors, ventilation intakes, or other openings. Warn any occupants inside about the symptoms of carbon monoxide so they know to move to fresh air if they begin to feel ill.
- The use of a carbon monoxide detector inside any occupied premises between the power washer and the occupant is recommended.
- NEVER start or run engine indoors, in a vehicle, or in an enclosed area, EVEN IF windows and doors are open.
- Use a respirator or mask whenever there is a chance that harmful gas or vapors may be inhaled.
- Read all instructions with respirator or mask so you are certain the respirator or mask will provide the necessary protection against inhaling harmful gas or vapors. If you begin to experience any of the CO symptoms listed above, IMMEDIATELY move to fresh air.

 **DANGER: NEVER aim spray gun at people, animals, or electrical devices. Serious injury or death will result. ALWAYS point spray gun in safe direction, squeeze spray gun trigger to release high pressure, every time you stop engine. Engage trigger lock when not in use.**

- 
- The high pressure stream of water that this equipment produces can cut through skin and its underlying tissues, leading to serious injury, possible amputation or death. Spray gun traps high water pressure, EVEN WHEN engine is stopped and water is disconnected, which can cause injury.
  - NEVER allow CHILDREN to operate power washer or play nearby. This is NOT a toy.
  - NEVER repair high pressure hose. Replace it.
  - NEVER repair leaking connections with sealant of any kind. Replace o-ring or seal.
  - NEVER connect high pressure hose to nozzle extension.
  - Keep high pressure hose connected to pump and spray gun while system is pressurized.
  - NEVER secure spray gun in open position.
  - NEVER leave spray gun unattended while machine is running.
  - NEVER use a spray gun which does not have a trigger lock or trigger guard in place and in working order.
  - ALWAYS be certain spray gun, nozzles and accessories are correctly attached.

 **WARNING: Risk of electrocution.**

 **Contact with power source can cause electric shock or burn.**

- NEVER spray near power source.

 **WARNING: Contact with muffler area can result in serious burns. Exhaust heat/gases can ignite combustibles, structures or damage fuel tank causing a fire.**



- DO NOT touch hot parts and AVOID hot exhaust gases.
- Allow equipment to cool before touching.
- Keep at least five (5) feet (152 cm) of clearance on all sides of power washer including overhead.



- It is a violation of California Public Resource Code, Section 4442, to use or operate the engine on any forest-covered, brush-covered, or grass-covered land unless the exhaust system is equipped with a spark arrester, as defined in Section 4442, maintained in effective working order. Other states or federal jurisdictions may have similar laws.

Contact the original equipment manufacturer, retailer, or dealer to obtain a spark arrester designed for the exhaust system installed on this engine.

- Replacement parts must be the same and installed in the same position as the original parts.

 **WARNING: Fuel and its vapors are extremely flammable and explosive. Fire or explosion can cause severe burns or death.**



### WHEN ADDING OR DRAINING FUEL

- Turn power washer OFF and let it cool at least two (2) minutes before removing fuel cap. Loosen cap slowly to relieve pressure in tank.



- Fill or drain fuel tank outdoors.
- DO NOT overfill tank. Allow space for fuel expansion.
- If fuel spills, wait until it evaporates before starting engine.

- Keep fuel away from sparks, open flames, pilot lights, heat, and other ignition sources.
- DO NOT light a cigarette or smoke.

### WHEN STARTING EQUIPMENT

- Ensure spark plug, muffler, fuel cap, and air cleaner are in place.
- DO NOT crank engine with spark plug removed.

### WHEN OPERATING EQUIPMENT

- DO NOT tip engine or equipment at angle which causes fuel to spill.
- DO NOT spray flammable liquids.

### WHEN TRANSPORTING OR REPAIRING EQUIPMENT

- Transport/repair with fuel tank EMPTY or with fuel shutoff valve OFF.
- Disconnect spark plug wire.

### WHEN STORING FUEL OR EQUIPMENT WITH FUEL IN TANK

- Store away from furnaces, stoves, water heaters, clothes dryers, or other appliances that have pilot light or other ignition source because they can ignite fuel vapors.

**WARNING:** Use of power washer can create puddles and slippery surfaces. Kickback from spray gun can cause you to fall.



- Use only on a level surface.
- The cleaning area should have adequate slopes and drainage to reduce the possibility of a fall due to slippery surfaces.
- Do not use on elevated surfaces where chance of kickback could result in a serious fall.
- Firmly grasp spray gun with both hands when using high pressure spray to avoid injury when spray gun kicks back.



**WARNING:** Starter and other rotating parts can entangle hands, hair, clothing, or accessories.



- NEVER operate power washer without protective housing or covers.
- DO NOT wear loose clothing, jewelry or anything that may be caught in the starter or other rotating parts.
- Tie up long hair and remove jewelry.

**WARNING:** Starter cord kickback (rapid retraction) can result in bodily injury. Kickback will pull hand and arm toward engine faster than you can let go. Broken bones, fractures, bruises, or sprains could result.



- NEVER pull starter cord without first relieving spray gun pressure.
- To relieve trapped pressure, point gun in safe direction and release pressure by pulling/actuating trigger on spray gun.
- When starting engine, pull cord slowly until resistance is felt and then pull rapidly to avoid kickback.
- After each starting attempt, where engine fails to run, always point spray gun in safe direction, and squeeze spray gun trigger to release high pressure.
- Firmly grasp spray gun with both hands when using high pressure spray to avoid injury when spray gun kicks back.

**WARNING:** Unintentional sparking can result in fire or electric shock.



**WHEN ADJUSTING OR MAKING REPAIRS TO YOUR POWER WASHER.**

- Disconnect the spark plug wire from the spark plug and place the wire where it cannot contact spark plug.



**WHEN TESTING FOR ENGINE SPARK**

- Use approved spark plug tester.
- DO NOT check for spark with spark plug removed.

**WARNING:** Risk of eye injury. Spray can splash back or propel objects.



- Always wear safety goggles when using this equipment or in vicinity of where equipment is in use.
- Before starting the power washer, be sure you are wearing adequate safety goggles.
- NEVER substitute safety glasses for safety goggles.

**WARNING:** The engine exhaust from this product contains chemicals known to the State of California to cause cancer, birth defects, or other reproductive harm.

**WARNING:** This product contains lead and lead compounds, known to the State of California to cause birth defects or other reproductive harm. Wash your hands after handling this product.

**NOTE:**

**High pressure spray may damage fragile items including glass.**

- DO NOT point spray gun at glass when using red (0°) MAX nozzle.
- NEVER aim spray gun at people, animals, electrical devices or plants.

**NOTE:**

**Improper treatment of power washer can damage it and shorten its life.**

- If you have questions about intended use, ask dealer or contact qualified service center.
- NEVER operate units with broken or missing parts, or without protective housing or covers.
- DO NOT by-pass any safety device on this machine.
- DO NOT operate power washer above rated pressure.
- DO NOT modify power washer in any way.
- Before starting power washer in cold weather, check all parts of the equipment to be sure ice has not formed there.
- NEVER move machine by pulling on hoses. Use handle provided on unit.
- Check fuel system for leaks or signs of deterioration, such as chafed or spongy hose, loose or missing clamps, or damaged tank or cap. Correct all defects before operating power washer.
- This equipment is designed to be used with Generac authorized parts ONLY. If equipment is used with parts that DO NOT comply with minimum specifications, user assumes all risks and liabilities.

**CALIFORNIA PROPOSITION 65 WARNING**

Engine exhaust and some of its constituents are known to the State of California to cause cancer, birth defects and other reproductive harm.

**CALIFORNIA PROPOSITION 65 WARNING**

This product contains or emits chemicals known to the State of California to cause cancer, birth defects and other reproductive harm.

## General Information

### KNOW YOUR POWER WASHER

Read this owner's manual and safety rules before operating your high power washer.

If you loan this device to someone, ALWAYS loan these instructions AND the owner's manual to the individual as well. Compare the illustrations with your high power washer to familiarize yourself with the locations of various controls (Figure 1). Save this manual for future reference. Replacement owner's manuals can be printed from the Generac Web site.

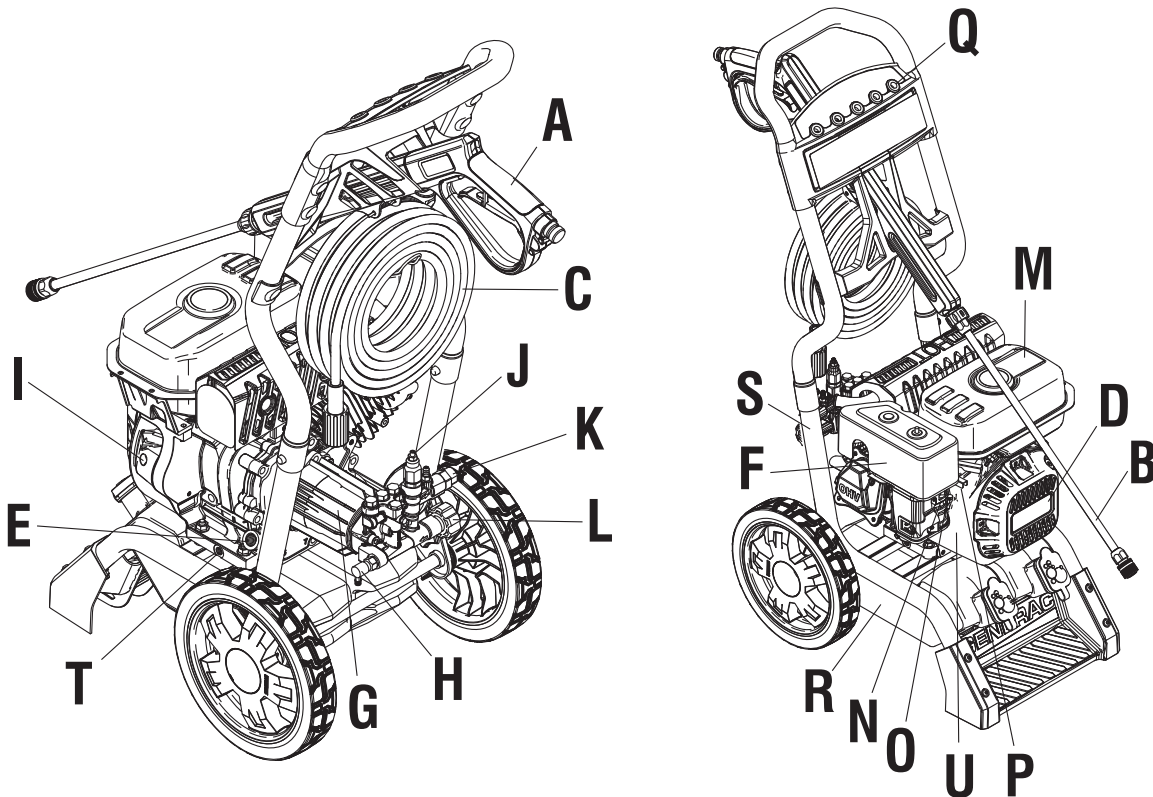
- A - Spray Gun** – Controls the application of water onto the cleaning surface with trigger device. Includes a trigger lock.
- B - Lance with Quick Connect** – Allows you to switch between different nozzles.
- C - High Pressure Hose** – Connect one end to water pump and the other to the spray gun.
- D - Recoil Starter** – Use for starting the engine.
- E - Oil Fill** – Check and add engine oil.
- F - Air Filter** – Protects engine by filtering dust and debris out of the intake air.
- G - Pump** – Develops high pressure.
- H - Thermal Relief Valve** – Cycles water through the pump when water reaches 125°F warm water will discharge from pump onto ground. This prevents internal pump damage.
- I - Engine On/Off Switch** – Turn this switch to "ON" before using the recoil starter. Turn the switch to "OFF" to stop the engine.

- J - Unloader Valve** – Controls the high pressure output.
- K - High Pressure Outlet** – Connection for high pressure hose.
- L - Water Inlet** – Connection for Garden Hose.
- M - Fuel Tank** – Fill tank with regular unleaded fuel. Always leave room for fuel expansion.
- N - Fuel On/Off Switch** – Turns fuel supply to the engine on and off.
- O - Choke** – Prepares a cold engine for starting.
- P - Throttle Lever** – Increases or decreases engine speed. Throttle should be at maximum travel when the power washer is in use.
- Q - Nozzles** – Chemical injection, 0°, 15°, 25°, 40° for various high pressure cleaning applications.
- R - Chemical Tank** – Used to hold power washer safe detergents to be siphoned into the low pressure stream. (some units may not be equipped with tanks or may only have one tank).
- S - Warning/Operation Instruction** – Identifies proper procedure to start/stop power washer.
- T - Drain Plug** – Used to drain engine oil.
- U - Serial Number Location**

### ITEMS NOT SHOWN

- Identification Label (on engine blower housing) – Provides model and serial number of power washer. Please have these readily available if calling for assistance.
- Detergent Siphoning Tube/Filter – Use to siphon power washer safe detergents into the low pressure stream.

Figure 1 – Features & Controls



## PRODUCT SPECIFICATIONS

<b>CONSUMER</b>			
Pressure - (PSI / BAR)	2500/172	2700/186	3100/213
Flow Rate - (GPM / LPM)	2.3/8.7		2.7/10.2
Water supply temperature - (°F / C°)	100/38 Max		
Hose length - (Feet / Meters)	25/7.6	25/7.6	30/9.1
Chemical Tank(s) - Number per unit	0	1	2
Chemical Tank - Capacity (Gallon - Liters)	N/A	0.75/2.8	0.75/2.8
Nozzles - Number per unit	3	4	5
Lance Length (Inches / cm)	20/51		
Gun	Standard		Deluxe
Engine Displacement - (Cubic Inch / cc)	11.9/196		12.9/212
Spark Plug Type	F7TC or equivalent		
Spark Plug Gap - (Inches / mm)	0.028-0.031/0.70-0.80		
Fuel Capacity - (Quarts / Liters)	3.7/3.5		
Oil Capacity - (Oz / Liters)	20/0.6		
Low Oil Shut Down System	Yes		
On/Off Switch	Yes		

## EMISSIONS INFORMATION

The U.S. Environmental Protection Agency (and California Air Resource Board for equipment certified to CA standards) requires that this engine comply with exhaust and evaporative emission standards. Locate the emissions compliance decal on the engine to determine what standards the engine meets, and to determine which emissions warranty applies. The engine is certified to meet the applicable emission standards on gasoline. It is important to follow the maintenance specifications in the Maintenance section to ensure that the engine complies with the applicable emission standards for the duration of the product's life. This engine utilizes lean carburetion settings and other systems to reduce emissions. Tampering with or altering the emission control system may increase emissions and may be a violation of Federal or California Law. Acts that constitute tampering include but are not limited to:

- Removal or alteration of any part of the intake, fuel, or exhaust systems
- Altering or defeating the governor linkage or speed-adjusting mechanism to cause the engine to operate outside its design parameters

If you are aware of any of the following symptoms, have your engine inspected and repaired by your servicing dealer:

- Hard starting or stalling after starting
- Rough idle
- Misfiring or backfiring under load
- Afterburning (backfiring)
- Black exhaust smoke or high fuel consumption

## HIGH ALTITUDE OPERATION

The fuel system on this engine may be influenced by operation at higher altitudes. Proper operation can be ensured by installing an altitude kit when required. See the table below to determine when an altitude kit is required. Operating this engine without the proper altitude kit installed may increase the engine's emissions and decrease fuel economy and performance. Kits may be obtained from any Dealer, and should be installed by a qualified individual.

Altitude*	Kit Number	PSI
0 - 5000 Feet	Not Required	2500/2700/3100
5000 - 7000 Feet	0K2015	2500/2700
5000 - 7000 Feet	0K2016	3100

\*Elevation above sea level.

### NOTE:

**If the altitude kit has been installed and the engine will be operated at an altitude where the kit is not required, the engine should be returned to the original factory configuration. Operating the engine at lower altitudes with the kit installed may cause the engine to overheat and result in serious engine damage, and may result in decreased performance and increased emissions.**

# Set-up

## UNPACKING

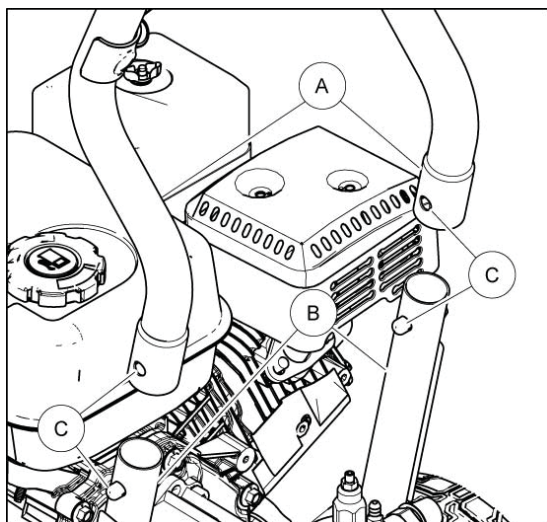
1. Remove the parts bag, accessories, and inserts included with power washer.
2. Open carton completely by cutting each corner from top to bottom.
3. Ensure you have all included items prior to assembly.
  - Main Unit
  - Handle Assembly
  - High Pressure Hose
  - Siphon Hose & Filter
  - Spray Gun
  - Lance with Quick Connect Fitting
  - Oil Bottle
  - Hose Hook Wireform
  - Parts Bag (which includes the following):
    - Chemical Tank Cap with hole if model is equipped with a Chemical Tank
    - Operator's Manual
    - Owner's Registration Card
    - Bag containing Color-coded Nozzles
4. If you are missing any items from your carton, please call Generac Customer Service at 1-888-436-3722. When calling for assistance, please have the model and serial number from the data tag available.
5. Fill out and send in registration card. Write Model number, Serial number & date of purchase in the table located in the "Where to Find Us" section.

## ASSEMBLY

Read entire operator's manual before you attempt to assemble or if you have any problems with the assembly of your power washer, please call Generac Customer Service at 1-888-436-3722. When calling for assistance, please have the model and serial number from the data tag available.

1. Place handle (A) onto handle supports (B). Push in latch buttons and allow handle to slide into position (C). Button will lock handle into place (Figure 2).

**Figure 2 – Attach Handle**

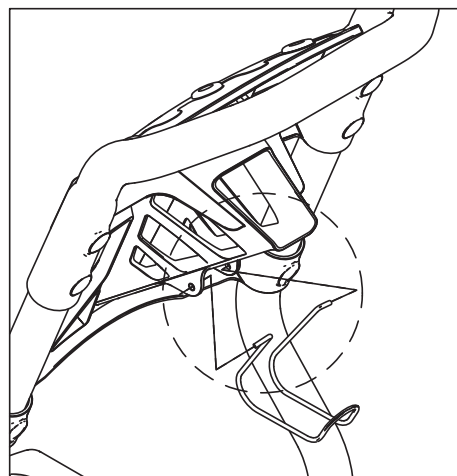


### NOTE:

**It may be necessary to move the handle supports from side to side in order to align the handle so it will slide over the handle supports.**

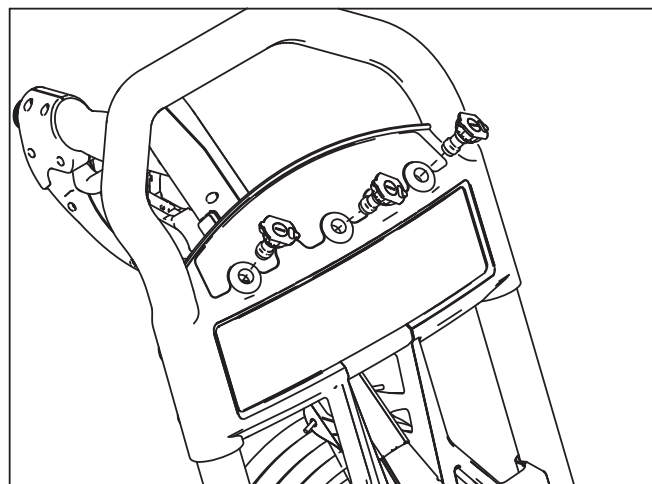
2. Install hose hook (Figure 3).

**Figure 3 – Install Hose Hook**



3. Insert color-coded nozzles in spaces provided in handle (Figure 4).
4. Place spray gun and nozzle extension into spray gun holder as shown (Figure 4).
5. Coil high pressure hose and hang on hook.

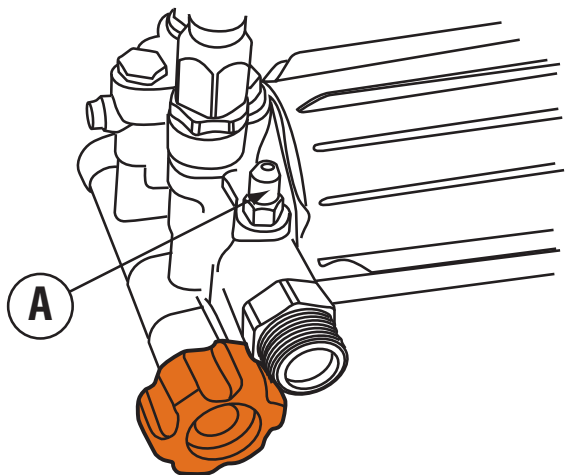
**Figure 4 – Insert Nozzles**





- Attach siphon tube to location A (Figure 5).

**Figure 5 – Siphon Tube Location**



## ADD ENGINE OIL

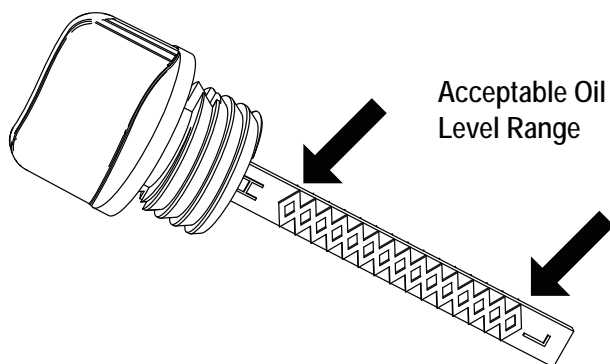
- Place power washer on a flat, level surface.
- Clean area around oil fill and remove orange oil fill cap/dipstick.
- Using oil funnel (optional), slowly pour oil into fill opening. See Maintenance section for oil type recommendation.

**NOTE:**

**On some units there is more than one oil fill location. In these instances it is only necessary to use one of the oil fill points.**

- Check periodically until the oil level is between "L" and "H" on the dipstick (Figure 6). **DO NOT OVERFILL.**

**Figure 6 – Dipstick**



**NOTE:**

**Any attempt to crank or start the engine before it has been properly serviced with the recommend oil may result in engine failure.**

- Replace oil fill cap/dipstick and fully tighten.

## ADD FUEL

Fuel must meet these requirements:

- Clean, fresh, unleaded gasoline.
- A minimum of 87 octane/87 AKI (91 RON).
- Gasoline with up to 10% ethanol (gasohol) is acceptable.

**NOTE:**

**Avoid power washer damage. Failure to follow Operator's Manual for fuel recommendations voids warranty.**

- DO NOT use unapproved gasoline such as E85.
- DO NOT mix oil in gasoline.
- DO NOT modify engine to run on alternate fuels.

To protect the fuel system from gelling, mix in a fuel stabilizer when adding fuel. See Storage. All fuel is not the same. If you experience starting or performance problems after using fuel, switch to a different fuel provider or change brands.

**⚠ WARNING!**

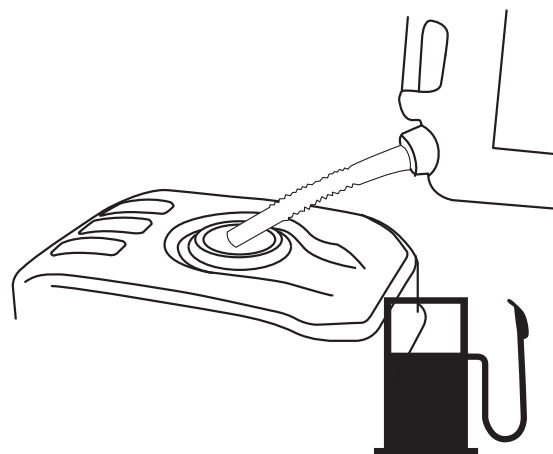


**Fuel and its vapors are extremely flammable and explosive. Fire or explosion can cause severe burns or death.**

### WHEN ADDING FUEL

- Turn power washer OFF and let it cool at least two (2) minutes before removing fuel cap. Loosen cap slowly to relieve pressure in tank.
  - Fill fuel tank outdoors.
  - DO NOT overfill tank. Allow space for fuel expansion.
  - If fuel spills, wait until it evaporates before starting engine.
  - Keep fuel away from sparks, open flames, pilot lights, heat, and other ignition sources.
  - DO NOT light a cigarette or smoke.
- Clean area around fuel fill cap, remove cap.
  - Slowly add regular unleaded fuel to fuel tank. Be careful not to overfill. Fill to bottom of filter screen, this will allow for fuel expansion (Figure 7).
  - Install fuel cap and let any spilled fuel evaporate before starting engine.

**Figure 7 – Adding Fuel**



## CONNECT HOSE AND WATER SUPPLY TO PUMP

### NOTE:

**DO NOT** run the pump without the water supply connected and turned on. Damage to equipment resulting from failure to follow this instruction will void warranty.

### NOTE:

**Remove and discard the shipping cap from the pump's water inlet before attaching hose.**

1. Run water through your garden hose for 30 seconds to clean out any debris.
2. Before connecting garden hose to water inlet, inspect inlet screen (A) (Figure 8). Clean screen if it contains debris or have it replaced if damaged. **DO NOT** run power washer if inlet screen is damaged.

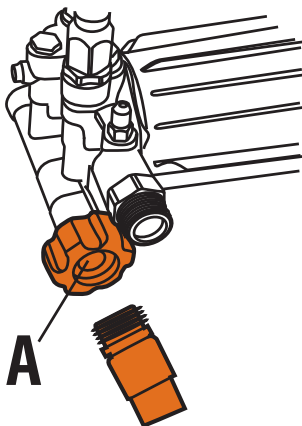
**IMPORTANT:** **DO NOT** siphon standing water for the water supply. Use **ONLY** cold water (less than 100°F). Water supply must be adequate to handle greater than 3.8 gallons per minute and no less than 30 psi.

### NOTE:

**Using a One Way Valve (vacuum breaker or check valve) at pump inlet can cause pump or inlet connector damage.**

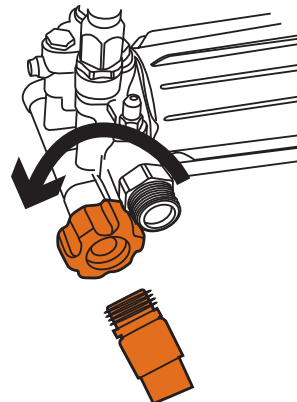
- There **MUST** be at least ten feet of unrestricted garden hose between the power washer inlet and any device, such as a vacuum breaker or check valve.
- Damage to equipment resulting from failure to follow this instruction will void warranty.

**Figure 8 – Inspect Inlet Screen**



3. Connect the garden hose (not to exceed 50 feet in length) to the water inlet (Figure 9). Tighten by hand.

**Figure 9 – Connect Garden Hose**

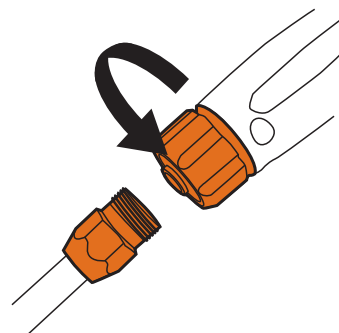


### ⚠ WARNING!

**Risk of eye injury. Spray can splash back or propel objects.**

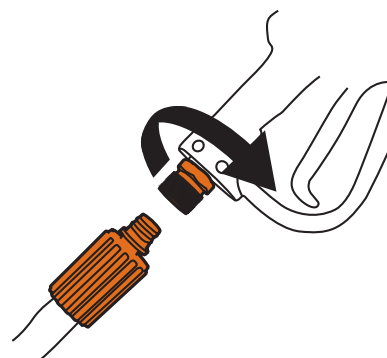
- Always wear safety goggles when using this equipment or in vicinity of equipment in use.
  - Before starting the power washer, be sure you are wearing adequate safety goggles.
  - **NEVER** substitute safety glasses for safety goggles.
4. Connect lance to spray gun (Figure 10). Tighten by hand.

**Figure 10 – Attach Lance**




5. Attach end of high pressure hose to base of spray gun (Figure 11). Tighten by hand.

**Figure 11 – Connect Hose to Spray Gun**



**⚠ DANGER!**

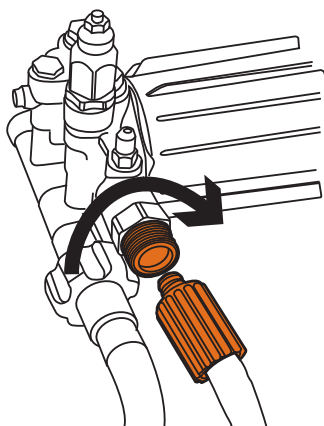
 The high pressure stream of water that this equipment produces can cut through skin and its underlying tissues, leading to serious injury and possible amputation.

- NEVER connect high pressure hose to lance.
  - Keep high pressure hose connected to pump and spray gun while system is pressurized.
  - Always be certain spray gun, nozzles and accessories are correctly attached.
6. Connect high pressure hose to pump (uncoil hose before connecting to pump or spray gun) (Figure 12). Tighten by hand.

**⚠ CAUTION!**

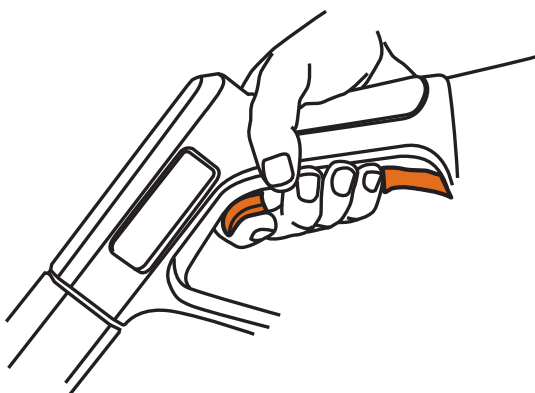
 The hose can be damaged if it comes in contact with a hot engine or muffler.

**Figure 12 – Connect High Pressure Hose to Pump**



7. Turn ON the water, squeeze the trigger to purge the pump system of air (Figure 13).

**Figure 13 – Squeeze Trigger**




**HOW TO USE NOZZLES**

The quick-connect on the nozzle lance allows you to switch between different nozzles. Nozzles can be changed while power washer is running once spray gun trigger is locked in the safety position. The nozzles vary the pressure and spray pattern as shown.

- For most effective cleaning, keep nozzle from 8 to 24 inches (20 to 61 cm) away from cleaning surface.
- If you get nozzle too close, especially using a high pressure nozzle, you may damage surface being cleaned.

**⚠ DANGER!**

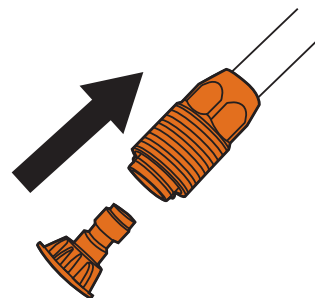
 The high pressure stream of water that this equipment produces can cut through skin and its underlying tissues, leading to serious injury and possible amputation.

- NEVER exchange nozzles without the trigger lock being engaged on the spray gun.
- DO NOT twist nozzles while spraying.

Follow these instructions to change nozzles:

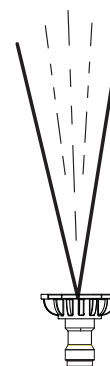
1. Pull back collar on quick-connect and pull current nozzles off. Store nozzles in holder provided on the accessory storage (Figure 14).

**Figure 14 – Nozzles**



2. Select desired nozzle.
3. Pull back on collar, insert new nozzle and release collar. Tug on nozzle to make sure it is securely in place.
  - For delicate rinse (lower pressure and higher flow), for gentle cleaning of cars/trucks, boats, RV's, patio furniture, lawn equipment, etc., select white nozzle (Figure 15).

**Figure 15 – Wash Pressure Nozzle (White)**



## Set-up

- For general rinsing (medium pressure and medium flow), ideal for most all purpose cleaning such as home siding, brick patios, wood decks, driveways and sidewalks, garage floors, etc., select green nozzle (Figure 16).

**Figure 16 – Clean Pressure Nozzle (Green)**



- For medium rinsing (higher pressure and medium flow), ideal for removing stains on hard porous surfaces such as concrete driveways, garage floors and brick patios, select yellow nozzle (Figure 17).

**Figure 17 – Strip Pressure Nozzle (Yellow)**



- For maximum rinsing (higher pressure and lower flow), for stubborn or hard to reach surface such as second story surfaces, paint removal, oil stains, rust removal or other stubborn substances (tar, gum, grease, wax, etc.), select red nozzle (Figure 18).

### ⚠ CAUTION!

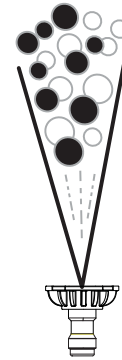
- ⚠ This tip (Red Nozzle) can damage work surface if it is too close or held in one position for an extended time.

**Figure 18 – Blast Pressure Nozzle (Red)**



- When applying detergent, use only the black nozzle (Figure 19). Only use power washer safe detergents/soaps to help break down stubborn dirt and grime on a variety of surfaces.

**Figure 19 – Detergent Nozzle (Black)**



## CLEANING AND APPLYING DETERGENT

### ⚠ CAUTION!

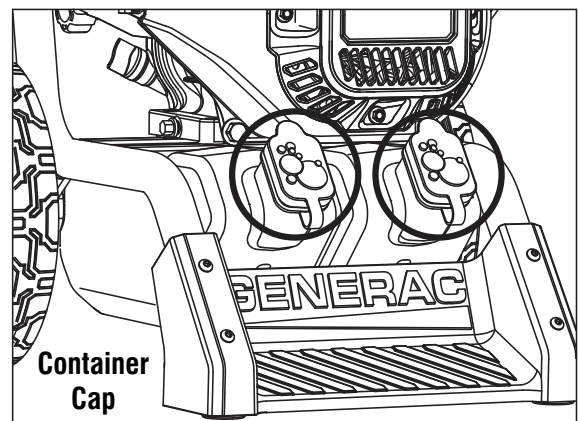
- ⚠ Chemicals can cause bodily injury, and/or property damage.

- NEVER use caustic liquid with power washer.
- Use ONLY power washer safe detergents/soaps. Follow all manufacturer's instructions.

To apply detergent, follow these steps:

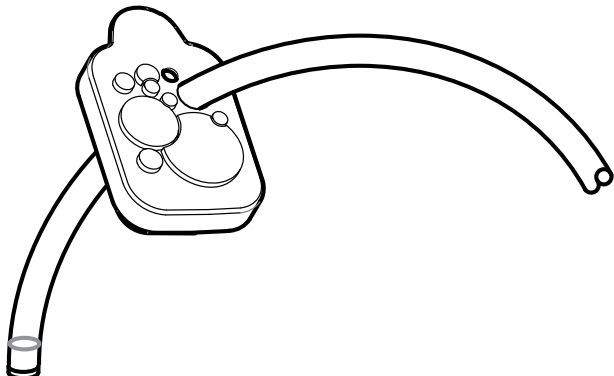
1. Review use of nozzles.
2. Open container cap (if so equipped, Figure 20).
3. Prepare detergent solution as required by job.

**Figure 20 – Chemical Tank & Cover**



4. Depending on model, insert filter on end of siphoning tube through the hole in the loose cap (supplied) (Figure 21).
5. Install cap and siphoning tube onto tank.
6. Make sure siphoning tube remains fully submerged into detergent.

**Figure 21 – Install Siphoning Tube**



**NOTE:**

**Make sure the filter remains fully submerged in detergent while applying detergent.**

**NOTE:**

**Contact with the hot muffler can damage detergent siphoning tube.**

- When inserting the siphon into a detergent solution bottle, route the tube so as to keep it from inadvertently contacting the hot muffler.
7. Make sure black detergent nozzle is installed.

**NOTE:**

**Detergent cannot be applied with the high pressure nozzle (Yellow, White, Green or Red). Only use the Black nozzle with detergent.**

8. Confirm set-up instructions have been followed.

**NOTE:**

**You must attach all hoses before you start the engine.**

- Starting the engine without all the hoses connected and without the water turned ON will damage the pump.
  - Damage to equipment resulting from failure to follow this instruction will void warranty.
9. Start engine following instructions How to Start Your Power Washer.
  10. Apply detergent to a dry surface, starting at lower portion of area to be washed and work upward using long, even, overlapping strokes.
  11. Allow detergent to "soak in" for 3-5 minutes before washing and rinsing. Reapply as needed to prevent surface from drying. **DO NOT** allow detergent to dry on surface being cleaned (prevents streaking).

**IMPORTANT:** You must flush the detergent siphoning system after each use by placing the filter into a bucket of clean water, then run the power washer in low pressure for 1-2 minutes.

## **POWER WASHER RINSING**

1. Remove black detergent nozzle from lance.
2. Select and install desired high pressure nozzle following instructions How to Use Nozzles.
3. Point spray gun in safe direction and away from people, animals and plants. Squeeze trigger to flush any remaining chemical from system.
4. Keep spray gun a safe distance from area you plan to spray.

**▲ WARNING!**



**Kickback from spray gun can cause you to fall.**

- Use only on a level surface.
  - Do not use on elevated surface to prevent the risk of a serious fall.
  - Be extremely careful if you must use the power washer from a ladder, scaffolding, or any other similar location.
  - Firmly grasp spray gun with both hands when using high pressure spray to avoid injury when spray gun kicks back.
5. Apply a high pressure spray to a small area and then check surface for damage. If no damage is found, you can assume it is okay to continue rinsing.
  6. Start at top of area to be rinsed, working down with same overlapping strokes as you used for cleaning.

## **CLEANING DETERGENT SIPHONING TUBE**

If you used the detergent siphoning tube, you must flush it with clean water before stopping the engine.

1. Place detergent siphoning tube/filter in a bucket full of clean water.
2. Remove high pressure nozzle from nozzle extension.
3. Select and install black detergent nozzle following instructions How to Use Nozzles.
4. Flush for 1-2 minutes.
5. Shut off engine following instructions How to Stop Power Washer and turn off water supply.
6. **ALWAYS** point spray gun in a safe direction, squeeze spray gun trigger to release retained high water pressure. Engage trigger lock when not in use.

**IMPORTANT:** Spray gun traps high water pressure, even when engine is stopped and water is disconnected.

**▲ DANGER!**



**The high pressure stream of water that this equipment produces can cut through skin and its underlying tissues, leading to serious injury and possible amputation. Spray gun traps high water pressure, even when engine is stopped and water is disconnected, which can cause injury.**

- Keep high pressure hose connected to pump and spray gun while system is pressurized.
- **ALWAYS** point spray gun in safe direction, and squeeze spray gun trigger to release high pressure, every time you stop engine. Engage trigger lock when not in use.

# Operation

## OPERATION

If you have any problems operating your power washer, please call Generac customer service at 1-888-436-3722.

## POWER WASHER LOCATION

### Clearances and Air Movement

#### **⚠ DANGER!**



Running engine gives off carbon monoxide, an odorless, colorless, poisonous gas. Breathing carbon monoxide can cause headache, fatigue, dizziness, vomiting, confusion, seizures, nausea, fainting or death. For more information, reference the CO warnings in the Safety Rules section.

Place power washer outdoors in an area that will not accumulate deadly exhaust gas. NEVER place power washer where exhaust gas could accumulate and enter inside or be drawn into a potentially occupied building. Ensure exhaust gas is kept away from any windows, doors, ventilation intakes, or other openings that can allow exhaust gas to collect in a confined area. Prevailing winds and air currents should be taken into consideration when positioning power washer (Figure 22).

- Operate power washer ONLY outdoors.
- Keep exhaust gas from entering a confined area through windows, doors, ventilation intakes, or other openings.
- NEVER start or run engine indoors, in a vehicle or in an enclosed area, EVEN IF windows and doors are open.

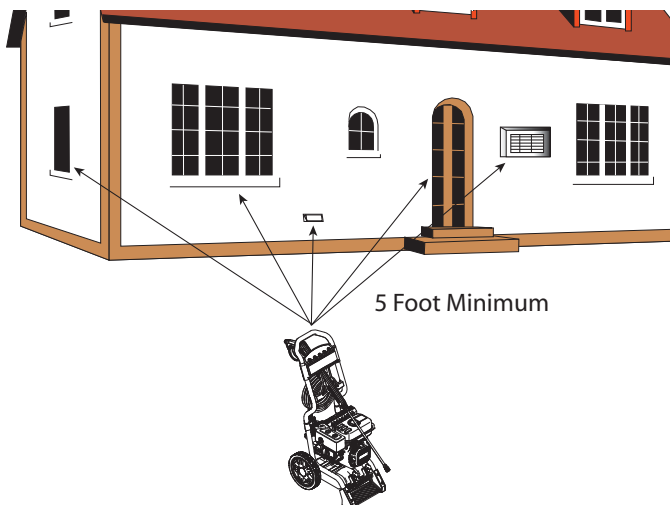
#### **⚠ WARNING!**



Exhaust heat/gases can ignite combustibles, structures or damage fuel tank causing a fire.

- Keep at least 5 ft. (152 cm) clearance on all sides of power washer including overhead.

**Figure 22 – Building Clearances**



## CHECKLIST BEFORE STARTING ENGINE

1. Be sure to read and understand the Operator Safety section and Operation section before using power washer.
2. Check that oil is at the proper level in the engine crankcase and that fuel has been added to the fuel tank.
3. Review the unit's assembly and ensure fittings are properly secured and make sure there are no kinks, cuts, or damage to high pressure hose.
4. Provide a proper water supply at an adequate flow, clear screens of debris, and confirm that the system is purged of air.
5. Confirm unit is secure on level ground and surrounding work area is clear.

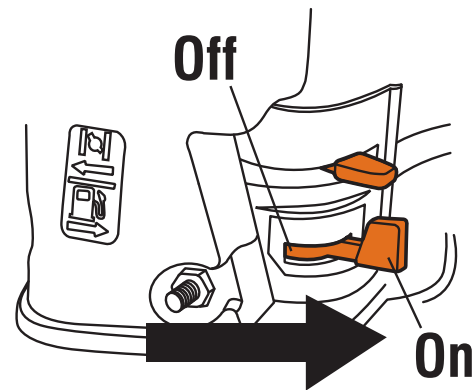
## HOW TO START YOUR POWER WASHER

### NOTE:

**DO NOT run the pump without the water supply connected and turned on. Damage to equipment resulting from failure to follow this instruction will void warranty.**

1. Move the fuel valve lever to the ON position (Figure 23).

**Figure 23 – Fuel Valve**

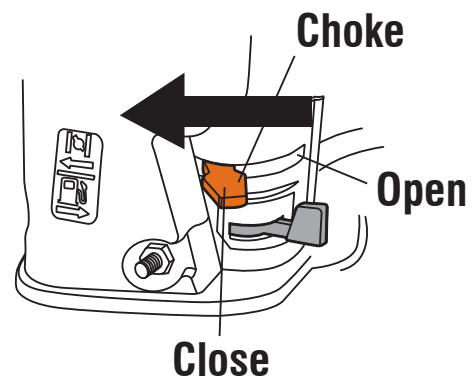


2. Move choke lever to "CLOSE" position (Figure 24).

### NOTE:

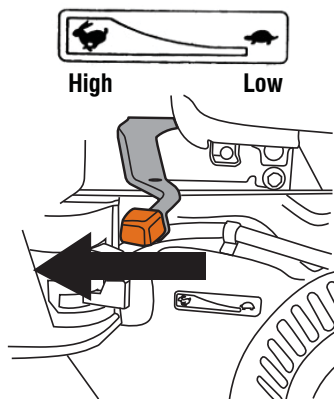
**For a warm engine, be sure the choke lever is in the "OPEN" position.**

**Figure 24 – Choke Lever**



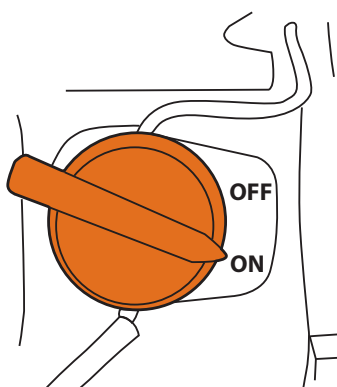
3. Move throttle control lever to "HIGH" position, shown on engine as a rabbit (Figure 25).

**Figure 25 – Throttle Control**



4. Turn the engine switch to the "ON" position (Figure 26).

**Figure 26 – The ON Position**



**IMPORTANT:** Before starting the power washer, be sure you are wearing adequate safety goggles.

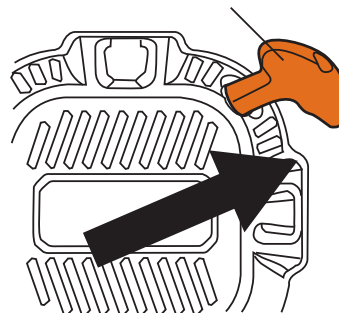
**⚠ WARNING!**

**Risk of eye injury. Spray can splash back or propel objects.**

- Always wear safety goggles when using this equipment or in vicinity of equipment in use.
  - Before starting the power washer, be sure you are wearing adequate safety goggles.
  - NEVER substitute safety glasses for safety goggles.
5. Place foot on footpad or otherwise secure unit from movement when pulling recoil.
  6. When starting the engine, grasp starter grip handle (Figure 27) and pull slowly until you feel some resistance. Then pull rapidly to start engine.

**Figure 27 – Starting the Engine**

**Starter Handle**

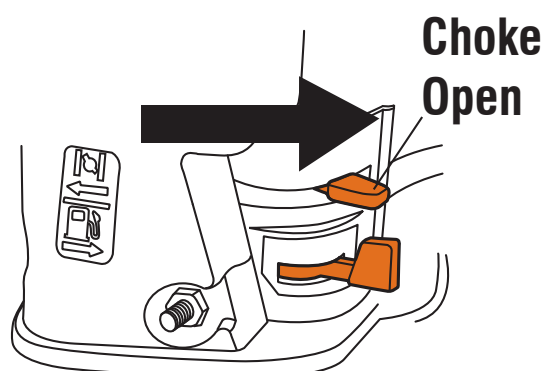


**⚠ WARNING!**

**Starter cord kickback (rapid retraction) can result in bodily injury. Kickback will pull hand and arm toward engine faster than you can let go. Broken bones, fractures, bruises, or sprains could result.**

- NEVER pull starter cord without first relieving spray gun pressure.
  - When starting engine, pull cord slowly until resistance is felt and then pull rapidly to avoid kickback.
  - After each starting attempt, where engine fails to run, always point spray gun in safe direction and squeeze spray gun trigger to release high pressure.
  - Firmly grasp spray gun with both hands when using high pressure spray to avoid injury when spray gun kicks back.
7. Return starter grip handle slowly. DO NOT let rope "snap back" against starter.
  8. When engine starts, slowly move choke lever to "OPEN" position as engine warms. If engine falters, move choke lever to "CLOSE" position, then to "OPEN" position (Figure 28).

**Figure 28 – Choke Lever**



9. After each starting attempt, where engine fails to run, always point gun in safe direction, and squeeze spray gun trigger to release high pressure.
10. If engine fails to start after six pulls, move choke lever to "OPEN" position, and repeat steps 6 through 10.

## **⚠ DANGER!**



The high pressure stream of water that this equipment produces can cut through skin and its underlying tissues, leading to serious injury and possible amputation. Spray gun traps high water pressure, even when engine is stopped and water is disconnected, which can cause injury.

- DO NOT allow CHILDREN to operate power washer or play nearby.
- Keep high pressure hose connected to pump and spray gun while system is pressurized.
- NEVER aim spray gun at people, animals or electrical devices. Serious injury will result.
- DO NOT secure spray gun in open position.
- DO NOT leave spray gun unattended while machine is running.
- NEVER use a spray gun which does not have a trigger lock or trigger guard in place and in working order.
- Always be certain spray gun, nozzles and accessories are correctly attached.

## **⚠ WARNING!**



Contact with muffler area can result in serious burns. Exhaust heat/gases can ignite combustibles, structures or damage fuel tank causing a fire.

- DO NOT touch hot parts and AVOID hot exhaust gases.
- Allow equipment to cool before touching.
- Keep at least 5 feet (152 cm) of clearance on all sides of power washer including overhead.
- It is a violation of California Public Resource Code, Section 4442, to use or operate the engine on any forest-covered, brush-covered, or grass-covered land unless the exhaust system is equipped with a spark arrester, as defined in Section 4442, maintained in effective working order. Other states or federal jurisdictions may have similar laws.
- Replacement parts must be the same and installed in the same position as the original parts.

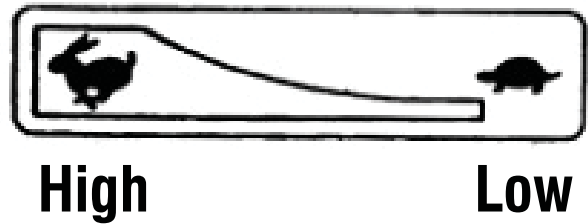
## **AUTOMATIC COOL DOWN SYSTEM (THERMAL RELIEF)**

If you run the engine on your power washer for 3-5 minutes without pressing the trigger on the spray gun, circulating water in the pump can reach temperatures above 125°F. The system engages to cool the pump by **discharging the warm water onto the ground.**

## **HOW TO STOP YOUR POWER WASHER**

1. Release spray gun trigger.
2. Move throttle control lever on engine to "LOW" (turtle) position (Figure 29).
3. Turn the engine ON/OFF switch to the "OFF" position.
4. ALWAYS point spray gun in a safe direction, and squeeze spray gun trigger to release retained high water pressure. Engage trigger lock when not in use.
5. Turn OFF water supply.

Figure 29 – Throttle Position



**IMPORTANT:** Spray gun traps high water pressure, even when engine is stopped and water is disconnected.

## **⚠ DANGER!**



The high pressure stream of water that this equipment produces can cut through skin and its underlying tissues, leading to serious injury and possible amputation. Spray gun traps high water pressure, even when engine is stopped and water is disconnected, which can cause injury.

- Keep high pressure hose connected to pump and spray gun while system is pressurized.
- ALWAYS point spray gun in safe direction, squeeze spray gun trigger to release high pressure, every time you stop engine. Engage trigger lock when not in use.

## **MAINTENANCE RECOMMENDATIONS**

Regular maintenance will improve the performance and extend the life of the power washer. See any qualified dealer for service.

The power washer's warranty does not cover items that have been subjected to operator abuse or negligence. To receive full value from the warranty, the operator must maintain the power washer as instructed in this manual, including proper storage as detailed in Winter Storage and Long Term Storage.

### **NOTE:**

**Should you have questions about replacing components on your power washer, please call 1-888-436-3722 for assistance.**

Some adjustments will need to be made periodically to properly maintain your power washer.

All service and adjustments should be made at least once each season. Follow the requirements in the Maintenance Schedule chart.

### **NOTE:**

**Once a year you should clean or replace the spark plug, clean or replace the air filter, and check the spray gun and nozzle extension assembly for wear. A new spark plug and clean air filter assure proper fuel-air mixture and help your engine run better and last longer.**



## MAINTENANCE SCHEDULE

Follow the hourly or calendar intervals, whichever occurs first. More frequent service is required when operating in adverse conditions.

First 5 Hours
Change engine oil
Every 8 Hours or Daily
Check/clean water inlet screen*
Check high pressure hose
Check detergent siphoning hose/filter
Check spray gun and assembly for leaks
Clean debris
Check engine oil level
Every 20 Hours or Every Season
Change engine oil**
Every 50 Hours or Every Season
Check/clean air cleaner filter**
Inspect muffler and spark arrester*
Every 100 Hours or Every Season
Service spark plug
* Clean if clogged. Replace if perforated or torn.
** Service more often under dirty or dusty conditions.

## PUMP OIL

DO NOT attempt any oil maintenance on this pump. The pump is pre-lubricated and sealed from the factory, requiring no additional maintenance for the life of the pump.

## EMISSIONS CONTROL

**Maintenance, replacement, or repair of the emissions control devices and systems may be performed by any non-road engine repair establishment or individual.** However, to obtain "no charge" emissions control service, the work must be performed by a factory authorized dealer. See the Emissions Warranty.

## POWER WASHER MAINTENANCE

### Clean Debris

Daily or before use, clean accumulated debris from cleaning system. Keep linkage, spring and controls clean. Keep area around and behind muffler free from any combustible debris. Inspect cooling air slots and openings on the power washer. These openings must be kept clean and unobstructed.

Power washer parts should be kept clean to reduce the risk of overheating and ignition of accumulated debris.

- Use a damp cloth to wipe exterior surfaces clean.

### NOTE:

**Improper treatment of power washer can damage it and shorten its life.**

- DO NOT insert any objects through cooling slots.
- Use a soft bristle brush to loosen caked on dirt, oil, etc.
- Use a vacuum cleaner to pick up loose dirt and debris.

## CHECK AND CLEAN INLET SCREEN

Examine the screen on the pump's water inlet. Clean it if the screen is clogged or replace it if screen is damaged.

## CHECK HIGH PRESSURE HOSES

The high pressure hoses can develop leaks from wear, kinking, or abuse. Inspect the hoses each time before using them. Check for cuts, leaks, abrasions or bulging of cover, damage or movement of couplings. If any of these conditions exist, replace the hose immediately.

### **⚠ DANGER!**



**The high pressure stream of water that this equipment produces can cut through skin and its underlying tissues, leading to serious injury and possible amputation.**

- NEVER repair high pressure hose. Replace it.
- Replacement hose rating MUST meet or exceed maximum pressure rating of unit.

## CHECK DETERGENT SIPHONING TUBE

Examine the filter on the detergent tube and clean if clogged. The tube should fit tightly on the barbed fitting. Examine the tube for leaks or tears. Replace the filter or tube if either is damaged.

## CHECK SPRAY GUN

Examine the hose connection to the spray gun and make sure it is secure. Test the trigger by pressing the trigger, it "springs back" into place when you release it. Replace spray gun immediately if it fails to "spring back".

## NOZZLE MAINTENANCE

A pulsing sensation felt while squeezing the spray gun trigger may be caused by excessive pump pressure. The principal cause of excessive pump pressure is a nozzle clogged or restricted with foreign materials, such as dirt, etc. To correct the problem, immediately clean the nozzle following these instructions:

1. Shut off engine and turn off water supply.
2. ALWAYS point spray gun in a safe direction, squeeze spray gun trigger to release retained high water pressure.

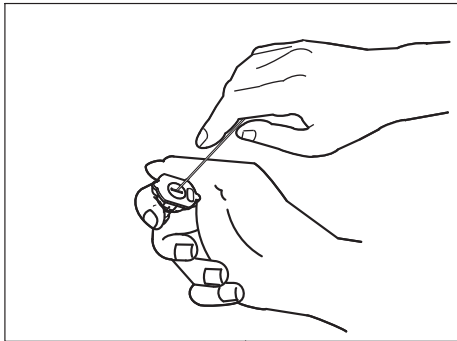
## ⚠ DANGER!



The high pressure stream of water that this equipment produces can cut through skin and its underlying tissues, leading to serious injury and possible amputation. Spray gun traps high water pressure, even when engine is stopped and water is disconnected, which can cause injury.

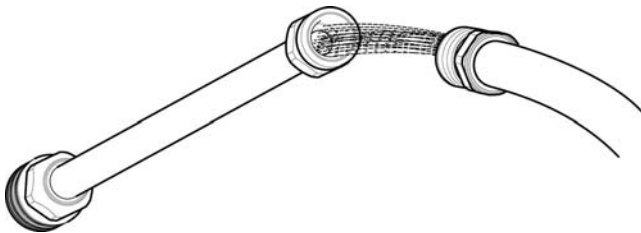
- Keep high pressure hose connected to pump and spray gun while system is pressurized.
  - ALWAYS point spray gun in safe direction, and squeeze spray gun trigger to release high pressure every time you stop engine. Engage trigger lock when not in use.
3. Remove nozzle from end of nozzle extension.
  4. Use a small paper clip to free any foreign material clogging or restricting nozzle (Figure 30).

**Figure 30 – Free Foreign Material**



5. Remove lance from spray gun.
6. Using a garden hose, remove additional debris by back flushing water through lance (Figure 31). Back flush between 30 to 60 seconds.
7. Reinstall nozzle into lance.
8. Reconnect lance to spray gun.

**Figure 31 – Back Flush Lance**



9. Make sure garden hose is connected to pump water inlet. Check that high pressure hose is connected to spray gun and pump. Turn on water.
10. Start engine following instructions How to Start Your Power Washer.
11. Test power washer by operating with each quick connect nozzle.

## ENGINE MAINTENANCE

### ⚠ WARNING!



Unintentional sparking can result in fire or electric shock.

### WHEN ADJUSTING OR MAKING REPAIRS TO YOUR POWER WASHER

- Disconnect the spark plug wire from the spark plug and place the wire where it cannot contact spark plug.

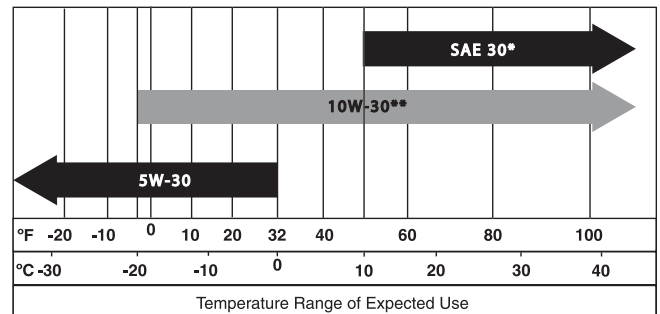
### WHEN TESTING FOR ENGINE SPARK

- Use approved spark plug tester.
- DO NOT check for spark with spark plug removed.

## ENGINE OIL RECOMMENDATIONS

We recommend the use of high-quality detergent oils acceptable if classified for service SF, SG, SH, SJ or higher. DO NOT use special additives.

Outdoor temperatures determine the proper oil viscosity for the engine. Use the chart to select the best viscosity for the outdoor temperature range expected.



\* Below 50°F (10°C) the use of SAE 30 will result in hard starting.

\*\* Above 80°F (27°C) the use of 10W30 may cause increased oil consumption. Check oil level more frequently.

### NOTE:

Synthetic oil meeting ILSAC GF-2, API certification mark and API service symbol with "SJ/CF ENERGY CONSERVING" or higher, is an acceptable oil at all temperatures. Use of synthetic oil does not alter required oil change intervals.

### NOTE:

The engine is equipped with an "Oil Alert System". This system will automatically stop the engine before the oil level falls below a safe limit. To avoid the inconvenience of an unexpected shutdown, always check the engine oil level before startup.

## CHECK OIL LEVEL

Oil level should be checked prior to each use or at least every 8 hours of operation. Keep oil level maintained.

1. Make sure power washer is on a level surface.
2. Clean area around oil fill and wipe dipstick clean remove oil fill cap (Figure 32).
3. Verify oil is at the proper level on the dipstick.
4. Insert the dipstick into filler neck but do not screw it in.
5. Replace and tighten oil fill cap.

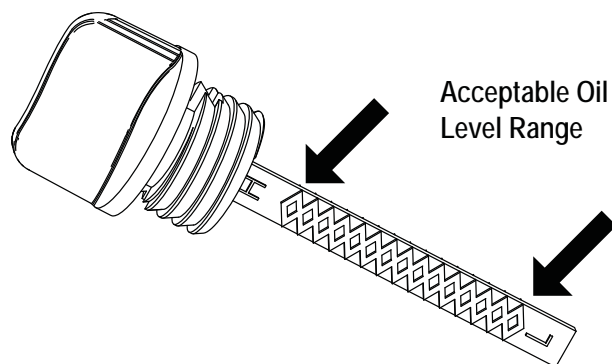
**Figure 32 – Fill Engine Oil**



## ADDING ENGINE OIL

1. Make sure power washer is on a flat, level surface.
2. Check oil level as described in Checking Oil Level.
3. If needed, slowly pour oil into oil fill opening until the proper level on the dipstick is reached.
4. Insert the dipstick into filler neck but do not screw it in.
5. If level is low, fill until the oil level is between "L" and "H" on the dipstick (Figure 33).
6. Replace and tighten oil fill cap.

**Figure33 – Dipstick**



## CHANGING ENGINE OIL

If you are using your power washer under extremely dirty or dusty conditions, or in extremely hot weather, change the oil more often.

### ⚠ CAUTION!

#### ⚠ Avoid prolonged or repeated skin contact with used motor oil.

- Used motor oil has been shown to cause skin cancer in certain laboratory animals.
- Thoroughly wash exposed areas with soap and water.

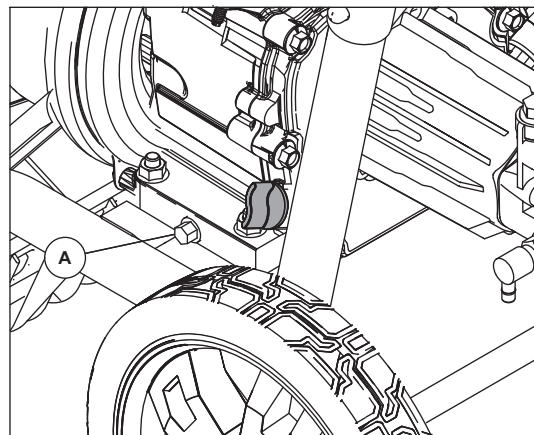
#### ⚠ KEEP OUT OF REACH OF CHILDREN.

- Don't pollute. Conserve resources. Return used oil to collection centers.

Change oil while engine is still warm from running, as follows:

1. Make sure unit is on a level surface.
2. Disconnect the spark plug wire from the spark plug and place the wire where it cannot contact spark plug.
3. Clean area around oil drain plug (A) (Figure 34). The oil drain plug is located at base of engine, opposite carburetor.
4. Remove oil fill cap (Figure 32).
5. Remove oil drain plug and drain oil completely into a suitable container.
6. Reinstall oil drain plug and tighten securely.
7. Slowly pour oil (about 20 oz.) into oil fill opening to the proper level on the dipstick. **DO NOT** overfill.
8. Reinstall oil fill cap. Finger tighten cap securely.
9. Wipe up any spilled oil.
10. Properly dispose of oil in an accordance with all local regulations.

**Figure 34 – Oil Drain Plug**



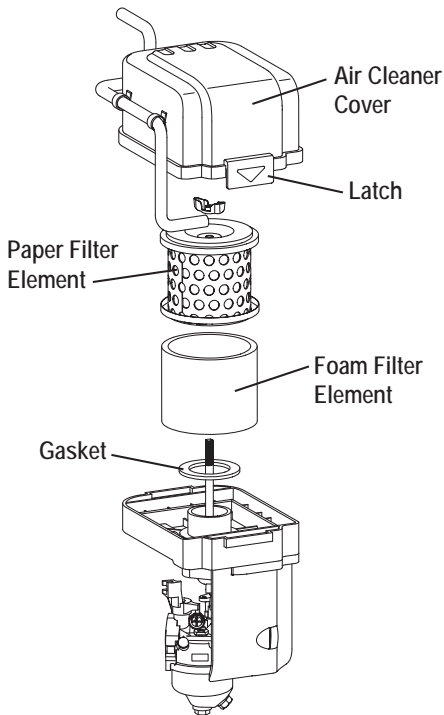
## SERVICE AIR CLEANER

Your engine will not run properly and may be damaged if you run it with a dirty air cleaner. Service more often if operating under dirty or dusty conditions.

To service the air cleaner, follow these steps:

1. Pull on air cleaner cover latch and remove cover (Figure 35).
2. Loosen wing nut.
3. Carefully remove filter assembly.
4. Remove foam filter.
5. To clean cartridge, gently tap on a flat surface.
6. Reinstall foam filter.
7. Reinstall clean or new cartridge assembly.
8. Reinstall wing nut and tighten.
9. Install cover by snapping latch closed.

**Figure 35 – Service the Air Cleaner**

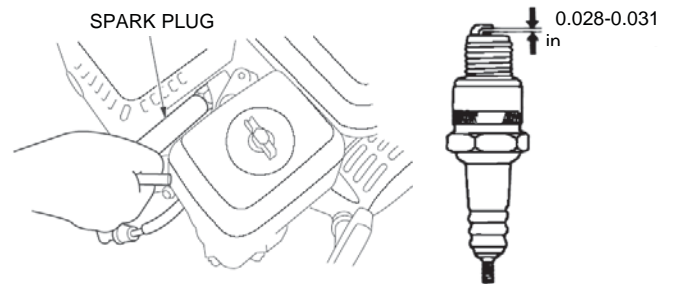


## SERVICE SPARK PLUG

Changing the spark plug will help your engine to start easier and run better.

1. Clean area around spark plug.
2. Remove and inspect spark plug (Figure 36).
3. Check electrode gap with wire feeler gauge and reset spark plug gap to recommended gap if necessary (see Specifications).
4. Replace spark plug if electrodes are pitted, burned or porcelain is cracked. Use the recommended replacement plug. See Specifications.
5. Install spark plug and tighten firmly.

**Figure 36 – Change the Spark Plug**



## INSPECT MUFFLER AND SPARK ARRESTER

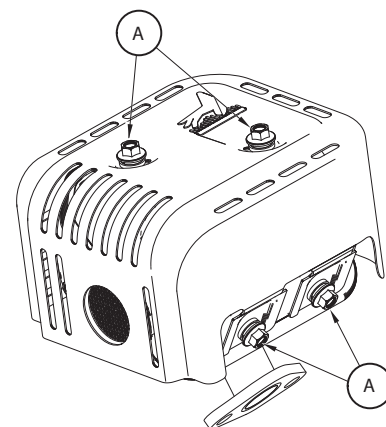
Inspect the muffler for cracks, corrosion, or other damage. Remove the spark arrester, if equipped, and inspect for damage or carbon blockage. If replacement parts are required, make sure to use only original equipment replacement parts.

## REMOVE SPARK ARRESTER SCREEN

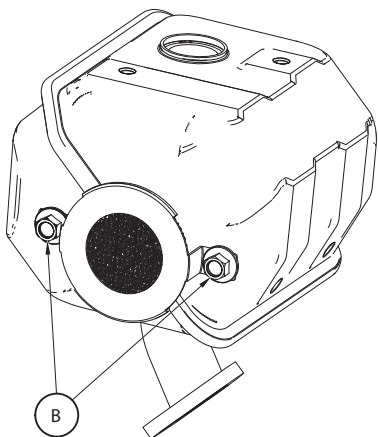
Tools Required: 8mm Box Wrench

1. Remove heat shield from the muffler by loosening the four (4) Bolts (A) (Figure 37).
2. Remove the spark arrester from the muffler by loosening the two (2) Bolts (B) (Figure 38).
3. Inspect the spark arrester, replace if torn, perforated or otherwise damaged (part number 0K1851). DO NOT USE A DEFECTIVE SCREEN.
4. If screen is not damaged, clean it with a commercial solvent and replace.

**Figure 37 – Remove Heat Shield**



**Figure 38 – Remove Spark Arrester**



**⚠ WARNING!**



Contact with muffler area can result in serious burns. Exhaust heat/gases can ignite combustibles, structures or damage fuel tank causing a fire.

- DO NOT touch hot parts and AVOID hot exhaust gases.
  - Allow equipment to cool before touching.
  - Keep at least 5 feet (152 cm) of clearance on all sides of power washer including overhead.
  - It is a violation of California Public Resource Code, Section 4442, to use or operate the engine on any forest-covered, brush-covered, or grass-covered land unless the exhaust system is equipped with a spark arrester, as defined in Section 4442, maintained in effective working order. Other states or federal jurisdictions may have similar laws.
- Contact the original equipment manufacturer, retailer, or dealer to obtain a spark arrester designed for the exhaust system installed on this engine.
- Replacement parts must be the same and installed in the same position as the original parts.

## AFTER EACH USE

Water should not remain in the unit for long periods of time. Sediments or minerals can deposit on pump parts and freeze pump action. Follow these procedures after every use:

1. Shut off engine, turn off water supply, point gun in a safe direction, and squeeze trigger to relieve trapped pressure, and let engine cool.

**⚠ DANGER!**



The high pressure stream of water that this equipment produces can cut through skin and its underlying tissues, leading to serious injury and possible amputation. Spray gun traps high water pressure, even when engine is stopped and water is disconnected, which can cause injury.

- Keep high pressure hose connected to pump and spray gun while system is pressurized.

- ALWAYS point spray gun in safe direction and squeeze spray gun trigger, to release high pressure, every time you stop engine. Engage trigger lock when not in use.
2. Disconnect hoses from spray gun and high pressure outlet on pump. Drain water from hoses, spray gun, and lance. Use a rag to wipe off the hose.
  3. Empty pump of all pumped liquids. Check that the engine ON/OFF switch and fuel valve are in the OFF position. Then pull the recoil handle about six times. This should remove most liquid in pump.
  4. Store unit in a clean, dry area.
  5. If storing for more than 30 days, see the Long Term Storage section.

**⚠ WARNING!**



Fuel and its vapors are extremely flammable and explosive. Fire or explosion can cause severe burns or death.

### WHEN STORING FUEL OR EQUIPMENT WITH FUEL IN TANK

- Store away from furnaces, stoves, water heaters, clothes dryers, or other appliances that have pilot light or other ignition source because they can ignite fuel vapors.

## WINTER STORAGE

**NOTE:**

You must protect your unit from freezing temperatures.

- Failure to do so will permanently damage your pump and render your unit inoperable.
- Freeze damage is not covered under warranty.

To protect the unit from freezing temperatures:

1. Follow steps 1-3 in the previous section After Each Use.
2. Use pump saver to treat pump. This minimizes freeze damage and lubricates pistons and seals.
3. If pump saver is not available, connect a 3-foot section of garden hose to water inlet adapter. Pour RV-antifreeze (antifreeze without alcohol) into hose. Pull recoil handle twice. Disconnect 3-foot hose.
4. Store unit in a clean, dry area.

## LONG TERM STORAGE

If you do not plan to use the power washer for more than 30 days, you must prepare the engine and pump for long term storage.

### PROTECT FUEL SYSTEM

Fuel can become stale when stored over 30 days. Stale fuel causes acid and gum deposits to form in the fuel system or on essential carburetor parts. To keep fuel fresh, use a fuel stabilizer, available as a liquid additive or a drip concentrate cartridge.

There is no need to drain gasoline from the engine if a fuel stabilizer is added according to instructions. Run the engine for 2 minutes to circulate the stabilizer throughout the fuel system. The engine and fuel can then be stored up to 24 months.

If gasoline in the engine has not been treated with a fuel stabilizer, it must be drained into an approved container. Run the engine until it stops from lack of fuel. The use of a fuel stabilizer in the storage container is recommended to maintain freshness.

### PROTECT ENGINE

1. Change engine oil.
2. Remove spark plug.
3. Pour a tablespoon (5-10cc) of clean engine oil into the cylinder.
4. Pull the starter rope several times to distribute the oil in the cylinder.
5. Reinstall the spark plug.
6. Pull the starter rope slowly until resistance is felt. This will close the valves so moisture cannot enter the engine cylinder. Return the starter rope gently.

### CHANGE OIL

While engine is still warm, drain oil from crankcase. Refill with recommended grade. See Changing Engine Oil in Engine Maintenance.

### ⚠ CAUTION!

 **Hot oil may cause burns. Allow engine to cool before draining oil. Avoid prolonged or repeated skin exposure with used oil. Thoroughly wash exposed areas with soap.**

### PROTECTING THE PUMP

To protect the pump from damage caused by mineral deposits or freezing, use PumpSaver or RV-antifreeze to treat the pump. This prevents freeze damage and lubricates pistons and seals.

- Failure to do so will permanently damage your pump and render your unit inoperable.
- Freeze damage is not covered under warranty.

To protect the unit from freezing temperatures:

1. Follow steps 1-3 in the previous section After Each Use.
2. Use pump saver to treat pump. This minimizes freeze damage and lubricates pistons and seals.
3. If pump saver is not available, connect a 3-foot section of garden hose to water inlet adapter. Pour RV-antifreeze (antifreeze without alcohol) into hose. Pull recoil handle twice. Disconnect 3-foot hose.
4. Store unit in a clean, dry area.

### OTHER STORAGE INSTRUCTIONS

1. DO NOT store fuel from one season to another unless it has been treated as described in Protect Fuel System.
2. Replace fuel container if it starts to rust. Rust and/or dirt in fuel can cause problems if it's used with this unit.
3. Cover unit with a suitable protective cover that does not retain moisture.

### ⚠ WARNING!



#### Storage covers can be flammable.

- DO NOT place a storage cover over a hot power washer.
- Let equipment cool for a sufficient time before placing the cover on the equipment.

4. Store unit in a clean and dry area.

### TRANSPORTING/TIPPING OF THE UNIT

Do not operate, store or transport the unit at an angle greater than 15 degrees.

## TROUBLESHOOTING GUIDE

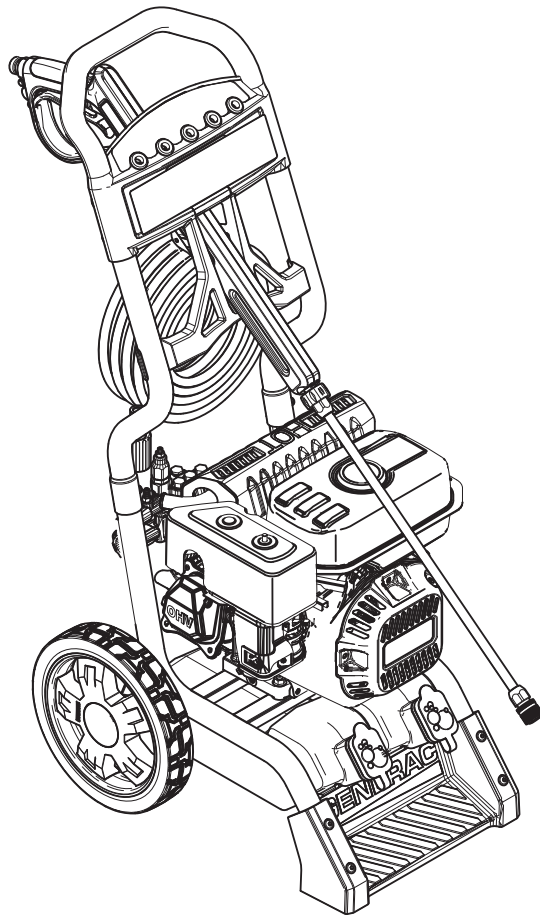
PROBLEM	CAUSE	CORRECTION
<b>Pump has following problems: failure to produce pressure, erratic pressure, chattering, loss of pressure, low water volume.</b>	<ol style="list-style-type: none"> <li>1. Low pressure nozzle installed.</li> <li>2. Water inlet is blocked.</li> <li>3. Inadequate water supply.</li> <li>4. Inlet hose is kinked or leaking.</li> <li>5. Clogged inlet hose screen.</li> <li>6. Water supply is over 100°F.</li> <li>7. High pressure hose is blocked or leaks.</li> <li>8. Spray gun leaks.</li> <li>9. Nozzle is obstructed.</li> <li>10. Pump is faulty.</li> </ol>	<ol style="list-style-type: none"> <li>1. Replace with high pressure nozzle.</li> <li>2. Clear inlet.</li> <li>3. Provide adequate water flow.</li> <li>4. Straighten inlet hose, patch leak.</li> <li>5. Check and clean inlet hose screen.</li> <li>6. Provide cooler water supply.</li> <li>7. Clear blocks in outlet hose or replace hose.</li> <li>8. Replace spray gun.</li> <li>9. Clean nozzle.</li> <li>10. Contact local service facility.</li> </ol>
<b>Detergent fails to mix with spray.</b>	<ol style="list-style-type: none"> <li>1. Detergent siphoning tube is not submerged.</li> <li>2. Detergent siphoning tube/filter is clogged or cracked.</li> <li>3. High pressure nozzle installed.</li> </ol>	<ol style="list-style-type: none"> <li>1. Insert detergent siphoning tube into detergent.</li> <li>2. Clean or replace filter/detergent siphoning tube.</li> <li>3. Replace with low pressure nozzle.</li> </ol>
<b>Engine runs well at no-load but "bogs" when load is added.</b>	<ol style="list-style-type: none"> <li>1. Engine speed is too slow.</li> </ol>	<ol style="list-style-type: none"> <li>1. Move throttle control to FAST position. If engine still "bogs down", contact local service facility.</li> </ol>
<b>Engine will not start; or starts and runs rough.</b>	<ol style="list-style-type: none"> <li>1. Low oil level, "Oil Alert System".</li> <li>2. Dirty air cleaner.</li> <li>3. Out of fuel.</li> <li>4. Stale fuel.</li> <li>5. Spark plug wire not connected to spark plug.</li> <li>6. Bad spark plug.</li> <li>7. Water in fuel.</li> <li>8. Excessively rich fuel mixture.</li> </ol>	<ol style="list-style-type: none"> <li>1. Fill crankcase to proper level.</li> <li>2. Clean or replace air cleaner.</li> <li>3. Fill fuel tank.</li> <li>4. Drain fuel tank; fill with fresh fuel.</li> <li>5. Connect wire to spark plug.</li> <li>6. Replace spark plug.</li> <li>7. Drain fuel tank; fill with fresh fuel.</li> <li>8. Contact local service facility.</li> </ol>
<b>Engine shuts down during operation.</b>	<ol style="list-style-type: none"> <li>1. Out of fuel.</li> </ol>	<ol style="list-style-type: none"> <li>1. Fill fuel tank.</li> </ol>
<b>Engine lacks power.</b>	<ol style="list-style-type: none"> <li>1. Dirty air filter.</li> </ol>	<ol style="list-style-type: none"> <li>1. Replace air filter.</li> </ol>





# Manual del Propietario

## Hidrolavadora



# Contenido

<b>Introducción .....</b>	<b>25</b>	<b>Mantenimiento .....</b>	<b>39</b>
Dónde nos encuentran .....	25	Recomendaciones de mantenimiento .....	39
<b>Reglas de Seguridad .....</b>	<b>25</b>	Conograma de mantenimiento .....	39
Símbolos de seguridad y su significado .....	25	Bomba de aceite .....	39
<b>Información general.....</b>	<b>28</b>	Control de emisiones .....	39
Conozca su hidrolavadora .....	28	Mantenimiento de la hidrolavadora .....	39
Artículos que no se muestran.....	28	Verifique el estado y limpie el filtro de la toma .....	39
Especificaciones del producto .....	29	Verifique el estado de las mangueras de alta presión .....	39
Información sobre emisiones .....	29	Verifique el estado del tubo de descarga de detergente.....	40
Funcionamiento a gran altitud.....	29	Verifique el estado de la pistola rociadora.....	40
Desempaque.....	30	Mantenimiento de la boquilla.....	40
<b>Ensamblar .....</b>	<b>30</b>	Mantenimiento del motor.....	40
Ensamblar.....	30	Recomendaciones sobre el aceite del motor.....	40
Agregue aceite para motor .....	31	Verificación del nivel de aceite .....	41
Agregado de combustible.....	31	Cómo agregar aceite al motor .....	41
Conecte la manguera y el suministro de agua a la bomba .....	32	Cambio del aceite de motor.....	41
Cómo usar las boquillas.....	33	Servicio del filtro de aire.....	42
Limpieza y aplicación de detergente .....	34	Servicio a la bujía .....	42
Enjuague de la hidrolavadora.....	35	Inspección del silenciador y del supresor de chispas .....	42
Limpieza del tubo de descarga de detergente .....	35	Retire el tamiz del supresor de chispas.....	42
<b>Operación .....</b>	<b>36</b>	Luego de cada uso .....	43
Operación .....	36	Almacenamiento en invierno .....	43
Localización de la hidrolavadora.....	36	Almacenamiento a largo plazo.....	44
Lista de verificación antes de encender el motor .....	36	Protección del sistema de combustible.....	44
Cómo arrancar su hidrolavadora .....	36	Protección del motor.....	44
Sistema de enfriamiento automático (alivio térmico).....	38	Cambio de aceite .....	44
Cómo apagar su hidrolavadora.....	38	Protección de la bomba.....	44
		Otras condiciones de almacenamiento .....	44
		Transporte e inclinación de la unidad .....	44
		<b>Localización y corrección de fallas .....</b>	<b>45</b>
		Guía de localización y corrección de fallas .....	45

## INTRODUCCIÓN

Gracias por comprar esta hidrolavadora fabricada por Generac Power Systems, Inc. Este modelo es una hidrolavadora impulsada por motor enfriada por aire, de alto rendimiento que opera entre 2500 y 3100 psi, dependiendo de qué modelo haya comprado. Las unidades cuentan con ruedas diseñadas a medida, bomba de excéntrica axial con pistones de acero inoxidable, sistema automático de enfriamiento, boquillas de conexión rápida, manguera de alta presión, manguera de succión de detergente y tanque(s) para sustancias químicas, dependiendo del modelo de la unidad.

**El sentido común y el cumplimiento estricto de estas instrucciones especiales son esenciales para prevenir accidentes.** El operador debe leer este manual y entender en detalle todas las instrucciones y advertencias antes de usar el equipo. Si cualquier parte de este manual no se entiende, contacte al Distribuidor Autorizado más cercano para obtener información sobre los procedimientos de arranque, operación y mantenimiento. El operador es responsable del uso apropiado y seguro del equipo.

La hidrolavadora puede operar de forma segura, eficiente y confiable solamente si se sitúa, opera y mantiene correctamente. Antes de operar, usar o guardar:

- Estudie cuidadosamente todas las advertencias de seguridad en este manual y en el producto.
- Familiarícese con este manual y con la unidad antes de usarla.
- Consulte la sección Montaje de este manual para obtener instrucciones acerca de los procedimientos de montaje. Siga todas las instrucciones.

El fabricante no puede anticipar cada circunstancia posible que pueda implicar un riesgo. Las advertencias en este manual, y en las etiquetas y calcomanías en la unidad son, por lo tanto, no exhaustivas. Si usa un procedimiento, método de trabajo o técnica de operación que el fabricante no recomiende específicamente, asegúrese de que es seguro para otros. También asegúrese de que el procedimiento, método de trabajo o técnica de operación utilizada no haga que la hidrolavadora sea insegura.

LA INFORMACIÓN INCLUIDA EN EL PRESENTE SE BASA EN LAS MÁQUINAS EN PRODUCCIÓN A LA HORA DE LA PUBLICACIÓN. GENERAC SE RESERVA EL DERECHO DE MODIFICAR ESTE MANUAL EN CUALQUIER MOMENTO.

**Conserve estas instrucciones para futuras referencias. Si presta este dispositivo a alguien, siempre entregue también a la persona estas instrucciones y el Manual del Propietario.**

## DÓNDE NOS ENCUENTRAN

Puede comunicarse con el Servicio al Cliente de Generac al 1-888-436-3722, o en Internet en [www.generac.com](http://www.generac.com). Registre la información importante de la unidad en el siguiente cuadro para futuras referencias y/o solicitudes de servicio.

Número de modelo	
Número de serie	
Fecha de compra	

## REGLAS DE SEGURIDAD

En toda esta publicación, en los rótulos y en las etiquetas adhesivas fijadas en la hidrolavadora, los bloques de PELIGRO, ADVERTENCIA, PRECAUCIÓN y NOTA se usan para alertar al personal sobre instrucciones especiales acerca de una operación en particular que puede ser peligrosa si se efectúa de manera incorrecta o imprudente. Obsérvelos cuidadosamente. Sus definiciones son las siguientes:

### ⚠ PELIGRO

Indica una situación o acción peligrosa que, si no se evita, puede ocasionar la muerte o una lesión grave.

### ⚠ ADVERTENCIA

Indica una situación o acción peligrosa que, si no se evita, podría ocasionar la muerte o una lesión grave.

### ⚠ CUIDADO

Indica una situación o acción peligrosa que, si no se evita, podría ocasionar una lesión menor o moderada.

### NOTA:

Las Notas contienen información adicional importante para un procedimiento y se incluyen dentro del cuerpo del texto de este manual.

Estas advertencias de seguridad no pueden eliminar los peligros que indican. El sentido común y el estricto cumplimiento con las instrucciones especiales mientras realiza la acción o el servicio son esenciales para la prevención de accidentes.

## SÍMBOLOS DE SEGURIDAD Y SU SIGNIFICADO



Gases tóxicos



Retroceso



Shock eléctrico



Superficie resbaladiza



Caída



Inyección de líquido



Fuego



Explosión



Manual del Propietario



Partes móviles



Objetos voladores



Superficie caliente


# Reglas de seguridad

**! PELIGRO:** El monóxido de carbono que se genera durante el uso puede matar en minutos. **NUNCA** usar en interiores, en un vehículo, o áreas cubiertas, **INCLUSO SI** ventanas y puertas están abiertas. Usar **SÓLO** al aire libre, y lejos de ventanas, puertas y ventilaciones.

 Algunos productos químicos o detergentes pueden ser perjudiciales si se inhalan o ingieren, causando náuseas, desmayos o envenenamiento.

- Operar la hidrolavadora **SÓLO** al aire libre.
- Un motor en funcionamiento libera monóxido de carbono.
- El monóxido de carbono es un gas venenoso sin color ni aroma. Respirar el monóxido de carbono puede causar dolor de cabeza, fatiga, mareos, vómitos, confusión, convulsiones, náuseas, desmayos, o la muerte. Si experimenta estos síntomas, retírese a un lugar con aire fresco **INMEDIATAMENTE**. Busque asistencia médica.
- Evite que los gases de escape entren a un área cerrada a través de ventanas, puertas, tomas de ventilación u otras aberturas. Explique a las personas que se encuentren en el interior acerca de los síntomas del monóxido de carbono, para que se retiren al aire fresco si sienten los síntomas.
- Se recomienda el uso de un detector de monóxido de carbono dentro de cualquier lugar entre la hidrolavadora y el ocupante.
- Nunca encienda el motor en espacios cerrados, en un vehículo, incluso si hay ventanas y puertas abiertas.
- Siempre se debe usar un equipo de respiración o máscara cuando exista la posibilidad de inhalación de gases tóxicos.
- Lea todas las instrucciones del respirador o máscara, de manera de asegurarse que proporcionarán la protección adecuada contra la inhalación de gases y vapores tóxicos. Si comienza a sentir cualquiera de los síntomas del monóxido de carbono enumerados antes, retírese a un lugar con aire fresco **INMEDIATAMENTE**.

**! PELIGRO:** **NUNCA** apunte la pistola de rociado a personas, animales, dispositivos eléctricos o plantas. Puede causar heridas graves o la muerte. **SIEMPRE** dirija la pistola pulverizadora en una dirección segura y apriete el gatillo para descargar la presión, cada vez que pare el motor. Trabe el seguro del gatillo cuando no esté en uso.

- 
- La corriente de agua a alta presión que genera este equipo puede cortar la piel y tejidos subyacentes, causando lesiones graves, posible amputación o muerte. La pistola pulverizadora contiene agua a alta presión, incluso con el motor parado y el agua desconectada, que puede causar lesiones.
  - **NUNCA** permita que los NIÑOS operen la hidrolavadora o jueguen cerca de ella. **NO** es un juguete.
  - **NUNCA** repare la manguera de alta presión. Reemplácela.
  - **NUNCA** reparar una fuga en las conexiones con ningún tipo de sellador. Reemplace la junta o el sello.
  - **NUNCA** conecte la manguera de alta presión a la extensión para boquillas.
  - Mantenga la manguera de alta presión conectada a la bomba y a la pistola pulverizadora mientras el sistema se encuentra presurizado.
  - **NUNCA** asegure la pistola pulverizadora en la posición abierta.
  - **NUNCA** abandone la pistola pulverizadora cuando la máquina está funcionando.
  - **NUNCA** use una pistola pulverizadora que no tiene el seguro del gatillo o protección para gatillo en su lugar y en buenas condiciones.
  - **SIEMPRE** debe asegurarse de que la pistola pulverizadora, las boquillas y demás accesorios están correctamente colocados.

**! ADVERTENCIA:** Riesgo de electrocución.



El contacto con la fuente de energía puede causar electroshock o quemaduras.

- **NUNCA** pulverice cerca de la fuente de energía.

**! ADVERTENCIA:** El contacto con la zona del silenciador puede resultar en quemaduras graves. El calor de los gases de escape puede encender combustibles, estructuras o dañar el tanque de combustible, causando un incendio.



• **NO** toque las superficies calientes y **EVITE** los gases de escape.

- Deje que el equipo se enfríe antes de tocarlo.
- Deje al menos 5 pies (152 cm) de espacio libre hacia todos los lados, incluida la parte superior.



• Es una violación al Código de Recursos Públicos de California, Sección 4442, utilizar u operar el motor en cualquier área cubierta de bosques, matorrales o hierba, a menos que el sistema de escape esté equipado con un apagachispas, tal como se define en la Sección 4442, mantenido en buenas condiciones de operación. Otros estados o jurisdicciones federales pueden tener leyes similares.

Póngase en contacto con el fabricante de equipos originales, vendedor o distribuidor para obtener un supresor de chispas diseñado para el sistema de escape instalado en este motor.

- Los repuestos deben ser iguales y estar instalados en la misma posición que las piezas originales.

**! ADVERTENCIA:** El combustible y sus vapores son extremadamente inflamables y explosivos. Un incendio o explosión pueden causar quemaduras graves o la muerte.



**AL AGREGAR O DRENAR EL COMBUSTIBLE**

• Apague la hidrolavadora y déjala enfriar al menos 2 minutos antes de retirar el tapón de combustible. Afloje el tapón lentamente para aliviar la presión en el tanque.



- Llene o vacíe el tanque de combustible al aire libre.
- **NO** sobrellene el tanque. Deje espacio para la dilatación del combustible.
- Si se derraman combustible, espere hasta que se evapore antes de encender el motor.

- Mantenga el combustible alejado de chispas, llamas, luces piloto, calor y otras fuentes de ignición.
- **NO** encienda un cigarrillo ni fume.

**ARRANQUE DEL EQUIPO**

- Asegúrese de que la bujía, el silenciador, el tapón de combustible y el limpiador de aire están en su lugar.
- **NO** arranque el motor sin la bujía instalada.

**OPERAR EL EQUIPO**

- **NO** incline el motor o el equipo de manera que pueda derramarse combustible.
- **NO** pulverice líquidos inflamables.

**TRANSPORTAR O REPARAR EL EQUIPO**

- Debe transportar/reparar el equipo con el tanque de combustible vacío con la válvula de combustible cerrada.
- Desconecte el cable de la bujía.

**ALMACENAR COMBUSTIBLE O EQUIPOS CON COMBUSTIBLE EN EL TANQUE**

- Almacenar alejado de calderas, estufas, calentadores de agua, secadoras de ropa u otros aparatos electrodomésticos que posean luz piloto u otras fuentes de ignición, ya que pueden encender los vapores del combustible.

**ADVERTENCIA:** La hidrolavadora puede crear charcos y superficies resbalosas mientras está en uso. El retroceso de la pistola pulverizadora puede provocar una caída.



- Utilizar únicamente sobre una superficie plana.
- El área de limpieza deberá tener inclinaciones y drenajes adecuados para reducir la posibilidad de caídas debido a superficies resbalosas.
- No lo use en superficies elevadas, donde la posibilidad de un contragolpe podría dar lugar a una grave caída.
- Sujete firmemente la pistola pulverizadora con ambas manos cuando utilice pulverizado a alta presión para evitar lesiones cuando la pistola retroceda.



**ADVERTENCIA:** El arrancador y otras piezas que rotan pueden enredar las manos, cabello, ropa o accesorios.



- NUNCA opere la hidrolavadora sin la carcasa o cubierta protectora.
- NO use ropa suelta, joyas o elementos que puedan quedar atrapados en el arranque o en otras partes de rotación.

- Ate el pelo largo y retire las joyas.

**ADVERTENCIA:** El retroceso del cable de arranque (repliegue rápido) puede causar lesiones corporales. El retroceso tirará de la mano y el brazo hacia el motor más rápido de lo que usted podrá soltarlo. Puede tener como consecuencia huesos rotos, fracturas, moretones y desgarros.



- NUNCA tire del cable de arranque sin antes liberar la presión de la pistola pulverizadora.
- Para descargar la presión, apunte la pistola hacia una dirección segura y tire del gatillo.

- Cuando arranque el motor, tire lentamente del cable hasta sentir una resistencia y luego tire rápidamente para evitar su retroceso.
- Después de cada intento de arranque en que el motor no encienda, dirija la pistola pulverizadora hacia una dirección segura y apriete el gatillo para liberar la presión alta.
- Sujete firmemente la pistola pulverizadora con ambas manos cuando utilice pulverizado a alta presión para evitar lesiones cuando la pistola retroceda.

**ADVERTENCIA:** Las chispas no intencionales pueden resultar en un choque eléctrico.



**AL HACER AJUSTES O REPARACIONES A SU HIDROLAVADORA**

- Desconecte el cable de la bujía y colóquelo donde no puede hacer contacto con la bujía.



**AL PROBAR SI HAY CHISPAS EN EL MOTOR**

- Use un probador aprobado para bujías. • NO realice la prueba sin la bujía conectada.

**ADVERTENCIA:** Riesgo de lesiones en los ojos. El agua rociada puede salpicar o lanzar objetos.



- Siempre use gafas de seguridad al usar este equipo o cerca de equipos en funcionamiento.
- Antes de encender la hidrolavadora, asegúrese de estar usando las gafas de seguridad.

- NUNCA sustituya gafas por gafas de seguridad.

**ADVERTENCIA:** El escape del motor de este producto contiene sustancias químicas que en el Estado de California se sabe que causan cáncer, defectos de nacimiento u otros daños reproductivos.

**ADVERTENCIA:** Este producto contiene plomo y compuestos de plomo, que en el Estado de California se sabe que pueden causar defectos de nacimiento u otros daños reproductivos. Lávese las manos luego de manejar este producto.

**NOTA:**

**El rociar de alta presión puede dañar artículos frágiles como el vidrio.**

- NO apunte la pistola de rociado a vidrio cuando usa la boquilla MAX roja (0°).
- NUNCA apunte la pistola de rociado a personas, animales, dispositivos eléctricos o plantas.

**NOTA:**

**El uso inadecuado de la hidrolavadora puede dañarla y cortar su vida útil.**

- Si tiene preguntas acerca del uso previsto, consulte con su proveedor o contacte a un centro de servicio calificado
- NUNCA opere unidades dañadas o con partes faltantes, o sin cubierta protectora.
- NO omita ningún dispositivo de seguridad en esta máquina.
- NO opere la hidrolavadora por encima de la presión nominal.
- NO modifique la hidrolavadora de ninguna manera.
- Antes de utilizar la hidrolavadora en climas fríos, verifique todas las partes del equipo para asegurarse de que no se ha formado hielo.
- NUNCA mueva la máquina tirando de las mangueras. Use la manija que viene en la unidad.
- Verifique el sistema de combustible en busca de fugas o signos de deterioro, como mangueras desgastadas o porosas, abrazaderas flojas o ausentes, o tanque o tapa dañada. Corrija todos los defectos antes de operar la lavadora.
- Este equipo está diseñado para usarse ÚNICAMENTE con partes Generac autorizadas. Si el equipo se utiliza con partes que NO cumplen con las especificaciones mínimas, el usuario asume todos los riesgos y responsabilidades.

## CONOZCA SU HIDROLAVADORA

Lea este manual del propietario y las reglas de seguridad antes de operar su hidrolavadora de alta presión.

Si presta este dispositivo a alguien, SIEMPRE entregue también a la persona estas instrucciones y el Manual del Propietario. Compare las ilustraciones con su lavadora a alta presión para familiarizarse con la ubicación de los variados controles (Figura 1). Conserve este manual para futuras referencias. En el sitio web de Generac se pueden imprimir manuales del propietario de remplazo.

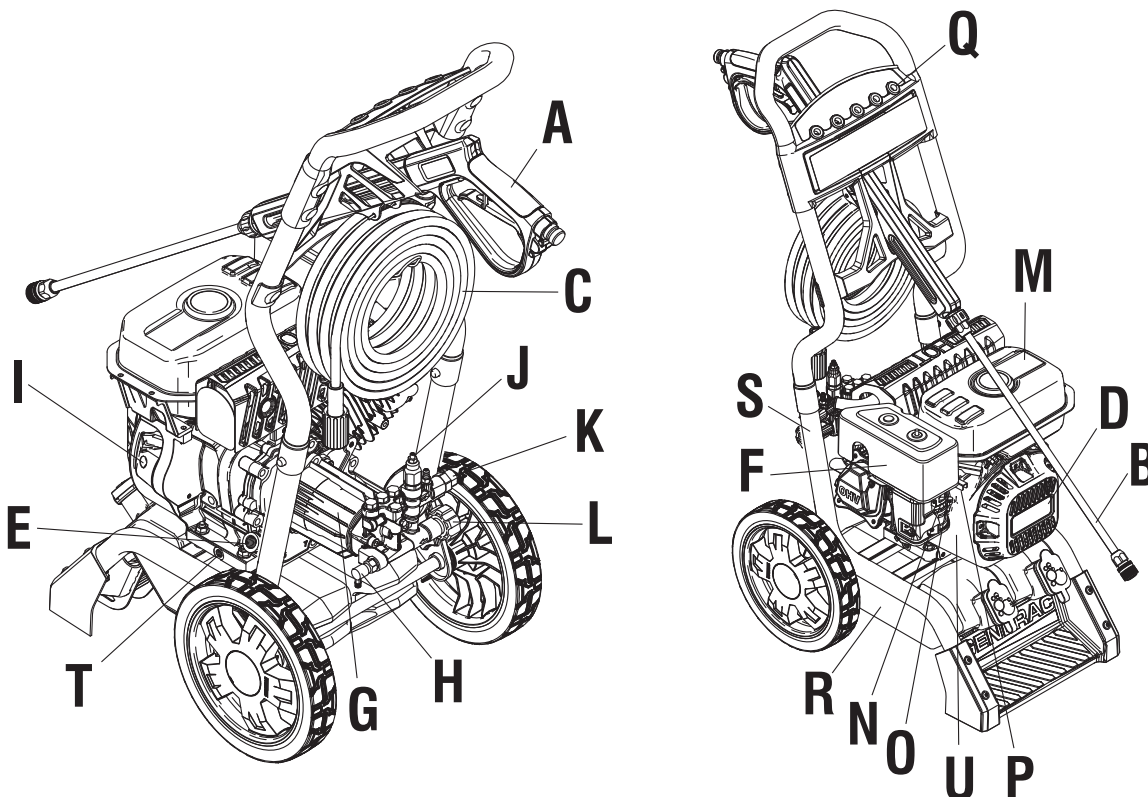
- A - Pistola pulverizadora** – Controla la aplicación de agua sobre la superficie a limpiar mediante un dispositivo con gatillo. El gatillo incluye un seguro.
- B - Lanza con conector rápido** – Permite cambiar entre boquillas.
- C - Manguera de alta presión** – Conecta un extremo con la bomba de agua y el otro a la pistola pulverizadora.
- D - Arrancador de retroceso** – Se utiliza para encender el motor.
- E - Llenado de aceite** – Verifique y agregue aceite.
- F - Filtro de aire** – Protege el motor al filtrar polvo y suciedad de la toma de aire.
- G - Bomba** – Desarrolla la alta presión.
- H - Válvula de alivio térmico** – Hace circular agua a través de la bomba. Cuando el agua alcanza los 125°F, la bomba descarga agua tibia al suelo. Esto impide daños internos a la bomba.
- I - Interruptor de encendido/apagado del motor** – Ponga este interruptor en la posición "ON" antes de usar el arrancador de retroceso. Para detener el motor, ponga el interruptor en posición "OFF".

- J - Válvula de descarga** – Controla la presión alta de salida.
- K - Salida de alta presión** – Conexión para la manguera de alta presión.
- L - Toma de agua** – Conexión para la manguera de jardín.
- M - Tanque de combustible** – Tanque para llenado de combustible regular sin plomo. Siempre deje espacio para la dilatación del combustible.
- N - Interruptor de combustible encendido/apagado** – Enciende y apaga el suministro de combustible al motor.
- O - Estrangulador** – Prepara al motor frío para el arranque.
- P - Palanca de admisión de gases** – Aumenta o disminuye la velocidad del motor. El regulador de gases debe estar en su recorrido máximo cuando la hidrolavadora está en uso.
- Q - Boquillas – RRR - Tanque de químicos** – Se usa para almacenar los detergentes que se enviarán a la corriente de baja presión. (algunas unidades pueden no tener tanque, o tener uno sólo).
- S - Precaución/Instrucciones de operación** – Identifica los procedimientos adecuados de encendido/apagado de la hidrolavadora.
- T - Tapón de drenaje** – Se usa para drenar aceite del motor.
- U - Ubicación del número de serie**

## ARTICULOS QUE NO SE MUESTRAN

- Etiqueta de identificación (en la carcasa del ventilador del motor) – Indica el modelo y el número de serie de la hidrolavadora. Téngalos a mano si llama para solicitar asistencia.
- Tubo/filtro de descarga de detergente – Se usa para enviar el detergente de la hidrolavadora a la corriente de baja presión.

Figura 1 – Funciones y Controles



**ESPECIFICACIONES DEL PRODUCTO**

<b>CONSUMIDOR</b>			
Presión - (PSI / BAR)	2500/172	2700/186	3100/213
Tasa de flujo - (GPM / LPM)	2.3/8.7		2.7/10.2
Temperatura del agua de entrada - (°F / C°)	100/38 Máx.		
Longitud de la manguera - (pies / metros)	25/7.6	25/7.6	30/9.1
Tanque(s) de productos químicos - Número por unidad	0	1	2
Tanque de productos químicos - Capacidad (galones - litros)	N/A	0.75/2.8	0.75/2.8
Boquillas - Número por unidad	3	4	5
Longitud de la lanza (pulgadas / cm)	20/51		
Pistola	Estándar		Deluxe
Desplazamiento del motor - (pulgadas cúbicas / cc)	11.9/196		12.9/212
Bujía tipo	F7TC o equivalente		
Espaciamiento de la bujía - (pulgadas / mm)	0.028-0.031/0.70-0.80		
Capacidad total - (cuartos / litros)	3.7/3.5		
Capacidad de aceite - (onzas / litros)	20/0.6		
Sistema de apagado por bajo nivel de aceite	Sí		
Interruptor On/Off:	Sí		

**INFORMACIÓN SOBRE EMISIONES**

La Agencia de Protección Ambiental de los EE. UU. (EPA) (y la Junta de Recursos del Aire de California [CARB] para los equipos certificados conforme a las normas de California) requieren que este motor cumpla las normas de emisiones de escape y evaporación. Localice la etiqueta adhesiva sobre cumplimiento de las normas referidas a emisiones colocada sobre el motor para determinar qué normas satisface el generador, y para determinar qué garantía de emisiones corresponde. El motor está certificado para satisfacer las normas de emisiones correspondientes a las gasolinas. Es importante seguir las especificaciones de mantenimiento indicadas en la sección Mantenimiento para asegurar que el producto cumpla con las normas de emisiones aplicables durante toda su vida útil. Este motor usa ajustes de carburación empobrecida y otros sistemas para reducir las emisiones. La manipulación indebida o la alteración del sistema de control de emisiones pueden aumentar las emisiones y constituye una infracción de la ley federal o la de California. Las acciones que constituyen manipulación indebida incluyen, entre otras:

- Retiro o alteración de cualquier parte de los sistemas de admisión, combustible o escape.
- Alteración o anulación del varillaje del regulador o el mecanismo de ajuste de velocidad a fin de que el motor funcione fuera de sus parámetros de diseño

Si observa alguno de los siguientes síntomas, pida al concesionario de servicio que inspeccione o repare su motor:

- Dificultad para arrancar o calada después del arranque
- Ralentí irregular
- Fallo de encendido o contraexplosiones bajo carga
- Postcombustión (contraexplosiones)
- Humo de escape negro o alto consumo de combustible

**FUNCIONAMIENTO A GRAN ALTITUD**

El sistema de combustible de este motor puede verse afectado por el funcionamiento en altitudes más elevadas. Para garantizar el funcionamiento correcto, puede instalarse un kit para altitud cuando sea necesario. Vea la tabla a continuación para determinar cuándo se requiere un kit para altitud. El uso de este motor sin el kit para altitud apropiado puede aumentar las emisiones del motor y disminuir la economía de combustible y el rendimiento. Los kits pueden obtenerse en cualquier concesionario, y deben ser instalados por una persona cualificada.

Intervalo de altitud*	Número de kit	psi
0 - 5000 pies	No se requiere	2500/2700/3100
5000 - 7000 pies	0K2015	2500/2700
5000 - 7000 pies	0K2016	3100
*Elevación sobre el nivel del mar.		

**NOTA:**

**Si se ha instalado el kit para altitud y el motor se utilizará a una altitud en la que no se requiere el kit, el motor se debe volver a ajustar a la configuración de fábrica. El uso de un motor en altitudes más bajas con el kit instalado puede causar el sobrecalentamiento del motor y ocasionar daños graves al motor, y puede ocasionar un menor rendimiento y mayores emisiones.**

## DESEMPAQUE

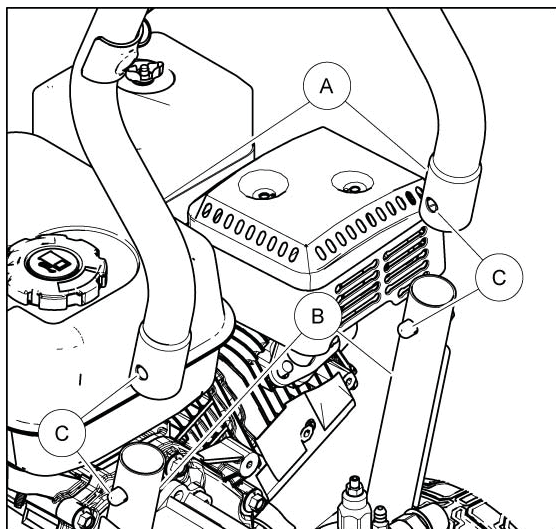
1. Retire las bolsas de las partes, accesorios e insertos que se incluyen con la hidrolavadora.
2. Abra la caja de cartón cortando las esquinas de arriba a abajo.
3. Asegúrese de que están todos los artículos que se incluyen antes del montaje.
  - Unidad principal
  - Montaje de la agarradera
  - Manguera de alta presión
  - Manguera de succión y filtro
  - Pistola pulverizadora
  - Lanza con junta de conexión rápida
  - Botella de aceite
  - Gancho para manguera
  - Bolsa de partes (que incluye lo siguiente):
    - Tapa del tanque de productos químicos con orificio, si el modelo cuenta con una Tanque para productos químicos
    - Manual del Usuario
    - Tarjeta de registro del propietario
    - Bolsa conteniendo boquillas codificadas por color
4. Si faltara algún artículo de su caja, contacte al Servicio al Cliente de Generac al 1-888-436-3722. Cuando llame para solicitar asistencia, tenga a mano los números de modelo y de serie que se encuentran en la etiqueta de datos.
5. Complete y envíe la tarjeta de registro. Escriba el número de modelo, número de serie y fecha de compra en la tabla que aparece en la sección "Dónde encontrarlos".

## ENSAMBLAR

Lea todo el manual del propietario antes de realizar el montaje o si tiene problemas con el montaje de su hidrolavadora, contacte al Servicio al Cliente de Generac al 1-888-436-3722. Cuando llame para solicitar asistencia, tenga a mano los números de modelo y de serie que se encuentran en la etiqueta de datos

1. Coloque la agarradera (A) sobre los soportes para la agarradera (B). Presione los botones de enganche y deje que la agarradera se deslice a su posición (C). El botón bloqueará la agarradera en su posición (Figura 2).

**Figura 2 – Enganchar la agarradera**

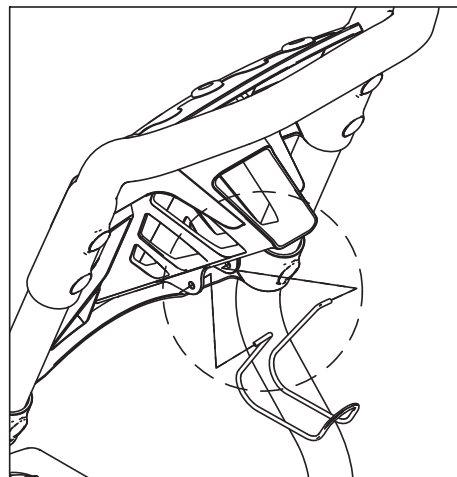


### NOTA:

Puede ser necesario mover de lado a lado los soportes para la agarradera, de manera de alinear la agarradera y que deslice correctamente sobre los soportes.

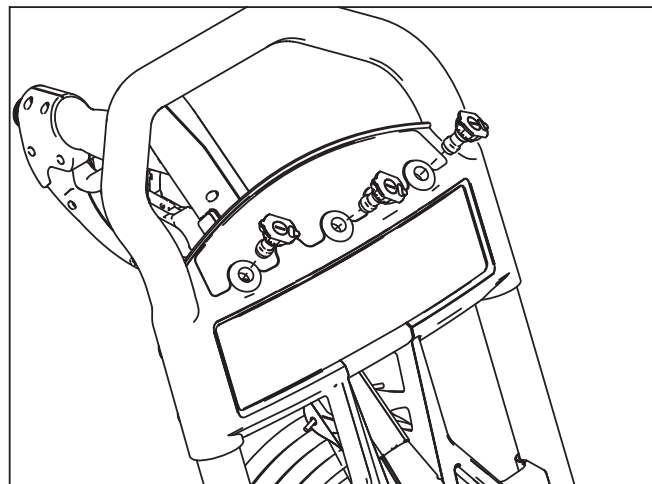
2. Instale el gancho para la manguera (Figura 3).

**Figura 3 – Instalar el gancho para la manguera**



3. Inserte las boquillas codificadas con colores en los espacios dispuestos para ello en la agarradera (Figura 4).
4. Coloque pistola pulverizadora y la boquilla de extensión en el soporte para la pistola como se muestra (Figura 4).

**Figura 4 – Inserte las boquillas**

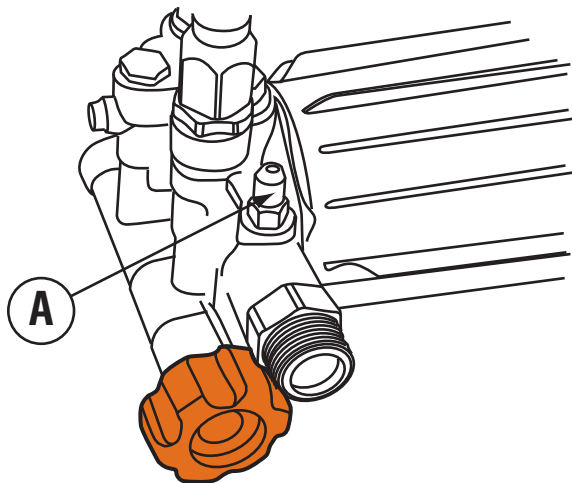


5. Enrolle la manguera de alta presión y cuélguela en el gancho.



Sujete el tubo de succión en el punto A (Figura 5).

**Figure 5 – Ubicación del tubo de sifón**



## AGREGUE ACEITE PARA MOTOR

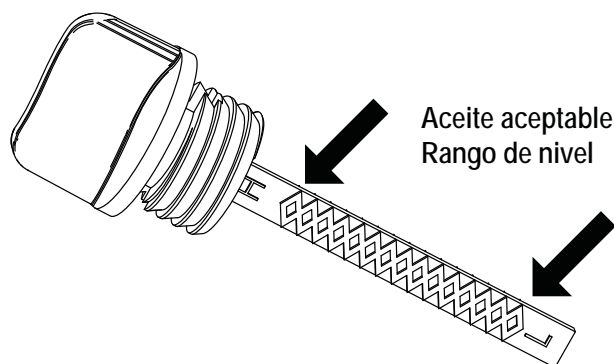
1. Coloque la hidrolavadora en una superficie lisa.
2. Limpie el área alrededor del área de llenado de aceite y retire la tapa anaranjada/varilla.
3. Con un embudo para aceite (opcional) vierta lentamente aceite en la abertura de llenado. Vea la sección Mantenimiento para la recomendación sobre el tipo de aceite.

**NOTA:**

En algunas unidades hay más de un punto para llenado de aceite. En estos casos, sólo es necesario usar uno de los puntos para llenado de aceite.

4. Compruebe periódicamente hasta que el nivel de aceite esté entre "L" y "H" en la varilla de medición (Figura 6). NO LLENE EN EXCESO.

**Figura 6 - Varilla de medición**



**NOTA:**

Cualquier intento de arrancar el motor antes de que se le haya dado servicio apropiado con el aceite recomendado puede traer como resultado una falla del motor.

5. Reemplace la tapa/varilla de la boca para llenado de aceite y apretar.

## AGREGUE EL COMBUSTIBLE

El combustible debe cumplir con los siguientes requisitos:

- Gasolina limpia, fresca y sin plomo.
- Un octanaje mínimo de 87/87 AKI (RON 91).
- Es aceptable la gasolina con hasta un 10% de etanol.

**NOTA:**

Evite daños a la hidrolavadora. No seguir las recomendaciones acerca del combustible que aparecen en el Manual del Usuario anulará la garantía.

- NO use gasolina no aprobada, como la E85.
- NO mezcle aceite en la gasolina.
- NO modifique el motor para que funcione con combustibles alternativos.

Para proteger al sistema de combustible de la gelificación, mezcle un estabilizante al agregar el combustible. Vea Almacenamiento No todos los combustibles son iguales. Si tiene problemas con el arranque o de desempeño luego de usar un combustible, cambie a un proveedor o marca diferente.

**⚠ ADVERTENCIA**



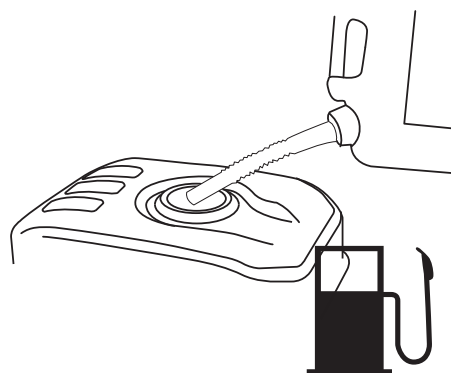
El combustible y sus vapores son extremadamente inflamables y explosivos. Un incendio o explosión pueden causar quemaduras graves o la muerte.

## AL AGREGAR COMBUSTIBLE

- Apague la hidrolavadora y déjela enfriar al menos (2) minutos antes de retirar el tapón de combustible. Afloje el tapón lentamente para aliviar la presión en el tanque.
- Llene el tanque de combustible al aire libre.
- NO sobrellene el tanque. Deje espacio para la dilatación del combustible.
- Si se derraman combustible, espere hasta que se evapore antes de encender el motor.
- Mantenga el combustible alejado de chispas, llamas, luces piloto, calor y otras fuentes de ignición.
- NO encienda un cigarrillo ni fume.

1. Limpie el área alrededor del tapón de combustible, retire el tapón.
2. Agregue combustible regular sin plomo en el tanque de combustible lentamente. Tenga cuidado de no sobrellenarlo. Llene hasta la parte inferior del filtro, esto permitirá la expansión del combustible (Figura 7).
3. Coloque el tapón de combustible y deje que se evapore el combustible derramado antes de arrancar el motor.

**Figura 7 – Agregado de combustible**



## CONECTE LA MANGUERA Y EL SUMINISTRO DE AGUA A LA BOMBA

### NOTA:

**NO** encienda la bomba si el suministro de agua no está conectado y encendido. Los daños a consecuencia del incumplimiento de estas instrucciones anulará la garantía.

### NOTA:

Retire y deseche la tapa de embarque de la entrada de agua de la bomba antes de conectar la manguera.

1. Deje correr agua por su manguera de jardín durante al menos 30 segundos para limpiar restos de suciedad.
2. Antes de conectar la manguera de jardín a la toma de entrada, inspeccione el filtro de toma (A) (Figura 8). Limpie la pantalla si contiene suciedad, o reemplácela si está dañada. **NO** encienda la hidrolavadora si el filtro de toma está dañado.

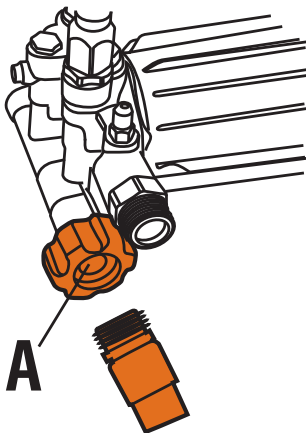
**IMPORTANTE:** NO succione agua estancada para suministrar agua. **SÓLO** use agua fría (menos de 100°F). El suministro de agua debe ser adecuado para manejar más de 3.8 galones por minuto y no menos de 30 psi.

### NOTA:

**El uso de una válvula de una vía (interruptor de vacío o válvula de retención) en la toma de la bomba puede causar daños en la bomba o en el conector de entrada.**

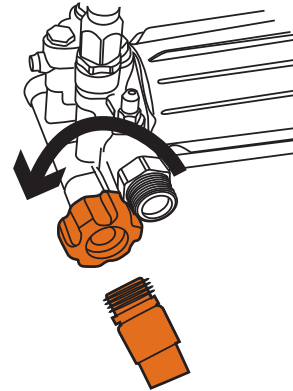
- DEBE haber al menos diez pies de manguera de jardín libre entre la toma de agua de la hidrolavadora y cualquier dispositivo, como un interruptor de vacío o válvula de retención.
- Los daños a consecuencia del incumplimiento de estas instrucciones anulará la garantía

**Figura 8 – Inspeccione el filtro de la toma**



3. Conectar la manguera de jardín (que no exceda los 50 pies de largo) a la toma de agua (Figura 9). Ajustelo manualmente

**Figura 9 – Conectar la manguera de jardín**

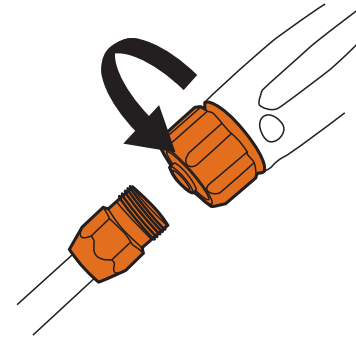


### ⚠ ADVERTENCIA

**Riesgo de lesiones en los ojos. El agua rociada puede salpicar o lanzar objetos.**

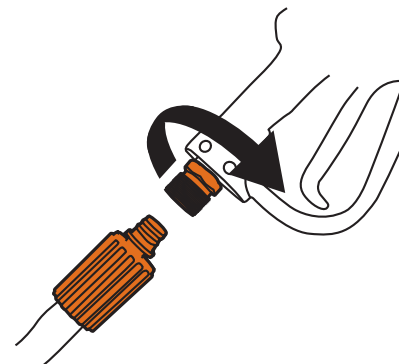
- Siempre use gafas de seguridad al usar este equipo o cerca de equipos en funcionamiento.
  - Antes de encender la hidrolavadora, asegúrese de estar usando las gafas de seguridad.
  - **NUNCA** sustituya gafas por gafas de seguridad.
4. Conecte la lanza a la pistola pulverizadora (Figura 10). Ajustela manualmente

**Figura 10 – Enganchar la lanza**




5. Enganche el extremo de la manguera de alta presión a la base de la pistola pulverizadora (Figura 11). Ajustela manualmente.

**Figura 11 – Conecte la manguera a la pistola rociadora**



## ⚠ PELIGRO

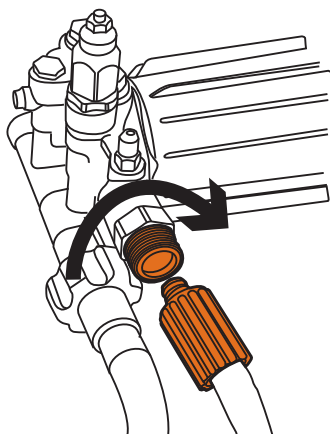
 La corriente de agua a alta presión que genera este equipo puede cortar la piel y tejidos subyacentes, causando lesiones graves y posible amputación.

- NUNCA conecte la manguera de alta presión a la lanza
  - Mantenga la manguera de alta presión conectada a la bomba y a la pistola pulverizadora mientras el sistema se encuentra presurizado.
  - Siempre debe asegurarse de que la pistola pulverizadora, las boquillas y demás accesorios están correctamente colocados.
6. Conecte la manguera de alta presión a la bomba (desenrolle la manguera antes de conectarla a la bomba o a la pistola pulverizadora) (Figura 12). Ajustela manualmente

## ⚠ CUIDADO

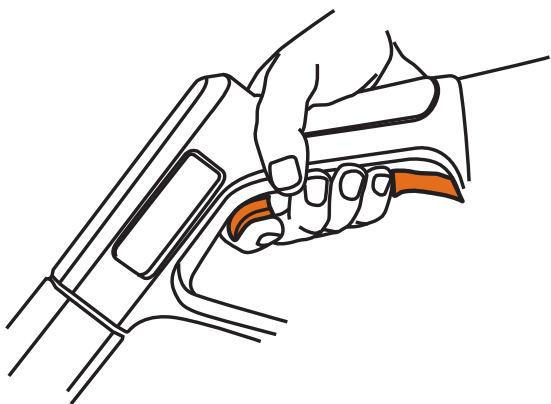
 La manguera puede ser dañado si se entra en contacto con el motor caliente o el silenciador.

**Figura 12 – Conecte la manguera de alta presión a la bomba**



7. Encienda el suministro de agua, aprete el gatillo para purgar el sistema de bombeo de aire (Figura 13).

**Figura 13 – Apretete el gatillo**




## CÓMO USAR LAS BOQUILLAS

La conexión rápida sobre la lanza de la boquilla le permite cambiar entre distintas boquillas. Se puede cambiar de boquilla mientras la hidrolavadora está funcionando, si se a trabado el gatillo de la pistola pulverizadora en la posición segura. Las boquillas modifican la presión y el patrón de rociado como se muestra.

- Para obtener una limpieza más efectiva, mantenga la boquilla de 8 a 24 pulgadas (20 a 61 cm) de la superficie a limpiar.
- Si mantiene la boquilla muy cerca, especialmente si se trata de una boquilla de alta presión, puede dañar la superficie a limpiar.

## ⚠ PELIGRO

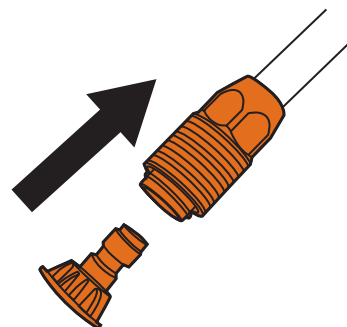
 La corriente de agua a alta presión que genera este equipo puede cortar la piel y tejidos subyacentes, causando lesiones graves y posible amputación.

- NUNCA intercambie boquillas sin que el gatillo esté bloqueado en la pistola pulverizadora.
- NO tuerza la boquilla mientras esté rociando

Siga estas instrucciones para cambiar las boquillas:

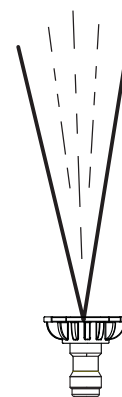
1. Tire del anillo de conexión rápida y retire la boquilla. Guarde las boquillas en el soporte provisto para los accesorios (Figura 14).

**Figura 14 – Boquillas**



2. Seleccione la boquilla deseada.
3. Tire del anillo, inserte la nueva boquilla y suelte el anillo. Tire de la boquilla para asegurarse de que está bien montada.
  - Para enjuagues delicados (presión más baja y mayor flujo), limpieza de autos/camiones, botes, caravanas, muebles de patio, equipo para césped, etc., seleccione la boquilla blanca (Figura 15).

**Figura 15 - Boquilla de presión para lavado (blanca)**



## Ensamblar

- Para lavado general (de media presión y caudal medio), ideal para todo tipo de limpiezas, como fachadas, patios de ladrillo, cubiertas de madera, entradas, aceras, pisos de garaje, etc., seleccione la boquilla verde (Figura 16).

**Figura 16 - Boquilla de presión para limpieza (verde)**



- Para enjuague medio (presión más alta y caudal medio), ideal para quitar manchas en superficies duras porosas como caminos de acceso, pisos de garajes y patios de ladrillos (Figura 17).

**Figura 17 - Boquilla de presión para fajas (amarilla)**



- Para enjuague profundo (presión más alta y flujo más bajo), para superficies rebeldes o de difícil acceso como superficies en segundo piso, remoción de pintura, manchas de aceite, eliminación de óxido u otras sustancias difíciles (alquitrán, resina, grasa, cera, etc.), seleccione la boquilla roja (Figura 18).

### ⚠ CUIDADO

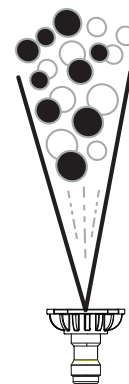
- ⚠ **Esta punta (boquilla roja) puede dañar la superficie de trabajo si se coloca muy cerca de la misma o si se mantiene en la misma posición por mucho tiempo.**

**Figura 18 – Boquilla de máxima presión (roja)**



- Cuando aplique detergente, sólo use la boquilla negra (Figura 19). Sólo use detergentes/jabones seguros para la hidrolavadora, para ayudar con la eliminación de suciedad y mugre de una variedad de superficies.

**Figura 19 – Boquilla de detergente (Black)**



## LIMPIEZA Y APLICACIÓN DE DETERGENTE

### ⚠ CUIDADO

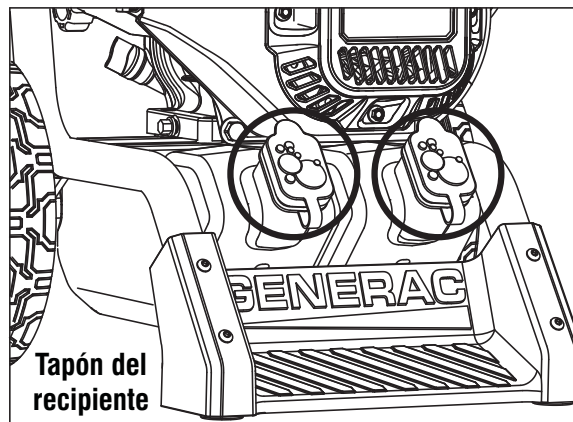
- ⚠ **Los productos químicos pueden causar lesiones en el cuerpo y/o a la propiedad.**

- NUNCA use líquido cáustico con la hidrolavadora.
- SÓLO use detergentes/jabones seguros para hidrolavadora. Siga todas las instrucciones de los fabricantes.

Para aplicar detergente, siga estos pasos:

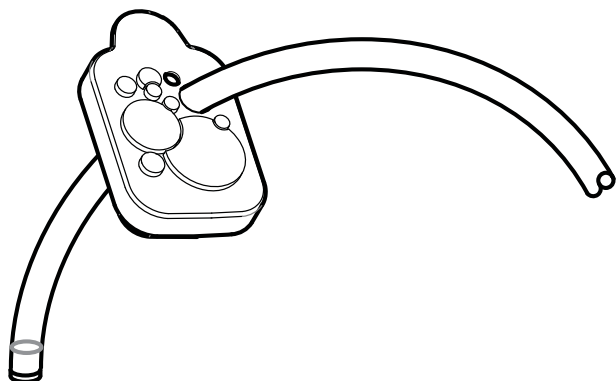
1. Leal nuevamente cómo usar las boquillas.
2. Abra la tapa del contenedor (si corresponde, Figura 20).
3. Prepare la cantidad de solución de detergente que requiera el trabajo.

**Figura 20 – Tanque y cubierta para productos químicos**



4. Dependiendo del modelo, inserte el filtro en el extremo del tubo de succión a través del orificio en la tapa suelta (que se suministra) (Figura 21).
5. Instale el tapón y el tubo de descarga en el tanque.
6. Asegúrese de que el tubo de descarga esté completamente sumergido en el detergente.

**Figure 21 – Instale el tubo de descarga**



**NOTA:**

**Asegúrese de que el filtro permanece completamente sumergido en el detergente durante su aplicación.**

**NOTA:**

**El contacto con el silenciador caliente puede dañar el tubo de descarga de detergente.**

- Al colocar el tubo en la botella de la solución de detergente, dirija el tubo de manera que no toque el silenciador caliente.
7. Asegúrese de que la boquilla negra de detergente se encuentra instalada.

**NOTA:**

**El detergente no se puede aplicar con la boquilla de alta presión (amarilla, blanca, verde o roja). Sólo debe usar la boquilla negra con el detergente.**

8. Asegúrese de seguir todas las instrucciones.

**NOTA:**

**Debe colocar todas las mangueras antes de encender el motor.**

- Encender el motor sin que estén todas las boquillas conectadas y sin el suministro de agua encendido puede dañar la bomba.
  - Los daños a consecuencia del incumplimiento de estas instrucciones anulará la garantía
9. Encienda el motor siguiendo las instrucciones Cómo encender su hidrolavadora.
  10. Aplique el detergente sobre la superficie seca, comenzando en la parte inferior de la misma y dirigiéndose hacia arriba utilizando movimientos largos, parejos y superpuestos.
  11. Permita que el detergente "penetre" de 3 a 5 minutos antes de enjuagar. Aplique nuevamente según sea necesario para impedir que la superficie se seque. NO permita que el detergente se seque sobre la superficie a limpiar (podría quedar con manchas).

**IMPORTANTE:** Usted deberá lavar el sistema de inyección de detergente después de cada uso colocando el filtro en un balde de agua limpia y haciendo funcionar la hidrolavadora a baja presión durante 1-2 minutos.

## **ENJUAGUE DE LA HIDROLAVADORA**

1. Quite la boquilla negra de detergente de la lanza.
2. Elija e instale la boquilla de alta presión deseada siguiendo las instrucciones en Cómo usar las boquillas
3. Dirija la pistola pulverizadora en una dirección segura y lejos de personas, animales y plantas. Presione el gatillo para que se elimine cualquier resto de producto químico del sistema.
4. Mantenga la pistola pulverizadora a una distancia segura de la superficie que desea pulverizar.

### **⚠ ADVERTENCIA**



**El retroceso de la pistola pulverizadora puede provocar una caída.**

- Utilizar únicamente sobre una superficie plana.
  - No utilizar sobre superficies elevadas para prevenir el riesgo de una caída seria.
  - Tenga mucho cuidado si tiene que usar la hidrolavadora desde una escalera, un andamio u otro lugar similar.
  - Sujete firmemente la pistola pulverizadora con ambas manos cuando utilice el rociado a alta presión para evitar lesiones cuando la pistola retroceda.
5. Aplique un rociado de alta presión en un área pequeña, después revise si la superficie sufrió daños. Si no hay daños, puede asumir que es seguro continuar con el lavado.
  6. Comience por la parte superior de la superficie que va a enjuagar, dirigiéndose hacia abajo con los mismos movimientos superpuestos que utilizó para la limpieza.

## **LIMPIEZA DEL TUBO DE DESCARGA DE DETERGENTE**


Si usó el tubo de descarga de detergente, debe lavarlo con agua limpia antes de parar el motor.

1. Coloque el tubo de descarga de detergente/filtro en un balde con agua limpia.
2. Quite la boquilla de alta presión de la extensión para boquilla.
3. Elija e instale la boquilla negra de alta presión siguiendo las instrucciones en Cómo usar las boquillas
4. Enjuague durante 1 a 2 minutos.
5. Apague el motor siguiendo las instrucciones Cómo detener la hidrolavadora y corte del suministro de agua.
6. SIEMPRE dirija la pistola pulverizadora en una dirección segura, apriete el gatillo para descargar el agua a alta presión. Trabe el seguro del gatillo cuando no esté en uso.

# Operación

**IMPORTANTE:** La pistola pulverizadora contiene agua a alta presión, incluso con el motor parado y el agua desconectada.

## ⚠ PELIGRO

 La corriente de agua a alta presión que genera este equipo puede cortar la piel y tejidos subyacentes, causando lesiones graves y posible amputación. La pistola pulverizadora contiene agua a alta presión, incluso con el motor parado y el agua desconectada, que puede causar lesiones.

- Mantenga la manguera de alta presión conectada a la bomba y a la pistola pulverizadora mientras el sistema se encuentra presurizado.
- SIEMPRE dirija la pistola pulverizadora en una dirección segura y apriete el gatillo para descargar la presión, cada vez que pare el motor. Trabe el seguro del gatillo cuando no esté en uso.


## OPERACIÓN

Si tiene problemas durante la operación de su hidrolavadora, llame al Servicio de Atención al Cliente de Generac al 1-888-436-3722.

## LOCALIZACIÓN DE LA HIDROLAVADORA

### Espacios libres y movimiento de aire


## ⚠ PELIGRO

 El motor en marcha produce monóxido de carbono, un gas inodoro, incoloro, venenoso. Respirar el monóxido de carbono puede causar dolor de cabeza, fatiga, mareos, vómitos, confusión, convulsiones, náuseas, desmayos, o la muerte. Para obtener más información, consulte las precauciones acerca del monóxido de carbono en la sección Reglas de Seguridad.

Coloque la hidrolavadora al aire libre, en una zona en la que no se acumulen los gases de escape tóxicos. NUNCA coloque la hidrolavadora en un lugar en que los gases de escape se puedan acumular o entrar en un edificio que pueda estar ocupado. Asegúrese de que los gases de escape se mantienen lejos de ventanas, puertas, tomas de aire de ventilación u otras aberturas que puede permitir que los gases de escape se acumulen en un espacio cerrado. Los vientos y las corrientes de aire se debe tomar en cuenta en la posición de la hidrolavadora (Figura 22).

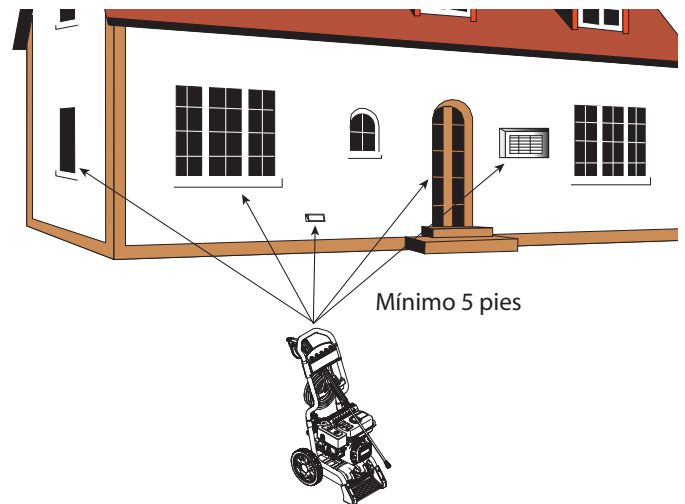
- Operar la hidrolavadora SÓLO al aire libre.
- Evite que los gases de escape entren a un área cerrada a través de ventanas, puertas, tomas de ventilación u otras aberturas.
- NUNCA arranque o haga funcionar el motor en interiores, en un vehículo o en una zona cerrada, AÚN SI las ventanas y puertas están abiertas.

## ⚠ ADVERTENCIA

 El calor de los gases de escape puede encender combustibles, estructuras o dañar el tanque de combustible, causando un incendio.

- Mantenga al menos 5 pies. (152 cm) de espacio libre en todos los lados de la hidrolavadora, incluida la parte superior.

Figura 22 - Espacios libres



## LISTA DE VERIFICACIÓN ANTES DE ARRANQUE DEL MOTOR

1. Asegúrese de leer y comprender la sección Seguridad del Usuario y la sección Operación antes de usar su hidrolavadora.
2. Revise que el aceite está en el nivel adecuado en el cárter del motor y que el combustible se ha agregado al tanque de combustible.
3. Revise el montaje de la unidad y asegúrese de que las juntas se fijan correctamente y que no existen dobleces, cortes o daños a la manguera de alta presión.
4. Proporcione el suministro de agua adecuado con el flujo adecuado, quite la suciedad de los filtros y verifique la purga del aire del sistema.
5. Asegúrese de que la unidad está segura a nivel del suelo y que el área de trabajo está despejada.

## CÓMO SE ARRANCA SU HIDROLAVADORA

NOTA:

**NO encienda la bomba si el suministro de agua no está conectado y encendido. Los daños a consecuencia del incumplimiento de estas instrucciones anulará la garantía**

1. Lleve la palanca de la válvula de combustible a la posición ON (Figura 23).

Figura 23 - Válvula de combustible

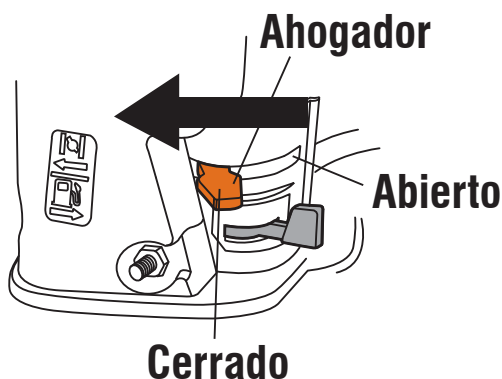


- Mueva la palanca del obturador a la posición "CERRADO" (Figura 24).

**NOTA:**

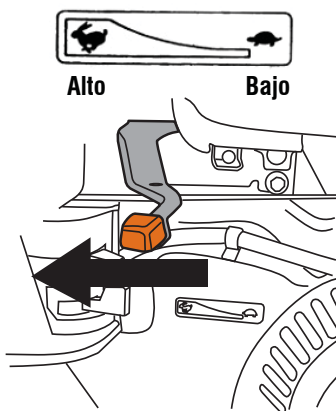
Si el motor está caliente, asegúrese de que la palanca del obturador esté en la posición "ABIERTO".

**Figura 24 – Palanca del obturador**



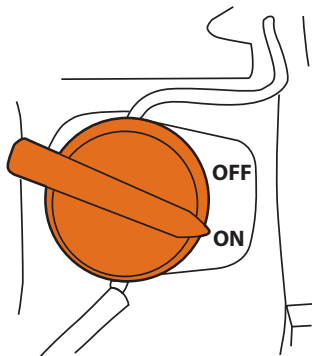
- Mueva la palanca de control del obturador a la posición "Alta", que se muestra en el motor como un conejo (Figura 25).

**Figura 25 – Control del obturador**



- Gire el interruptor del motor a la posición "ON" (Figura 26).

**Figure 26 – Posición ON**



**IMPORTANTE:** Antes de encender la hidrolavadora, asegúrese de estar usando las gafas de seguridad.

**⚠ ADVERTENCIA**

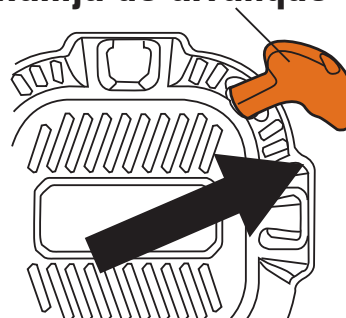


**Riesgo de lesiones en los ojos. El agua rociada puede salpicar o lanzar objetos.**

- Siempre use gafas de seguridad al usar este equipo o cerca de equipos en funcionamiento.
  - Antes de encender la hidrolavadora, asegúrese de estar usando las gafas de seguridad.
  - NUNCA sustituya gafas por gafas de seguridad.
- Coloque el pie en la base o asegure la unidad de otra manera durante el retroceso.
  - Al encender el motor, sostenga la palanca de arranque (Figura 27) y tire lentamente hasta que sienta cierta resistencia. Luego, tire rápidamente para encender el motor.

**Figura 27 – Arranque del motor**

**Manija de arranque**



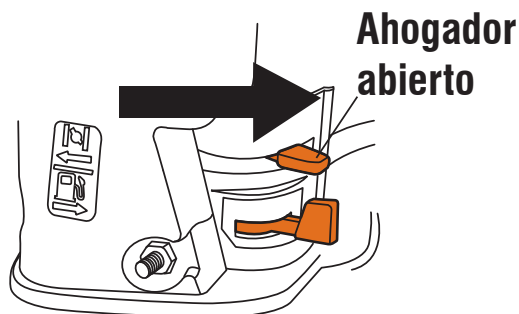
**⚠ ADVERTENCIA**



**El retroceso del cable de arranque (repliegue rápido) puede causar lesiones corporales. El retroceso tirará de la mano y el brazo hacia el motor más rápido de lo que usted podrá soltarlo. Puede tener como consecuencia huesos rotos, fracturas, moretones y desgarros.**

- NUNCA tire del cable de arranque sin antes liberar la presión de la pistola pulverizadora.
  - Cuando arranque el motor, tire lentamente del cable hasta sentir una resistencia y luego tire rápidamente para evitar su retroceso.
  - Después de cada intento de arranque en que el motor no encienda, dirija la pistola pulverizadora hacia una dirección segura y apriete el gatillo para liberar la presión alta.
  - Sujete firmemente la pistola pulverizadora con ambas manos cuando utilice el rociado a alta presión para evitar lesiones cuando la pistola retroceda.
- Regrese la manija de arranque lentamente a su posición original. NO permita que la cuerda regrese bruscamente hacia del arrancador.
  - Cuando arranque el motor, mueva lentamente la palanca del obturador a la posición "ABIERTO" a medida que el motor se calienta. Si el motor falla, mueva la palanca a la posición "CERRADO", y luego a la posición "ABIERTO" (Figura 28).

Figura 28 – Palanca del obturador



- Después de cada intento de arranque en que el motor no encienda, dirija la pistola pulverizadora hacia una dirección segura y apriete el gatillo para liberar la presión alta.
- Si el motor no arranca después de seis intentos, mueva la palanca a la posición "ABIERTO" y repita los pasos 6 a 10.

## ⚠ PELIGRO



La corriente de agua a alta presión que genera este equipo puede cortar la piel y tejidos subyacentes, causando lesiones graves y posible amputación. La pistola pulverizadora contiene agua a alta presión, incluso con el motor parado y el agua desconectada, que puede causar lesiones.

- NO permita que los niños operen la hidrolavadora o jueguen cerca de ella.
- Mantenga la manguera de alta presión conectada a la bomba y a la pistola pulverizadora mientras el sistema se encuentra presurizado.
- NUNCA apunte la pistola de rociado a personas, animales, dispositivos eléctricos o plantas. Puede resultar en graves.
- NO asegure la pistola pulverizadora en la posición abierta.
- NO abandone la pistola pulverizadora cuando la máquina está funcionando.
- NUNCA use una pistola pulverizadora que no tiene el seguro del gatillo o protección para gatillo en su lugar y en buenas condiciones.
- Siempre debe asegurarse de que la pistola pulverizadora, las boquillas y demás accesorios están correctamente colocados.

## ⚠ ADVERTENCIA



El contacto con la zona del silenciador puede resultar en quemaduras graves. El calor de los gases de escape puede encender combustibles, estructuras o dañar el tanque de combustible, causando un incendio.

- NO toque las superficies calientes y evite los gases de escape.
- Deje que el equipo se seque antes de tocarlo.
- Deje al menos 5 pies (152 cm) de espacio libre hacia todos los lados, incluida la parte superior.
- Es una violación al Código de Recursos Públicos de California, Sección 4442, utilizar u operar el motor en cualquier área cubierta de bosques, matorrales o hierba, a menos que el sistema de escape esté equipado con un apagachispas, tal como se define en la Sección 4442, mantenido en buenas condiciones de operación. Otros estados o jurisdicciones federales pueden tener leyes similares.
- Los repuestos deben ser iguales y estar instaladas en la misma posición que las piezas originales.

## SISTEMA DE ENFRIAMIENTO AUTOMÁTICO (ALIVIO TÉRMICO)

Si enciende el motor de su hidrolavadora durante 3 a 5 minutos sin presionar el gatillo de la pistola pulverizadora, el agua que circula en la bomba puede alcanzar temperaturas superiores a 125°F. El sistema enfría la bomba descargando agua caliente en el suelo.

## CÓMO APAGAR SU HIDROLAVADORA

- Libere el gatillo de la pistola pulverizadora.
- Lleve la palanca de control del obturador a la posición "BAJO" (tortuga) (Figura 29).

Figura 29 – Posición del obturador



Alto

Bajo

- Ponga el interruptor de ON/OFF del generador en la posición "OFF".
- SIEMPRE dirija la pistola pulverizadora en una dirección segura, apriete el gatillo para descargar el agua a alta presión. Trabe el seguro del gatillo cuando no esté en uso.
- Apague el suministro de agua.

**IMPORTANTE:** La pistola pulverizadora contiene agua a alta presión, incluso con el motor parado y el agua desconectada.

## ⚠ PELIGRO



La corriente de agua a alta presión que genera este equipo puede cortar la piel y tejidos subyacentes, causando lesiones graves y posible amputación. La pistola pulverizadora contiene agua a alta presión, incluso con el motor parado y el agua desconectada, que puede causar lesiones.

- Mantenga la manguera de alta presión conectada a la bomba y a la pistola pulverizadora mientras el sistema se encuentra presurizado.
- SIEMPRE dirija la pistola pulverizadora en una dirección segura y apriete el gatillo para descargar la presión, cada vez que pare el motor. Trabe el seguro del gatillo cuando no esté en uso.



## RECOMENDACIONES DE MANTENIMIENTO

El mantenimiento regular mejorará el desempeño y extenderá la vida útil de su hidrolavadora. Concurra a cualquier distribuidor calificador para realizar el servicio.

La garantía de la hidrolavadora no cubre los artículos que han sido sometidos a abuso o negligencia por parte del usuario. Para recibir el valor total de la garantía, el usuario deberá mantener la hidrolavadora como se indica en este manual, incluido el almacenamiento adecuado según se detalla en Almacenamiento en invierno y a largo plazo.

### NOTA:

**Si tiene preguntas acerca de cómo reemplazar componentes de su hidrolavadora, llame al 1-888-436-3722 para obtener asistencia.**

Son necesarios algunos ajustes periódicos para mantener adecuadamente su hidrolavadora.

Todos los servicios y ajustes deberán hacerse al menos una vez por estación. Siga los requisitos en el cuadro Cronograma de mantenimiento.

### NOTA:

**Una vez al año, usted deberá limpiar o reemplazar la bujía, limpiar o reemplazar el filtro de aire y comprobar que la pistola pulverizadora y el montaje de extensión para boquillas no estén desgastados. Una bujía nueva y un filtro de aire limpio aseguran la mezcla adecuada de combustible y aire y ayudan a que su motor funcione mejor y dure más tiempo.**

## CRONOGRAMA DE MANTENIMIENTO

Siga los intervalos de horas o días, lo que suceda primero. Se requiere un servicio más frecuente si se operan en condiciones adversas.

<b>Primeras 5 horas</b>
Cambio de aceite del motor
<b>Cada 8 horas o diariamente</b>
Verificar/limpiar el filtro de toma*
Verificar el estado de la manguera de alta presión
Verificar el estado de la manguera/filtro de descarga de detergente
Verificar que no hay fugas en la pistola pulverizadora o en el montaje
Limpieza de suciedad
Verificar el nivel de aceite en el motor
<b>Cada 20 horas o en cada estación</b>
Cambio de aceite del motor**
<b>Cada 50 horas o en cada estación</b>
Verificar/limpiar el filtro de aire**
Inspección del silenciador y el supresor de chispas*
<b>Cada 100 horas o en cada estación</b>
Servicio a la bujía
* Limpiar si está obstruido. Reemplazar si está perforado o rasgado.
** Realizar el servicio más a menudo si se operan bajo condiciones de mucha suciedad o polvo.

## BOMBA DE ACEITE

NO intente hacer mantenimiento de aceite a esta bomba. Este bomba está prelubricada y sellada de fábrica, por lo que no requiere mantenimiento adicional durante su vida útil.

## CONTROL DE EMISIONES

**El mantenimiento, la sustitución o reparación de los dispositivos y sistemas de control de emisiones pueden ser realizados por cualquier centro de reparación de motores o personalmente.** Sin embargo, para obtener servicio de control de emisiones "sin cargo", el trabajo debe ser realizado por un distribuidor autorizado. Consulte la Garantía de emisiones

## MANTENIMIENTO DE LA HIDROLAVADORA

### Limpieza de suciedad

Limpie la suciedad acumulada en el sistema de limpieza una vez al día o antes del uso. Mantenga los enlaces, resortes y controles limpios. Mantenga la zona alrededor y detrás del silenciador libre de suciedad de combustible. Revise las ranuras y aberturas del aire de enfriamiento de la hidrolavadora. Estas aberturas se deben mantener limpias y sin obstrucciones.

Las partes de la hidrolavadora se deben mantener limpias para reducir el riesgo de sobrecalentamiento e ignición de suciedad acumulada.

- Utilice un paño húmedo para limpiar las superficies exteriores.

### NOTA:

**El uso inadecuado de la hidrolavadora puede dañarla y acortar su vida útil.**

- NO inserte objetos a través de las ranuras de enfriamiento de la unidad.
- Utilice un cepillo de cerdas suaves para retirar la suciedad endurecida, aceite, etc.
- Utilice una aspiradora para retirar la basura y la suciedad sueltas.

## VERIFIQUE EL ESTADO Y LIMPIE EL FILTRO DE LA TOMA

Examine el filtro en la toma de agua de la bomba. Limpie el filtro si se encuentra obstruido, o reemplácelo si está dañado.

## VERIFIQUE EL ESTADO DE LAS MANGUERAS DE ALTA PRESIÓN

Las mangueras de alta presión pueden desarrollar fugas por el desgaste, dobleces o mal uso. Inspeccione las mangueras antes de usarlas. Busque cortes, fugas, abrasiones, levantamiento de la cubierta, daño o movimiento de los acoplamientos. Si encuentra alguna de estas condiciones, reemplace la manguera de inmediato.

### **⚠ PELIGRO**



**La corriente de agua a alta presión que genera este equipo puede cortar la piel y tejidos subyacentes, causando lesiones graves y posible amputación.**

- NUNCA repare la manguera de alta presión. Reemplácela.
- El rango de la manguera de reemplazo DEBE cumplir o exceder el rango máximo de presión de la unidad.

## VERIFIQUE EL ESTADO DEL TUBO DE DESCARGA DE DETERGENTE

Examine el filtro del tubo de detergente y límpielo si se encuentra obstruido. El tubo debe ajustar bien en la junta. Examine el tubo en busca de fugas o rasgaduras. Reemplace el filtro o tubo si están dañados.

## VERIFIQUE EL ESTADO DE LA PISTOLA PULVERIZADORA

Verifique que la conexión entre la pistola y la manguera es correcta. Presione el gatillo para probar si funciona correctamente; debe volver a su lugar cuando lo suelta. Reemplace la pistola de inmediato si no lo hace.

## MANTENIMIENTO DE LA BOQUILLA

Una sensación pulsante cuando aprieta el gatillo de la pistola puede ser causada por presión excesiva en la bomba. La principal causa de presión excesiva en la bomba es una boquilla obstruida o restringida por materiales extraños, como suciedad, etc. Para corregir el problema, limpie la boquilla inmediatamente siguiendo estas instrucciones:

1. Apague el motor y corte el suministro de agua.
2. SIEMPRE dirija la pistola pulverizadora en una dirección segura, apriete el gatillo para descargar el agua a alta presión.

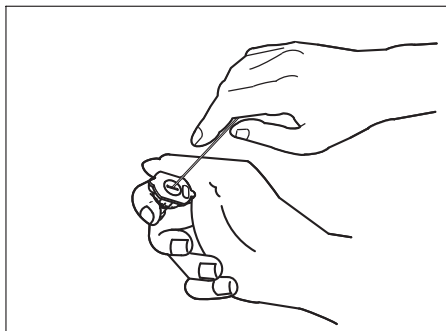
### ⚠ PELIGRO



La corriente de agua a alta presión que genera este equipo puede cortar la piel y tejidos subyacentes, causando lesiones graves y posible amputación. La pistola pulverizadora contiene agua a alta presión, incluso con el motor parado y el agua desconectada, que puede causar lesiones.

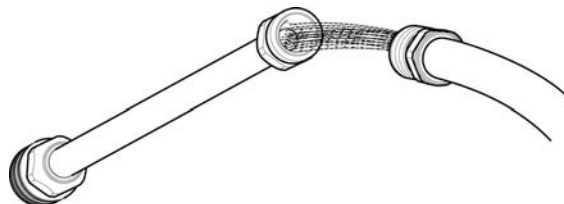
- Mantenga la manguera de alta presión conectada a la bomba y a la pistola pulverizadora mientras el sistema se encuentra presurizado.
  - SIEMPRE dirija la pistola pulverizadora en una dirección segura y apriete el gatillo para descargar la presión, cada vez que pare el motor. Trabe el seguro del gatillo cuando no esté en uso.
3. Retire la boquilla de la extensión.
  4. Use un pequeño sujetapapeles para retirar cualquier material extraño que esté tapando la boquilla (Figura 30).

Figura 30 – Retire los materiales extraños



5. Retire la lanza de la pistola pulverizadora.
6. Usando una manguera de jardín, quite la suciedad remanente enjuagando la lanza con agua a contracorriente. (Figura 31). Enjuague a contracorriente durante 30 a 60 segundos.

Figura 31 – Enjuague de la lanza



7. Vuelva a instalar la boquilla en la lanza.
8. Vuelva a conectar la lanza a la pistola pulverizadora.
9. Asegúrese de que la manguera de jardín está conectada a la toma de agua de la bomba. Verifique que la manguera de alta presión está conectada a la pistola pulverizadora y a la bomba. Encienda el agua.
10. Encienda el motor siguiendo las instrucciones Cómo encender su hidrolavadora.
11. Pruebe la hidrolavadora poniéndola en operación con cada una de las boquillas de conexión rápida.

## MANTENIMIENTO DEL MOTOR

### ⚠ ADVERTENCIA



Las chispas no intencionales pueden resultar en un choque eléctrico.

### AL HACER AJUSTES O REPARACIONES A SU HIDROLAVADORA

- Desconecte el cable de la bujía y colóquelo donde no puede hacer contacto con la bujía.

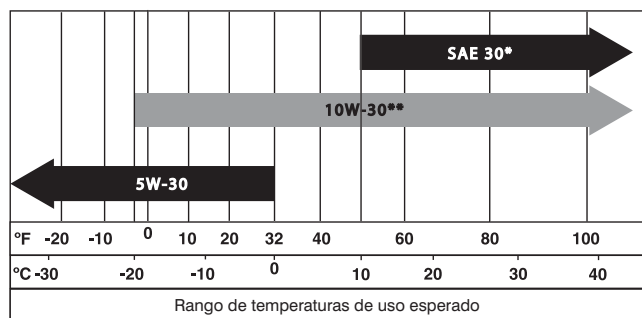
### AL PROBAR SI HAY CHISPAS EN EL MOTOR

- Use un probador aprobado para bujías.
- NO realice la prueba sin la bujía conectada.

## RECOMENDACIONES SOBRE EL ACEITE DEL MOTOR

Se recomienda el uso de aceites detergentes de alta calidad con clasificación de servicio SF, SG, SH, SJ o superior. NO use aditivos especiales.

Las temperaturas exteriores determinan la viscosidad adecuada del aceite para el motor. Use la tabla para seleccionar la mejor viscosidad para el rango de temperatura exterior previsto.



\* Por debajo de 50°F (10°C) el uso de aceite SAE 30 dará lugar a un arranque difícil.

\*\* Por encima de 80°F (27°C) el uso de aceite 10W30 puede aumentar el consumo de aceite. Compruebe el nivel de aceite más frecuentemente.

**NOTA:**

Un aceite sintético que cumpla con ILSAC GF-2, con marca de certificación API y el símbolo de servicio API con "CONSERVACIÓN DE ENERGÍA SJ/CF" o superior, es un aceite aceptable a todas las temperaturas. El uso de aceites sintéticos no altera los intervalos entre cambios.

**NOTA:**

El motor está equipado con un "Sistema de Alerta de Aceite". Este sistema detendrá automáticamente el motor antes de que el nivel de aceite sea inferior al valor seguro. Para evitar las molestias de una parada inesperada, compruebe siempre el nivel de aceite del motor antes de empezar.

## VERIFICACIÓN DEL NIVEL DE ACEITE

El nivel de aceite se debe verificar antes de cada uso o al menos cada 8 horas de operación. Mantenga el nivel de aceite.

1. Coloque el hidrolavadora sobre una superficie plana.
2. Limpie el área alrededor de la boca de llenado de aceite y limpie la varilla de aceite al quitar el tapón de llenado (Figura 32).
3. Compruebe que el nivel de aceite es el adecuado en la varilla.
4. Inserte la varilla en el cuello de llenado, pero no la atornille.
5. Reemplace y ajuste el tapón de la boca de llenado de aceite.

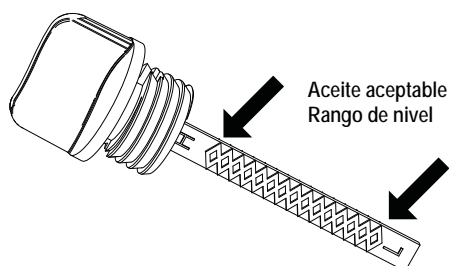
**Figura 32 – Llenado de aceite**



## CÓMO AGREGAR ACEITE AL MOTOR

1. Asegúrese de que la hidrolavadora esté en una superficie plana y nivelada.
2. Compruebe el nivel de aceite como se describe en Verificación del nivel de aceite.
3. De ser necesario, vierta aceite lentamente en la boca de llenado de aceite hasta que se alcance el nivel adecuado en la varilla.
4. Inserte la varilla en el cuello de llenado, pero no la atornille.
5. Si el nivel es bajo, llene hasta que el nivel de aceite esté entre "L" y "H" en la varilla de medición (Figura 33).
6. Reemplace y ajuste el tapón de la boca de llenado de aceite.

**Figura 33 - Varilla de medición**



## CAMBIO DEL ACEITE DEL MOTOR

Si usa su hidrolavadora bajo condiciones extremas de suciedad, o en climas muy calurosos, cambie el aceite más a menudo.

### ⚠ CUIDADO

**!** Evite el contacto prolongado o repetido de la piel con el aceite usado del motor.

- Se ha demostrado que el aceite de motor usado causa cáncer de piel en algunos animales de laboratorio.
- Lave las áreas expuestas con agua y jabón.

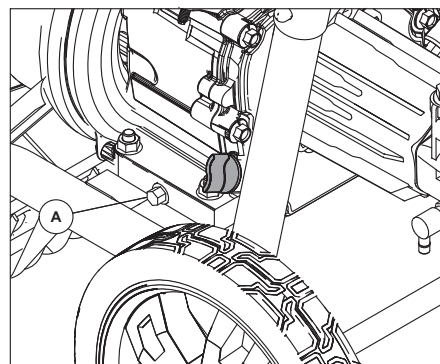
**!** MANTENER ALEJADO DEL ALCANCE DE LOS NIÑOS.

- No contamine. Conserve los recursos. Lleve el aceite usado a centros de recolección.

Cambie el aceite mientras el motor está caliente, como se indica a continuación:

1. Coloque el hidrolavadora sobre una superficie plana.
2. Desconecte el cable de la bujía y colóquelo donde no puede hacer contacto con la bujía.
3. Limpie el área alrededor del tapón de drenaje de aceite (A) (Figura 34). El tapón de drenaje de aceite se encuentra en la base del motor, en el lado opuesto al carburador.
4. Retire el tapón de la boca de llenado de aceite (Figura 32).
5. Retire el tapón de drenaje de aceite y drene el aceite completamente en un recipiente adecuado.
6. Coloque nuevamente el tapón y ajústelo.
7. Vierta lentamente el aceite (cerca de 20 oz.) en la boca de llenado hasta alcanzar el nivel adecuado en la varilla. NO sobrellene.
8. Coloque nuevamente el tapón. Ajústelo bien.
9. Limpie el aceite derramado.
10. Deshágase del aceite según las regulaciones locales.

**Figura 34 – Tapón de drenaje de aceite**



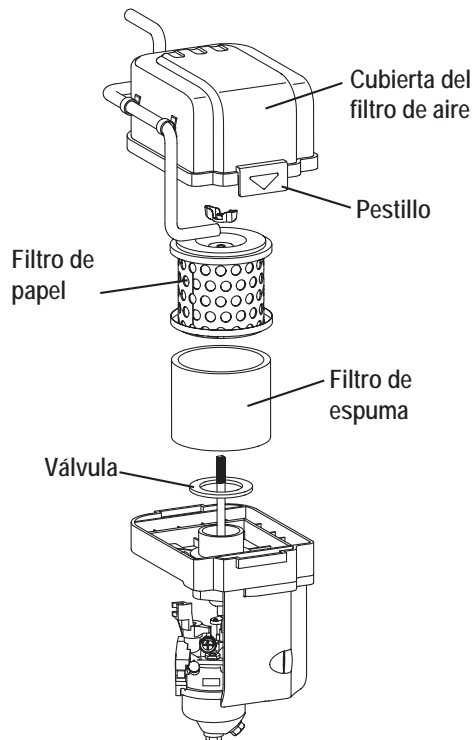
## SERVICIO DEL FILTRO DE AIRE

Su motor no funcionará correctamente y puede sufrir daños si se utiliza con un filtro de aire sucio. \*\* Realizar el servicio más a menudo si se opera bajo condiciones de mucha suciedad o polvo.

Para realizar el servicio al limpiador de aire, siga los siguientes pasos:

1. Tire del pestillo de la cubierta del filtro de aire y retire la cubierta (Figura 35)
2. Suelte la tuerca mariposa.
3. Retire cuidadosamente el conjunto de filtro.
4. Retire el filtro de espuma.
5. Para limpiar el filtro, golpee levemente en forma repetida sobre una superficie plana.
6. Vuelva a instalar el filtro de espuma.
7. Vuelva a instalar un conjunto de filtro limpio o nuevo.
8. Vuelva a instalar y apriete la tuerca mariposa.
9. Instale la cubierta trabando el pestillo cerrado.

**Figura 35 – Servicio del limpiador de aire**

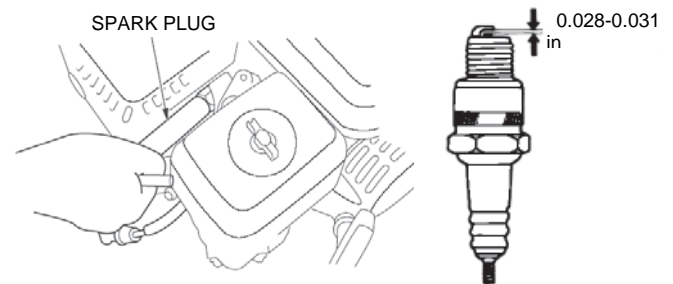


## SERVICIO A LA BUJÍA

Cambiar la bujía hará que su motor encienda más fácilmente y funcione mejor.

1. Limpie el área alrededor de la bujía
2. Retire e inspeccione la bujía (Figura 36).
3. Compruebe la separación entre electrodos con un calibre de alambre y restablézcalo a la medida recomendada si es necesario (ver especificaciones).
4. Cambie la bujía si los electrodos están picados o quemados o si la porcelana está rota. Use la bujía de reemplazo recomendada. Consulte las especificaciones.
5. Instale la bujía y ajústela.

**Figura 36 – Cambio de la bujía**



## INSPECCIÓN DEL SILENCIADOR Y EL SUPRESOR DE CHISPAS

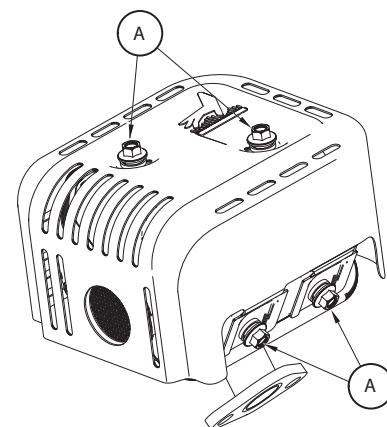
Inspeccione el silenciador en busca de grietas, corrosión u otros daños. Retire el supresor de chispas, de tenerla, e inspeccione en busca de daños o bloqueo de carbón. Si necesita partes de reemplazo, asegúrese de usar solamente repuestos originales.

### RETIRE EL TAMIZ DEL SUPRESOR DE CHISPAS

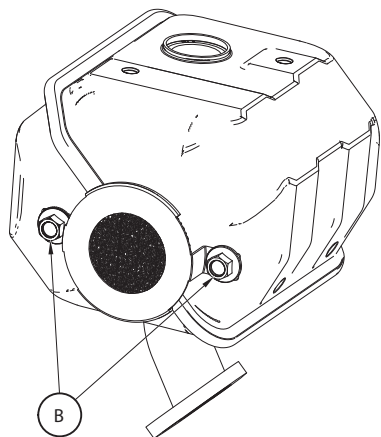
Herramientas requeridas: Llave cerrada de 8 mm

1. Retire el protector de calor del silenciador aflojando los cuatro (4) pernos (A) (Figura 37).
2. Retire el supresor de chispas del silenciador aflojando los dos (2) pernos (A) (Figura 38).
3. Inspeccione el supresor de chispas, sustitúyalo si está desgarrado, perforado o dañado de alguna otra forma (número de pieza 0K1851). NO USE un tamiz defectuoso.
4. Si el tamiz no se encuentra dañado, límpielo con algún solvente comercial y vuelva a colocarlo.

**Figura 37 - Retiro del protector de calor**



**Figura 38 - Retiro del supresor de chispas**



**⚠ ADVERTENCIA**



El contacto con la zona del silenciador puede resultar en quemaduras graves. El calor de los gases de escape puede encender combustibles, estructuras o dañar el tanque de combustible, causando un incendio.

- NO toque las superficies calientes y evite los gases de escape.
  - Deje que el equipo se enfríe antes de tocarlo.
  - Deje al menos 5 pies (152 cm) de espacio libre hacia todos los lados, incluida la parte superior.
  - Es una violación al Código de Recursos Públicos de California, Sección 4442, utilizar u operar el motor en cualquier área cubierta de bosques, matorrales o hierba, a menos que el sistema de escape esté equipado con un apagachispas, tal como se define en la Sección 4442, mantenido en buenas condiciones de operación. Otros estados o jurisdicciones federales pueden tener leyes similares.
- Póngase en contacto con el fabricante de equipos originales, vendedor o distribuidor para obtener un supresor de chispas diseñado para el sistema de escape instalado en este motor.
- Los repuestos deben ser iguales y estar instalados en la misma posición que las piezas originales.

## LUEGO DE CADA USO

El agua no debe permanecer en la unidad por períodos prolongados. Los sedimentos y minerales pueden depositarse en partes de la bomba y no permitir su acción. Siga estos procedimientos luego de cada uso:

1. Apague el motor, corte el suministro de agua, apunte la pistola en una dirección segura y apriete el gatillo para descargar la presión; deje enfriar el motor.

**⚠ PELIGRO**



La corriente de agua a alta presión que genera este equipo puede cortar la piel y tejidos subyacentes, causando lesiones graves y posible amputación. La pistola pulverizadora contiene agua a alta presión, incluso con el motor parado y el agua desconectada, que puede causar lesiones.

- Mantenga la manguera de alta presión conectada a la bomba y a la pistola pulverizadora mientras el sistema se encuentra presurizado.
  - SIEMPRE dirija la pistola pulverizadora en una dirección segura y apriete el gatillo para descargar la presión, cada vez que pare el motor. Trabe el seguro del gatillo cuando no esté en uso.
2. Desconecte las mangueras de la pistola y de salida de alta presión en la bomba. Drene el agua de las mangueras, la pistola y la lanza. Utilice un trapo para limpiar la manguera.
  3. Vacíe la bomba de todo líquido. Verifique que el interruptor ON/OFF del motor y la válvula están en posición OFF. A continuación, tire de la manija de retroceso cerca de seis veces. Esto debería eliminar la mayor parte del líquido de la bomba.
  4. Guarde la unidad en un área limpia y seca.
  5. Si no la va a usar por más de 30 días, consulte la sección Almacenamiento a largo plazo.

**⚠ ADVERTENCIA**



El combustible y sus vapores son extremadamente inflamables y explosivos. Un incendio o explosión pueden causar quemaduras graves o la muerte.

### AL ALMACENAR COMBUSTIBLE O EQUIPOS CON COMBUSTIBLE EN EL TANQUE

- Almacenar alejado de calderas, estufas, calentadores de agua, secadoras de ropa u otros aparatos electrodomésticos que posean luz piloto u otras fuentes de ignición, ya que pueden encender los vapores del combustible.

## ALMACENAMIENTO EN INVIERNO

**NOTA:**

### Debe proteger su unidad de temperaturas bajo cero.

- Si no lo hace, la bomba se dañará irreparablemente y la unidad no funcionará más.
- El daño por congelamiento no está cubierto en la garantía.

Para proteger la unidad de temperaturas bajo cero:

1. Siga los pasos 1 a 3 de la sección previa Luego de cada uso.
2. Use un protector de bomba. Esto minimiza el riesgo de daños y lubrica pistones y sellos.
3. Si no tiene un protector de bomba, conecte un trozo de 3 pies de manguera de jardín al adaptador de la toma de agua. Vierta anticongelante (sin alcohol) en la manguera. Tire dos veces de la manija de retroceso. Desconecte la manguera de 3 pies.
4. Guarde la unidad en un área limpia y seca.

## ALMACENAMIENTO A LARGO PLAZO

Si no va a usar la hidrolavadora por más de 30 días, debe preparar el motor y la bomba para su almacenamiento a largo plazo.

### PROTECCIÓN DEL SISTEMA DE COMBUSTIBLE

El combustible puede echarse a perder si se lo almacena por más de 30 días. El combustible en mal estado hace que se formen depósitos de ácido y goma en el sistema de combustible o en partes esenciales del carburador. Para mantener el combustible fresco, utilice un estabilizante de combustible, disponible como un aditivo líquido o un cartucho de goteo concentrado.

No es necesario drenar el combustible del motor si se ha utilizado un estabilizante de combustible de acuerdo con las instrucciones. Ponga el motor en funcionamiento durante 2 minutos para que el estabilizante circule por todo el sistema de combustible. El motor y el combustible se pueden almacenar hasta por 24 meses.

Si no se usó estabilizante de combustible, debe drenarse la gasolina y almacenarse en un recipiente adecuado. Mantenga el motor encendido hasta que se apague por falta de combustible. Para mantener el combustible en buen estado, se recomienda colocar estabilizante de combustible en el recipiente de almacenamiento.


### PROTEJA EL MOTOR

1. Cambie el aceite de motor.
2. Retire la bujía.
3. Vierta una cucharada sopera (5-10 cm<sup>3</sup>) de aceite de motor limpio en el cilindro.
4. Tire de la cuerda de arranque varias veces para distribuir el aceite en el cilindro.
5. Vuelva a instalar la bujía.
6. Tire de la cuerda de arranque lentamente hasta que sienta resistencia. Esto cerrará las válvulas de manera que la humedad no pueda ingresar en el cilindro del motor. Devuelva suavemente la cuerda de arranque.

### CAMBIO DE ACEITE

Mientras el motor todavía está caliente, drene el aceite del cárter del motor. Reemplace con el grado recomendado. Consulte: Cómo cambiar el aceite en Mantenimiento del motor.

### ⚠ CUIDADO

-  **El aceite caliente puede causar quemaduras. Permita que el motor enfríe antes de drenar el aceite. Evite una exposición prolongada o repetida de la piel con el aceite usado. Lave completamente las áreas expuestas con jabón.**

## PROTECCIÓN DE LA BOMBA

Para proteger la bomba contra daños causados por depósitos minerales o congelación, use PumpSaver o RV-antifreeze para tratar la bomba. Esto evita daño por congelación y lubrica los pistones y juntas.

- No hacerlo dañará permanentemente su bomba y pondrá su unidad en condición de inoperable.
- El daño por congelación no está cubierto por la garantía.


Para proteger la unidad de las temperaturas de congelación:

1. Siga los pasos 1-3 de la sección anterior, Después de cada uso.
2. Use protector para bombas para tratar la bomba. Esto minimiza los daños por congelación y lubrica los pistones y juntas.
3. Si no hay protector para bombas disponible, conecte una sección de manguera de jardín de 3 pies en el adaptador de entrada de agua. Vierta RV-antifreeze (anticongelante sin alcohol) en la manguera. Tire dos veces de la manija de la cuerda de arranque. Desconecte la manguera de 3 pies.
4. Almacene la unidad en una zona limpia y seca.

## OTRAS CONDICIONES DE ALMACENAMIENTO

1. NO guarde combustible de una temporada para otra, a menos que haya sido tratado como se describe en la sección Protección del Sistema de combustible.
2. Cambie el recipiente de combustible si comienza a oxidarse. El óxido y/o la suciedad en el combustible pueden causar problemas si se utilizan en esta unidad.
3. Cubra la unidad con una cubierta protectora adecuada que no retenga humedad.

### ⚠ ADVERTENCIA

-  **Las cubiertas para almacenamiento pueden ser inflamables.**
- NO cubra una hidrolavadora caliente con una cubierta para almacenamiento.
  - Deje enfriar el equipo durante el tiempo suficiente antes de colocar la cubierta.
4. Guarde la unidad en un área limpia y seca.

## TRANSPORTE E INCLINACIÓN DE LA UNIDAD

No haga funcionar, almacene o transporte la unidad con un ángulo mayor que 15 grados.

## GUÍA DE LOCALIZACIÓN Y CORRECCIÓN DE FALLAS

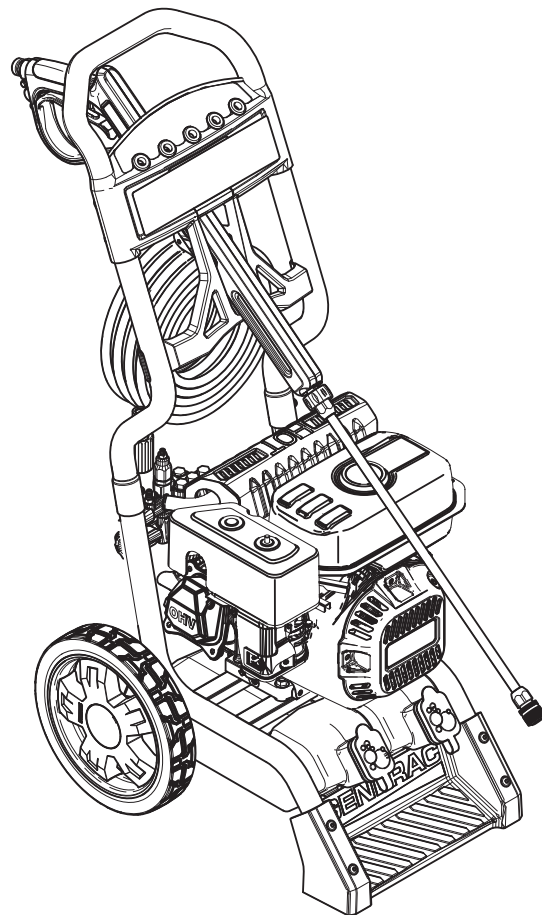
PROBLEMA	CAUSA	CORRECCIÓN
<b>La bomba tiene los siguientes problemas: No desarrolla presión, presión variable, traqueteo, pérdida de presión, bajo volumen de agua.</b>	<ol style="list-style-type: none"> <li>1. Boquilla de baja presión instalada.</li> <li>2. La toma de agua está bloqueada.</li> <li>3. Suministro inadecuado de agua.</li> <li>4. La manguera de entrada está doblada o tiene pérdidas.</li> <li>5. Filtro de manguera de entrada obstruido.</li> <li>6. El suministro de agua está por encima de 100°F.</li> <li>7. La manguera de alta presión está bloqueada o tiene pérdidas.</li> <li>8. La pistola pulverizadora tiene fugas.</li> <li>9. La boquilla está obstruida.</li> <li>10. La bomba está fallando.</li> </ol>	<ol style="list-style-type: none"> <li>1. Reemplácela con la boquilla de alta presión.</li> <li>2. Limpie la toma.</li> <li>3. Suministre el flujo de agua adecuado.</li> <li>4. Refuerce la manguera de entrada, emparche la pérdida.</li> <li>5. Verifique el estado y limpie el filtro de la toma.</li> <li>6. Proporcione un suministro de agua a temperatura más baja.</li> <li>7. Retire las obstrucciones en la manguera de salida o sustituya la manguera.</li> <li>8. Reemplace la pistola pulverizadora.</li> <li>9. Limpie la boquilla.</li> <li>10. Contacte al centro local de servicio.</li> </ol>
<b>El detergente no se mezcla con el aerosol.</b>	<ol style="list-style-type: none"> <li>1. El tubo de descarga de detergente no está sumergido.</li> <li>2. El tubo/filtro de descarga de detergente está obstruido o quebrado.</li> <li>3. Boquilla de alta presión instalada.</li> </ol>	<ol style="list-style-type: none"> <li>1. Coloque el tubo de descarga de detergente dentro del detergente.</li> <li>2. Limpie o reemplace el tubo/filtro de descarga de detergente.</li> <li>3. Reemplácela con la boquilla de baja presión.</li> </ol>
<b>El motor funciona bien sin carga pero "funciona mal", agregó cuando está cargado.</b>	<ol style="list-style-type: none"> <li>1. La velocidad del motor es muy baja.</li> </ol>	<ol style="list-style-type: none"> <li>1. Mueva el control del obturador a la posición RÁPIDA. Si el motor sigue funcionando mal, contacte al centro local de servicio.</li> </ol>
<b>El motor no arranca, o arranca y funciona mal.</b>	<ol style="list-style-type: none"> <li>1. Nivel de aceite bajo, "Sistema de alerta de aceite".</li> <li>2. Limpiador de aire sucio.</li> <li>3. Sin combustible.</li> <li>4. Combustible en mal estado.</li> <li>5. Cable de la bujía no conectado.</li> <li>6. Bujía en mal estado.</li> <li>7. Agua en el combustible.</li> <li>8. Mezcla muy rica en combustible.</li> </ol>	<ol style="list-style-type: none"> <li>1. Llene el cárter hasta el nivel adecuado.</li> <li>2. Limpie o reemplace el limpiador de aire.</li> <li>3. Llene el tanque de combustible.</li> <li>4. Vacíe el tanque de combustible y llénelo con combustible nuevo.</li> <li>5. Conecte el cable a la bujía.</li> <li>6. Reemplace la bujía.</li> <li>7. Vacíe el tanque de combustible y llénelo con combustible nuevo.</li> <li>8. Contacte al centro local de servicio.</li> </ol>
<b>El motor se apaga mientras está funcionando.</b>	<ol style="list-style-type: none"> <li>1. Sin combustible.</li> </ol>	<ol style="list-style-type: none"> <li>1. Llene el tanque de combustible.</li> </ol>
<b>Al motor le falta potencia.</b>	<ol style="list-style-type: none"> <li>1. Filtro de aire sucio.</li> </ol>	<ol style="list-style-type: none"> <li>1. Reemplace el filtro de aire.</li> </ol>





# Manuel d'entretien

## Laveuse à pression



## Table des matières

<b>Introduction.....</b>	<b>49</b>	<b>Entretien .....</b>	<b>63</b>
Où nous trouver .....	49	Recommandations d'entretien .....	63
<b>Règles de sécurité.....</b>	<b>49</b>	Programme d'entretien .....	63
Symboles de sécurité et leurs signification .....	49	Huile à pompe.....	63
<b>Informations générale.....</b>	<b>52</b>	Contrôle des émissions.....	63
Connaître Votre Nettoyeur Haute Pression .....	52	Entretien de la laveuse à pression .....	63
Spécifications du produit.....	53	Vérifier et nettoyer le filtre d'entrée de l'eau .....	63
Informations relatives aux émissions .....	53	Vérifier les tuyaux à haute pression .....	63
Fonctionnement à haute altitude .....	53	Vérifier le tuyau à siphon de détergent.....	64
Déballage.....	54	Vérifier le pistolet de pulvérisation .....	64
<b>Configuration .....</b>	<b>54</b>	Entretien de la buse.....	64
Assemblage .....	54	Entretien du moteur.....	64
Ajouter l'huile à moteur.....	55	Recommandations d'huile de moteur.....	64
Ajouter du carburant .....	55	Vérifier le niveau d'huile.....	65
Brancher le tuyau et l'approvisionnement d'eau à la pompe.....	56	Ajouter l'huile à moteur.....	65
Comment utiliser les buses .....	57	Changer l'huile à moteur.....	65
Nettoyer et utiliser du détergent.....	58	Entretien du filtre à air .....	66
Rinçage de la laveuse à pression.....	59	Entretien de la bougie d'allumage .....	66
Nettoyer le tuyau à siphon de détergent.....	59	Vérifier le pot d'échappement et le pare-étincelles.....	66
<b>Fonctionnement .....</b>	<b>60</b>	Dépose de l'écran pare-étincelles .....	66
Fonctionnement .....	60	Après chaque utilisation .....	67
Emplacement de la laveuse à pression .....	60	Entreposage d'hiver.....	68
Liste de contrôle avant de démarrer le moteur .....	60	Entreposage à long terme .....	68
Comment démarrer votre laveuse à pression.....	60	Protéger le système d'alimentation en carburant .....	68
Système de refroidissement automatique (Suppression thermique) .....	62	Protection du moteur.....	68
Comment arrêter votre laveuse à pression.....	62	Changer d'huile .....	68
		Protéger la pompe.....	68
		Autres instructions d'entreposage.....	68
		Transport/inclinaison de l'appareil.....	68
		<b>Dépannage.....</b>	<b>69</b>
		Guide de Dépannage .....	69

## INTRODUCTION

Merci d'avoir acheté cette laveuse à pression fabriquée par Generac Power Systems, Inc. Ce modèle est une laveuse à pression entraînée par moteur, à haute performance, refroidie à l'air, qui fonctionne entre 2500 et 3100 psi selon le modèle acheté. Les appareils comprennent des roues personnalisées, une pompe axiale à cames avec des pistons en acier inoxydable, un système de refroidissement automatique, des buses à raccordement rapide, un tuyau à haute pression, un tuyau siphon pour détergent et des réservoirs de produits chimiques selon le modèle unitaire.

**Le sens commun et le respect strict des instructions spéciales sont essentiels pour éviter les accidents.** L'opérateur doit lire ce manuel et comprendre complètement toutes les instructions avant d'utiliser cet équipement. En cas d'incompréhension d'une partie du manuel, contacter le dépositaire agréé le plus proche pour connaître les procédures de démarrage, de fonctionnement et d'entretien. Le propriétaire est responsable de l'utilisation correcte et sûre de l'équipement.

La laveuse à pression peut fonctionner en toute sécurité, de façon efficace et de façon fiable uniquement si elle est correctement installée, utilisée et entretenue. Avant d'utiliser, entretenir ou entreposer la laveuse à pression :

- Lire attentivement tous les avertissements de sécurité figurant dans ce manuel et sur le produit.
- Se familiariser avec ce manuel et l'unité avant de l'utiliser.
- Consulter la section Assemblage du manuel pour les instructions sur les procédures d'assemblage final. Suivre les instructions complètement.

Le fabricant ne peut pas anticiper toutes les situations possibles qui peuvent impliquer un danger. Les avertissements de ce manuel et figurant sur les étiquettes et les autocollants apposés sur l'unité ne sont, toutefois, pas exhaustifs. Si vous suivez une procédure, une méthode de travail ou une technique de fonctionnement que le fabricant ne recommande pas en particulier, assurez-vous qu'elle est sans danger pour les autres. S'assurer que la procédure, la méthode de travail ou la technique de fonctionnement choisie ne rende pas la laveuse à pression dangereuse.

LES INFORMATIONS CONTENUES DANS LE PRÉSENT MANUEL SE BASENT SUR LES MACHINES EN PRODUCTION AU MOMENT DE LA PUBLICATION. GENERAC SE RÉSERVE LE DROIT DE MODIFIER CE MANUEL À TOUT MOMENT.

**Conservez ces instructions pour référence future. Si vous prêtez cet appareil à quelqu'un, prêtez-lui TOUJOURS ces instructions ET le Manuel du propriétaire aussi.**

## OÙ NOUS TROUVER

Vous pouvez contacter le Service à la clientèle de Generac par téléphone au 1-888-436-3722, ou sur l'Internet à [www.generac.com](http://www.generac.com) Écrivez les informations importantes de l'unité dans le tableau ci-dessous pour une référence future et / ou demandes de service.

Numéro de modèle	
Numéro de série	
Date d'achat	

## RÈGLES DE SÉCURITÉ

Des encarts DANGER, AVERTISSEMENT, ATTENTION et REMARQUE apparaissent ponctuellement dans cette publication ainsi que sur les étiquettes et autocollants fixés à la laveuse à pression pour attirer l'attention du personnel sur des consignes propres à certaines opérations pouvant présenter des risques si elles sont réalisées de manière incorrecte ou attentive. Respectez-les à la lettre. Voici leur définition :

### ⚠ DANGER

Indique une situation ou une action dangereuse qui, si elle n'est pas évitée, entraînera la mort ou des blessures graves.

### ⚠ AVERTISSEMENT

Indique une situation ou une action dangereuse qui, si elle n'est pas évitée, pourrait entraîner la mort ou des blessures graves.

### ⚠ ATTENTION

Indique une situation ou une action dangereuse qui, si elle n'est pas évitée, entraînera des blessures légères ou modérées.

### REMARQUE :

**Les remarques contiennent des informations supplémentaires importantes relatives à une procédure et se trouvent dans le corps de texte régulier de ce manuel.**

Ces avertissements de sécurité ne peuvent pas éliminer les dangers qu'ils signalent. Le sens commun et le respect strict des instructions spéciales lors de l'action ou l'entretien sont essentiels pour éviter les accidents.

## SYMBOLES DE SÉCURITÉ ET LEURS SIGNIFICATION



Fumées toxiques



Effet rebond



Choc électrique



Surface glissante



Chute



Injection de liquide



Feu



Explosion



Manuel d'instructions



Pièces amovibles



Objets volants



Surface chaude

## Règles de sécurité

**! DANGER : Le monoxyde de carbone produit lors de l'utilisation PEUT TUER en quelques minutes. NE JAMAIS utiliser à l'intérieur, dans un véhicule, ou dans d'autres zones abritées MÊME SI les portes et les fenêtres sont ouvertes. Utiliser uniquement à l'EXTÉRIEUR et loin des fenêtres, portes et événements.**



**Certains produits chimiques ou détergents peuvent être dangereux et, s'ils sont inhalés ou ingérés, provoquer des nausées importantes, des évanouissements ou des empoisonnements.**

- Utiliser le nettoyeur EXCLUSIVEMENT en extérieur.
- Un moteur en marche émet du monoxyde de carbone.
- Le monoxyde de carbone est un gaz toxique, inodore et invisible. Respirer du monoxyde de carbone peut causer des céphalées, fatigue, vertiges, vomissements, confusion, une attaque, des nausées, d'évanouissements ou la mort. Si vous commencez à éprouver un de ces symptômes, passez IMMÉDIATEMENT à un endroit avec de l'air frais. Consulter un médecin.
- Empêcher les gaz d'échappement d'entrer dans un espace confiné par les fenêtres, les portes, les entrées d'air ou d'autres ouvertures. Avertir aux occupants à l'intérieur sur les symptômes du monoxyde de carbone pour qu'ils savent qu'ils doivent se déplacer à un endroit avec de l'air frais s'ils commencent à se sentir mal.
- L'utilisation d'un détecteur de monoxyde de carbone à l'intérieur d'un local occupé entre la laveuse à pression et l'occupant est recommandé.
- NE JAMAIS démarrer ou faire fonctionner le moteur dans un espace clos ou à l'intérieur, dans un véhicule, MÊME SI les portes et les fenêtres sont ouvertes.
- S'il y a un risque d'inhalation de vapeurs, utiliser un appareil ou un masque respiratoire.
- Lire soigneusement les instructions d'emploi du masque ou du respirateur afin d'être certain qu'il protège efficacement contre l'inhalation de vapeurs dangereuses. Si vous commencez à éprouver un des symptômes du monoxyde de carbone, passez IMMÉDIATEMENT à un endroit avec de l'air frais.

**! DANGER : NE JAMAIS diriger le pistolet de pulvérisation vers les personnes, les animaux ou les dispositifs électriques. Des blessures sérieuses ou la mort surviendront. TOUJOURS diriger le pistolet de pulvérisation dans une direction sécuritaire, presser la gâchette du pistolet de pulvérisation pour relâcher la haute pression chaque fois que vous arrêtez le moteur. Engager le verrou de la gâchette lorsqu'il n'est pas utilisé**



- Le jet d'eau à haute pression produit par cet appareil peut percer la peau et ses tissus sous-jacents, pouvant mener à des blessures sérieuses, une possible amputation ou la mort. Le pistolet de pulvérisation retient la haute pression de l'eau, MÊME LORSQUE le moteur est arrêté et l'eau est débranchée, ce qui peut causer des blessures.
- NE JAMAIS laisser les ENFANTS utiliser la laveuse à pression ou jouer à proximité. Cet outil n'est PAS un jouet.
- NE JAMAIS tenter de réparer le tuyau à haute pression. Le remplacer.
- Ne JAMAIS réparer les connexions qui fuient avec un mastic d'étanchéité. Remplacer le joint torique ou le joint.
- NE JAMAIS brancher le tuyau à haute pression à la rallonge de buse.
- Toujours garder le tuyau à haute pression raccordé à la pompe et au pistolet de pulvérisation lorsque le système est sous pression.
- NE JAMAIS sécuriser le pistolet de pulvérisation à la position ouverte.
- NE JAMAIS laisser le pistolet de pulvérisation sans surveillance lorsque l'appareil est en fonctionnement.
- NE JAMAIS utiliser un pistolet de pulvérisation qui n'a pas de verrouillage de gâchette ou une protection de gâchette en place et en état de fonctionnement.
- TOUJOURS s'assurer que le pistolet de pulvérisation, les buses et les accessoires sont bien fixés.

**! AVERTISSEMENT : Risque d'électrocution.**



**Le contact avec une source d'alimentation peut provoquer un choc électrique ou des brûlures.**

- NE JAMAIS pulvériser près d'une source d'alimentation.

**! AVERTISSEMENT : Le contact avec la zone du pot d'échappement peut provoquer des blessures sérieuses. La chaleur/les gaz d'échappement peuvent enflammer les combustibles, des structures ou endommager le réservoir de carburant provoquant un incendie.**



- NE PAS toucher les pièces chaudes et ÉVITER les gaz d'échappement chauds.
- Laisser l'équipement refroidir avant d'y toucher.
- Conserver un débattement d'au moins 152 cm autour du nettoyeur haute pression, y compris au-dessus du nettoyeur.



- L'utilisation ou le fonctionnement du moteur sur tout terrain couvert de forêt, broussailles ou herbes, est une violation du Code de ressources publiques de l'État de la Californie, Section 4442, à moins que le système d'échappement est équipé d'un pare-étincelles, tel que défini dans la Section 4442, maintenu en bon état de fonctionnement. D'autres États ou juridictions fédérales peuvent avoir des lois similaires.

Contactez le fabricant de l'appareil d'origine, le distributeur ou le dépositaire afin d'obtenir un pare-étincelles conçu pour le système d'échappement installé sur ce moteur.

- Les pièces de rechange doivent être les mêmes et installées dans la même position que les pièces originelles.

**! AVERTISSEMENT : Le carburant et ses vapeurs sont extrêmement inflammables et explosives. Un incendie ou une explosion peut provoquer des brûlures graves ou la mort.**



**AU MOMENT D'AJOUTER OU VIDER LE CARBURANT**

- Éteindre la laveuse à haute pression et laisser refroidir au moins 2 minutes avant de retirer le capuchon du carburant. Dévissez le capuchon pour libérer la pression du réservoir.



- Remplir ou vider le réservoir de carburant à l'extérieur.
- NE PAS trop remplir le réservoir. Laisser de la place pour l'expansion du carburant.
- S'il y a des fuites de carburant, attendez qu'elles s'évaporent avant de démarrer le moteur.
- Gardez le carburant éloigné des étincelles, des flammes, d'une lumière pilote, la chaleur et de toute autre source de combustion.
- NE PAS allumer de cigarettes, ni fumer.

**LORSQUE VOUS DÉMARREZ L'APPAREIL**

- Assurez-vous que la bougie, le pot d'échappement, le capuchon du carburant et le filtre à air sont en place.
- NE PAS démarrer le moteur avec la bougie d'allumage enlevée.

**UTILISATION DE L'ÉQUIPEMENT**

- NE JAMAIS incliner le moteur ni l'équipement au point que l'essence se mette à couler.
- NE PAS vaporiser de liquides inflammables.

**TRANSPORT ET RÉPARATION DE L'ÉQUIPEMENT**

- VIDER le réservoir et FERMER le robinet d'essence pour transporter et réparer l'équipement.
- Débrancher le fil de la bougie d'allumage.

**ENTREPOSAGE D'ESSENCE OU D'UN ÉQUIPEMENT DONT LE RÉSERVOIR CONTIENT DE L'ESSENCE.**

- NE PAS entreposer à proximité de fours, poêles, chauffe-eau, sèche-linge ou d'autres appareils susceptibles de comporter une veilleuse ou une source potentielle d'inflammation des vapeurs d'essence.

**AVERTISSEMENT : L'utilisation de la laveuse à pression peut créer des flaques et les surfaces glissantes. Le rebond du pistolet de pulvérisation peut vous faire tomber.**

- Utiliser uniquement sur une surface équilibrée.
- La pente et le drainage de l'aire de nettoyage doivent être suffisants pour réduire le risque de chute accru sur des surfaces glissantes.
- Ne pas utiliser sur une surface élevée où les probabilités d'un effet rebond pourraient entraîner d'une chute grave.
- Tenez fermement le pistolet de pulvérisation à deux mains lors de l'utilisation du jet à haute pression pour éviter des blessures quand le pistolet de pulvérisation fait un effet de rebond.

**AVERTISSEMENT : Le démarreur et les autres pièces en rotation peuvent attraper les mains, les cheveux, les vêtements ou les accessoires.**

- NE JAMAIS utiliser une laveuse à pression sans le capot ou de les couvercles protecteurs.
- NE PAS porter de vêtements amples, de bijoux ni d'autres effets qui pourraient être happés par le démarreur ou les autres pièces en rotation.
- Retenir les cheveux longs en chignon et retirer les bijoux.

**AVERTISSEMENT : L'effet de rebond de la corde du démarreur (réaction rapide) peut entraîner des blessures corporelles. Le rebond va tirer la main et le bras vers le moteur plus rapidement que ce que vous pourrez laisser aller. Vous pouvez souffrir des fractures, des bleus ou des entorses.**

- NE JAMAIS tirer sur le cordon de démarrage sans relever premièrement la pression du pistolet de pulvérisation.
- Pour relâcher la pression retenue, pointer le pistolet une direction sans danger et relâcher la pression en tirant / actionnant la gâchette du pistolet de pulvérisation.
- Lors du démarrage du moteur, tirer lentement sur la corde jusqu'à sentir une résistance, puis tirer rapidement afin d'éviter l'effet de recul.
- Après chaque tentative de démarrage, lorsque le moteur ne démarre pas, toujours pointer le pistolet dans une direction sans danger et appuyer sur la détente pour libérer la haute pression d'eau.
- Tenez fermement le pistolet de pulvérisation à deux mains lors de l'utilisation du jet à haute pression pour éviter des blessures quand le pistolet de pulvérisation fait un effet de rebond.

**AVERTISSEMENT : La production involontaire d'étincelles peut provoquer un incendie ou une électrocution.**

**POUR RÉGLER OU RÉPARER LE NETTOYEUR HAUTE PRESSION.**

- Débrancher le fil de bougie d'allumage et l'écartier de sorte qu'il ne puisse toucher la bougie.

**LORS DES ESSAIS D'ALLUMAGE**

- Utiliser un testeur de bougie d'allumage approuvé.
- NE PAS vérifier l'étincelle avec la bougie d'allumage enlevée.

**AVERTISSEMENT : Risque de blessure aux yeux. Le jet peut éclabousser ou propulser des objets.**

- Toujours porter des lunettes de sécurité lors de l'utilisation de ce matériel ou dans la zone où ce matériel est utilisé.
- Avant de démarrer le nettoyeur haute pression, veiller à porter des lunettes de sécurité adaptées.
- NE JAMAIS substituer les verres de sécurités par des lunettes de sécurité.

**AVERTISSEMENT : D'après l'État de Californie, l'échappement du moteur de ce produit contient des substances chimiques susceptibles d'être cancérigènes, de causer des anomalies congénitales ou d'autres problèmes reproductifs.**

**AVERTISSEMENT : D'après l'État de Californie, ce produit contient du plomb et des mélanges de plomb susceptibles de causer des anomalies congénitales ou d'autres problèmes reproductifs. Laver soigneusement vos mains après avoir manipulé ce produit.**

**REMARQUE :**

**Le jet à haute pression peut endommager les objets fragiles comme le verre.**

- NE PAS pointer le pistolet de pulvérisation vers le verre lors de l'utilisation de la buse rouge MAX (0 °).
- NE JAMAIS diriger le pistolet de pulvérisation vers les personnes, les animaux, les dispositifs électriques ou les plantes.

**REMARQUE :**

**Un traitement inadéquat de la laveuse à pression peut l'endommager et réduire sa durée de vie utile.**

- Si vous avez des questions concernant les utilisations prévues, demandez au dépositaire ou contactez un centre de services qualifié.
- Ne JAMAIS utiliser un appareil dont des pièces sont cassées, manquantes ou non munies de leur capot ou de leurs couvercles protecteurs.
- NE neutraliser AUCUN dispositif de sécurité de cette machine.
- NE PAS faire fonctionner le nettoyeur à une pression supérieure à la pression nominale.
- NE MODIFIEZ PAS en aucune façon, la laveuse à pression.
- Par temps froid, avant de démarrer le nettoyeur à haute pression, vérifier tous ses éléments pour vérifier l'absence de gel.
- Ne JAMAIS utiliser le tuyau à haute pression comme poignée pour déplacer l'appareil. Toujours utiliser pour cela la poignée de l'appareil.
- Vérifier la présence de fuites ou de signes de détérioration du circuit de carburant, comme un tuyau usé ou spongieux, des brides deserrées ou manquantes, ou un réservoir ou un capuchon endommagé. Réparer toutes les déficiences avant d'utiliser la laveuse à pression.
- Cet appareil est conçu pour être utilisé avec les pièces autorisées de Generac SEULEMENT. Si l'équipement est utilisé avec des pièces qui NE sont PAS conformes aux caractéristiques minimales, tous les risques et responsabilités incomberont à l'utilisateur.

### CONNAÎTRE VOTRE LAVEUSE À PRESSION

Lisez ce manuel d'instructions et les règles de sécurité avant d'utiliser votre laveuse à haute pression.

Si vous prêtez cet appareil à quelqu'un, prêtez-lui TOUJOURS ces instructions ET le Manuel du propriétaire aussi. Comparez les illustrations avec votre laveuse à haute pression afin de vous familiariser avec l'emplacement des différents contrôles (Figure 1). Gardez ce manuel pour consultation future. Les manuels du propriétaire de remplacement peuvent être imprimés à partir du site Web de Generac.

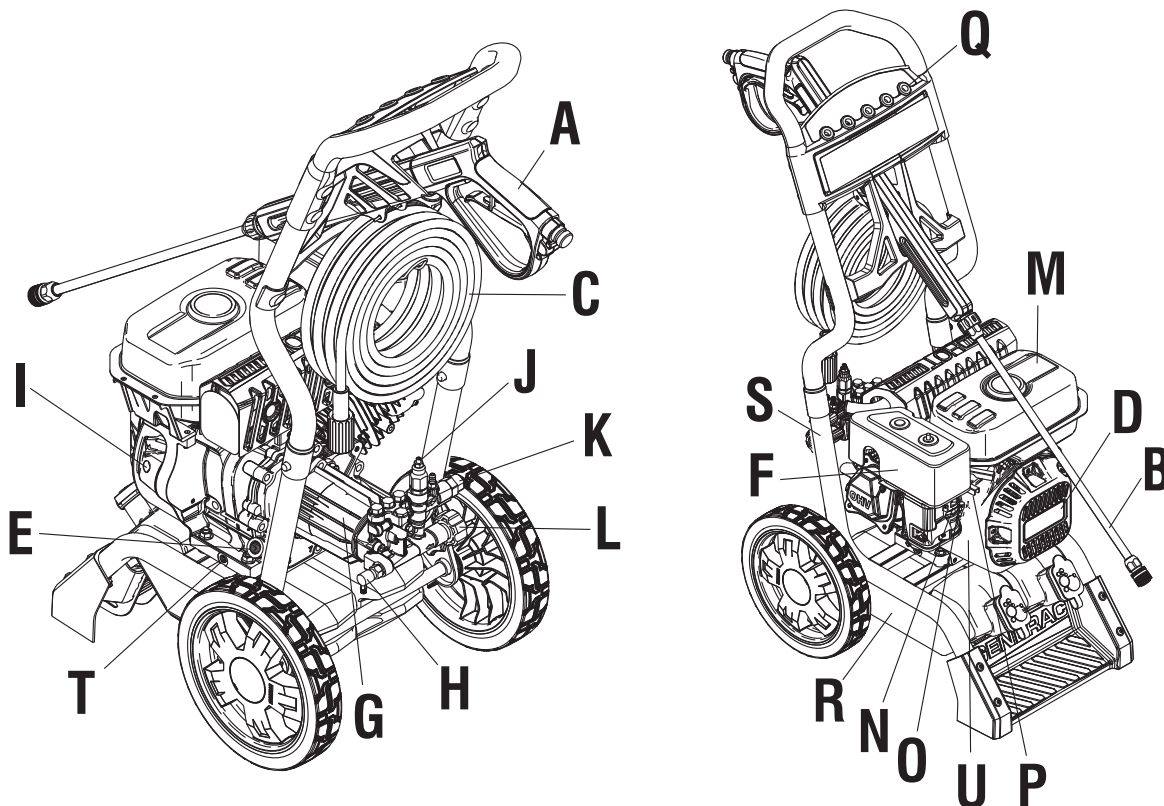
- A - Pistolet de pulvérisation** – Contrôle l'application d'eau sur la surface à nettoyer avec la gâchette à vapeur. Comprend un blocage pour la gâchette à vapeur.
- B - Lance avec raccord rapide** – Vous permet de changer entre les différentes buses.
- C - Tuyau à haute pression** – Branchez une extrémité à la pompe d'eau et l'autre au pistolet de pulvérisation.
- D - Lanceur à rappel** – Pour mettre le moteur en marche.
- E - Réservoir d'huile** – Vérifiez et ajoutez de l'huile à moteur.
- F - Filtre à air** – Protège le moteur en filtrant la poussière et les débris de l'air d'admission.
- G - Pompe** – Développe la haute pression.
- H - Soupape de suppression thermique** – Possède un cycle d'eau à travers la pompe ; quand l'eau atteint 125 ° F, l'eau se décharge de la pompe sur le terrain. Ceci empêche des dommages internes de la pompe.
- I - Interrupteur On/Off (Marche/Arrêt) du moteur** – Mettez l'interrupteur à la position « ON » avant d'utiliser le lanceur à rappel. Mettez l'interrupteur à la position « OFF » pour arrêter le moteur.

- J - Soupape de marche à vide** – Contrôle la sortie de haute pression.
- K - Sortie haute pression** – Raccord pour le tuyau à haute pression.
- L - Entrée d'eau** – Raccord pour le tuyau d'arrosage.
- M - Réservoir de carburant** – Remplissez le réservoir avec de l'essence sans plomb. Toujours laisser de la place pour l'expansion du carburant.
- N - Interrupteur On/Off (Marche/Arrêt) du carburant** – Met l'alimentation en carburant vers le moteur en marche ou en arrêt.
- O - Étrangleur** – Prépare un moteur froid pour le démarrage.
- P - Levier de régulateur** – Augmente ou diminue la vitesse du moteur. L'accélérateur doit être au maximum lorsque la laveuse à pression est utilisée.
- Q - Buses** – Injection de produits chimiques, 0 °, 15 °, 25 °, 40 ° pour les diverses nettoyages à haute pression.
- R - Réservoir de produits chimiques** – Utilisé pour contenir les détergents sécuritaires de la laveuse à pression qui sont siphonnés dans le jet à basse pression. (certaines appareils peuvent ne pas être équipés de réservoirs ou peuvent avoir un réservoir).
- S - Instructions de fonctionnement/avertissement** – Identifie la procédure appropriée pour démarrer / arrêter la laveuse à pression.
- T - Capuchon de vidange** – Utilisé pour drainer l'huile à moteur.
- U - Emplacement du numéro de série**

#### ARTICLES NON MONTRÉS

- Étiquette d'identification (sur le boîtier de ventilateur du moteur) – Fournit le modèle et le numéro de série de la laveuse à pression. Tenir ces renseignements à disposition lors d'un appel pour assistance.
- Filtre/Tuyau à siphon pour détergent – Utilisé pour siphonner les détergents sécuritaires de la laveuse à pression dans le jet à basse pression.

Figure 1 - Caractéristiques et contrôles



## SPÉCIFICATIONS DU PRODUIT

<b>CONSOmmATEUR</b>			
Pression - (PSI / BAR)	2500/172	2700/186	3100/213
Débit - (GPM/LPM)	2.3/8.7		2.7/10.2
Température de l'eau - (°F / C°)	100/38 Max.		
Longueur du tuyau - (Pieds/Mètres)	25/7.6	25/7.6	30/9.1
Réservoir(s) de produits chimiques - Nombre par appareil	0	1	2
Réservoir de produits chimiques - Capacité (Gal/Litres)	S/O	0.75/2.8	0.75/2.8
Busés - Nombre par appareil	3	4	5
Longueur de la lance (pouces/cm)	20/51		
Pistolet	Standard		De luxe
Déplacement du moteur - (pouce cube/cc)	11.9/196		12.9/212
Bougie d'allumage de type	F7TC ou équivalent		
Écartement de bougie d'allumage - (Pouces/mm)	0,028-0,031/0,70-0,80		
Capacité de carburant - (Quarts/Litres)	3.7/3.5		
Capacité de carburant - (Onces/Litres)	20/0.6		
Système d'arrêt d'huile basse	Oui		
Interrupteur marche/arrêt	Oui		

## INFORMATIONS RELATIVES AUX ÉMISSIONS

L'Agence de protection de l'environnement des États-Unis (et le Comité des ressources de l'air de la Californie pour l'équipement certifié selon les normes CA) exige que ce moteur respecte les normes d'émissions d'échappement et par évaporation. Repérez l'étiquette sur la conformité aux normes d'émissions apposée sur le moteur pour déterminer les normes respectées par le moteur et à quelles émissions la garantie s'applique. Ce moteur est certifié pour les normes d'émission applicables sur l'essence. Il est important de respecter les spécifications d'entretien décrites dans la section Entretien afin que le moteur continue à respecter les normes d'émission applicables pendant toute la durée de sa vie. Ce moteur utilise les paramètres d'une carburation pauvre ainsi que d'autres systèmes permettant de réduire les émissions. Toute manipulation ou altération du système de contrôle des émissions risque d'augmenter ces dernières et de constituer une infraction aux lois fédérales ou de la Californie. Ce qui suit constitue une liste non exhaustive des actions assimilées à des manipulations :

- dépose ou altération de toute pièce des systèmes d'admission, d'échappement ou de carburant
- l'altération ou la défaillance de la tringlerie du régulateur ou du mécanisme de régulation de vitesse qui provoquerait le fonctionnement du moteur hors des paramètres pour lesquels il est conçu

Si vous avez connaissance de l'un des symptômes suivants, faites vérifier et réparer votre moteur par votre centre de réparation :

- démarrage difficile ou calage après le démarrage
- ralenti irrégulier
- ratés d'allumage ou effets de retour de flamme en charge
- postcombustion (retour de flamme)
- fumée d'échappement noire ou importante consommation de carburant

## FONCTIONNEMENT À HAUTE ALTITUDE

Le système de carburant de ce moteur peut être sensible à un fonctionnement à haute altitude. Vous pouvez garantir son bon fonctionnement en installant une trousse pour utilisation en altitude lorsque cela est nécessaire. Consultez le tableau suivant pour savoir quand une trousse pour utilisation en altitude est nécessaire. Si la trousse d'altitude adaptée n'est pas installée, le fonctionnement de ce moteur peut augmenter les émissions du moteur et réduire les économies de carburant et les performances. Les trousse peuvent être achetées auprès de tout concessionnaire et doivent être installées par une personne qualifiée.

*Plage des altitudes	Référence de trousse	PSI
0 - 1523 m (0 - 5 000 pi)	Inutile	2500/2700/3100
1523 - 2 133 m (5 000 - 7 000 pi)	OK2015	2500/2700
1523 - 2 133 m (5 000 - 7 000 pi)	OK2016	3100
*Hauteur au-dessus du niveau de la mer.		

### REMARQUE :

**Si la trousse d'altitude doit être installée et que le moteur doit fonctionner à une altitude où celui-ci n'est pas requis, il est nécessaire de remettre le moteur dans sa configuration d'origine. Le fait de faire fonctionner le moteur à des altitudes inférieures lorsque la trousse est installée peut provoquer sa surchauffe et sérieusement l'endommager; cela peut également réduire les performances et augmenter les émissions.**

## DÉBALLAGE

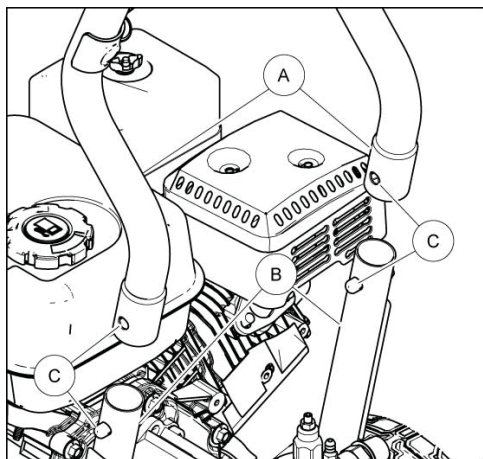
1. Sortir tous les accessoires et composants livrés avec la laveuse à pression.
2. Ouvrez la boîte complètement en coupant tous les coins du haut vers le bas.
3. Assurez-vous d'avoir tous les pièces incluses avant l'assemblage.
  - Unité principale
  - Assemblage de la manette
  - Tuyau à haute pression
  - Filtre et tuyau à siphon
  - Pistolet de pulvérisation
  - Lance avec raccord rapide
  - Bouteille d'huile
  - Armature de crochet du tuyau
  - Sac à pièces (comprend les pièces suivantes :
    - Capuchon du réservoir de produits chimiques avec trou si le modèle est équipé d'un réservoir de produits chimiques
    - Manuel d'instructions
    - Carte d'enregistrement du propriétaire
    - Sac contenant les buses à code de couleur
4. S'il vous manque un article de votre boîte, veuillez appeler le Service à la clientèle de Generac au 1-888-436-3722. Quand vous appelez, veuillez avoir le modèle et le numéro de série de l'étiquette de données.
5. Complétez et envoyez la fiche d'enregistrement. Écrivez le numéro de modèle, le numéro de série et la date d'achat dans le tableau qui se trouve à la section « Où nous trouver ».

## ASSEMBLAGE

Lisez tout le manuel d'instructions avant d'essayer d'assembler ou, si vous avez des problèmes avec l'assemblage de votre laveuse à pression, veuillez appeler le Service à la clientèle de Generac au 1-888-436-3722. Quand vous appelez, veuillez avoir le modèle et le numéro de série de l'étiquette de données.

1. Placer la poignée (A) dans les supports de la poignée (B). Appuyez sur les boutons de verrouillage et permettez à la poignée de se glisser à la position (C). Les boutons vont verrouiller la poignée en place (Figure 2).

**Figure 2 - Attacher la poignée**

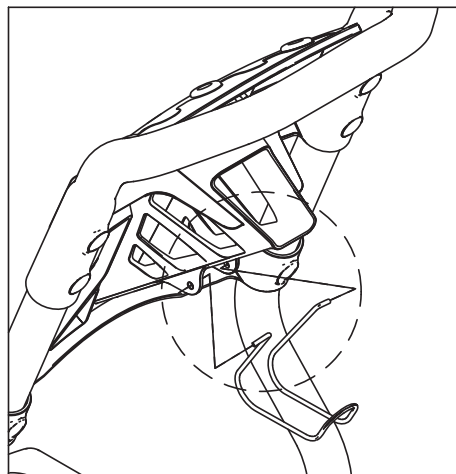


### REMARQUE :

Il peut être nécessaire de déplacer les supports d'un côté à l'autre de façon à aligner la poignée pour qu'elle glisse au dessus des supports.

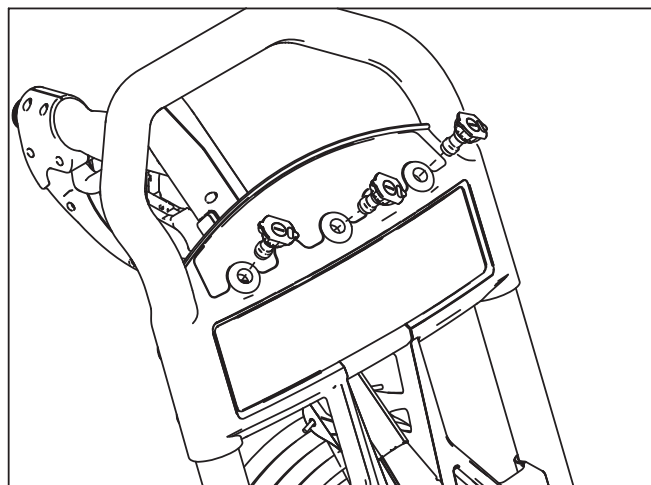
2. Installez le crochet du tuyau (Figure 3).

**Figure 3 – Installer le crochet du tuyau**



3. Insérez les buses à couleur dans les espaces fournis dans la poignée (Figure 4).
4. Placer le pistolet de pulvérisation et la rallonge des buses dans le porte-pistolet, comme illustré (Figure 4).

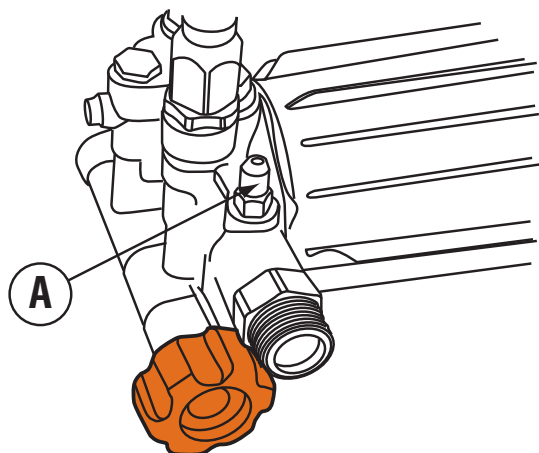
**Figure 4 - Insérer les buses**



5. Enroulez le tuyaux à pression et accrochez-le sur le crochet.
6. Attachez le tuyau à siphon à l'emplacement A (Figure 5).



Figure 5 - Emplacement du tuyau à siphon



## AJOUTER L'HUILE À MOTEUR

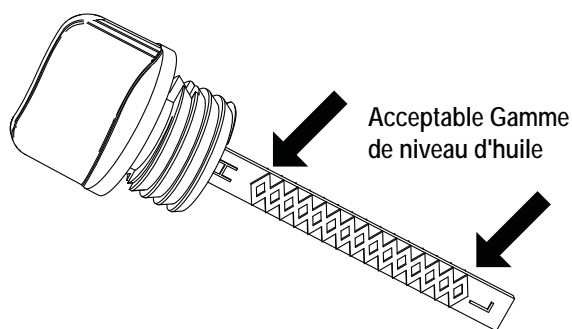
1. Mettez la laveuse à pression sur une surface solide et plane.
2. Nettoyer le secteur situé autour du réservoir d'huile et enlever le la jauge/le capuchon du réservoir d'huile.
3. À l'aide d'un entonnoir à huile (en option), versez lentement l'huile par l'orifice de remplissage. Pour connaître les recommandations sur le type d'huile à utiliser, consultez la section Entretien.

### REMARQUE :

Dans certaines unités, il y a plus d'un emplacement de remplissage d'huile. Dans ces cas, il faut simplement utiliser l'un des points de remplissage d'huile.

4. Vérifiez périodiquement si l'huile atteint un niveau situé entre les marques L et H de la jauge (figure 6). NE REMPLISSEZ PAS TROP LE RÉSERVOIR.

Figure 6 – Jauge



### REMARQUE :

Toute tentative de faire tourner ou de démarrer le moteur avant qu'il ait été correctement entretenu avec l'huile recommandée peut entraîner une panne du moteur.

5. Remplacez la jauge/le capuchon de remplissage d'huile et serrez complètement.

## AJOUTER DU CARBURANT

Le carburant doit se conformer aux exigences suivantes :

- Carburant propre, frais, sans plomb.
- Un minimum de 87 octanes/87 AKI (91 IOR).
- L'essence contenant jusqu'à 10% d'éthanol (essence-alcool) est acceptable.

### REMARQUE :

Éviter tout dommage à la laveuse à pression. Le non-respect du manuel d'utilisation à propos des recommandations du carburant annule la garantie.

- NE PAS utiliser de l'essence non approuvée comme E85.
- Ne PAS mélanger de l'huile dans l'essence.
- NE PAS modifier le moteur pour fonctionner avec d'autres carburants.

Pour protéger le système de carburant d'une gélification, mélanger avec un stabilisateur de carburant lorsque vous ajoutez du carburant. Voir Entreposage Tous les carburants ne sont pas le même. Si vous rencontrez des problèmes de performance ou de démarrage après l'utilisation d'un carburant, changez à un fournisseur de carburant différent ou changez les marques.

### ⚠ AVERTISSEMENT

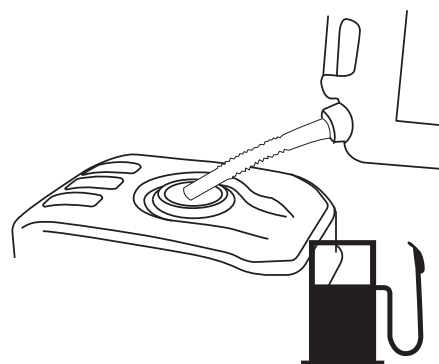


**Le carburant et ses vapeurs sont extrêmement inflammables et explosives. Un incendie ou une explosion peut provoquer des brûlures graves ou la mort.**

## AU MOMENT D'AJOUTE DU CARBURANT

- Éteindre la laveuse à haute pression et laisser refroidir au moins deux (2) minutes avant de retirer le capuchon du carburant. Dévissez le capuchon pour libérer la pression du réservoir.
  - Remplir le réservoir de carburant à l'extérieur.
  - NE PAS trop remplir le réservoir. Laisser de la place pour l'expansion du carburant.
  - S'il y a des fuites de carburant, attendez qu'elles s'évaporent avant de démarrer le moteur.
  - Gardez le carburant éloigné des étincelles, des flammes, d'une lumière pilote, la chaleur et de toute autre source de combustion.
  - NE PAS allumer une cigarette ou ne pas fumer.
1. Nettoyer le secteur situé autour du capuchon de remplissage de carburant, enlever le capuchon.
  2. Ajouter lentement de l'essence sans plomb au réservoir de carburant. Attention à ne pas trop remplir. Remplir au bas de la grille filtrante, ce qui permettra l'expansion du carburant (Figure 7).
  3. Installer le capuchon de carburant et laisser évaporer les fuites de carburant avant de démarrer le moteur.

Figure 7 - Ajouter du carburant



## BRANCHER LE TUYAU ET L'APPROVISIONNEMENT D'EAU À LA POMPE

### REMARQUE :

NE PAS faire fonctionner la pompe si l'alimentation en eau n'est pas raccordée et ouverte. La garantie sera annulée si l'équipement est endommagé par suite du non-respect de cette instruction.

### REMARQUE :

Retirez et jetez le capuchon de transport de l'entrée d'eau de la pompe avant d'attacher le tuyau.

1. Laisser couler l'eau avec votre tuyau d'arrosage pendant 30 secondes pour nettoyer tous les débris.
2. Avant de brancher le tuyau d'arrosage à l'entrée d'eau, vérifier le filtre d'entrée (A) (Figure 8). Nettoyer le filtre s'il contient des débris ou remplacer s'il est endommagé. NE PAS faire fonctionner la laveuse à pression si le filtre d'entrée est endommagé.

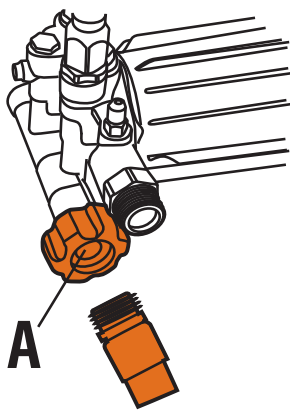
**IMPORTANT :** NE PAS siphonner de l'eau stagnante pour l'approvisionnement d'eau. Utilisez SEULEMENT de l'eau froide (moins de 100 °F). L'approvisionnement d'eau doit être suffisante pour traiter plus de 3,8 gallons par minute et pas moins de 30 psi.

### REMARQUE :

L'utilisation d'une soupape unidirectionnelle (brise-vide ou clapet antiretour) à l'entrée de la pompe peut entraîner des dommages à la pompe ou au connecteur d'entrée.

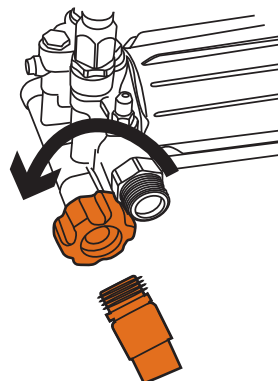
- Il DOIT y avoir au moins dix pieds de tuyau d'arrosage sans restriction entre l'entrée de la laveuse à pression et tout autre appareil, comme une brise-vide ou un clapet antiretour.
- La garantie sera annulée si l'équipement est endommagé par suite du non-respect de cette instruction.

Figure 8 – Installer le filtre d'entrée



3. Brancher le tuyau d'arrosage (à ne pas dépasser 50 pieds de longueur) à l'entrée d'eau (Figure 9). Serrer à la main.

Figure 9 – Brancher le tuyau d'arrosage

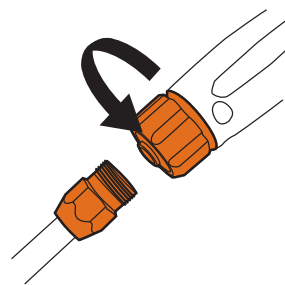


### ⚠ AVERTISSEMENT

 **Risque de blessure aux yeux. Le jet peut éclabousser ou propulser des objets.**

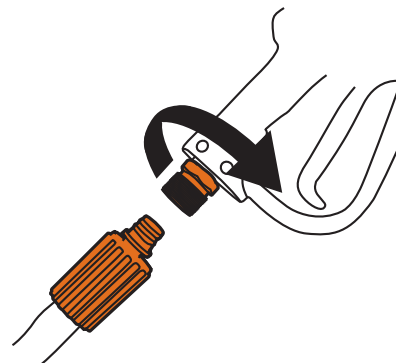
- Toujours porter des lunettes de sécurité lors de l'utilisation de ce matériel ou dans la zone où ce matériel est utilisé.
  - Avant de démarrer la laveuse à pression, veiller à porter des lunettes de sécurité adaptées.
  - NE JAMAIS substituer les verres de sécurité par des lunettes de sécurité.
4. Brancher la lance au pistolet de pulvérisation (Figure 10). Serrer à la main.

Figure 10 - Attacher la lance




5. Brancher l'extrémité du tuyau à haute pression à la base du pistolet de pulvérisation (Figure 11). Serrer à la main.

Figure 11 – Brancher le tuyau au pistolet de pulvérisation



## ⚠ DANGER

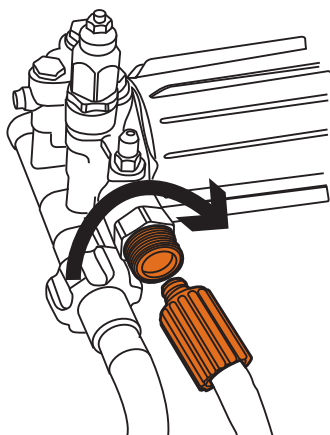
 **Le jet d'eau à haute pression produit par cet appareil peut percer la peau et ses tissus sous-jacents, pouvant mener à des blessures sérieuses et une possible amputation.**

- NE JAMAIS brancher le tuyau à haute pression à la lance.
  - Toujours garder le tuyau à haute pression raccordé à la pompe et au pistolet de pulvérisation lorsque le système est sous pression.
  - Toujours s'assurer que le pistolet de pulvérisation, les buses et les accessoires sont bien fixés.
6. Brancher le tuyau à haute pression à la pompe (dérouler le tuyau avant de brancher à la pompe ou au pistolet de pulvérisation) (Figure 12). Serrer à la main.

## ⚠ ATTENTION

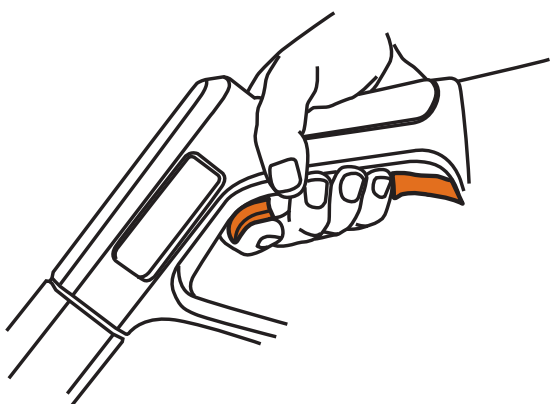
 **Le tuyau peut être endommagée si elle entre en contact avec un moteur chaud ou le silencieux.**

**Figure 12 – Brancher le tuyau à haute pression à la pompe**



7. Mettez en MARCHE l'eau, appuyez sur la gâchette afin de purger l'air dans le système de la pompe (Figure 13).

**Figure 13 - Appuyer sur la gâchette**




## COMMENT UTILISER LES BUSES

Le raccord rapide sur la lance de buse vous permet de changer entre les différentes buses. Les buses peuvent être modifiées lorsque la laveuse à pression est en fonctionnement, une fois que la gâchette du pistolet de pulvérisation est verrouillée à la position de sécurité. Les buses modifient la pression et le jet, comme indiqué.

- Pour un nettoyage plus efficace, garder la buse de 8 à 24 pouces (20 à 61 cm) éloignée de la surface à nettoyer.
- Si vous avez la buse trop près, surtout avec une buse à haute pression, vous risquez d'endommager la surface que vous nettoyez.

## ⚠ DANGER

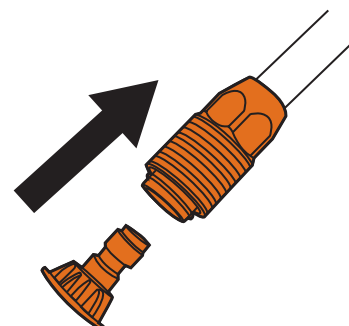
 **Le jet d'eau à haute pression produit par cet appareil peut percer la peau et ses tissus sous-jacents, pouvant mener à des blessures sérieuses et une possible amputation.**

- NE JAMAIS échanger les buses sans engager le verrou de la gâchette du pistolet de pulvérisation.
- NE PAS tordre les buses pendant la pulvérisation.

Utiliser les instructions suivantes pour changer les buses :

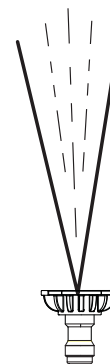
1. Retirer le collier sur le raccord rapide et ensuite les buses. Garder les buses dans le support fourni sur le rangement d'accessoires (Figure 14).

**Figure 14 - Buses**



2. Choisissez la buse désirée.
  3. Tirer sur le collier, insérer la nouvelle buse et relâcher le collier. Tirez sur la buse pour vous assurer qu'elle est bien en place.
- Pour un rinçage délicat (pression faible et débit plus élevé), pour le nettoyage doux des voitures/camions, bateaux, véhicules de camping, mobilier de jardin, équipement d'entretien de pelouse, etc., sélectionnez la buse blanche (Figure 15).

**Figure 15 – Buse à pression de lavage (blanc)**



## Configuration

- Pour un rinçage générale (pression moyenne et débit moyen), idéal pour la plupart des nettoyages tout usage comme les entrées, les patio en brique, es terrasses en bois, les entrées de cour et les trottoirs, les planchers des garages, etc., sélectionnez la buse vert (Figure 16).

**Figure 16 – Buse à pression de nettoyage (vert)**



- Pour effectuer un rinçage moyen (pression plus élevée et débit moyen), idéal pour éliminer les taches sur des surfaces dures comme les allées en béton, les sols de garage et les patios de brique, choisissez la buse jaune (figure 17).

**Figure 17 – Buse à pression ciblée (jaune)**



- Pour un rinçage maximale (pression plus élevée et débit plus bas), pour les surfaces plus rebelles ou difficiles à atteindre comme les surfaces du deuxième étage, l'enlèvement de peinture, les taches d'huile, l'élimination de la rouille ou d'autres substances tenaces (du goudron, de la gomme, de la graisse, de la cire, etc.), sélectionnez la buse rouge (Figure 18).

### ⚠ ATTENTION

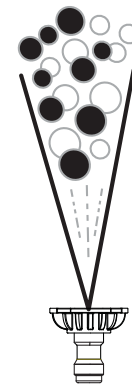
**!** Cette extrémité (Buse rouge) peut endommager la surface de travail si elle est trop proche ou tenue dans la même position pendant une période prolongée.

**Figure 18 – Buse à pression maximale (rouge)**



- Lorsque vous appliquez du détergent, utilisez uniquement la buse noire (Figure 19). Utiliser uniquement des savons/détergents sécuritaires de la laveuse à pression pour aider à éliminer la saleté tenace sur une variété de surfaces.

**Figure 19 - Buse pour détergent (noire)**



## NETTOYER ET UTILISER DU DÉTERGENT

### ⚠ ATTENTION

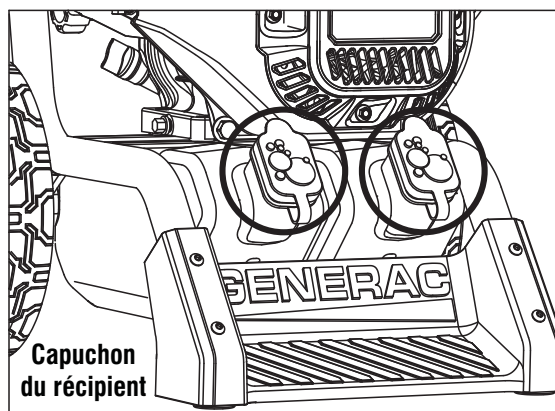
**!** Les produits chimiques peuvent causer des blessures corporelles et / ou des dommages matériels.

- NE JAMAIS utiliser du liquide caustique avec la laveuse à pression
- Utiliser UNIQUEMENT des savons/détergents sécuritaires de la laveuse à pression. Suivre toutes les instructions du fabricant.

Pour appliquer le détergent, suivez les étapes suivantes :

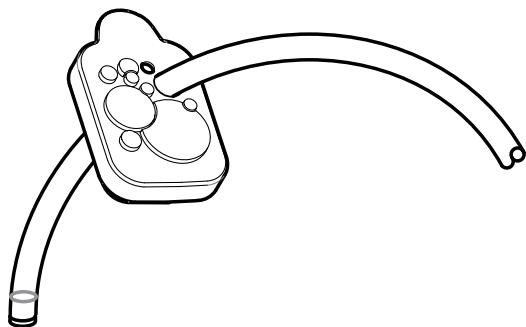
1. Revoir l'utilisation des buses.
2. Ouvrir le capuchon du récipient (s'il y en a un, Figure 20).
3. Préparez la solution de détergent comme requis pour le travail.

**Figure 20 - Couverture et réservoir de produits chimiques**



4. Selon le modèle, insérer le filtre sur l'extrémité du tuyau à siphon à travers le trou dans le bouchon ample (fourni) (Figure 21).
5. Installez le capuchon et le tuyau à siphon dans le réservoir.
6. S'assurer que le tuyau à siphon reste totalement immergé dans le détergent.

**Figure 21 – Installer le tuyau à siphon**



**REMARQUE :**

**S'assurer que le filtre reste totalement immergé dans le détergent quand vous utilisez le détergent.**

**REMARQUE :**

**Le contact avec le pot d'échappement chaud peut endommager le tuyau à siphon du détergent.**

- Lorsque vous insérez le siphon dans une bouteille de solution de détergente, acheminez le tuyau afin de prévenir un contact malencontreusement avec le pot d'échappement chaud.

7. Assurez-vous que la buse de détergent noire est installée.

**REMARQUE :**

**Le détergent ne peut pas être appliqué avec la buse à haute pression (jaune, blanche, verte ou rouge). Utiliser uniquement la buse noire avec du détergent.**

8. Confirmer que les instructions de configuration ont été suivies.

**REMARQUE :**

**Avant de démarrer le moteur, il est impératif de raccorder tous les tuyaux.**

- La pompe sera endommagée si le moteur est démarré en l'absence des tuyaux branchés et l'alimentation d'eau.
  - La garantie sera annulée si l'équipement est endommagé par suite du non-respect de cette instruction.
9. Démarrer le moteur en suivant les instructions Comment démarrer votre laveuse à pression.
  10. Appliquer le détergent sur une surface sèche, à partir de la partie inférieure de la zone à être lavée et travailler vers la partie supérieure en utilisant des mouvements longs, uniformes, se chevauchant.
  11. Laissez le détergent « tremper » de 3 à 5 minutes avant de laver et rincer. Rappliquez si nécessaire pour ne pas permettre que la surface se sèche. NE PAS laisser le détergent sécher sur la surface que vous nettoyez (pour éviter les marques).

**IMPORTANT :** Vous devez vider le système à siphon du détergent après chaque utilisation en plaçant le filtre dans un seau d'eau propre, puis démarrez la laveuse à basse pression pendant 1-2 minutes.

## RINÇAGE DE LA LAVEUSE À PRESSION

1. Retirer la buse de détergent noire de la lance.
2. Sélectionner et installer la buse à haute pression souhaitée suivant les instructions Comment utiliser les buses.
3. Diriger le pistolet de pulvérisation dans une direction sécuritaire et jamais vers les personnes, les animaux et les plants. Appuyer sur la gâchette afin de purger des produits chimiques restants dans le système.
4. Tenir le pistolet de pulvérisation à une distance sécuritaire de la zone que vous désirez pulvériser.

**⚠ AVERTISSEMENT**



**Le rebond du pistolet de pulvérisation peut vous faire tomber.**

- Utiliser uniquement sur une surface équilibrée.
  - Ne pas utiliser sur une surface élevée pour prévenir le risque d'une chute grave.
  - Soyez extrêmement prudent si vous devez utiliser la laveuse à pression à partir d'une échelle, un échafaudage, ou tout autre endroit similaire.
  - Tenez fermement le pistolet de pulvérisation à deux mains lors de l'utilisation du jet à haute pression pour éviter des blessures quand le pistolet de pulvérisation fait un effet de rebond.
5. Appliquer un jet à haute pression sur une petite surface, puis vérifier la surface en cas de dommages. S'il n'y a pas de dommages, vous pouvez considérer qu'il est acceptable de continuer à rincer.
  6. Commencer en haut de la zone à rincer et continuer vers le bas en faisant chevaucher les passes, comme vous avez fait pour le nettoyage.

## NETTOYER LE TUYAU À SIPHON DE DÉTERGENT

Si vous avez utilisé le tuyau à siphon de détergent, vous devez le rincer avec de l'eau propre avant d'arrêter le moteur.

1. Placer le filtre/tuyau de siphon de détergent dans un seau rempli d'eau propre.
2. Retirer la buse à haute pression de la rallonge de buse.
3. Sélectionner et installer la buse de détergent noire suivant les instructions Comment utiliser les buses.
4. Rincer pendant 1 à 2 minutes.
5. Arrêter le moteur suivant instructions Comment arrêter la laveuse à pression et éteindre l'approvisionnement d'eau.
6. TOUJOURS diriger le pistolet de pulvérisation dans une direction sécuritaire, appuyer sur la gâchette du pistolet de pulvérisation pour relâcher la haute pression de l'eau retenue. Engager le verrou de la gâchette lorsqu'il n'est pas utilisé.

## Fonctionnement

**IMPORTANT :** Le pistolet de pulvérisation retient la haute pression de l'eau, même lorsque le moteur est arrêté et l'eau est débranchée, ce qui peut causer des blessures.

### **⚠ DANGER**



**Le jet d'eau à haute pression produit par cet appareil peut percer la peau et ses tissus sous-jacents, pouvant mener à des blessures sérieuses et une possible amputation. Le pistolet de pulvérisation retient la haute pression de l'eau, même lorsque le moteur est arrêté et l'eau est débranchée, ce qui peut causer des blessures.**

- Toujours garder le tuyau à haute pression raccordé à la pompe et au pistolet de pulvérisation lorsque le système est sous pression.
- **TOUJOURS** diriger le pistolet de pulvérisation dans une direction sécuritaire, presser la gâchette du pistolet de pulvérisation pour relâcher la haute pression chaque fois que vous arrêtez le moteur. Engager le verrou de la gâchette lorsqu'il n'est pas utilisé

## FONCTIONNEMENT

Si vous avez des problèmes avec le fonctionnement de votre laveuse à pression, veuillez contacter le Service à la clientèle de Generac au 1-888-436-3722.

## EMPLACEMENT DE LA LAVEUSE À PRESSION

### Dégagement et circulation d'air

### **⚠ DANGER**



**Un moteur en marche émet du monoxyde de carbone, un gaz toxique, inodore et invisible. Respirer du monoxyde de carbone peut causer des céphalées, fatigue, vertiges, vomissements, confusion, une attaque, des nausées, d'évanouissements ou la mort. Pour plus d'information, consulter les avertissement sur le monoxyde de carbone à la section Règles de sécurité.**

Placer la laveuse à pression à l'extérieur dans une zone qui n'accumule pas des gaz d'échappement mortels. **NE JAMAIS** placer la laveuse à pression là où le gaz d'échappement pourrait s'accumuler et entrer à l'intérieur ou être tiré dans un édifice qui pourrait être occupé. Assurez-vous que le gaz d'échappement est tenu à l'écart de toutes les fenêtres, les portes, les entrées d'air ou d'autres ouvertures qui peuvent permettre aux gaz d'échappement d'être collectés dans un endroit restreint. Les vents dominants et des courants d'air doivent être pris en considération lorsque vous positionnez la laveuse à pression (Figure 22).

- Faire fonctionner la laveuse à pression **UNIQUEMENT** à l'extérieur.
- Empêcher les gaz d'échappement d'entrer dans un espace confiné par les fenêtres, les portes, les entrées d'air ou d'autres ouvertures.
- **NE JAMAIS** démarrer ni faire tourner le moteur à l'intérieur, dans un véhicule ou un espace fermé, **MÊME** si les fenêtres et les portes sont ouvertes.

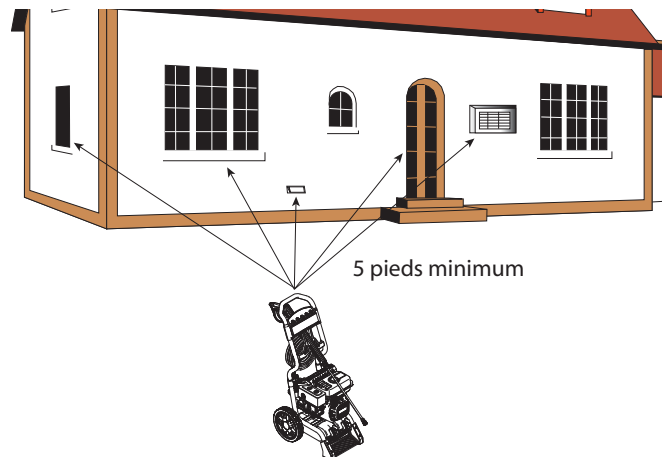
### **⚠ AVERTISSEMENT**



**La chaleur/les gaz d'échappement peuvent enflammer les combustibles, des structures ou endommager le réservoir de carburant provoquant un incendie.**

- Garder au moins 5 pieds (152 cm) de dégagement sur tous les côtés de la laveuse à pression, y compris la partie supérieure.

Figure 22 - Dégagements de construction



## LISTE DE CONTRÔLE AVANT DE DÉMARRER LE MOTEUR

1. Assurez-vous de lire et de comprendre la section Sécurité de l'utilisateur et la section Fonctionnement avant d'utiliser la laveuse à pression.
2. Vérifier que l'huile est au niveau approprié dans le carter du moteur et que le carburant a été ajouté au réservoir de carburant.
3. Revoir l'assemblage de l'unité et s'assurer que les raccords sont correctement sécurisés. Assurez-vous qu'il n'y a pas de déformations, de coupures, ou de dommages au tuyau à haute pression.
4. Fournir un approvisionnement d'eau approprié à un débit approprié, nettoyer les filtres de débris et confirmer que le système est libre d'air.
5. Confirmer que l'unité est solide au niveau du sol et que l'échappement de travail environnant est propre.

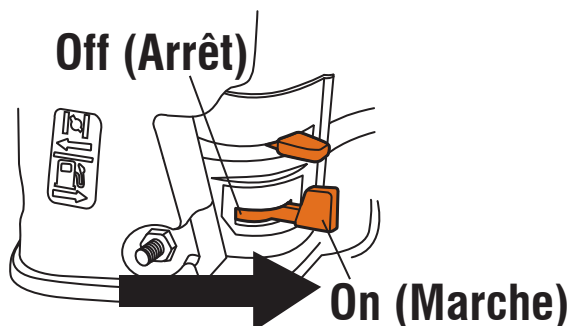
## COMMENT DÉMARRER VOTRE LAVEUSE À PRESSION

### REMARQUE :

**NE PAS faire fonctionner la pompe si l'alimentation en eau n'est pas raccordée et ouverte. La garantie sera annulée si l'équipement est endommagé par suite du non-respect de cette instruction.**

1. Placer le levier de robinet à carburant à la position ON (Figure 23).

Figure 23 - Robinet à carburant

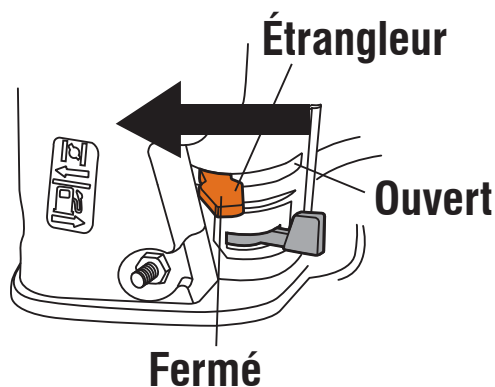


- Positionner le levier d'étrangleur à la position « CLOSE » (Figure 24).

**REMARQUE :**

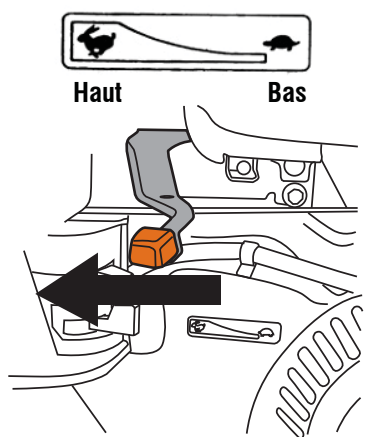
Pour un moteur chaud, vérifiez que le levier d'étrangleur est à la position « OPEN ».

Figure 24 - Levier d'étrangleur



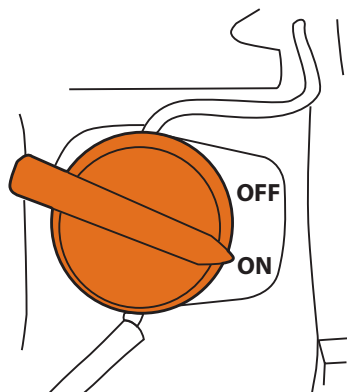
- Déplacer le levier de commande du régulateur à la position « HIGH », figurant sur le moteur comme un lapin (Figure 25).

Figure 25 - Commande du régulateur



- Placer l'interrupteur du moteur à la position « ON » (o) (Figure 26).

Figure 26 - La position ON



**IMPORTANT :** Avant de démarrer la laveuse à haute pression, s'assurer de porter des lunettes de sécurité adaptées.

**AVERTISSEMENT**

**Risque de blessure aux yeux. Le jet peut éclabousser ou propulser des objets.**

- Toujours porter des lunettes de sécurité lors de l'utilisation de ce matériel ou dans la zone où ce matériel est utilisé.
  - Avant de démarrer la laveuse à pression, veiller à porter des lunettes de sécurité adaptées.
  - NE JAMAIS substituer les verres de sécurités par des lunettes de sécurité.
- Placer le pied sur le repose-pieds ou autrement assurer l'unité du mouvement lorsque vous reculez.
  - Lorsque vous démarrez le moteur, saisissez la poignée du démarreur (Figure 27) et tirez doucement jusqu'à ce que vous sentiez une résistance. Ensuite tirez rapidement pour mettre en marche le moteur.

Figure 27 - Mettre le moteur en marche

## Poignée du démarreur



**AVERTISSEMENT**

**L'effet de rebond de la corde du démarreur (rétroaction rapide) peut entraîner des blessures corporelles. Le rebond va tirer la main et le bras vers le moteur plus rapidement que ce que vous pourriez laisser aller. Vous pouvez souffrir des fractures, des bleus ou des entorses.**

- NE JAMAIS tirer sur le cordon de démarrage sans relever premièrement la pression du pistolet de pulvérisation.
  - Lorsque vous démarrez le moteur, tirez sur le cordon jusqu'à ce que vous sentiez une résistance et ensuite tirez rapidement pour éviter l'effet de rebond.
  - Après chaque tentative de démarrage, lorsque le moteur ne fonctionne pas, toujours diriger le pistolet de pulvérisation dans une direction sécuritaire et presser la gâchette du pistolet de pulvérisation pour relâcher la haute pression.
  - Tenez fermement le pistolet de pulvérisation à deux mains lors de l'utilisation du jet à haute pression pour éviter des blessures quand le pistolet de pulvérisation fait un effet de rebond.
- Retourner la poignée du démarreur lentement. NE PAS laisser la corde faire un « effet rebond » contre le démarreur.

## Fonctionnement


8. Lorsque le moteur démarre, déplacer lentement le levier d'étrangleur à la position « OPEN » pendant le chauffage du moteur. Si le moteur hésite, déplacer le levier d'étrangleur à la position « CLOSE », puis « OPEN » (Figure 28).

Figure 28 - Levier d'étrangleur



9. Après chaque tentative de démarrage, lorsque le moteur ne fonctionne pas, toujours diriger le pistolet dans une direction sécuritaire et presser la gâchette du pistolet de pulvérisation pour relâcher la haute pression.
10. Si le moteur ne démarre pas au bout de six tentatives, déplacer le levier à la position « OPEN », et répéter les étapes 6 à 10.

### ⚠ DANGER

 Le jet d'eau à haute pression produit par cet appareil peut percer la peau et ses tissus sous-jacents, pouvant mener à des blessures sérieuses et une possible amputation. Le pistolet de pulvérisation retient la haute pression de l'eau, même lorsque le moteur est arrêté et l'eau est débranchée, ce qui peut causer des blessures.

- NE PAS laisser les ENFANTS utiliser la laveuse à pression ou jouer à proximité
- Toujours garder le tuyau à haute pression raccordé à la pompe et au pistolet de pulvérisation lorsque le système est sous pression.
- NE JAMAIS diriger le pistolet de pulvérisation vers les personnes, les animaux ou les dispositifs électriques. Des blessures sérieuses surviendront.
- NE PAS sécuriser le pistolet de pulvérisation à la position ouverte.
- NE PAS laisser le pistolet de pulvérisation sans surveillance lorsque l'appareil est en fonctionnement.
- NE JAMAIS utiliser un pistolet de pulvérisation qui n'a pas de verrouillage de gâchette ou une protection de gâchette en place et en état de fonctionnement.
- Toujours s'assurer que le pistolet de pulvérisation, les buses et les accessoires sont bien fixés.

### ⚠ AVERTISSEMENT

 Le contact avec la zone du pot d'échappement peut provoquer des blessures sérieuses. La chaleur/les gaz d'échappement peuvent enflammer les combustibles, des structures ou endommager le réservoir de carburant provoquant un incendie.

- NE PAS toucher les pièces chaudes et ÉVITER les gaz d'échappement chauds.
- Laisser refroidir l'appareil avant de toucher.
- Garder au moins 5 pieds (152 cm) de dégagement sur tous les côtés de la laveuse à pression, y compris la partie supérieure.

- L'utilisation ou le fonctionnement du moteur sur tout terrain couvert de forêt, broussailles ou herbes, est une violation du Code de ressources publiques de l'État de la Californie, Section 4442, à moins que le système d'échappement est équipé d'un pare-étincelles, tel que défini dans la Section 4442, maintenu en bon état de fonctionnement. D'autres États ou juridictions fédérales peuvent avoir des lois similaires.
- Les pièces de rechange doivent être les mêmes et installées dans la même position que les pièces originales.

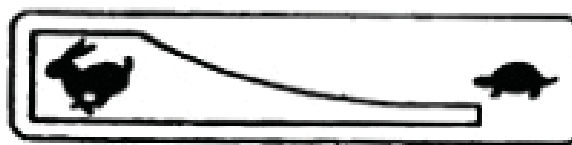
## SYSTÈME DE REFROIDISSEMENT AUTOMATIQUE (SUPPRESSION THERMIQUE)

Si vous faites fonctionner le moteur de votre laveuse à pression pendant 3-5 minutes sans appuyer sur la gâchette du pistolet de pulvérisation, circulation d'eau dans la pompe peut atteindre des températures supérieures à 125 ° F. Le système s'engage à refroidir la pompe en évacuant l'eau chaude sur le sol.

## COMMENT ARRÊTER VOTRE LAVEUSE À PRESSION

1. Relâcher la gâchette du pistolet de pulvérisation.
2. Placer le levier de commande du régulateur à la position « LOW » (tortue) (Figure 29).

Figure 29 - Position du régulateur




Élevé

Bas

3. Placer l'interrupteur ON/OFF (Marche/Arrêt) du moteur à la position « Arrêt ».
4. TOUJOURS diriger le pistolet de pulvérisation dans une direction sécuritaire et appuyer sur la gâchette du pistolet de pulvérisation pour relâcher la haute pression de l'eau retenue. Engager le verrou de la gâchette lorsqu'il n'est pas utilisé
5. FERMER l'alimentation d'eau.

**IMPORTANT :** Le pistolet de pulvérisation retient la haute pression de l'eau, même lorsque le moteur est arrêté et l'eau est débranchée, ce qui peut causer des blessures.

### ⚠ DANGER

 Le jet d'eau à haute pression produit par cet appareil peut percer la peau et ses tissus sous-jacents, pouvant mener à des blessures sérieuses et une possible amputation. Le pistolet de pulvérisation retient la haute pression de l'eau, même lorsque le moteur est arrêté et l'eau est débranchée, ce qui peut causer des blessures.

- Toujours garder le tuyau à haute pression raccordé à la pompe et au pistolet de pulvérisation lorsque le système est sous pression.
- TOUJOURS diriger le pistolet de pulvérisation dans une direction sécuritaire, presser la gâchette du pistolet de pulvérisation pour relâcher la haute pression chaque fois que vous arrêtez le moteur. Engager le verrou de la gâchette lorsqu'il n'est pas utilisé.



## RECOMMANDATIONS D'ENTRETIEN

Un entretien régulier améliorera les performances et prolongera la vie de la laveuse à pression. Voir un dépositaire qualifié pour tout service.

La garantie de la laveuse à pression ne couvre pas les articles qui ont été sujets à une mauvaise utilisation ou une négligence. Pour recevoir la contrepartie totale de la garantie, l'utilisateur doit entretenir l'outil comme démontré dans ce manuel, y compris un entreposage approprié tel que décrit à la section Entreposage d'hiver et Entreposage à long terme.

### REMARQUE :

**Si vous avez des questions à propos du remplacement des composants de votre laveuse à pression, veuillez appeler au 1-888-436-3722 pour avoir de l'assistance.**

Certains réglages devront être faits périodiquement pour entretenir correctement votre laveuse à pression.

Tous les services et les réglages devraient être effectués au moins une fois par saison. Suivre les exigences dans le tableau Programme d'entretien.

### REMARQUE :

**Une fois par an, vous devez nettoyer ou remplacer la bougie, nettoyer ou remplacer le filtre à air, et vérifier le pistolet de pulvérisation et l'assemblage de la rallonge de buse pour l'usure. Une nouvelle bougie et filtre à air propre assurent un bon mélange d'air-carburant et aident au moteur à mieux fonctionner et à durer plus longtemps.**

## PROGRAMME D'ENTRETIEN

Respecter les intervalles ou horaires du calendrier, selon la première occurrence. Un entretien plus fréquent est nécessaire lorsque l'appareil fonctionne dans des conditions défavorables.

<b>Premières 5 heures</b>
Changez l'huile à moteur
<b>Chaque 8 heures ou à tous les jours</b>
Vérifier/nettoyer le filtre d'entrée de l'eau*
Vérifier le tuyau à haute pression
Vérifier le filtre/tuyau à siphon de détergent
Vérifier le pistolet de pulvérisation et l'assemblage pour des fuites
Nettoyez le débris
Vérifier le niveau d'huile du moteur
<b>Chaque 20 heures ou chaque saison</b>
Changez l'huile à moteur**
<b>Chaque 50 heures ou chaque saison</b>
Vérifier/nettoyer le filtre à air de la laveuse**
Vérifier le pot d'échappement et le pare-étincelles*
<b>Chaque 100 heures ou chaque saison</b>
Service pour la bougie d'allumage
* Nettoyer s'il y a une obstruction. Remplacer s'il y a une perforation ou est déchiré.
** Service plus souvent dans un milieu sale ou poussiéreux.

## HUILE À POMPE

NE PAS essayer aucun entretien de l'huile dans cette pompe. La pompe est pré-lubrifiée et scellée à l'usine, ne nécessitant aucun entretien supplémentaire pour la vie de la pompe.

## CONTRÔLE DES ÉMISSIONS

**L'entretien, le remplacement ou la réparation des dispositifs et systèmes antipollution peuvent être exécutés par toute entreprise de réparation de moteurs non routiers ou tout individu.** Toutefois, pour obtenir le service de contrôle des émissions « gratuitement », le travail doit être effectué par un dépositaire autorisé. Voir la garantie d'émissions.

## ENTRETIEN DE LA LAVEUSE À PRESSION

### Nettoyer le débris

Par jour ou avant l'utilisation, nettoyer le débris accumulé du système de nettoyage. Garder la tringlerie, les freins et les contrôles propres. Gardez la zone autour et derrière le pot d'échappement libre de tout débris combustibles. Vérifiez les fentes et les ouvertures d'air de refroidissement sur la laveuse à pression. Ces ouvertures doivent être maintenues propres et sans obstructions.

Les pièces de la laveuse à pression doivent être gardées propres pour réduire les risques de surchauffe et d'inflammation du débris accumulé.

- Employez un tissu humide pour essuyer les surfaces extérieures.

### REMARQUE :

**Un traitement inadéquat de la laveuse à pression peut l'endommager et réduire sa durée de vie utile.**

- NE PAS insérer aucun objet à travers les fentes de refroidissement.
- Utiliser une brosse à soies, doux pour enlever l'accumulation de saleté, de l'huile, etc.
- Utiliser un aspirateur pour ramasser la saleté superficielle et les débris.

## VÉRIFIER ET NETTOYER LE TAMIS DE FILTRAGE D'ENTRÉE

Contrôler le filtre à l'entrée d'eau de la pompe. Nettoyer le tamis s'il est colmaté, le remplacer s'il est endommagé.

## VÉRIFIER LES TUYAUX À HAUTE PRESSION

Le tuyau à haute pression peut fuir en raison de l'usure, de pincements ou d'une mauvaise utilisation. Vérifier le bon état des tuyaux avant chaque utilisation. Vérifier l'absence de coupures, de fuites, d'usure ou de renflement du revêtement, de détérioration et de jeu dans les raccords. Remplacer le tuyau immédiatement au moindre signe de détérioration.

### **⚠ DANGER**



**Le jet d'eau à haute pression produit par cet appareil peut percer la peau et ses tissus sous-jacents, pouvant mener à des blessures sérieuses et une possible amputation.**

- NE JAMAIS tenter de réparer le tuyau à haute pression. Le remplacer.
- Le tuyau de remplacement DOIT avoir ou dépasser la pression maximum de l'appareil

## VÉRIFIER LE TUYAU À SIPHON DE DÉTERGENT

Contrôler le filtre du tuyau de détergent et le nettoyer si nécessaire. Le tuyau doit être fixé solidement sur le raccord cranté. Contrôler l'absence de fuites et de déchirures. Le cas échéant, remplacer le filtre ou le tuyau endommagé.

## VÉRIFIER LE PISTOLET DE PULVÉRISATION

Examiner le raccordement du tuyau au pistolet et s'assurer de sa solidité. Contrôler le fonctionnement de la gâchette en la manœuvrant et en s'assurant qu'elle revient en position de repos. Remplacer le pistolet de pulvérisation immédiatement s'il ne fait pas « l'effet rebond ».

## ENTRETIEN DE LA BUSE

Une sensation d'impulsion tout en appuyant sur la gâchette du pistolet de pulvérisation peut être causée par une pression excessive de la pompe. Cet excès de pression dans la pompe est souvent dû à l'engorgement ou au blocage d'une buse par des corps étrangers, tels que de la poussière, etc. Pour remédier au problème, nettoyer immédiatement la buse suivant les instructions ci-dessous :

1. Arrêter le moteur et couper l'alimentation en eau.
2. TOUJOURS diriger le pistolet de pulvérisation dans une direction sécuritaire, appuyer sur la gâchette du pistolet de pulvérisation pour relâcher la haute pression de l'eau retenue.

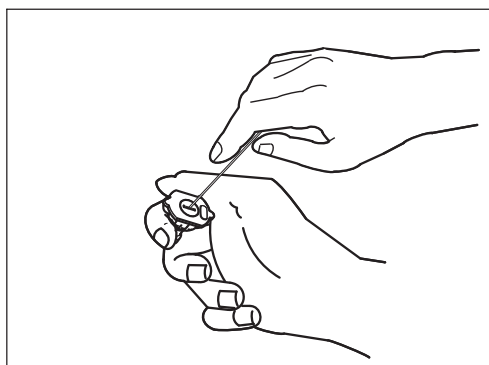
### ⚠ DANGER



**Le jet d'eau à haute pression produit par cet appareil peut percer la peau et ses tissus sous-jacents, pouvant mener à des blessures sérieuses et une possible amputation. Le pistolet de pulvérisation retient la haute pression de l'eau, même lorsque le moteur est arrêté et l'eau est débranchée, ce qui peut causer des blessures.**

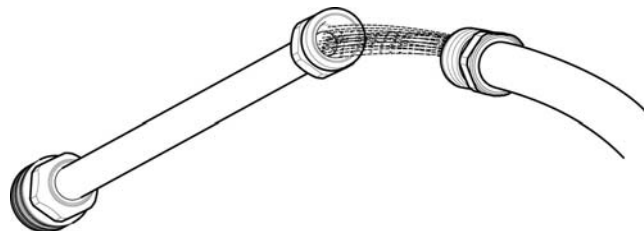
- Toujours garder le tuyau à haute pression raccordé à la pompe et au pistolet de pulvérisation lorsque le système est sous pression.
  - TOUJOURS diriger le pistolet de pulvérisation dans une direction sécuritaire, presser la gâchette du pistolet de pulvérisation pour relâcher la haute pression chaque fois que vous arrêtez le moteur. Engager le verrou de la gâchette lorsqu'il n'est pas utilisé.
3. Retirer la buse de l'extrémité de la rallonge de buse.
  4. Utiliser un trombone pour libérer tout matériel étranger obstruant ou limitant la buse (Figure 30).

Figure 30 - Enlever le matériel étranger



5. Enlever la lance du pistolet de pulvérisation.
6. En utilisant un tuyau d'arrosage, enlever le débris additionnel en rinçant à contre-débit avec de l'eau à travers de la lance (Figure 31). Effectuer ce rinçage à contre-débit pendant 30 à 60 secondes.

Figure 31 - Lance à contre-débit



7. Réinstaller la buse dans la lance.
8. Rebrancher la lance au pistolet de pulvérisation.
9. Assurez-vous que le tuyau d'arrosage est branché à l'entrée d'eau de la pompe. Vérifier que le tuyau à haute pression est branché au pistolet de pulvérisation et à la pompe. Ouvrez l'eau.
10. Démarrer le moteur en suivant les instructions Comment démarrer votre laveuse à pression.
11. Contrôler la laveuse à pression en utilisant chaque buse à raccord rapide.

## ENTRETIEN DU MOTEUR

### ⚠ AVERTISSEMENT



**La production involontaire d'étincelles peut provoquer un incendie ou une électrocution.**

### POUR RÉGLER OU RÉPARER LE NETTOYEUR HAUTE PRESSION

- Débrancher le fil de bougie d'allumage et l'écarter de sorte qu'il ne puisse toucher la bougie.

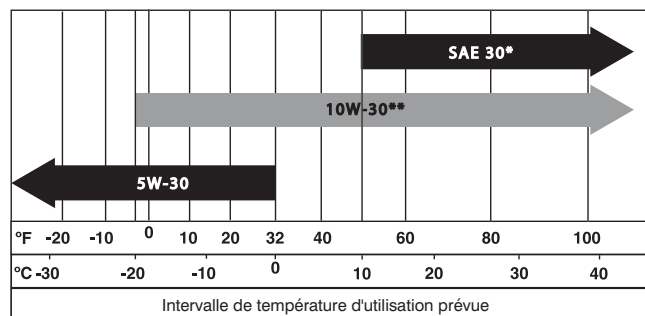
### LORS DES ESSAIS D'ALLUMAGE

- Utiliser un testeur de bougie d'allumage approuvé.
- NE PAS vérifier l'allumage lorsque la bougie est retirée.

## RECOMMANDATIONS D'HUILE DE MOTEUR

Nous vous recommandons d'utiliser des huiles détergentes de haute qualité acceptable si elles sont classifiées pour le service SF, SG, SH, SJ ou supérieur. NE PAS utiliser aucun additif spécial.

La température extérieure détermine la viscosité de l'huile appropriée pour le moteur. Utiliser le tableau pour sélectionner la meilleure viscosité pour l'intervalle de température attendu.



\* En dessous de 50 °F (10 °C), l'utilisation de SAE 30 entraînera un démarrage difficile.

\*\* En dessus de 80 °F (27 °C) l'utilisation d'une huile 10W30 peut entraîner une augmentation de la consommation d'huile. Vérifier le niveau de l'huile plus fréquemment.

**REMARQUE :**

L'huile synthétique satisfaisant les spécifications ILSAC GF-2, la marque de certification API et le symbole de service API avec « SJ / CF ENERGY CONSERVATION » ou plus, est une huile acceptable à toutes les températures. L'utilisation d'huiles synthétiques ne modifie pas les intervalles de changement d'huile.

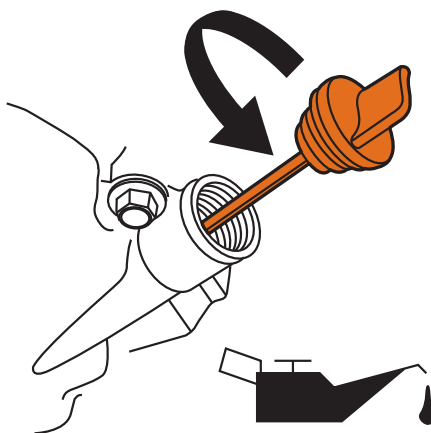
**REMARQUE :**

Le moteur est équipé d'un « Système d'alerte d'huile ». Le système va automatiquement arrêter le moteur avant que le niveau d'huile descende en dessous d'une limite sécuritaire. Pour éviter l'inconvénient d'un arrêt imprévu, toujours vérifier le niveau d'huile du moteur avant le démarrage.

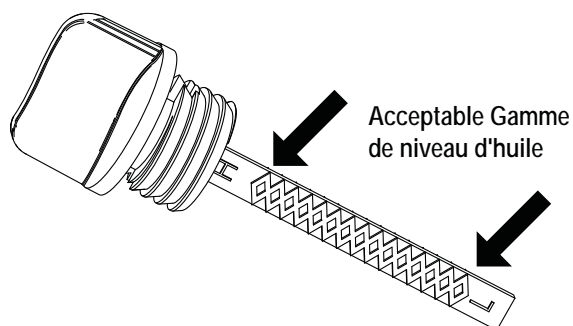
**VÉRIFIER LE NIVEAU D'HUILE**

Le niveau d'huile doit être vérifié avant chaque utilisation ou au moins toutes les 8 heures de fonctionnement. Garder le niveau d'huile maintenu.

1. S'assurer que la laveuse à pression est sur une surface équilibrée.
2. Nettoyer le secteur situé autour du réservoir d'huile, essuyer la jauge, nettoyer et enlever le capuchon du réservoir d'huile (Figure 32).
3. Vérifier que l'huile est au niveau approprié dans la jauge.
4. Insérer la jauge dans le col de remplissage mais ne pas la visser.
5. Remplacer et serrer le capuchon du réservoir d'huile.

**Figure 32 - Remplir l'huile à moteur****AJOUTER L'HUILE À MOTEUR**

1. Vérifiez que la laveuse à pression est posée sur une surface plane et de niveau.
2. Vérifier le niveau d'huile comme décrit à la section Vérifier le niveau d'huile.
3. Si nécessaire, verser lentement l'huile dans l'orifice du réservoir d'huile jusqu'à ce que le niveau approprié dans la jauge est atteint.
4. Insérer la jauge dans le col de remplissage mais ne pas la visser.
5. Si le niveau d'huile est bas, remplissez le réservoir jusqu'à atteindre le niveau de la jauge situé entre L et H (figure 33).
6. Remplacer et serrer le capuchon du réservoir d'huile.

**Figure 33 – Jauge****CHANGER L'HUILE À MOTEUR**

Si vous utilisez votre laveuse à pression dans des conditions extrêmement sales ou poussiéreuses, ou dans des conditions climatiques extrêmement chaudes, changez l'huile plus souvent.

**⚠ ATTENTION**

**⚠ Évitez des contacts de peau prolongés ou répétés avec de l'huile de moteur usagée.**

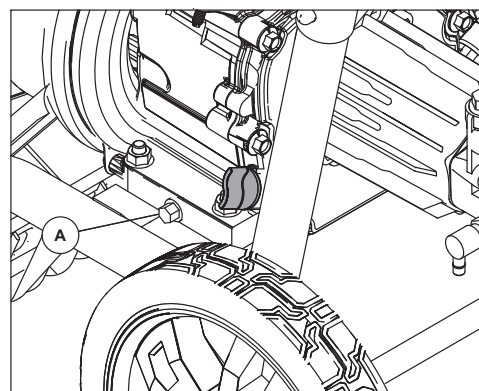
- Il a été démontré que l'huile à moteur peut causer du cancer de la peau chez certains animaux de laboratoire.
- Lavez complètement les endroits exposés avec du savon et de l'eau.

**⚠ GARDEZ HORS DE PORTÉE DES ENFANTS.**

- Ne polluez pas. Conservez les ressources. Déposer l'huile usagée dans un centre de collecte.

Changer l'huile lorsque le moteur est encore chaud du fonctionnement, de la manière suivante :

1. S'assurer que l'unité est sur une surface équilibrée.
2. Débrancher le fil de bougie d'allumage et l'écarter de sorte qu'il ne puisse toucher la bougie.
3. Nettoyer le secteur situé autour du capuchon de vidange de l'huile (A) (Figure 34). Le capuchon de vidange de l'huile est situé à la base du moteur, en face du carburateur.
4. Enlever le capuchon du réservoir d'huile (Figure 32).
5. Retirer le capuchon de vidange de l'huile et vider toute l'huile dans un récipient approprié.
6. Réinstaller le capuchon de vidange de l'huile et serrer soigneusement.

**Figure 34 – Capuchon de vidange de l'huile**

7. Verser lentement l'huile (environ 20 onces) dans l'orifice du réservoir d'huile jusqu'au niveau approprié dans la jauge. NE PAS trop remplir.
8. Réinstaller le capuchon du réservoir d'huile Serrer le capuchon solidement à la main.
9. Nettoyer toute éclaboussure d'huile.
10. Jeter l'huile adéquatement selon tous les règlements locaux.

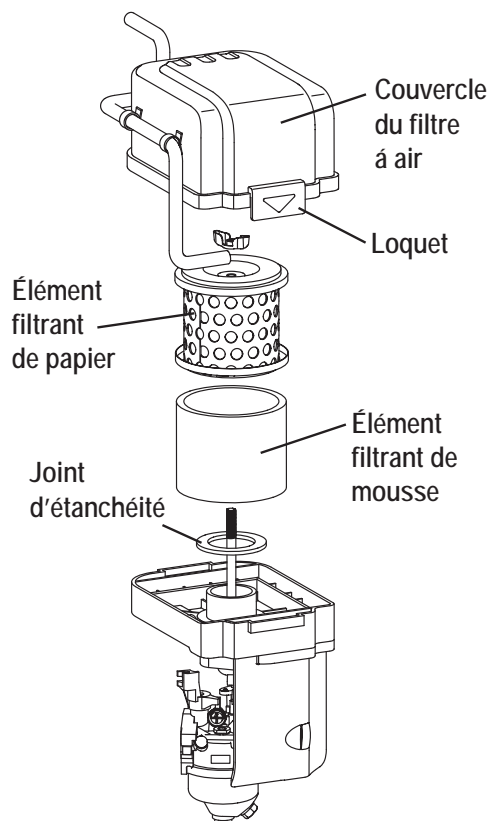
## ENTRETIEN DU FILTRE À AIR

Votre moteur ne fonctionnera pas correctement et peut être endommagé si vous le faites fonctionner avec un filtre à air sale. L'entretenir plus souvent si l'appareil fonctionne en conditions poussiéreuses ou sales.

Pour entretenir le filtre à air, suivez les étapes suivantes :

1. Tirez sur le loquet du carter de la laveuse pour le retirer (figure 35).
2. Desserrez l'écrou à oreilles.
3. Retirez délicatement l'ensemble filtrant.
4. Retirez le filtre en mousse.
5. Pour nettoyer la cartouche, tapotez-la délicatement sur une surface plate.
6. Réinstallez un filtre de mousse.
7. Installez une cartouche propre ou neuve.
8. Remettez l'écrou à oreilles et serrez-le.
9. Installez le couvercle en fermant le loquet.

**Figure 35 - Entretenir le filtre à air**

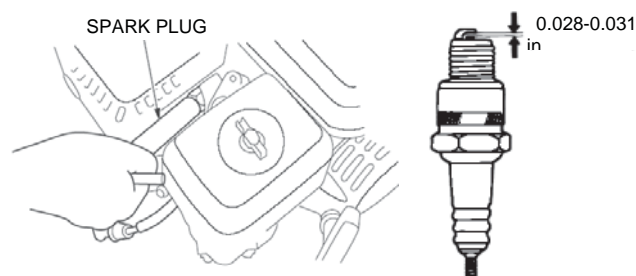


## ENTRETIEN DE LA BOUGIE D'ALLUMAGE

Le changement de la bougie aidera votre moteur à démarrer plus facilement et à mieux fonctionner.

1. Nettoyer le secteur situé autour de la bougie d'allumage.
2. Enlever et vérifier la bougie (Figure 36).
3. Vérifier l'écartement des électrodes à l'aide d'une jauge d'épaisseur à fils et réinitialiser l'écartement de bougie selon l'écartement recommandé si nécessaire (voir les spécifications).
4. Remplacer la bougie si les électrodes sont piquées, brûlées ou si la porcelaine est fissuré. Utiliser la bougie de rechange recommandée. Voir les spécifications.
5. Installer la bougie et serrer fermement.

**Figure 36 - Changer la bougie d'allumage**



## VÉRIFIER LE POT D'ÉCHAPPEMENT ET LE PARE-ÉTINCELLES

Vérifier le pot d'échappement pour toute fissure, corrosion ou d'autres dommages. Retirer le pare-étincelles, le cas échéant, et vérifier pour tout dommage ou obstruction de carbone. Si des pièces de remplacement sont nécessaires, assurez-vous d'utiliser uniquement des pièces de remplacement originales de l'appareil.

### DÉPOSE DE L'ÉCRAN PARE-ÉTINCELLES

Outils nécessaires : Clé polygonale de 8 mm

1. Retirez le bouclier thermique du silencieux en dévissant les quatre (4) boulons (A) (figure 37).
2. Retirez le pare-étincelles du silencieux en desserrant les deux (2) boulons (B) (figure 38).
3. Inspectez le pare-étincelles, remplacez-le s'il est déchiré, perforé ou abîmé (n° pièce OK1851). N'UTILISEZ JAMAIS UN ÉCRAN ABÎMÉ.
4. Si l'écran n'est pas abîmé, nettoyez-le avec un solvant commercial et remettez-le en place.

Figure 37 – Dépose du bouclier thermique

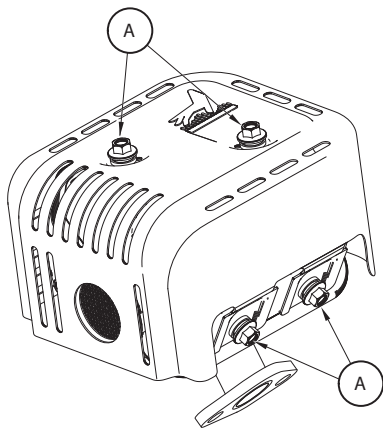
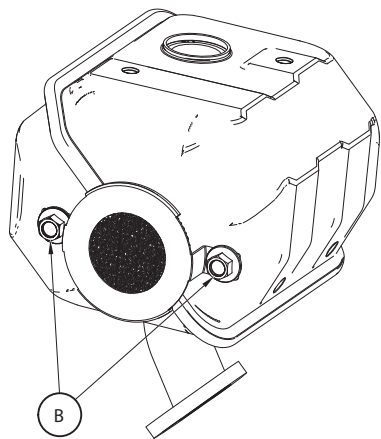


Figure 38 – Dépose du pare-étincelles



**⚠ AVERTISSEMENT**



Le contact avec la zone du pot d'échappement peut provoquer des blessures sérieuses. La chaleur/les gaz d'échappement peuvent enflammer les combustibles, des structures ou endommager le réservoir de carburant provoquant un incendie.

- NE PAS toucher les pièces chaudes et ÉVITER les gaz d'échappement chauds.
- Laisser refroidir l'appareil avant de toucher.
- Garder au moins 5 pieds (152 cm) de dégagement sur tous les côtés de la laveuse à pression, y compris la partie supérieure.
- L'utilisation ou le fonctionnement du moteur sur tout terrain couvert de forêt, broussailles ou herbes, est une violation du Code de ressources publiques de l'État de la Californie, Section 4442, à moins que le système d'échappement est équipé d'un pare-étincelles, tel que défini dans la Section 4442, maintenu en bon état de fonctionnement. D'autres États ou juridictions fédérales peuvent avoir des lois similaires. Contacter le fabricant de l'appareil d'origine, le distributeur ou le dépositaire afin d'obtenir un pare-étincelles conçu pour le système d'échappement installé sur ce moteur.
- Les pièces de rechange doivent être les mêmes et installées dans la même position que les pièces originales.

## APRÈS CHAQUE UTILISATION

Il n'est pas conseillé de laisser de l'eau dans l'appareil pendant de longues périodes. Des sédiments ou des minéraux peuvent se déposer sur les pièces de la pompe et la rendre inopérante. Suivez ces procédures après chaque utilisation :

1. Arrêter le moteur, éteindre l'approvisionnement d'eau, diriger le pistolet dans une direction sécuritaire et appuyer sur la gâchette pour relâcher la haute pression et laisser refroidir le moteur.

**⚠ DANGER**



Le jet d'eau à haute pression produit par cet appareil peut percer la peau et ses tissus sous-jacents, pouvant mener à des blessures sérieuses et une possible amputation. Le pistolet de pulvérisation retient la haute pression de l'eau, même lorsque le moteur est arrêté et l'eau est débranchée, ce qui peut causer des blessures.

- Toujours garder le tuyau à haute pression raccordé à la pompe et au pistolet de pulvérisation lorsque le système est sous pression.
  - TOUJOURS diriger le pistolet de pulvérisation dans une direction sécuritaire, presser la gâchette du pistolet de pulvérisation pour relâcher la haute pression chaque fois que vous arrêtez le moteur. Engager le verrou de la gâchette lorsqu'il n'est pas utilisé.
2. Débrancher les tuyaux du pistolet de pulvérisation et de la sortie de haute pression sur la pompe. Vider l'eau des tuyaux, du pistolet de pulvérisation et de la lance. Utiliser un chiffon pour essuyer le tuyau.
  3. Vider la pompe de tous les liquides pompés. Vérifier que l'interrupteur ON/OFF du moteur et que le robinet de carburant sont à la position OFF. Ensuite, tirez la poignée environ six fois. Cela devrait éliminer la plupart des liquides dans la pompe.
  4. Conservez l'unité dans un endroit propre et sec.
  5. Si elle est entreposée pendant plus de 30 jours, consultez la section Entreposage de longue durée.

**⚠ AVERTISSEMENT**



Le carburant et ses vapeurs sont extrêmement inflammables et explosives. Un incendie ou une explosion peut provoquer des brûlures graves ou la mort.

### ENTREPOSAGE D'ESSENCE OU D'UN ÉQUIPEMENT DONT LE RÉSERVOIR CONTIENT DE L'ESSENCE.

- NE PAS entreposer à proximité de fours, poêles, chauffe-eau, sèche-linge ou d'autres équipements susceptibles de comporter une veilleuse ou une source potentielle d'inflammation des vapeurs d'essence.

## ENTREPOSAGE D'HIVER

### REMARQUE :

**Vous devez protéger votre appareil contre les températures de congélation.**

- Le fait de ne pas effectuer ceci peut provoquer des dommages permanentes à la pompe et rendre votre appareil inutilisable.
- Les dommages provoqués par congélation ne sont pas couverts par la garantie.

Pour protéger l'appareil contre les températures de congélation :

1. Suivre les étapes 1-3 dans la section précédente après chaque utilisation.
2. Utiliser le protecteur de pompe pour traiter la pompe. Cela minimise les dommages pour congélation et lubrifie les pistons et les joints.
3. Si le protecteur de pompe n'est pas disponible, brancher une section de 3 pieds du tuyau d'arrosage à l'adaptateur d'entrée d'eau. Verser l'antigel pour véhicules récréatifs (antigel sans alcool) dans le tuyau. Tirez la poignée deux fois. Débrancher le tuyau de 3 pieds.
4. Conservez l'unité dans un endroit propre et sec.

## ENTREPOSAGE À LONG TERME

Si vous ne prévoyez pas utiliser la laveuse à pression pour plus de 30 jours, vous devez préparer le moteur et la pompe pour l'entreposage à long terme.

### PROTÉGER LE SYSTÈME D'ALIMENTATION EN CARBURANT

Le carburant peut être vicié après un entreposage de plus de 30 jours. L'essence vicié provoque des dépôts d'acide et de gomme dans le système de carburant ou sur les pièces essentielles du carburateur. Pour garder le carburant frais, utiliser un stabilisateur de carburant, disponible sous forme d'additif liquide ou une cartouche de gouttes concentrées.

Il n'est pas nécessaire de vider le carburant du moteur si un stabilisateur de carburant est ajouté conformément aux instructions. Faire fonctionner le moteur pendant 2 minutes pour faire circuler le stabilisateur dans le système de carburant. Le moteur et le carburant peuvent ainsi être conservés jusqu'à 24 mois.

Si l'essence dans le moteur n'a pas été traitée avec un stabilisateur de carburant, elle doit être versée dans un contenant approuvé. Faire fonctionner le moteur jusqu'à ce qu'il s'arrête à cause de la manque de carburant. L'utilisation d'un stabilisateur de carburant dans le récipient de rangement est recommandé pour conserver la fraîcheur.

### PROTECTION DU MOTEUR

1. Changez l'huile du moteur.
2. Retirez la bougie.
3. Versez une cuillère à table (5 à 10 cc) d'huile à moteur propre dans le cylindre.
4. Tirez plusieurs fois le câble du démarreur pour répartir l'huile dans le cylindre.
5. Remplacez la bougie.
6. Tirez doucement sur le câble du démarreur jusqu'à sentir une résistance. De cette manière, vous fermez les soupapes afin que l'humidité ne puisse pas pénétrer dans le cylindre du moteur. Relâchez doucement le câble du démarreur.

## CHANGER D'HUILE

Tandis que le moteur est encore chaud, évacuez l'huile du carter du moteur. Rechargez avec le degré recommandé. Voir la section Changer l'huile du moteur dans l'Entretien du moteur.

### ⚠ ATTENTION !



**De l'huile chaude peut entraîner des brûlures. Laisser le moteur refroidir avant de vidanger l'huile. Éviter un contact prolongé ou répété de la peau avec de l'huile usagée. Laver minutieusement les zones exposées avec du savon.**

## PROTÉGER LA POMPE

Pour protéger la pompe des dégâts causés par les dépôts minéraux ou le gel, utilisez de l'antigel PumpSaver ou RV pour traiter la pompe, éviter les dommages dus au gel et lubrifier les pistons et les joints.

- L'absence d'antigel risque d'endommager irrémédiablement votre pompe et de rendre l'appareil inutilisable.
- Les dégâts dus au gel ne sont pas couverts par la garantie.

Pour protéger l'appareil contre le gel :

1. Après chaque utilisation, suivez les étapes 1 à 3 de la section précédente.
2. Traitez la pompe avec du PumpSaver pour éviter les dommages dus au gel et lubrifier les pistons et les joints.
3. Si vous n'en avez pas, branchez une section de 1 mètre (3 pieds) de tuyau d'arrosage à la prise d'eau. Versez de l'antigel RV (sans alcool) dans le tuyau. Tirez deux fois sur le démarreur à rappel. Débranchez le tuyau de 1 mètre (3 pieds).
4. Rangez l'appareil dans un endroit sec et propre.

## AUTRES INSTRUCTIONS D'ENTREPOSAGE

1. NE PAS entreposer le carburant d'une saison à l'autre à moins qu'il n'ait été traité comme décrit à la section Protection du système de carburant.
2. Remplacer le réservoir de carburant s'il commence à rouiller. La rouille et / ou la saleté dans le carburant peut causer des problèmes s'il est utilisé avec cet appareil.
3. Couvrir l'appareil avec une couverture de protection adéquate qui ne retient pas l'humidité.

### ⚠ AVERTISSEMENT



**Les couvertures de rangement peuvent être inflammables.**

- NE PAS placer une couverture de rangement sur une laveuse à pression chaude.
  - Laisser refroidir l'appareil pendant un temps suffisant avant de placer la couverture sur l'appareil.
4. Conservez l'unité dans un endroit propre et sec.

## TRANSPORT/INCLINAISON DE L'APPAREIL

Ne faites pas fonctionner, ne rangez pas et ne transportez pas l'appareil à un angle supérieur à 15 degrés.

## GUIDE DE DÉPANNAGE

PROBLÈME	CAUSE	CORRECTION
<b>La pompe rencontre les problèmes suivants: impossible de monter en pression, pression intermittente, à coups de pression, faible débit d'eau.</b>	<ol style="list-style-type: none"> <li>1. Buse à basse pression installée.</li> <li>2. Entrée d'eau obstruée.</li> <li>3. Alimentation en eau inadéquate.</li> <li>4. Pincement ou fuite sur le tuyau d'entrée.</li> <li>5. Filtre d'entrée du tuyau obstrué.</li> <li>6. Température d'eau supérieure à 35 °C.</li> <li>7. Colmatage ou fuite du tuyau à haute pression.</li> <li>8. Fuite du pistolet de pulvérisation.</li> <li>9. La buse est obstruée.</li> <li>10. Pompe défectueuse.</li> </ol>	<ol style="list-style-type: none"> <li>1. Remplacer par une buse à pression élevée</li> <li>2. Nettoyer l'entrée.</li> <li>3. Fournir un débit d'eau adéquat.</li> <li>4. Éliminer le pincement, réparer la fuite.</li> <li>5. Vérifier et nettoyer le filtre d'entrée du tuyau.</li> <li>6. Fournir une alimentation d'eau plus froide.</li> <li>7. Supprimer les obstruction dans le tuyau de sortie ou remplacer le tuyau.</li> <li>8. Remplacer le pistolet de pulvérisation.</li> <li>9. Nettoyer la buse.</li> <li>10. Contacter un centre de service local.</li> </ol>
<b>Le détergent ne se mélange pas avec le jet d'eau.</b>	<ol style="list-style-type: none"> <li>1. Tuyau à siphon non immergé dans le détergent.</li> <li>2. Le filtre/ tuyau à siphon de détergent est obstrué ou brisé.</li> <li>3. Buse à pression élevée installée.</li> </ol>	<ol style="list-style-type: none"> <li>1. Faire plonger le tuyau à siphon dans le détergeant</li> <li>2. Nettoyer ou remplacer le filtre ou le tuyau à siphon de détergent.</li> <li>3. Remplacer par une buse à basse pression.</li> </ol>
<b>Le moteur tourne bien à vide mais a des ratés en charge.</b>	<ol style="list-style-type: none"> <li>1. Régime moteur trop faible.</li> </ol>	<ol style="list-style-type: none"> <li>1. Déplacer la commande de régulateur en position FAST (rapide). Si le moteur continue a fonctionner « incorrectement », contacter le centre de service local.</li> </ol>
<b>Le moteur ne démarre pas; ou démarre mais fonctionne irrégulièrement.</b>	<ol style="list-style-type: none"> <li>1. Niveau bas d'huile, « Système d'alerte d'huile »</li> <li>2. Filtre à air sale.</li> <li>3. Plus de carburant.</li> <li>4. Carburant vicié.</li> <li>5. Le fil de la bougie n'est pas branché à la bougie d'allumage.</li> <li>6. Bougie d'allumage défectueuse.</li> <li>7. Eau dans le carburant.</li> <li>8. Mélange de carburant trop riche.</li> </ol>	<ol style="list-style-type: none"> <li>1. Remplir le carter du moteur au niveau approprié.</li> <li>2. Nettoyer ou remplacer le filtre à air.</li> <li>3. Remplir le réservoir de carburant.</li> <li>4. Vider le réservoir de carburant ; remplir avec du carburant neuf.</li> <li>5. Brancher le fil à la bougie d'allumage.</li> <li>6. Remplacez la bougie d'allumage.</li> <li>7. Vider le réservoir de carburant ; remplir avec du carburant neuf.</li> <li>8. Contacter un centre de service local.</li> </ol>
<b>Le moteur s'arrête inopinément.</b>	<ol style="list-style-type: none"> <li>1. Plus de carburant.</li> </ol>	<ol style="list-style-type: none"> <li>1. Remplir le réservoir de carburant.</li> </ol>
<b>Manque de puissance.</b>	<ol style="list-style-type: none"> <li>1. Filtre à air sale.</li> </ol>	<ol style="list-style-type: none"> <li>1. Remplacez le filtre à air.</li> </ol>

