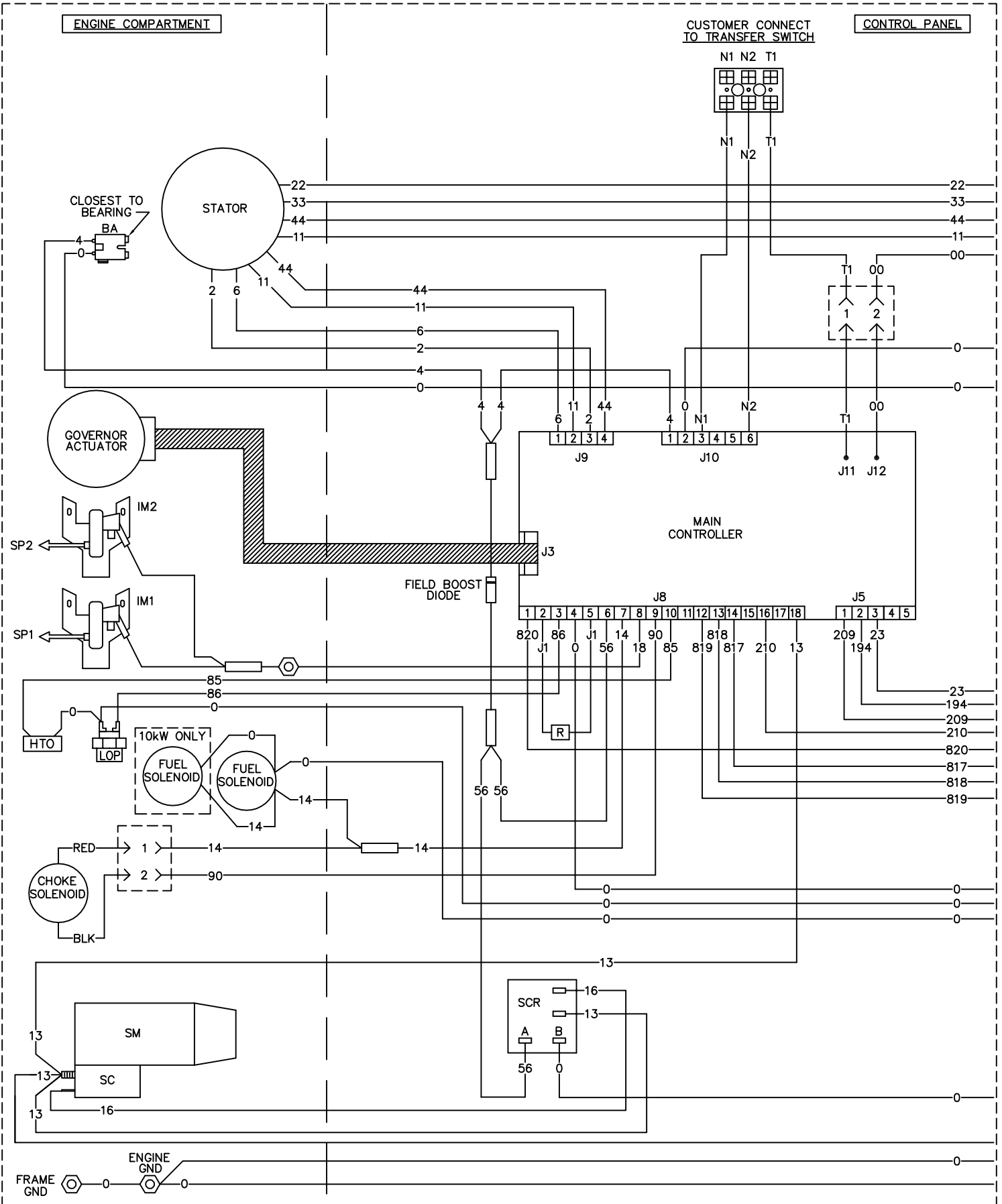


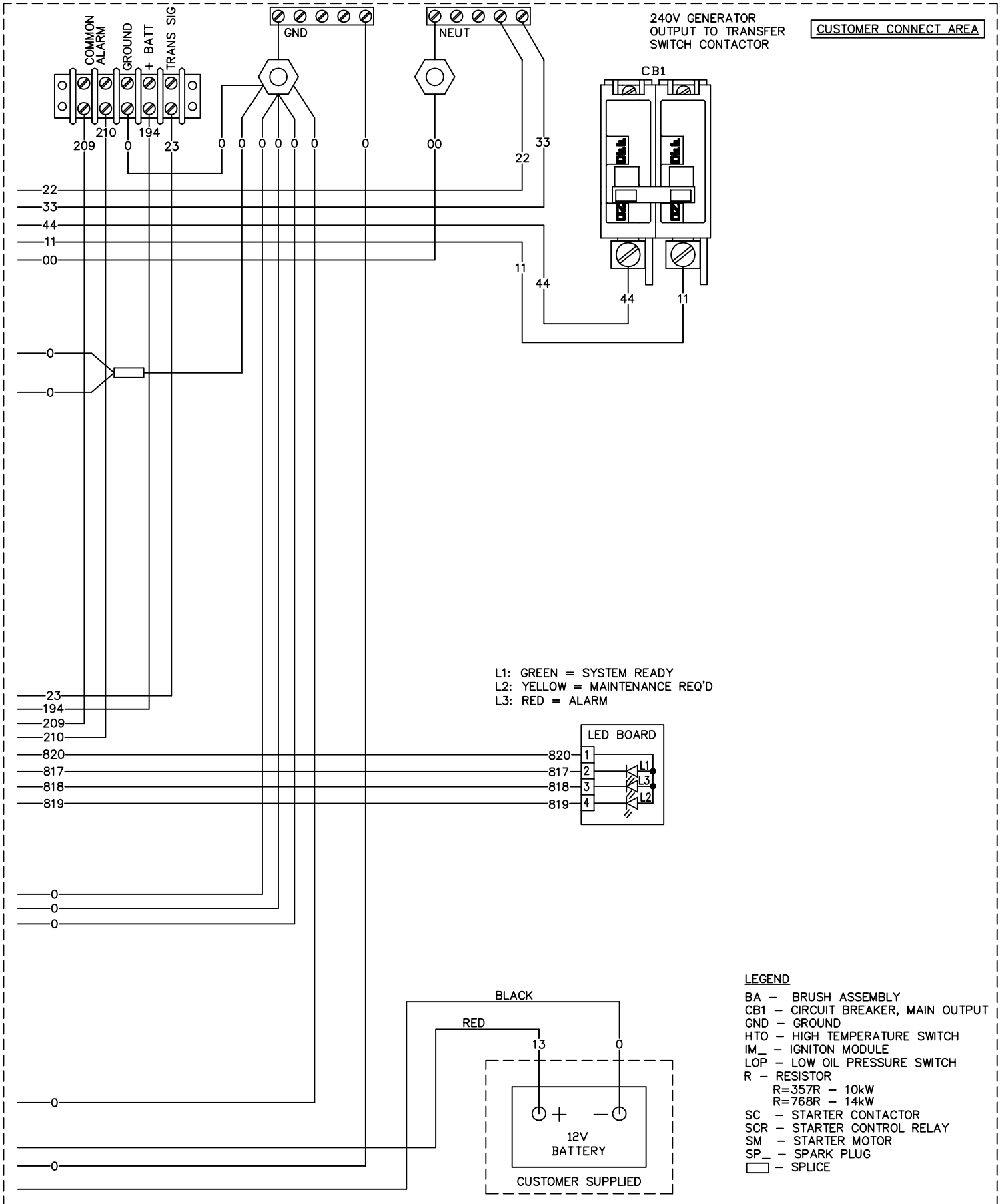
# GROUP G



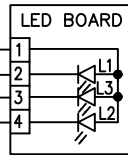
WIRING - DIAGRAM  
 2011 AIR COOLED V-T HSB  
 DRAWING #: 0J3000

REVISION: -A-  
 DATE: 11/23/10

# GROUP G



L1: GREEN = SYSTEM READY  
 L2: YELLOW = MAINTENANCE REQ'D  
 L3: RED = ALARM



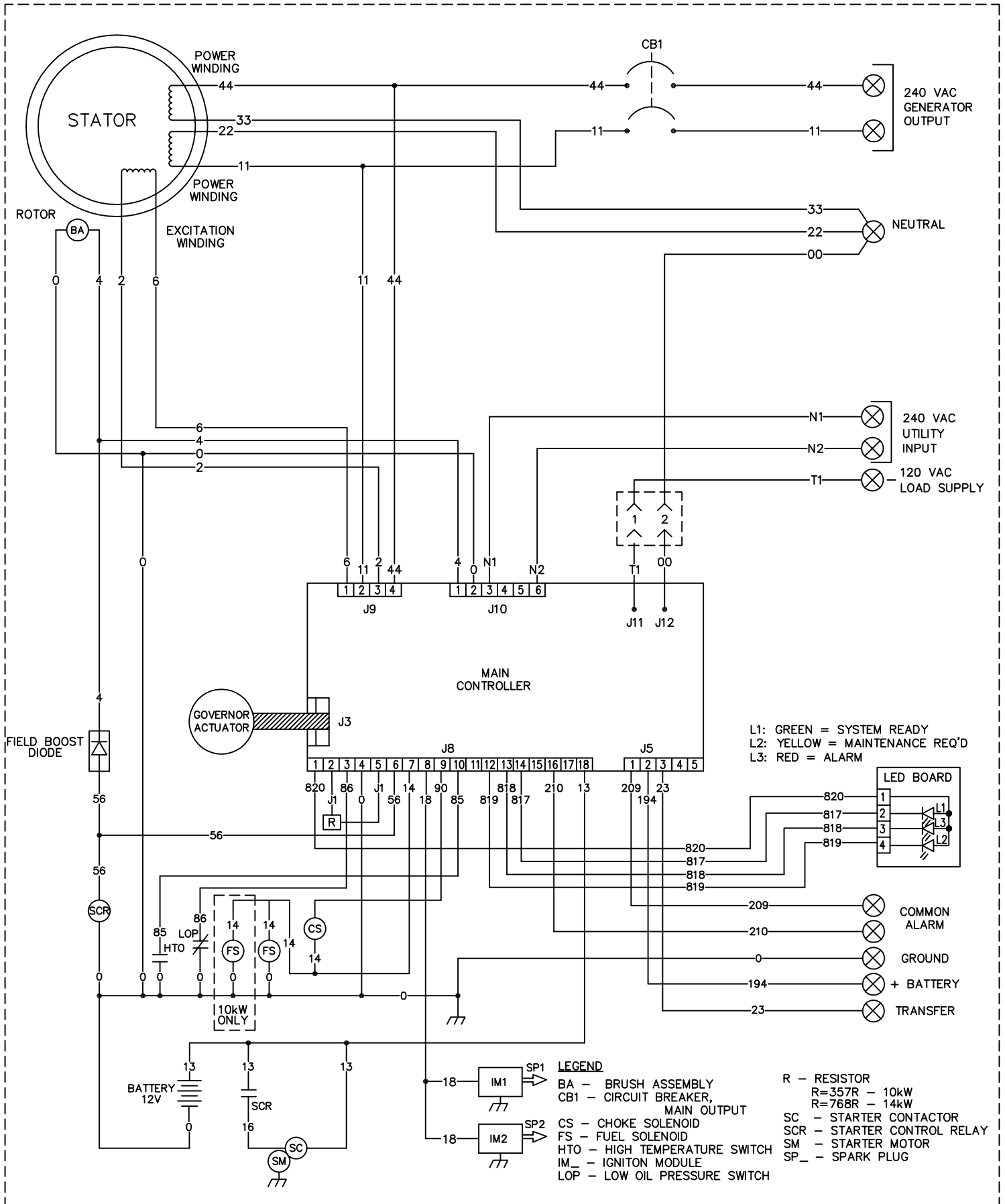
## LEGEND

- BA - BRUSH ASSEMBLY
- CB1 - CIRCUIT BREAKER, MAIN OUTPUT
- GND - GROUND
- HTO - HIGH TEMPERATURE SWITCH
- IM\_ - IGNITION MODULE
- LOP - LOW OIL PRESSURE SWITCH
- R - RESISTOR
- R=357R - 10kW
- R=768R - 14kW
- SC - STARTER CONTACTOR
- SCR - STARTER CONTROL RELAY
- SM - STARTER MOTOR
- SP\_ - SPARK PLUG
- - SPLICE

WIRING - DIAGRAM  
 2011 AIR COOLED V-T HSB  
 DRAWING #: 0J3000

REVISION: -A-  
 DATE: 11/23/10

# GROUP G



REVISION: -A-  
DATE: 11/23/10

SCHMATIC - DIAGRAM  
2011 AIR COOLED V-T HSB  
DRAWING #: 0J3000