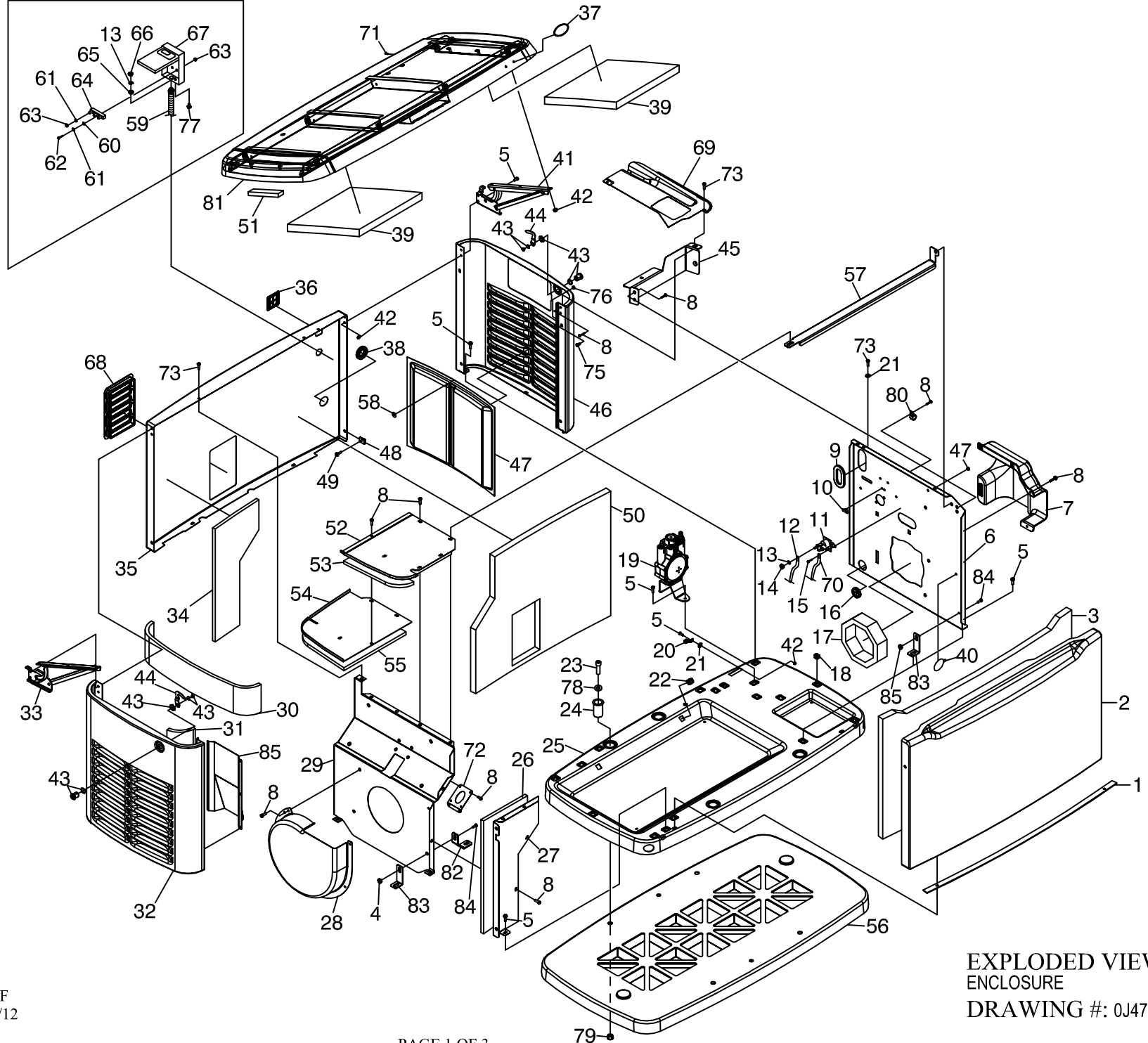


PRE PACKAGED UNITS ONLY



REVISION: F
DATE: 8/20/12

EXPLODED VIEW:
ENCLOSURE
DRAWING #: 0J4730

EXPLODED VIEW: ENCLOSURE
DRAWING #: 0J4730

APPLICABLE TO: 2011 HSB
SERIAL UP TO: TBD

ITEM	PART #	QTY.	DESCRIPTION
1	0G7890	1	GASKET, DOOR SEAL
2	0G9377A	1	ENCLOSURE FRONT PANEL
3	0G7779	1	FOAM, FRONT PANEL ENCLOSURE
4	0E8388	4	NUT HEX FL WHIZ M6-1.0 (17KW ALUM, 20KW)
5	0C8566	19	SCREW HHFC M6-1.0 X 20 (8KW, 10KW)
	0C8566	20	SCREW HHFC M6-1.0 X 20
6	0H6906	1	PANEL, ENGINE DIVIDER (8KW)
	0H6909	1	PANEL, ENGINE DIVIDER (10KW)
	0H6910	1	PANEL, ENGINE DIVIDER
7	0G7240	1	BAFFLE, INTAKE (8KW, 10KW)
	0G8287	1	BAFFLE, INTAKE
8	090388	25	SCREW TAPTITE M6-1.0X12 (8KW)
	090388	24	SCREW TAPTITE M6-1.0X12 (10KW)
	090388	20	SCREW TAPTITE M6-1.0X12 (12 - 20KW)
9	0D3472	1	GROMMET OVAL 31.75 X 50.8 (8KW)
	0D3472	2	GROMMET OVAL 31.75 X 50.8
10	0F8039	1	MOUNTING CLIP
11	086729	1	CONTACTOR, STARTER (8KW)
12	0388040AJ0	1	CABLE, #6 RED BATTERY 38.5"
13	022097	2	WASHER, LOCK M6-1/4" (8KW)
	022097	1	WASHER, LOCK M6-1/4"
14	022127	1	NUT HEX 1/4-20 (8KW ONLY)
15	043116	2	SCREW HHC, M6-1.0 X 12 (8KW)
16	0E1330	1	GROMMET, Ø38.1 CROSS SLIT
17	0G7880	1	GASKET, ENGINE DIVIDER (8KW)
	0F8434	1	GASKET, ENGINE DIVIDER (10KW)
	0F8847	1	GASKET, ENGINE DIVIDER
18	0G7225	17	PANEL CLIP, M6-1.00
19	SEE SHEET 3	1	REGULATOR ASSEMBLY (8KW)
	0G7622D	1	REGULATOR ASSEMBLY (10KW)
	0G7581	1	PRESSURE STABILIZER REGULATOR ASSEMBLY
20	055414	1	LUG SLDLSS #2-#8 X 17/64 CU
21	0A1658	2	LOCK WASHER, SPECIAL 1/4
22	0G7225A	4	PANEL CLIP, 5/16-18
23	0H1958	4	SCREW, SHC-3/8-16 WITH LOCKING PATCH
24	0G7786A	4	BUSHING
25	0G6610	1	ENCLOSURE, BASE
26	0G7843	1	FOAM, FRONT EXHAUST SHIELD
	0G7849	1	FOAM, FRONT EXHAUST SHIELD (20KW)
27	0G6623	1	FRONT EXHAUST SHIELD
	0G7421	1	FRONT EXHAUST SHIELD (20KW)
28	0H7463	1	SCROLL, FAN (8KW, 10KW)
29	0H6902A	1	PANEL, EXHAUST DIVIDER (8KW)
	0H6902B	1	PANEL, EXHAUST DIVIDER (10KW)
	0H6902C	1	PANEL, EXHAUST DIVIDER (12 - 17KW)
	0H6902D	1	PANEL, EXHAUST DIVIDER (17KW ALUMINUM)
	0H6905	1	PANEL, EXHAUST DIVIDER (20KW)
30	0G7775	1	FOAM, EXHAUST END PANEL
31	0G7775A	2	FOAM, EXHAUST END PANEL SIDES
32	0G6612C	1	ENCLOSURE, EXHAUST SIDE PANEL
33	0H6922A	1	HINGE ASSEMBLY - LEFT SIDE
34	0G7842	1	FOAM, BACK EXHAUST COMPARTMENT
35	0G6614B	1	ENCLOSURE, BACK PANEL
36	0H1208A	1	RF COVER PLATE, PLASTIC - BISQUE
	0H1208B	1	RF COVER PLATE, PLASTIC - GRAY
37	0G8160	1	BADGE HOLDER - OVAL
	0G8994	1	BADGE HOLDER - RECTANGLE
38	0E1330A	1	GROMMET, Ø38.1 CROSS SLIT WITH HOLE
39	0G7774A	3	1.00" THICK FOAM, ENCLOSURE ROOF
40	0G0132	1	PUSHBUTTON WIRE TIE

ITEM	PART #	QTY.	DESCRIPTION
41	0H6922B	1	HINGE ASSEMBLY - RIGHT SIDE
42	0D3700	11	NUT, LOCKING FLANGE M6-1.00(8KW)
	0D3700	9	NUT, LOCKING FLANGE M6-1.00(10 - 20KW)
43	0G6624	2	1/4 TURN LOCKING HATCH
44	0G6626	2	LATCH PAWL
45	0H6914	1	BRACKET, CONTROL PNL FRONT (8KW, 10KW)
	0H6915	1	BRACKET, CONTROL PNL FRONT
46	0G6612	1	ENCLOSURE END PANEL
47	0G7258	2	SCREEN
48	0G7252	2	U-CLIP, M6-1.00
49	0G1705	2	SCREW HHFC M6-1.0 X 14
50	0G7829	1	FOAM, ENCLOSURE BACK PANEL
51	0E5968	11 FT	GASKET, EXTRUDED TRIM
52	0G6812	1	COVER, FRONT TOP EXHAUST
53	0G7778	1	FOAM, FRONT TOP EXHAUST COVER
54	0G6811	1	COVER, BACK TOP EXHAUST
55	0G7776	1	FOAM, BACK TOP EXHAUST COVER
56	0G6619A	1	MOUNTING PAD
57	0H7194	1	CROSS SUPPORT (8KW, 10KW)
	0H7195	1	CROSS SUPPORT (12 - 20KW)
58	0G8166	12	WASHER, SELF LOCKING
59	0H7217	1	HARNESS GENERATOR TO EXTERNAL CONNECTION BOX (8KW, 10KW)
	0H7218	1	HARNESS GENERATOR TO EXTERNAL CONNECTION BOX
60	051713	2	WASHER FLAT M5
61	022152	5	WASHER LOCK #10
62	036937	2	SCREW PPHM#10-32 X 1
63	022158	5	NUT HEX #10-32
64	0C8911	1	POWER BLOCK
65	026850	1	WASHER SHAKEPROOF EXT 1/4 STEEL
66	049813	1	NUT HEX M6-1.0
67	0G0617	1	EXTERNAL CONNECTION BOX
68	0G7253	1	LOUVER, SNAP IN
69	0H6911A	1	CONTROL PANEL FASCIA (8KW, 10KW)
	0H6911B	1	CONTROL PANEL FASCIA (12 - 20KW)
70	0742600179	1	WIRE ASSY, CNTRL TO STARTER (8KW ONLY)
71	0G8131	1	PLUG 6.35 BLACK
72	0G8361B	1	GASKET, EXHAUST DIVIDER (12 - 17KW)
	0G8361C	1	GASKET, EXHAUST DIVIDER (20KW)
	0G8361D	1	GASKET, EXHAUST DIVIDER (8KW, 10KW)
73	0G4933B	5	SCREW SWT 1/4-20 X 5/8 (8KW, 10KW)
	0G4933B	6	SCREW SWT 1/4-20 X 5/8 (12 - 20KW)
75	0G9386	2	THREADED SPACER M6-1.0
76	052857	2	NUT TOP LOCK FLANGE M6-1.0
77	047411	1	SCREW HHC, M6-1.0 X 16
78	022131	4	WASHER FLAT 3/8
79	022241	4	NUT, HEX 3/8-16
80	055934D	1	CLAMP STL/VNL 1.06 X 0.406Z
81	0G9412	1	ENCLOSURE ROOF ASSY, GALV. BISQUE
	0G9413	1	ENCLOSURE ROOF ASSY, GALV. GRAY
	0G9414	1	ENCLOSURE ROOF ASSY, ALUMINUM GRAY
	0H4788	1	ENCLOSURE ROOF ASSY, ALUMINUM BISQUE
82	0H8003	2	BRACKET, EXHAUST (20KW ONLY)
83	0H8713	2	BRACKET, L (20KW)
	0H8713	4	BRACKET, L (17KW ALUMINUM)
84	0C8563	4	SCREW HHFC M6-1.0 X 12 (17KW ALUM, 20KW)
85	SEE SHEET 3		

EXPLODED VIEW: ENCLOSURE

DRAWING #: 0J4730

APPLICABLE TO: 2011 HSB

8KW MODELS

UP TO SERIAL# 6769081

ITEM	PART #	QTY.	DESCRIPTION
19	0G7622C	1	REGULATOR ASSEMBLY (8KW)

FROM SERIAL# 6769082

ITEM	PART #	QTY.	DESCRIPTION
19	0G7622H	1	REGULATOR ASSEMBLY (8KW)

13KW-20KW MODELS

UP TO SERIAL# 6464943

AND FROM SERIAL# 6464965

UP TO SERIAL# 6468042

ITEM	PART #	QTY.	DESCRIPTION
85	0H7226	1	EXHAUST BAFFLE (12 - 20KW)

FROM SERIAL# 6464944

UP TO SERIAL# 6464964

AND FROM SERIAL# 6468043

ITEM	PART #	QTY.	DESCRIPTION
85	ITEM REMOVED		