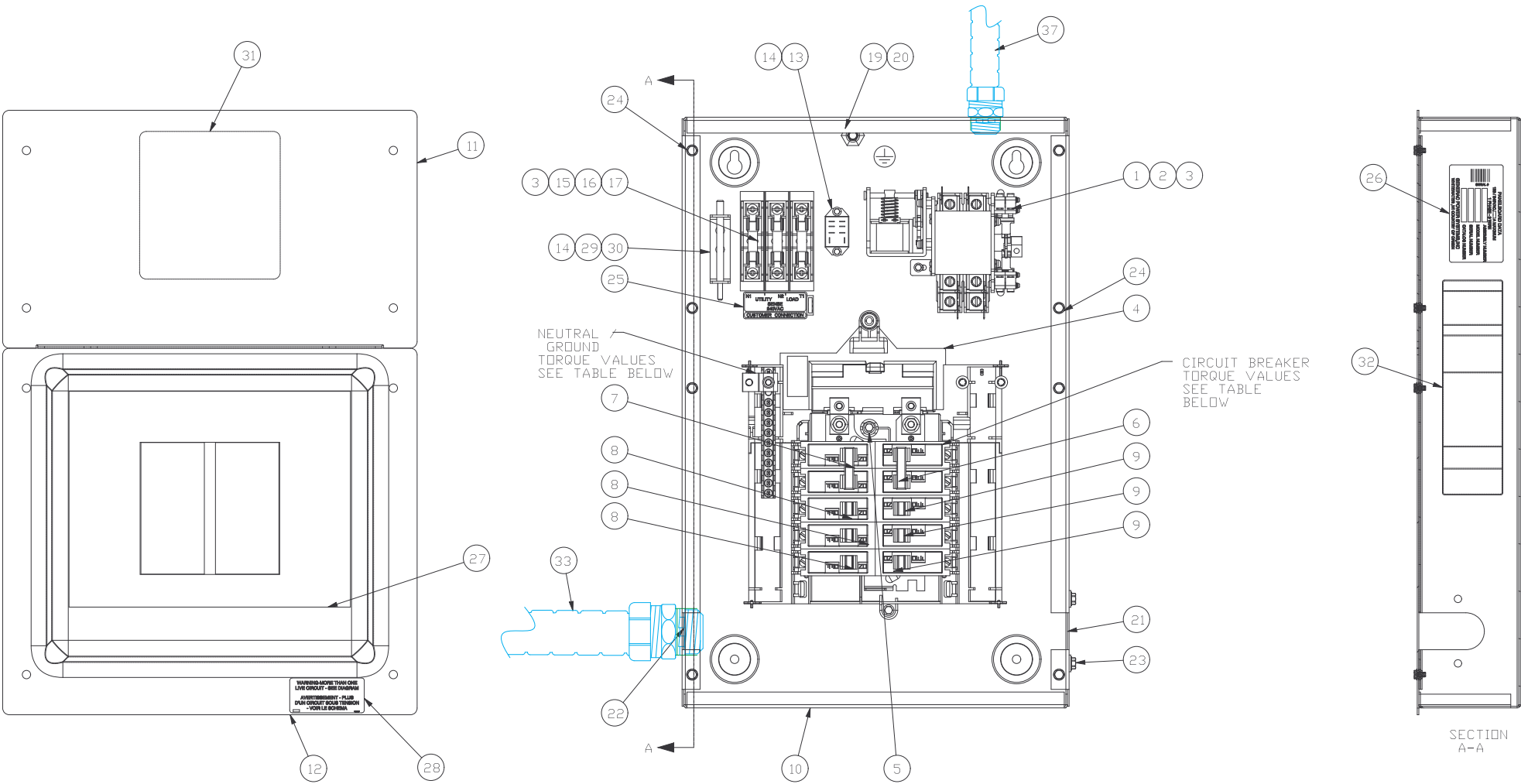


GROUP G



EXPLODED VIEW: EV RTG LCTR ASSY 10 CIR-GENERAC

DRAWING #: 0H6426B

GROUP G

ITEM	PART#	QTY.	DESCRIPTION
1	0J6600	1	XFRSW 50A 2P 240V
2	0K0800	6	LUG SLDLSS 1/0-#14X9/16 AL/CU
3	045764	4	SCREW HHTT M4-0.7 X 8 ZP
4	0E7889	1	12CIR L/CENTR 125A/240V SIEMS
5	0C2267	2	SCREW HHTT M5-0.8 X 12 BP
6	0E7888	1	CB 0020A 2P PLUG IN SIEMENS
7	0E7888A	1	CB 0030A 2P PLUG IN SIEMENS
8	0E7888B	3	CB 0015A 1P PLUG IN SIEMENS
9	0E7888C	3	CB 0020A 1P PLUG IN SIEMENS
10	0K29660ST0R	1	ENCLOSURE 10-12 POS. RTSG LC RAW
11	0K30000ST0R	1	COVER TOP 10-12 POS. RTSG LC RAW
12	0K30050ST0R	1	COVER 10 POS. RTSG LC RAW
(2)13	0K0103	1	RELAY PNL 12VDC DPDT 10A@240VA
14	0F2659	4	SCREW HHTT M3-0.5 X 6 BP
15	0J4492	1	INSULATOR, FUSE BLOCK
(2)16	073591	3	FUSEBLOCK 30A 600V 1POS
17	073590A	3	FUSE 5A X BUSS
18	0G8238	1	DECAL,UL PANELBOARD
19	0A1658	1	WASHER LOCK SPECIAL 1/4"
20	024912	1	SCREW HHTT 1/4-20 X 5/8 CZ
21	0G80860ST0R	1	HARNESS ENTRY COVER
22	0G8095AST0R	1	HARNESS ADAPTER PLATE 1-1/4" CONDUIT
23	0A7215	2	SCREW HWHS 1/4-20 X 5/8 NY/W
24	0A2111	8	SCREW HWHS #10-32 X 5/16 ZYC
25	0H6389	1	DECAL UTILITY LOAD SENSE 240V
26	0H6435A	1	DECAL DATA RTG SW.P/N 0H6426A
27	N/A	1	DECAL LC 10 CIRC.
28	095282	1	DECAL-LIVE CIRCUIT
(3)29	0E6155	1	PIN ARM EXTENDER
30	0E6193	1	BRACKET, ARM EXTENDER
31	0K3004	1	DECAL, TEST SEQUENCE
32	0K3006	1	DECAL MANUAL OPERATION - 5AMP FUSE
33	0H6421	1	HARN RTG-MAIN-PNL 10CIR W/NEUT
(1)34	0H6436A	1	HARNESS LC RTG INT.CONN10-16
(1)35	0H6436B	1	HARNESS LC RTG INT.CONN T1
(1)36	0H6436C	1	HARNESS LC RTG INT.CONN T2
37	0K3910	1	HARN GTS-EXT CONBOX 8-11KW
38	031980	5	TIE WRAP UL 14.6 X .14 NATL

- (1) NOT SHOWN ON THIS ASSEMBLY
- (2) SUPPLIED WITH HARNESS ITEM #36
- (3) SUPPLIED WITH ITEM #1