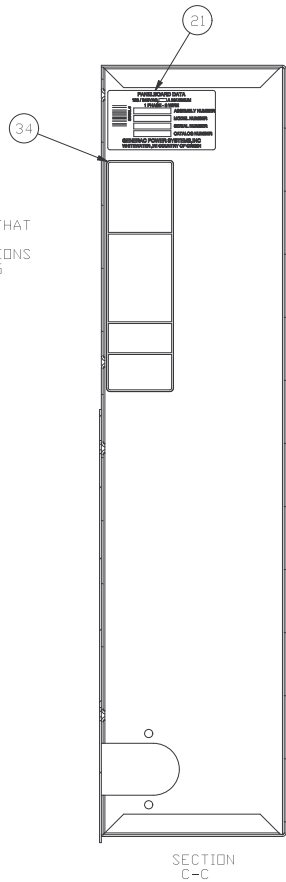
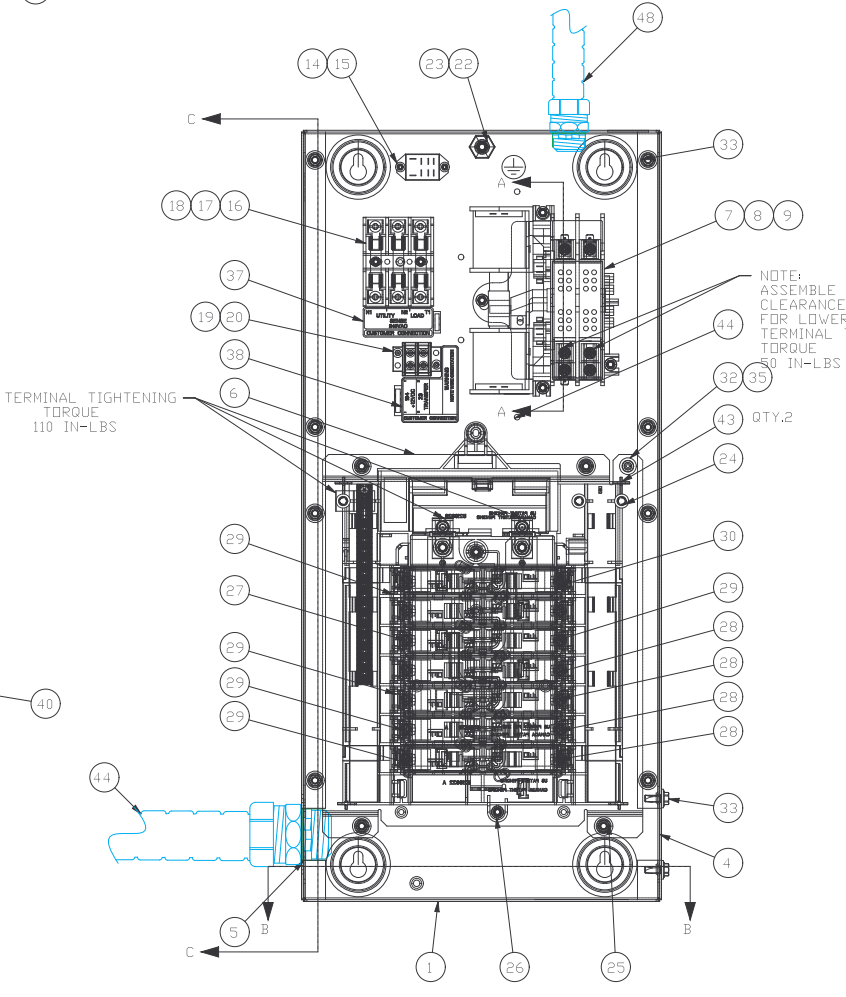
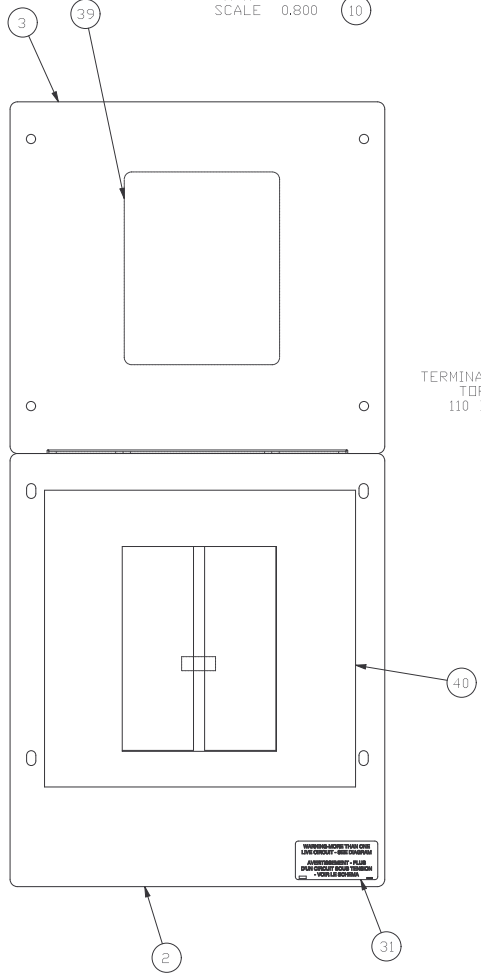
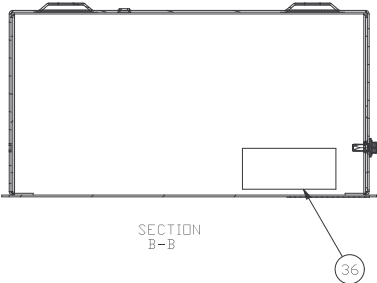
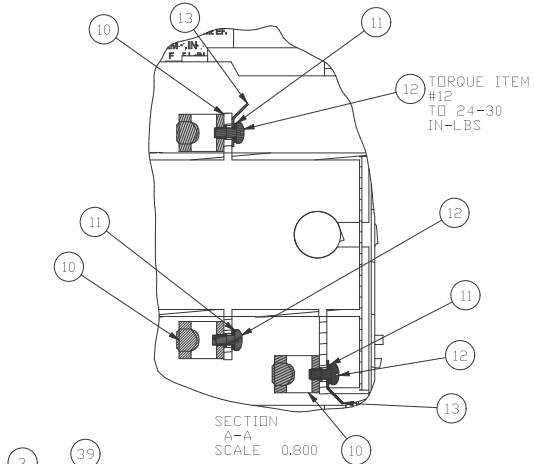


# GROUP G



**EXPLODED VIEW: LOAD CENTER ASSY 14 CIRCUIT**

**DRAWING #: 0H6428B**

**GROUP G**

| ITEM  | PART#       | QTY.  | DESCRIPTION                               |
|-------|-------------|-------|---|
| 1     | 0H64130ST0R | 1     | RTSG LOAD CENTER ENCLOSURE RAW            |
| 2     | 0H64170ST0R | 1     | COVER BOTTOM 14 POS. RTSG LOAD CENTER RAW |
| 3     | 0K18870ST0R | 1     | COVER TOP 10-16 POS. RTSG LOAD CENTER RAW |
| 4     | 0G80860ST0R | 1     | HARNESS ENTRY COVER                       |
| 5     | 0G8095AST0R | 1     | HARNESS ADAPTER PLATE                     |
| 6     | 0G81300ST0R | 1     | SUBPLATE LOAD CENTER                      |
| 7     | 0C2237      | 1     | XFRSW HSB 100A 2P 250V                    |
| 8     | 0C2380      | 1     | DECAL TRANSFER SWITCH ID 100A             |
| 9     | 074908      | 4     | SCREW HHTT M5-0.8 X 10 BP                 |
| 10    | 077033      | 6     | LUG SLDLSS 1/0-#14X9/16 AL/CU             |
| 11    | 022152      | 6     | WASHER LOCK #10                           |
| 12    | 036933      | 6     | SCREW PPHM #10-32 X 3/8                   |
| 13    | 074138      | 3     | LUG DIS QK NI-S 10X45 DEG BR/T            |
| (2)14 | 0K0103      | 1     | RELAY PNL 12VDC DPDT 10A@240VA            |
| 15    | 0F2659      | 2     | SCREW HHTT M3-0.5 X 6 BP                  |
| (2)16 | 0D2572      | 1     | FUSEBLOCK 30A 600V 3POS W/SQ              |
| 17    | 073590A     | 3     | FUSE 5A X BUSS                            |
| 18    | 045764      | 2     | SCREW HHTT M4-0.7 X 8 ZP                  |
| (2)19 | 048766      | 1     | BLOCK TERM 20A 2 X 6 X 1100V              |
| 20    | 0A1661      | 2     | RIVET POP .156 X .675 AL                  |
| 21    | 0H6435E     | 1     | DECAL DATA RTG SW.P/N 0H6428A             |
| 22    | 024912      | 1     | SCREW HHTT 1/4-20 X 5/8 CZ                |
| 23    | 0A1658      | 1     | WASHER LOCK SPECIAL 1/4"                  |
| 24    | 0F9213      | 1     | 16CIR L/CENTR 125A/240V SIEMS             |
| 25    | 0E4443      | 4     | SCREW HWHS 1/4-20 X 3/8" NY/W             |
| 26    | 066849      | 2     | SCREW HHTT M5-0.8 X 16                    |
| 27    | 0E7888      | 1     | CB 0020A 2P PLUG IN SIEMENS               |
| 28    | 0E7888B     | 4     | CB 0015A 1P PLUG IN SIEMENS               |
| 29    | 0E7888C     | 6     | CB 0020A 1P PLUG IN SIEMENS               |
| 30    | 0E7888D     | 1     | CB 0040A 2P PLUG IN SIEMENS               |
| 31    | 095282      | 1     | DECAL-LIVE CIRCUIT                        |
| 32    | 022717A     | 1     | GROMMET 3/8 X 1/16 X 1/4                  |
| 33    | 0A7215      | 10    | SCREW HWHS 1/4-20 X 5/8 NY/W              |
| 34    | 0A9517      | 1     | DECAL MANUAL 5A FUSE                      |
| (3)35 | 0E6155      | 1     | PIN ARM EXTENDER                          |
| 36    | 0G8238      | 1     | DECAL,UL PANELBOARD                       |
| 37    | 0H6389      | 1     | DECAL UTILITY LOAD SENSE 240V             |
| 38    | 0H6390      | 1     | DECAL CUSTOMER CONN                       |
| 39    | 0H6419      | 1     | DECAL, TEST SEQUENCE                      |
| 40    | N/A         | 1     | DECAL LC 14 CIRC.                         |
| 41    | 0F4790      | 5.28" | U CHANNEL 1/16"                           |
| 42    | 0G8233A     | 4     | CABLE TIE SELF MOUNTING 4.3LG.            |
| (1)43 | 031980      | 5     | TIE WRAP UL14.6 X .14 NATL                |
| 44    | 0H6423      | 1     | HARN RTG-MAIN-PNL 14CIR W/NEUT            |
| (1)45 | 0H6452A     | 1     | HARN LC RTG INT.CON10-16 100A             |
| (1)46 | 0H6452B     | 1     | HARN LC RTG INT.CON T1 100A               |
| (1)47 | 0H6452C     | 1     | HARN LC RTG INT.CON T2 100A               |
| 48    | 0H6397      | 1     | HARN GTS-EXT CONBOX 14/17KW               |

- (1) NOT SHOWN ON THIS ASSEMBLY
- (2) SUPPLIED WITH HARNESS ITEM #45
- (3) SUPPLIED WITH ITEM #7