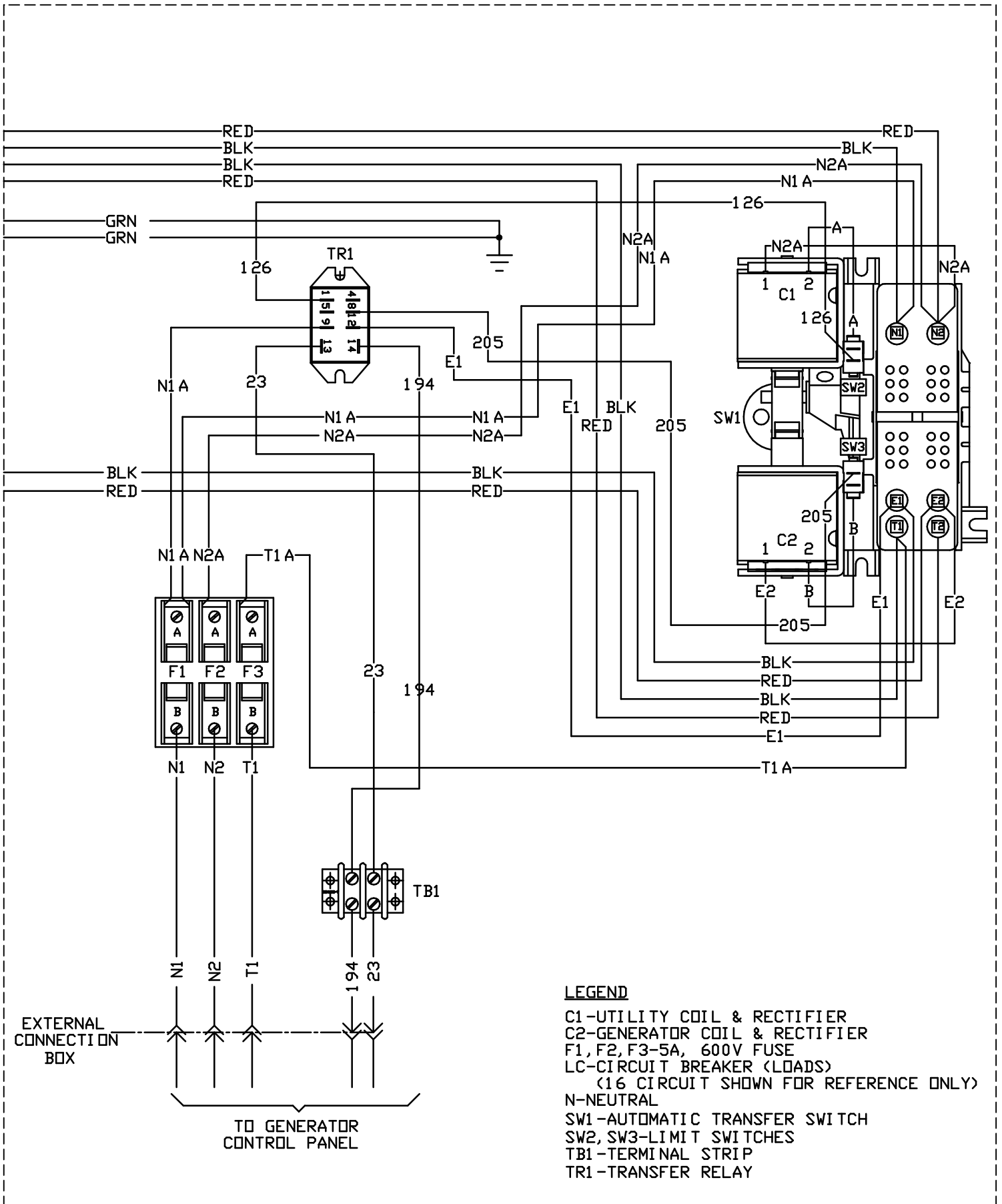


GROUP G



REVISION: "A"
DATE: 01/21/13

WIRING - DIAGRAM
HSB TRANSFER SWITCH 100A
DRAWING #: 0H6453