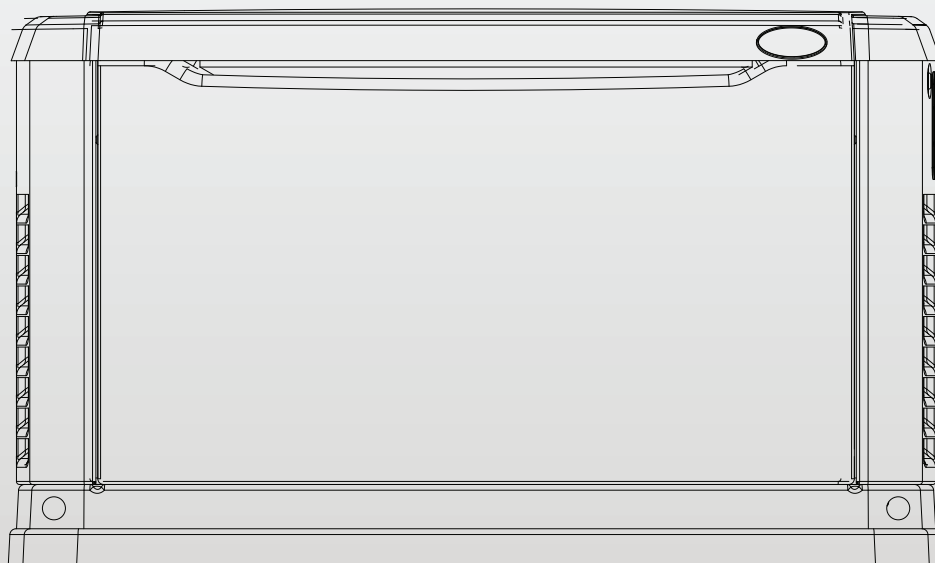


Owner's Manual

Automatic Standby Generator



Home Standby Model
8 kW to 20 kW

⚠ DANGER!

- ⚠ NOT INTENDED FOR USE IN CRITICAL LIFE SUPPORT APPLICATIONS.
- ⚠ ONLY QUALIFIED ELECTRICIANS OR CONTRACTORS SHOULD ATTEMPT INSTALLATION.
- ⚠ DEADLY EXHAUST FUMES! OUTDOOR INSTALLATION ONLY!

Reference all appropriate documentation.
This manual should remain with the unit.



Use this page to record important information about your generator set.

MODEL	<input type="text"/>
SERIAL	<input type="text"/>
VOLTS	<input type="text"/>
AMPS	<input type="text"/>

1 PH, 60 Hz, RPM 3600
RAINPROOF ENCLOSURE FITTED
CLASS H INSULATION
RATED AMBIENT TEMP – 25°C

FOR STANDBY SERVICE

NEUTRAL FLOATING
MAX LOAD UNBALANCE–50%

WHITEWATER, WIS
MADE IN U.S.A.

Record the information found on your unit data label on this page. For the location of the unit data label, see Section 2 General Information. The unit has a label plate affixed to the inside partition, to the left of the control panel console as shown in Figures 2-1, 2-2, and 2-3. For directions on how to open the top lid and remove the front panel, see Section 3 Operation. The Unit Identification label provides the following information:

- Model Number
- Serial Number
- Control Panel Part Number
- Voltage Rating of the unit
- Maximum Current Rating of the unit (AMPS)

When contacting an Authorized Service Dealer about parts and service, always supply the complete model number and serial number of the unit.

Operation and Maintenance: Proper maintenance and care of the generator ensures a minimum number of problems and keeps operating expenses at a minimum. It is the operator's responsibility to perform all safety checks, to make sure that all maintenance for safe operation is performed promptly, and to have the equipment checked periodically by an Authorized Service Dealer. Normal maintenance, service and replacement of parts are the responsibility of the owner/operator and, as such, are not considered defects in materials or workmanship within the terms of the warranty. Individual operating habits and usage may contribute to the need for additional maintenance or service.

When the generator requires servicing or repairs, contact an Authorized Service Dealer for assistance. Authorized service technicians are factory-trained and are capable of handling all service needs.

To find your Local AUTHORIZED SERVICE DEALER

AUTHORIZED SERVICE DEALER LOCATION

To locate the nearest AUTHORIZED SERVICE DEALER, please call this number:

1-800-333-1322

or, visit the dealer locator at:

www.generac.com/Service/DealerLocator/

WARNING!

California Proposition 65

Engine exhaust and some of its constituents are known to the state of California to cause cancer, birth defects, and other reproductive harm.

WARNING!

California Proposition 65

This product contains or emits chemicals known to the state of California to cause cancer, birth defects, and other reproductive harm.

Table of Contents

Section 1 — Safety	1
1.1 — General Safety	2
1.2 — General Safety Hazards	2
1.3 — Exhaust Hazards	3
1.4 — Electrical Hazards	3
1.5 — Fire Hazards	3
1.6 — Explosion Hazards	3
Section 2 — General Information	5
2.1 — The Generator	5
2.2 — Protection Systems	6
2.3 — Emission Information	7
2.4 — Specifications	8
2.5 — Accessories	9
Section 3 — Operation	11
3.1 — Control Panel Interface	11
3.2 — Using the Auto/Off/Manual Buttons	12
3.3 — Interface Menu Displays	12
3.4 — Automatic Transfer Operation	14
3.5 — Turning the Generator Off When Operating Under Load	15
3.6 — Manual Transfer Operation	15
3.7 — Side Compartment	16
3.8 — Alarm Response Procedures	17
3.9 — Battery Charger	17
3.10 — Setting the Exercise Timer	17
Section 4 — Maintenance	19
4.1 — Performing Scheduled Maintenance	19
4.2 — Service Schedule	19
4.3 — Checking Engine Oil Level	20
4.4 — Changing the Engine Air Cleaner	22
4.5 — Spark Plugs	22
4.6 — Valve Lash Adjustment	23
4.7 — Battery Maintenance	24
4.8 — Attention After Submersion	25
4.9 — Corrosion Protection	25
4.10 — Out of Service Procedure (includes removal and return from service)	25
Section 5 — Troubleshooting	27
Section 6 — Quick Reference Guide	29

Also included is Spanish, French Canadian and Portuguese.

This page intentionally left blank.

Section 1

Safety

INTRODUCTION: Thank you for purchasing this compact, high performance, air-cooled, engine-driven stationary automatic standby generator set. Every effort was made to make sure that the information and instructions in this manual were both accurate and current at the time the manual was written. However, the manufacturer reserves the right to change, alter or otherwise improve this product or manual at any time without prior notice.

This generator is designed to automatically supply electrical power to operate critical loads during a utility power failure. This unit is factory installed in an all-weather metal enclosure and **is intended exclusively for outdoor installation**. This generator will operate using either vapor withdrawn liquid propane (LP) or natural gas (NG).

NOTE: When properly sized, this generator is suitable for supplying typical residential loads such as Induction Motors (sump pumps, refrigerators, air conditioners, furnaces, etc.), Electronic Components (computer, monitor, TV, etc.), Lighting Loads and Microwaves.

READ THIS MANUAL THOROUGHLY: The operator is responsible for proper and safe use of this equipment. The manufacturer strongly recommends that the operator read and thoroughly understand the instructions and contents of this owner's manual before attempting to use the equipment. If any portion of this publication is not understood, contact the nearest Authorized Service Dealer for starting, operating and servicing procedures.

SAVE THESE INSTRUCTIONS: The manufacturer suggests that this manual and the rules for safe operation be copied and posted near the unit's installation site. Safety should be stressed to all operators and potential operators of this equipment.

SAFETY: Throughout this manual, and on tags and decals affixed to the unit, DANGER, WARNING, CAUTION and NOTE blocks are used to alert personnel to special instructions about a particular operation, function or service that may be hazardous if performed incorrectly or carelessly. Observe them carefully. Their definitions are as follows:

⚠ DANGER!

INDICATES A HAZARDOUS SITUATION OR ACTION WHICH, IF NOT AVOIDED, WILL RESULT IN DEATH OR SERIOUS INJURY.

⚠ WARNING!

Indicates a hazardous situation or action which, if not avoided, could result in death or serious injury.

⚠ CAUTION!

Indicates a hazardous situation which, if not avoided, could result in minor or moderate injury.

NOTE: Notes contain additional information important to an operation or procedure.

Four commonly used safety symbols accompany the DANGER, WARNING and CAUTION blocks. The type of information each indicates is as follows:



This symbol points out important Safety Information that, if not followed, could endanger personal safety and/or property of others.



This symbol points out a potential Explosion Hazard.



This symbol points out a potential Fire Hazard.



This symbol points out a potential Electrical Shock Hazard.






These "Safety Alerts" cannot eliminate the hazards that they signal. Strict compliance with these special instructions, plus common sense are major accident prevention measures.

1.1 — General Safety

Study these safety rules carefully before operating or servicing this equipment. Become familiar with this Owner's Manual and with the unit. The generator can operate safely, efficiently and reliably only if it is properly installed, operated and maintained. Many accidents are caused by failing to follow simple and fundamental rules or precautions.

The manufacturer cannot anticipate every possible circumstance that might involve a hazard. The warnings in this manual, and on tags and decals affixed to the unit are, therefore, not all-inclusive. If using a procedure, work method or operating technique the manufacturer does not specifically recommend, ensure that it is safe for personnel. Also make sure the procedure, work method or operating technique utilized does not render the generator unsafe.

DANGER!

-  **Despite the safe design of this generator, operating this equipment imprudently, neglecting its maintenance or being careless can cause possible injury or death. Permit only responsible and capable persons to install, operate and maintain this equipment.**
-  **Potentially lethal voltages are generated by these machines. Ensure steps are taken to make the machine safe before attempting to work on the generator.**
-  **Parts of the generator are rotating and/or hot during operation. Exercise care near a running generator.**
-  **The installation of this generator must always comply with applicable codes, standards, laws and regulations.**
-  **A running generator gives off DEADLY carbon monoxide, an odorless, colorless, poisonous gas. Breathing carbon monoxide can cause dizziness, throbbing temples, nausea, muscular twitching, headache, vomiting, weakness, sleepiness, inability to think clearly, fainting, unconsciousness or even death.**

CAUTION!

-  **The control panel for this unit is intended to be operated by qualified service personnel only.**

1.2 — General Safety Hazards

- For safety reasons, this equipment should only be installed, serviced and repaired by a Service Dealer or other competent, qualified electrician or installation technician who is familiar with applicable codes, standards, regulations and product Installation Manual guidelines. The operator also must comply with all such codes, standards, regulations and product Installation Manual guidelines.
- The engine exhaust fumes contain carbon monoxide, which can be DEADLY. This dangerous gas, if breathed in sufficient concentrations, can cause unconsciousness or even death. DO NOT alter or add to the exhaust system or do anything that might render the system unsafe or in noncompliance with applicable codes and standards.
- Install a carbon monoxide alarm indoors, according to manufacturer's instructions/recommendations.
- Adequate, unobstructed flow of cooling and ventilating air is critical for correct generator operation. Do not alter the installation or permit even partial blockage of ventilation provisions, as this can seriously affect safe operation of the generator. The generator MUST be installed and operated outdoors only.
- Keep hands, feet, clothing, etc. away from drive belts, fans, and other moving or hot parts. Never remove any drive belt or fan guard while the unit is operating.
- When working on this equipment, remain alert at all times. Never work on the equipment when physically or mentally fatigued.
- Inspect the generator regularly, and contact the nearest Dealer for parts needing repair or replacement.
- Before performing any maintenance on the generator, remove the control panel fuse and disconnect the Negative (—) battery cable to prevent accidental startup. When disconnecting battery cables always remove the NEGATIVE (NEG or “—”) cable first, then remove the POSITIVE (POS, or “+”) cable. When reconnecting the cables, connect the POSITIVE cable first, and the NEGATIVE cable last.
- Never use the generator or any of its parts as a step. Stepping on the unit can stress and break parts, and may result in dangerous operating conditions from leaking exhaust gases, fuel leakage, oil leakage, etc.

1.3 — Exhaust Hazards

- Generator engine exhaust contains DEADLY carbon monoxide, an odorless, colorless, poisonous gas. Breathing carbon monoxide can cause dizziness, throbbing temples, nausea, muscular twitching, headache, vomiting, weakness, sleepiness, inability to think clearly, fainting, unconsciousness or even death. If any carbon monoxide poisoning symptom is experienced, move into fresh air and immediately seek medical attention.
- This generator is designed for OUTDOOR installation ONLY. Never operate the generator inside any garage or other enclosed space.

1.4 — Electrical Hazards

- All generators covered by this manual produce dangerous electrical voltages that can cause fatal electrical shock. Utility power delivers extremely high and dangerous voltages to the transfer switch, as does the standby generator when it is in operation. Avoid contact with bare wires, terminals, connections, etc. while the unit is running. Ensure all appropriate covers, guards and barriers are in place, secured and/or locked before operating the generator. If work must be done around an operating unit, stand on an insulated, dry surface to reduce potential shock hazard.
- Do not handle any kind of electrical device while standing in water, while barefoot, or while hands or feet are wet. DANGEROUS ELECTRICAL SHOCK MAY RESULT.
- This is an Automatic Standby Generator, the generator may crank and start at any time when utility is lost. When this occurs, load circuits are transferred to the STANDBY (generator) power source. To prevent injury, before working on this generator (for inspection, service or maintenance), always put the generator into the OFF mode and remove the 7.5 Amp fuse from the generator control panel.
- In case of accident caused by electric shock, immediately shut down the source of electrical power. If this is not possible, attempt to free the victim from the live conductor. AVOID DIRECT CONTACT WITH THE VICTIM. Use a nonconducting implement, such as a dry rope or board, to free the victim from the live conductor. If the victim is unconscious, apply first aid and get immediate medical help.
- Never wear jewelry when working on this equipment. Jewelry can conduct electricity resulting in electric shock, or may get caught in moving components resulting in injury.

1.5 — Fire Hazards

- For fire safety, the generator must be installed and maintained properly. Installation MUST always comply with applicable codes, standards, laws, regulations and product Installation Manual guidelines. Adhere strictly to local, state, and national electrical and building codes. Comply with regulations the Occupational Safety and Health Administration (OSHA) has established. Also, ensure that the generator is installed in accordance with the manufacturer's instructions and recommendations. Following proper installation, do nothing that might alter a safe installation and render the unit in noncompliance with the aforementioned codes, standards, laws and regulations.
- Keep a fire extinguisher near the generator at all times. Extinguishers rated "ABC" by the National Fire Protection Association are appropriate for use on the standby generator. Keep the extinguisher properly charged and be familiar with its use. Consult the local fire department with any questions pertaining to fire extinguishers.

1.6 — Explosion Hazards

- Do not smoke around the generator. Wipe up any fuel or oil spills immediately. Ensure that no combustible materials are left in the generator compartment, or on or near the generator as FIRE or EXPLOSION may result. Keep the area surrounding the generator clean and free from debris.
- Gaseous fluids such as natural gas and liquid propane (LP) gas are extremely EXPLOSIVE. Install the fuel supply system according to applicable fuel-gas codes. Before placing the home standby electric system into service, fuel system lines must be properly purged and leak tested according to applicable code. After installation, inspect the fuel system periodically for leaks. No leakage can be permitted.

⚠ WARNING!



If this generator is used to power electrical load circuits normally powered by a utility power source, it is required by code to install a transfer switch. The transfer switch must effectively isolate the electrical system from the utility distribution system when the generator is operating (NEC 702). Failure to isolate an electrical system by such means will result in damage to the generator and also may result in injury or death to utility power workers due to backfeed of electrical energy.

2.1 — The Generator

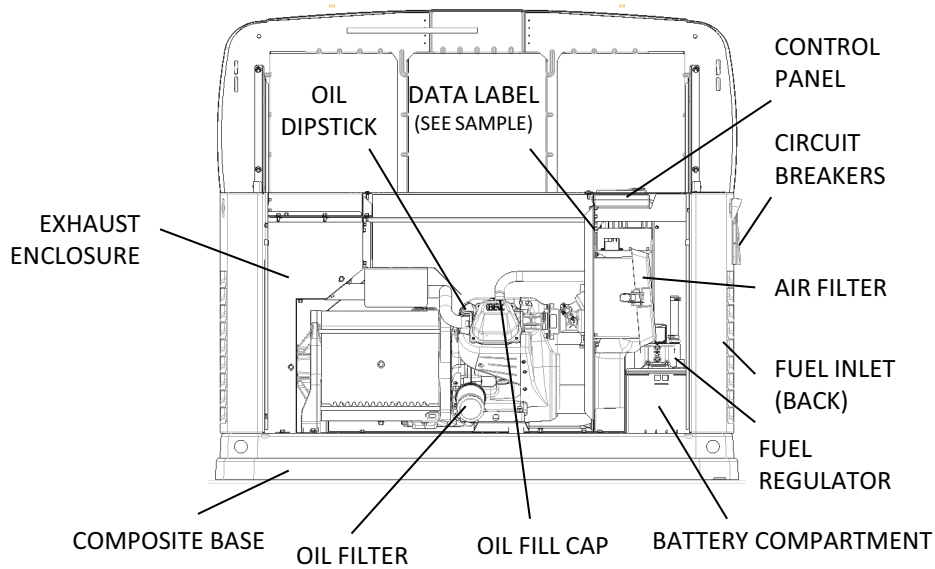


Figure 2-1: GH-410 Engine 8kW Unit

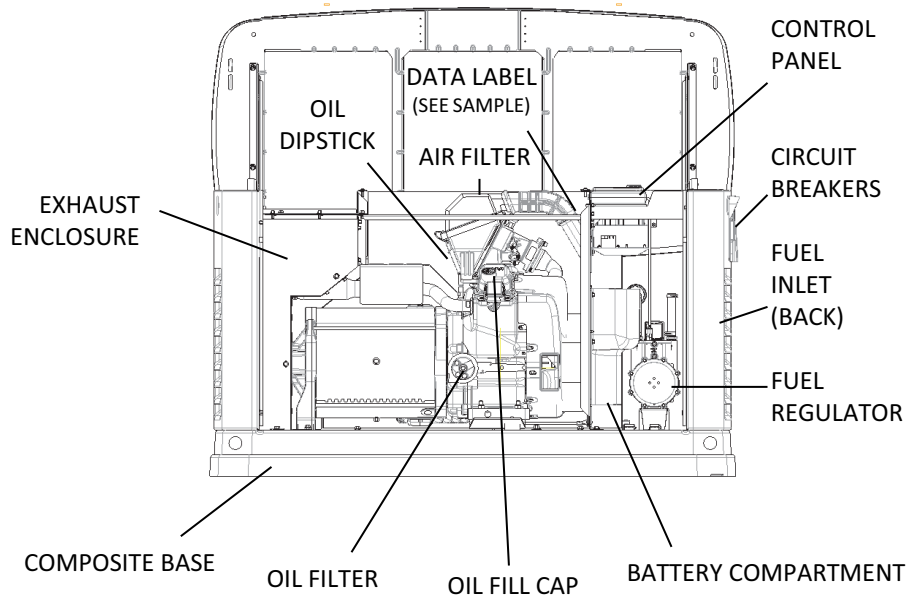


Figure 2-2: GH-530 Engine 11kW Unit

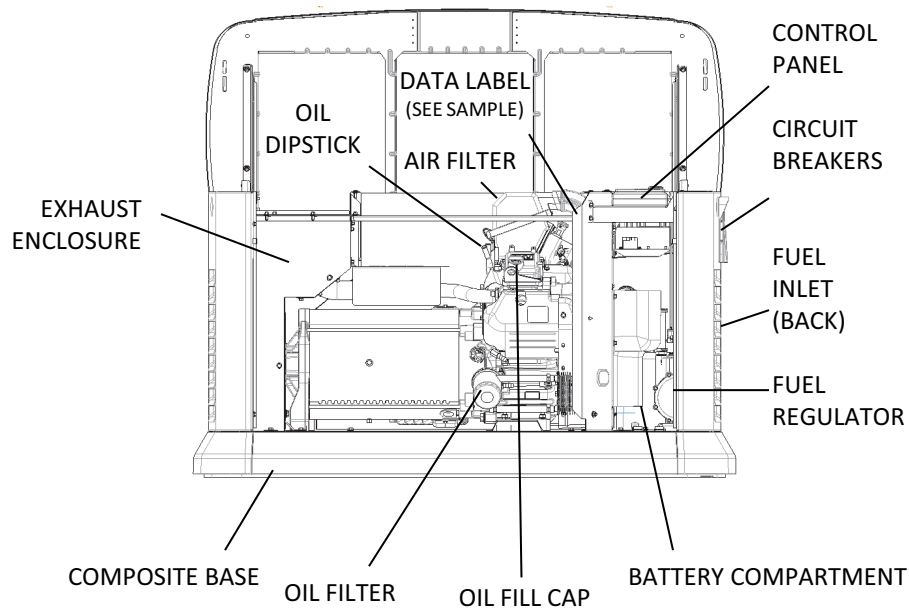


Figure 2-3: GT-990/GT-999 Engines, 13-20kW Unit

2.2 — Protection Systems

The generator may have to run for long periods of time with no operator present to monitor the engine/generator conditions. Therefore, the generator is equipped with a number of systems to automatically shut down the unit to protect it against potentially damaging conditions. Some of these systems are as follows:

- Low Oil Pressure Sensor
- High Temperature Sensor
- Overcrank Sensor
- Overspeed Sensor
- RPM Sensor
- Under-frequency Sensor
- Undervoltage Sensor
- Overvoltage Sensor
- Internal Failure Sensor
- Low Battery Voltage Alarm

The control panel contains a display which alerts the operator when a fault condition occurs. The above list is not all inclusive. For more information about alarms and control panel operation, see Section 3 Operation.

2.3 — Emission Information

The U.S. Environmental Protection Agency (EPA) requires that this generator comply with exhaust emission standards. This generator is certified to meet the applicable EPA emission levels, and is certified for use as a stationary engine for standby power generation. Any other use may be a violation of federal and/or local laws. To ensure that the engine complies with the applicable emission standards for the duration of the engine's life, it is important to follow the maintenance specifications in the Section 4 Maintenance. This generator is certified to operate on Liquid Propane Vapor fuel or pipeline Natural Gas.

For generators 13kW and greater, the Emission Control System code is EM (Engine Modification). The Emission Control System on this generator consists of the following components:

- Air Induction System
 - Intake Pipe / Manifold
 - Air Cleaner
- Fuel Metering System
 - Carburetor / Mixer Assembly
 - Fuel Regulator
- Ignition System
 - Spark Plug
 - Ignition Module
- Exhaust System
 - Exhaust Manifold
 - Muffler
 - Catalyst (11kW generator only)

2.4 — Specifications

2.4.1 — Generator

Model	8kW	11kW	13kW	14kW	15kW	16kW	17kW	20kW
Rated Voltage	240							
Rated Maximum Load Current (Amps) at 240 Volts (LP)*	33.3	45.8	54.2	58.3	62.5	66.6	70.8	83.3
Main Circuit Breaker	35 Amp	50 Amp	55 Amp	60 Amp	60 Amp	65 Amp	65 Amp	100 Amp
Phase	1							
Rated AC Frequency	60 Hz							
Battery Requirement	Group 26R, 12 Volts and 525 CCA Minimum (Generac Part No. 0H3421S)							
Weight (unit only in lbs./kilos)	360/163.3	407/184.6	435/197.3	435/197.3	471/213.6	471/213.6	Steel - 471/213.6 Aluminum - 437/198.2	451/204.6
Enclosure	Steel	Steel	Steel	Steel	Steel	Steel	Steel/ Aluminum	Aluminum
Normal Operating Range	This unit is tested in accordance to UL 2200 standards with an operating temperature of -20° F (-29° C) to 122° F (50° C). For areas where temperatures fall below 32° F (0° C) a cold weather kit and synthetic oil is required. When operated above 77° F (25° C) there may be a decrease in engine power. Please reference the engine specifications section.							
These generators are rated in accordance with UL 2200, Safety Standard for Stationary Engine Generator Assemblies, and CSA-C22.2 No. 100-04 Standard for Motors and Generators. * Natural Gas ratings will depend on specific fuel Btu/joules content. Typical derates are between 10-20% off the LP gas rating. ** Circuits to be moved must be protected by same size breaker. For example, a 15 amp circuit in the main panel must be a 15 amp circuit in the transfer switch.								

2.4.2 — Engine

Model	8kW	11kW	13/14/15/16/17kW	20kW
Type of Engine	GH-410	GT-530	GT-990	GT-999
Number of Cylinders	1	2	2	2
Displacement	410cc	530cc	992cc	999cc
Cylinder Block	Aluminum w/Cast Iron Sleeve			
Recommended Spark Plug	RC14YC	BPR6HS	RC14YC	RC12YC
Spark Plug Gap	0.76mm (0.030")	0.76mm (0.030")	1.02mm (0.040")	0.76mm (0.030")
Starter	12 VDC			
Oil Capacity Including Filter	Approx. 1.5 Qts./1.4L	Approx. 1.7 Qts./1.6L	Approx. 1.9 Qts/1.8L	Approx. 1.9 Qts/1.8L
Recommended Oil Filter	Part #070185E			
Recommended Air Filter	Part #0E9371A	Part #0E9371A	Part #0J8478	Part #0J8478
Engine power is subject to and limited by such factors as fuel Btu/joules content, ambient temperature and altitude. Engine power decreases about 3.5 percent for each 1,000 feet (304.8 meters) above sea level, and also will decrease about 1 percent for each 6° C (10° F) above 15° C (60° F) ambient temperature.				

The specification sheet for your generator was included in the documentation provided with the unit at the time of purchase. For additional copies, consult your local Authorized Service Dealer for your specific generator model.

2.4.3 — Fuel Requirements

The engine has been fitted with a dual fuel carburetion system. The unit will run on natural gas or LP gas (vapor), but it has been factory set to run on natural gas. The fuel system will be configured for the available fuel source during installation.

Recommended fuels should have a btu content of at least 1,000 Btus per cubic foot (37.26 megajoules per cubic meter) for natural gas, or at least 2,500 Btus per cubic foot (93.15 megajoules per cubic meter) for LP gas (vapor).

NOTE: If converting to LP gas from natural gas, a minimum LP tank size of 250 gallons (946 liters) is recommended. See the Installation Manual for complete procedures and details.

⚠ DANGER!



Gaseous fuels such as natural gas and liquid propane gas are highly explosive. Even the slightest spark can ignite such fuels and cause an explosion. No leakage of fuel is permitted. Natural gas, which is lighter than air, tends to collect in high areas. LP gas is heavier than air and tends to settle in low areas

2.4.4 — Battery Requirements

Group 26R, 12V, minimum 525CCA (Generac Part No. 0H3421S).

For proper battery maintenance procedures, see Section 4 Maintenance.

2.4.5 — Battery Charger

The battery charger is integrated into the control panel module in all models. It operates as a “Smart Charger” which ensures output charging levels are safe and continuously optimized to promote maximum battery life.

2.4.6 — Engine Oil Requirements

For proper oil viscosity, see chart in Figure 4-1: Recommended Oil Based on Temperature.

2.5 — Accessories

There are performance enhancing accessories available for air-cooled generators.

Accessory	Description
Cold Weather Kit	Required in areas where temperatures fall below 32° F (0° C).
Scheduled Maintenance Kit	Includes all pieces necessary to perform maintenance on the generator along with oil recommendations.
Auxiliary Transfer Switch Lockout	Enables any of the transfer switches to completely lock out one large electrical load by tying into its control system.
Fascia Skirt Wrap	Standard on all 20kW units. It is available for all other current production air-cooled units. It snaps together to provide a smoothing, contoured look as well as rodent/insect protection.
Mobile Link™	Provides a personalized web portal that displays the generator’s status, maintenance schedule, event history and much more. This portal is accessible via computer, tablet or smart phone. Sends emails and/or text notifications the moment there is any change in the generator’s status. Notification settings can be customized to what type of alert is sent and how often. For more information, visit www.standbystatus.com .
Touch-Up Paint Kit	Very important to maintain the look and integrity of the generator enclosure. This kit includes touch-up paint and instructions.

Contact a Dealer for additional information on accessories.

This page intentionally left blank.

Section 3

Operation

3.1 — Control Panel Interface



The control panel on this unit is intended to only be operated by qualified service personnel.

The Control panel interface is located under the lid of the enclosure. Before attempting to lift the lid of the enclosure, verify that both left and right side locks are unlocked. To remove the front cover, lift the cover straight up to disengage the side hooks, then tilt and lift it away from the unit. When closing the unit, ensure that both left and right side locks are securely locked. See Figure 3-1.



The enclosed keys provided with this unit are for service personnel usage only.

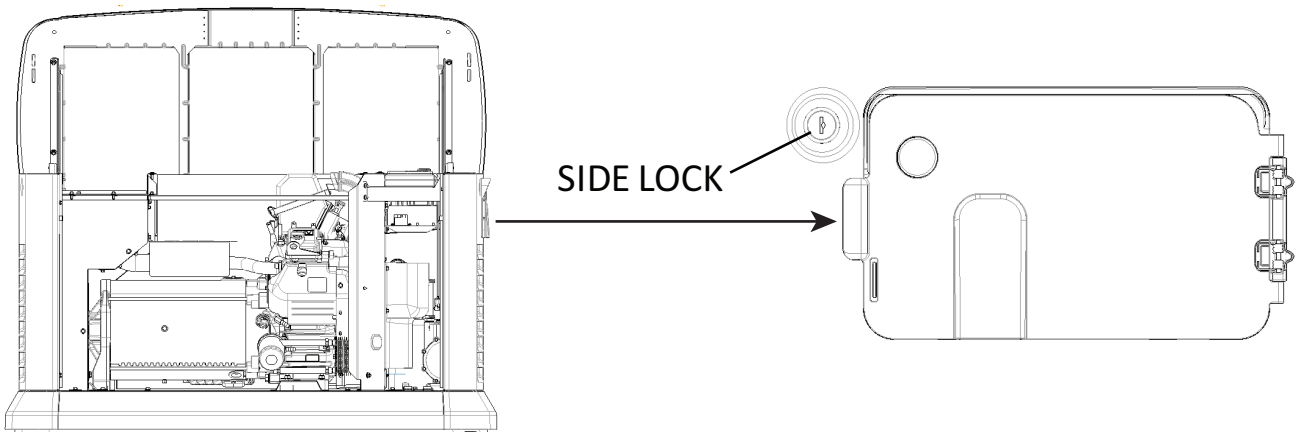


Figure 3-1: Generator With Lid Open/Side Lock Location

⚠ WARNING!



Set to AUTO, the engine may crank and start at any time without warning. Such automatic starting occurs when utility power source voltage drops below a preset level or during the normal exercise cycle. To prevent possible injury that might be caused by such sudden starts, always set to OFF and remove the fuses before working on or around the generator or transfer switch. Then, place a “DO NOT OPERATE” tag on the generator panel and on the transfer switch.

NOTE: The generator is to be run with all appropriate panels in place, including during troubleshooting by a technician.

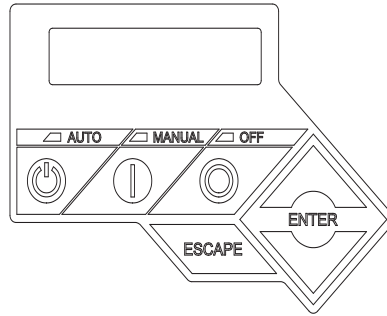


Figure 3-2: Generator Control Panel

3.2 — Using the Auto/Off/Manual Buttons

Button	Description of Operation
Auto	Selecting this button activates fully automatic system operation. It also allows the unit to automatically start and exercise the engine every seven days with the setting of the exercise timer (see the Setting the Exercise Timer section).
Off	This button shuts down the engine and also prevents automatic operation of the unit.
Manual	This button will crank and start the generator. Transfer to standby power will not occur unless there is a utility failure.

NOTE: Damage caused by mis-wiring of the interconnect wires is not warrantable.

3.3 — Interface Menu Displays

The LCD display:

Feature	Description
HOME page	The default page which will be displayed if no buttons are pressed for 60 seconds. This page normally shows the current Status message and the current date and time. The highest priority active Alarm/Warning will be automatically posted on this page as well as flashing the backlight when such a condition is detected. In the case of multiple Alarms/Warnings, only the first message will be displayed. To clear an Alarm or Warning, press the OFF button and then press the ENTER key.
Display Backlight	Normally off. If the operator presses any button, the backlight will automatically light and remain on for 30 seconds.
MAIN MENU page	Allows the operator to navigate to all other pages or sub-menus by using the Arrows and Enter buttons. This page can be accessed at any time with several presses of the dedicated Escape button. Each press of the Escape button takes the operator to the previous menu until the MAIN MENU displays. This page contains information for - History; Status; Edit; Debug.

3.3.1— Menu System Navigation

To get to the MENU, use the “Escape” button from any page. It may require pressing it many times before getting to the MENU page. Navigate to the desired menu by using the ↑/↓ buttons. When the desired menu is displayed and flashing, press the “Enter” button. See Figure 3-3.

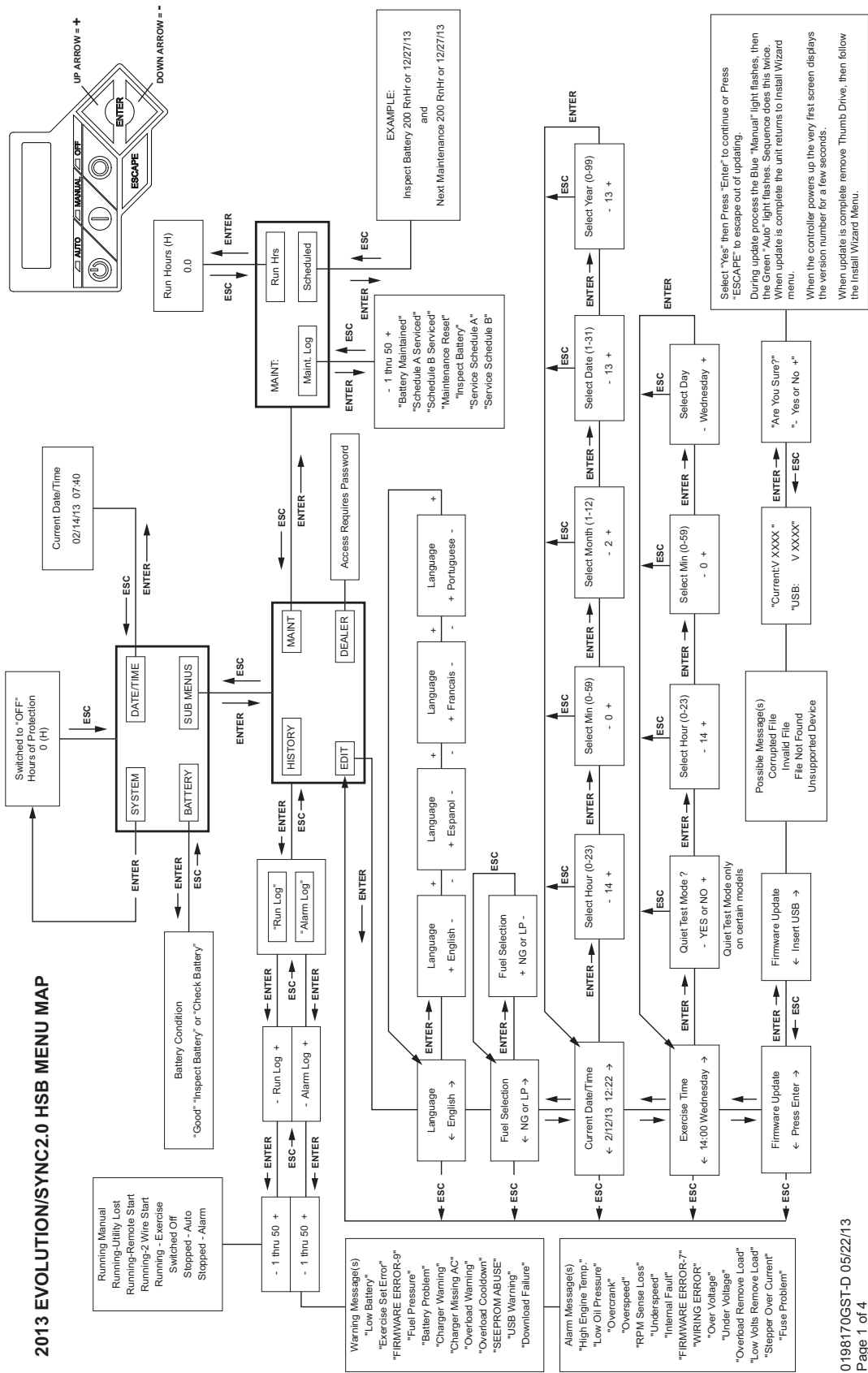


Figure 3-3: Navigation Menu

3.4 — Automatic Transfer Operation

To select automatic operation:

1. Make sure the transfer switch main contacts are set to their UTILITY position (loads connected to the utility power source).
2. Be sure that normal UTILITY power source voltage is available to transfer switch terminal lugs N1 and N2.
3. Press the AUTO button on the Control Panel Interface.
4. Set the Main Circuit Breaker (Generator Disconnect) to its ON (Closed) position.

With these steps complete, the generator will start automatically when utility source voltage drops below a preset level. After the unit starts, loads are transferred to the standby power source.

3.4.1— Automatic Sequence of Operation

3.4.1.1 — Utility Failure

With the generator set to AUTO, when the utility fails (below 65% of nominal) a 10 second (optionally programmable) line interrupt delay time is started. If the utility is still gone when the timer expires, the engine will crank and start. Once started, a 5 second engine warm-up timer will be initiated. When the warm-up time expires, the controller will transfer the load to the generator. If the utility power is restored (above 75% nominal) at any time from the initiation of the engine start until the generator is ready to accept load (5 second warm-up time has not elapsed), the controller will complete the start cycle and run the generator through its normal cool down cycle, however, the load will remain on the utility source.

3.4.1.2 — Cranking

The system will control the cyclic cranking as follows:

- 8kW unit - 5 cranking cycles as follows: 15 second crank, seven (7) second rest, followed by four (4) additional cycles of seven (7) second cranks followed by seven (7) second rests.
- 11 -20kW units - 5 cranking cycles as follows: 16 second crank, seven (7) second rest, 16 second crank, seven (7) second rest, followed by three (3) additional cycles of seven (7) second cranks followed by seven (7) second rests.

3.4.1.3 — Load Transfer

The transfer of load when the generator is running is dependent upon the operating mode:

MANUAL	<ul style="list-style-type: none">• Will not transfer to generator if utility is present.• Will transfer to generator if utility fails (below 65% of nominal for 10 consecutive seconds).• Will transfer back when utility returns for 15 consecutive seconds. The engine will continue to run until removed from the MANUAL mode.
AUTO	<ul style="list-style-type: none">• Will start and run if utility fails for 10 consecutive seconds (factory default).• Will start a 5 second engine warm-up timer.<ul style="list-style-type: none">•Will not transfer if utility subsequently returns.•Will transfer to generator if utility is not present.• Will transfer back to utility once utility returns (above 75% of nominal) for 15 seconds.• Will not transfer back to utility unless utility returns. The generator will shut down if the OFF button is pressed or a shutdown alarm is present.• Once utility power is returned, the generator will shut down after 1 minute cool-down time.
EXERCISE	<ul style="list-style-type: none">• Will not exercise if generator is already running in either AUTO or MANUAL mode.• During exercise, the controller will only transfer if utility fails during exercise for 10 seconds, and will switch to AUTO.

3.5 — Turning the Generator Off When Operating Under Load

NOTE: Important! To turn the generator off during prolonged utility outages to perform maintenance or conserve fuel, follow these simple, but important steps:

To turn the generator OFF (while running in AUTO and online):

1. Turn OFF (or OPEN) the main Utility disconnect.
2. Turn OFF (or OPEN) the Main Line Circuit Breaker (MLCB) on the generator.
3. Turn the generator OFF.

To turn the generator back ON:

1. Put the generator back into AUTO and allow to start and warm-up for a few minutes.
2. Turn ON (or CLOSE) the MLCB on the generator.

The system will now be operating in its automatic mode. The main utility disconnect can be turned ON (or CLOSED), but to shut the unit off, this complete process must be repeated.

3.6 — Manual Transfer Operation

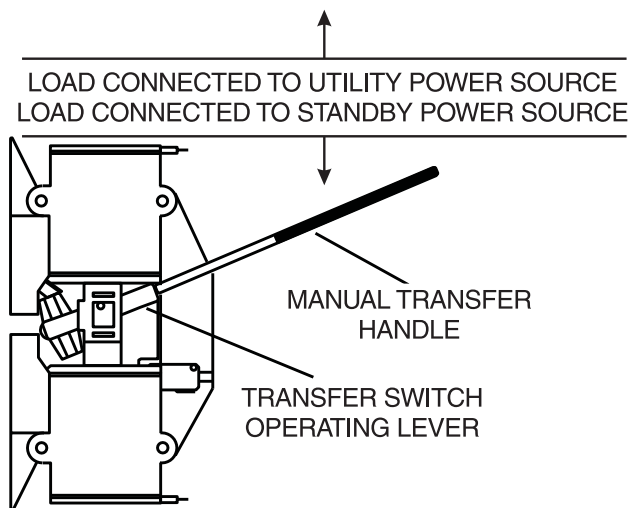
⚠ DANGER!



DO NOT attempt to activate the transfer switch manually until all power voltage supplies to the switch have been completely turned off. Failure to turn off all power voltage supplies may result in extremely hazardous and possibly fatal electrical shock.

Prior to automatic operation, manually exercise the transfer switch to verify that there is no interference with proper operation of the mechanism. Manual operation of the transfer switch is required if electronic operation should fail.

3.6.1— Transfer to Generator Power Source



1. Press the Control Panel OFF button.
2. Set the Main Circuit Breaker (Generator Disconnect) to its OFF (OPEN) position.
3. Turn off the utility power supply to the transfer switch using the means provided (such as a utility main line circuit breaker).
4. Use the manual transfer handle inside the transfer switch to move the main contacts to their STANDBY positions (loads connected to the standby power source).
5. To crank and start the engine, press the Control Panel MANUAL button.
6. Allow the engine to stabilize and warm up for a few minutes.
7. Set the Main Circuit Breaker (Generator Disconnect) to its ON (CLOSED) position. The standby power source now powers the loads.

Figure 3-4: Manual Transfer Switch Operation

3.6.2— Transfer Back to Utility Power Source

When utility power has been restored, transfer back to utility source and shut down the generator. To manually transfer back to utility power and shut down the generator:

1. Set the Main Circuit Breaker (Generator Disconnect) to its OFF (OPEN) position.
2. Allow the engine to run for 2 minutes at no-load to stabilize the internal temperatures.
3. Press the Control Panel OFF button. The engine should shut down.
4. Ensure that utility power supply to the transfer switch is turned off.
5. Use the manual transfer handle inside the transfer switch to move the main contacts back to their UTILITY positions (loads connected to the utility power source).
6. Turn on the utility power supply to the transfer switch using the means provided.
7. Press the Control Panel AUTO button.

3.7 — Side Compartment

Local codes may require this compartment to be locked. A hasp is provided so the owner/operator can secure the compartment with his or her own padlock. Check local codes for side compartment locking requirements.

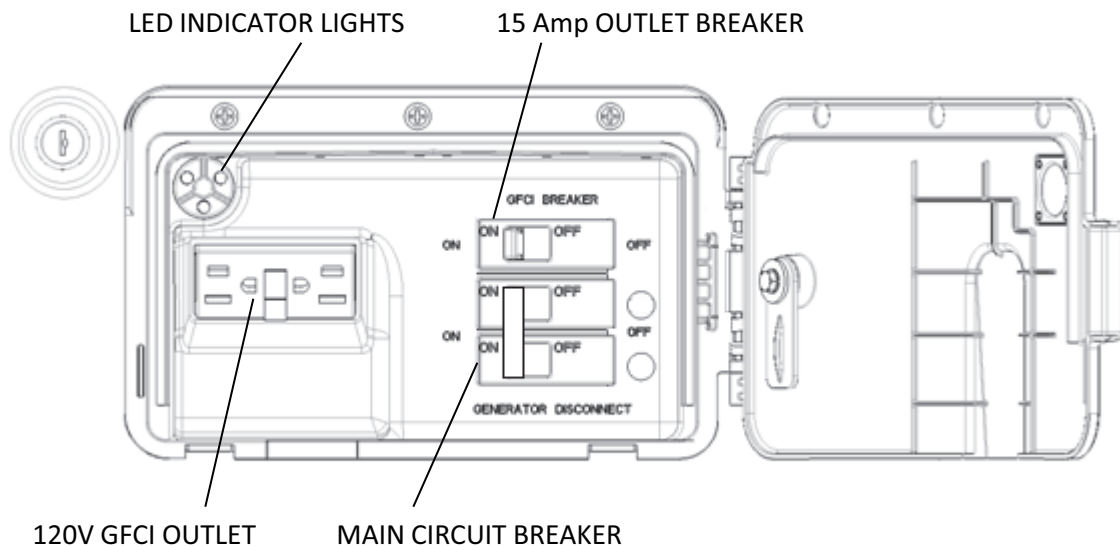


Figure 3-5: Open Side Compartment

3.7.1— Main Circuit Breaker (Generator Disconnect)

This is a 2-pole breaker rated according to relevant specifications.

3.7.2— LED Indicator Lights

- Green LED “Ready” light is on when utility is present and the Control Panel button is in the AUTO position. This also indicates when the generator is running.
- Red LED “Alarm” light is on when the generator is OFF or a fault is detected and means contact your authorized servicing dealer.
- Yellow LED “Maintenance” light. Note: Yellow LED may be on at the same time as either the Red or Green LEDs.

3.7.3— 120V GFCI Outlet/15 Amp Breaker (17 & 20 kW Only)

All units are equipped with an external 15 amp, 120 volt GFCI convenience outlet located in the top corner of the compartment.

When the generator is running, in the absence of utility power, this outlet may also be used to power items outside the home such as lights or power tools. This outlet may also be used when utility power is present by running the generator in manual mode.

This outlet does not provide power if the generator is not running. Do not use this outlet when the generator is in Exercise mode. This outlet is protected by a 15 amp circuit breaker in the side compartment.

3.8 — Alarm Response Procedures

The generator is protected by a series of sensors that will detect an Alarm/Warning condition and alert the owner/operator of the condition via the Control Panel display. When certain alarm conditions are detected, the generator will shut down.

Alarm/Warning conditions can include (this is not a complete list):

- Low Oil Pressure
- High Engine Temperature
- Low Battery
- Under-voltage
- Exercise Set Error

NOTE: Unless properly trained to clear and correct Warning and Alarm conditions, contact the nearest Authorized dealer or Trained Technician.

3.9 — Battery Charger

NOTE: The battery charger is integrated into the control module in all models.

The battery charger operates as a "Smart Charger" that ensures:

- Output is continually optimized to promote maximum battery life.
- Charging levels are safe.

NOTE: A warning is displayed on the LCD when the battery needs service.

3.10 — Setting the Exercise Timer

This generator is equipped with an exercise timer. Once it is set, the generator will start and exercise every seven days, on the day of the week and at the time of day specified. During this exercise period, the unit runs for approximately 12 minutes and then shuts down. Transfer of loads to the generator output does not occur during the exercise cycle unless utility power is lost.

The exercise settings can be changed at any time via the "EDIT" menu.

If the 12 volt battery is disconnected or the fuse removed, the Installation Wizard will operate upon power restoration. The only difference is the display will only prompt the customer for the current Time and Date.

The exerciser will only work in the AUTO mode and will not work unless this procedure is performed. The current date/time will need to be reset every time the 12 volt battery is disconnected and then reconnected, and/or when the fuse is removed.

This page intentionally left blank.

Section 4

Maintenance

NOTE: Proper maintenance and proper and safe operation is crucial to the life of the generator. Genuine Generac parts **MUST** be used to ensure warranty coverage.

NOTE: Since most maintenance alerts will occur at the same time (most have two year intervals), only one will appear on the Control Panel display at any one time. Once the first alert is cleared, the next active alert will be displayed.



All service to this generator must be performed by a qualified service person only.

4.1 — Performing Scheduled Maintenance

It is important to perform Maintenance as specified in the Service Schedule for proper generator operation and to ensure that the generator complies with the applicable emission standards for the duration of its useful life. Service and repairs may be performed by any qualified service person or repair shop. Additionally, emissions critical maintenance must be performed as scheduled in order for the Emissions Warranty to be valid. Emissions critical maintenance consists of servicing the air filter and spark plugs in accordance with the Service Schedule. The controller will prompt for Schedule A or Schedule B maintenance to be performed. Schedule A maintenance consists of the oil, oil filter and tune-up. Schedule B maintenance includes the oil, oil filter, tune-up, air cleaner, spark plug(s) and valve clearance.

4.2 — Service Schedule

ATTENTION: All service work must be performed by a qualified service person only.

System Component	Procedure			Frequency
X = Action R= Replace as Necessary * = Notify Dealer if Repair is Needed	Inspect	Change	Clean	W = Weekly M = Monthly Y = Yearly
Fuel				
Fuel lines and connections*	X			M
Lubrication				
Oil level	X			M or 24 hours of continuous operation
Oil		X		2Y or 200 hours of operation**
Oil filter		X		2Y or 200 hours of operation**
Cooling				
Enclosure louvers	X		X	W
Battery				
Remove corrosion, ensure dryness	X		X	Y
Clean and tighten battery terminals	X		X	Y
Check charge state	X	X		Y
Electrolyte level (unsealed batteries only)*	X	X		Every 6 M
Engine and Mounting				
Air cleaner	X	X		400 hours
Spark plug(s)	X	X		400 hours
Valve Clearance	X			500 hours***
General Condition				
Vibration, Noise, Leakage*	X			M
Complete Tune-Up*	To be completed by a Dealer			2Y or 200 hours
* Contact the nearest Dealer for assistance if necessary.				
** Change oil and filter after the first 25 hours of operation. Continue to check at intervals of 200 hours or 2 years, whichever occurs first. Severe duty oil drain intervals: In cold weather conditions (ambient below 40°F/4.4°C) change engine oil and filter every year or 100 hours of operation to prevent accumulation of water in the oil. If the unit will be operated continuously in hot ambient conditions (ambient above 85°F/29.4°C) or operation in an extremely dusty or dirty environment change the engine oil and filter every year or 100 hours of operation to prevent oil breakdown.				
*** Check valve clearance after the first 25 hours of operation. Continue to check at intervals of 400 hours.				

4.2.1— Maintenance Log

1. Battery inspection and charge check (recommended every year (1) for the life of the battery)

NOTE: Check electrolyte level (unsealed batteries only) every 6 months.

Dates Performed:

2. Oil, oil filter and air filter replacement (recommended after the first 25 hours after installation and every 200 hours or 2 years, whichever occurs first) NOTE: Spark plug replacement (recommended every 4 years or 400 hours, whichever occurs first).

Dates Performed:

3. Valve Adjustment (recommended after the first 25 hours of operation and then after every 400 hours of operation)

Dates Performed:

4.3 — Checking Engine Oil Level

When power outages necessitate running the generator for extended periods, the oil level should be checked daily. To check the engine oil level:

1. If the generator is running during a utility outage, first turn OFF all associated loads running in the residence using the electrical panel's main disconnect. Then, turn the generator's Main Circuit Breaker to the OFF position.
2. Press the Control Panel OFF button. Wait 5 minutes.
3. Remove the dipstick and wipe it dry with a clean cloth.
4. Completely insert the dipstick and again remove it.
5. Observe the oil level. The level should be at the "Full" mark on the dipstick.
6. If necessary, remove the oil fill cap and add oil to the engine until the level reaches the "Full" mark and reinsert the dipstick and fill cap.
7. Press the Control Panel AUTO button.
8. If the generator was running during a utility outage, first turn the Main Circuit Breaker to the ON position. Then, turn ON the needed loads in the residence.



Never operate the engine with the oil level below the "Add" mark on the dipstick. Doing so could damage the engine.



Hot oil may cause burns. Avoid prolonged or repeated skin exposure with used oil. Thoroughly wash exposed areas with soap.

4.3.1— Engine Oil Recommendations

To maintain the warranty, genuine Generac replacement parts **MUST** be used, including Generac oil kits (which include an oil and air filter). Generac oil kits can be obtained through an Authorized Dealer or purchased on-line. To purchase on-line, access the maintenance kits page through www.generac.com or directly at shop.generac.com. Follow the prompts to enter delivery information and complete the purchase.

All Generac oil kits meet minimum American Petroleum Institute (API) Service Class SJ, SL, or better. Use no special additives. Select the appropriate viscosity oil grade according to the expected operating temperature. Synthetic oil also can be used in the appropriate weight as standard.

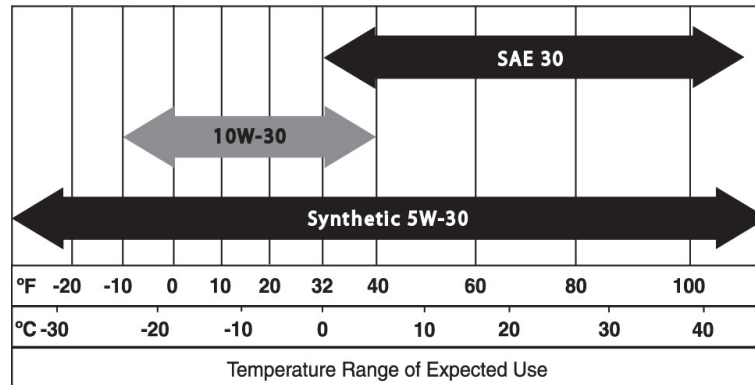


Figure 4-1: Recommended Oil Based on Temperature

- SAE 30 above 32° F (0° C)
- 10W 30 between 40° and -10° F (4° and -23° C)
- Synthetic 5W 30 for all temperature ranges



Any attempt to crank or start the engine before it has been properly serviced with the recommended oil may result in an engine failure.

4.3.2— Changing the Oil and Oil Filter

1. Start the engine by pressing the MANUAL button on the control panel and allow the engine to run until it is thoroughly warmed up. Then, press the Control Panel OFF button to shut down the engine.
2. A few minutes after the engine shuts OFF, when it has cooled slightly, lift the lid and remove the front panel. Pull the oil drain hose free of its retaining clip. Remove the cap from the hose and drain the oil into a suitable container.
3. After the oil has drained, replace the cap onto the end of the oil drain hose. Reposition and secure the hose with the retaining clip.
4. With the oil drained, remove the old oil filter by turning it counterclockwise. For filter location, see Figure 4-2.
5. Apply a light coating of clean engine oil to the gasket of the new filter.
6. Screw the new filter on by hand until its gasket lightly contacts the oil filter adapter. Then, tighten the filter an additional 3/4 to one full turn.
7. Refill the engine with the proper recommended oil. For recommended oil, see Figure 4-1.
8. Start the engine, run for 1 minute, and check for leaks.
9. Shutdown the engine and recheck the oil level. Add oil as needed. **DO NOT OVER FILL.**
10. Re-insert dipstick and/or reattach fill cap.
11. Press the Control Panel AUTO button.
12. Dispose of the used oil and filter at a proper collection center.

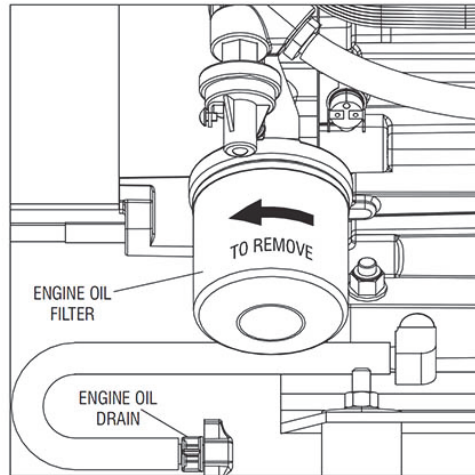


Figure 4-2: Oil Filter and Drain Location

4.4 — Changing the Engine Air Cleaner

1. With the generator shut down, lift the lid and remove the front panel.
2. Remove the cover clips and air cleaner cover (11-20kW), or disengage the wire clip and open the air cleaner access door (8kW).
3. Pull out the old air filter and discard.
4. Thoroughly clean the air cleaner enclosure of any dust or debris.
5. Install a new air cleaner.
6. Install the air cleaner cover and cover clips (11-20kW), or close the air cleaner access door and engage the wire clip (8kW).

4.5 — Spark Plugs

Reset the spark plug(s) gap or replace the spark plug(s) as necessary:

1. With the generator shut down, lift the lid and remove the front panel.
2. Clean the area around the base of the spark plug(s) to keep dirt and debris out of the engine.
3. Remove the spark plug(s) and check the condition. Install a new plug(s) if the old one is worn or if reuse is questionable.
4. Clean the plug(s) by scraping or washing with a wire brush and commercial solvent. Do not blast the plug(s) to clean.
5. Check the spark plug gap using a wire feeler gauge. See Figure 4-3. Adjust the gap by carefully bending the ground electrode to:
 - For 8, 11, and 20kW units - 0.76 mm (0.030 inch)
 - For 13, 14, 15, 16, 17kW units - 1.02 mm (0.040 inch)

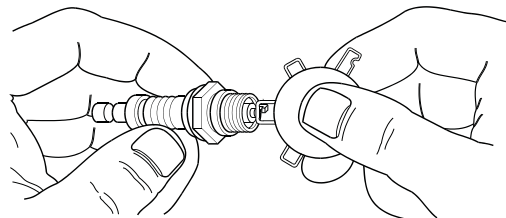


Figure 4-3: Spark Plug Gap Adjustment

4.6 — Valve Lash Adjustment

After the first 25 hours of operation and then at every 400 hour interval afterwards, check the valve clearance. Adjust if necessary.

Important: Please contact the Dealer for service assistance. This is a very important step to ensure longest life for the engine.

To check valve clearance:

- The engine should be cool before checking. If valve clearance is 0.002" - 0.004" (0.05 - 0.1mm), adjustment is not needed.
- Remove spark plug wires and position wires away from plugs.
- Remove spark plugs.
- Make sure the piston is at Top Dead Center (TDC) of its compression stroke (both valves closed). To get the piston at TDC, remove the intake screen at the front of the engine to gain access to the flywheel nut. Use a large socket and socket wrench to rotate the nut and hence the engine in a clockwise direction. While watching the piston through the spark plug hole. The piston should move up and down. The piston is at TDC when it is at its highest point of travel.

To adjust valve clearance (see Figure 4-4):

- Make sure the engine is at 60° to 80° F (16° to 27° C).
- Make sure that the spark plug wire is removed from the spark plug and out of the way.
- Remove the four screws attaching the valve cover.
- Loosen the rocker jam nut. Using a 10mm Allen wrench (530cc engine) or a 13mm Allen wrench (410cc, 990cc and 999cc engines), turn the pivot ball stud while checking clearance between the rocker arm and the valve stem with a feeler gauge. Correct clearance is 0.002-0.004 inch (0.05-0.1 mm).

NOTE: Hold the rocker arm jam nut in place as the pivot ball stud is turned.

- When valve clearance is correct, hold the pivot ball stud in place with the Allen wrench and tighten the rocker arm jam nut. Tighten the jam nut to 174 in-lbs. (19.68 N-m) torque. After tightening the jam nut, recheck valve clearance to make sure it did not change.
- Install new valve cover gasket.
- Re-attach the valve cover.

NOTE: Start all four screws before tightening or it will not be possible to get all the screws in place. Make sure the valve cover gasket is in place.

- Install spark plugs.
- Re-attach the spark plug wire to the spark plug.
- Repeat the process for the other cylinder, if necessary.

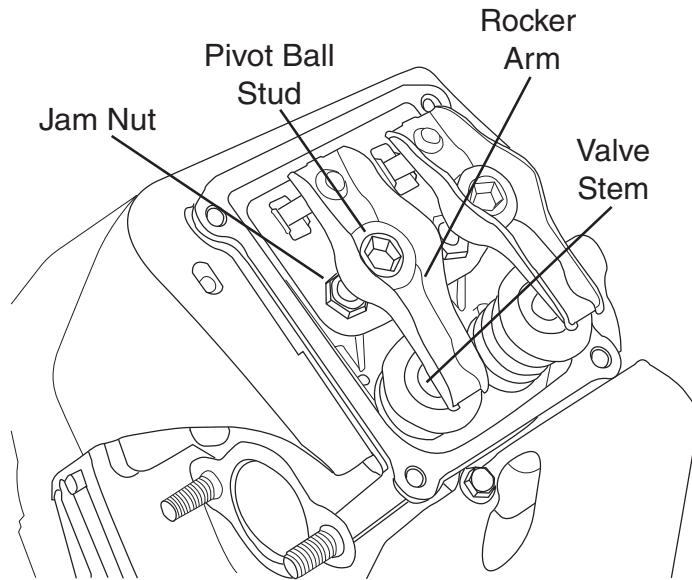


Figure 4-4: Valve Clearance Adjustment

4.7 — Battery Maintenance

The battery should be regularly inspected per the Service Schedule:

1. With the generator shut down, lift the lid and remove the front panel.
2. Inspect the battery posts and cables for tightness and corrosion. Tighten and clean as necessary.
3. Check the battery fluid level of unsealed batteries, and if necessary, fill with distilled water only. DO NOT use tap water. Also, have the Dealer or a qualified Service Technician check the state of charge and condition.

⚠ DANGER!

Do not dispose of the battery by incineration. The battery is capable of exploding.



A battery presents a risk of electrical shock and high short circuit current. Strictly observe the following precautions when working on batteries:



- Remove the 7.5 Amp fuse from the generator control panel.
- Remove all jewelry—watches, rings, metal objects, etc.
- Use tools with insulated handles.
- Wear rubber gloves and boots.
- Do not lay tools or metallic objects on top of the battery.
- Disconnect the charging source prior to connecting or disconnecting battery terminals.

⚠ WARNING!



Do not open or mutilate the battery. Released electrolyte has been known to be harmful to the skin and eyes, and to be toxic. The electrolyte is a dilute sulfuric acid that is harmful to the skin and eyes. It is electrically conductive and corrosive. Strictly observe the following precautions:

- Wear full eye protection and protective clothing.
- Where electrolyte contacts the skin, wash it off immediately with water.
- Where electrolyte contacts the eyes, flush thoroughly and immediately with water and seek medical attention.
- Wash down spilled electrolyte with an acid neutralizing agent. A common practice is to use a solution of 1 pound (500 grams) bicarbonate of soda to 1 gallon (4 liters) of water. The bicarbonate of soda solution is to be added until the evidence of reaction (foaming) has ceased. The resulting liquid is to be flushed with water and the area dried.



Lead-acid batteries present a risk of fire because they generate hydrogen gas. Strictly observe the following precautions:

- DO NOT smoke when near the battery.
- DO NOT cause flame or spark in the battery area.
- Discharge static electricity from the body before touching the battery by first touching a grounded metal surface.



Be sure the utility power supply is turned off and the 7.5 Amp fuse is removed from the generator Control Panel, or sparking may occur at the battery posts as the cables are attached and cause an explosion.

4.8 — Attention After Submersion

If the generator has been submerged in water, it MUST NOT be started and operated. Following any submersion in water, have a Dealer thoroughly clean, dry, and inspect the generator. If the structure (home) has been flooded, it should be inspected by a certified electrician to ensure there won't be any electrical problems during generator operation or when utility power is returned.

4.9 — Corrosion Protection

Periodically wash and wax the enclosure using automotive type products. Frequent washing is recommended in salt water/coastal areas. Spray engine linkages with a light oil such as WD-40.

4.10 — Out of Service Procedure

4.10.1— Removal From Service

If the generator cannot be exercised every 7 days and will be out of service longer than 90 days, prepare the generator for storage:

1. Start the engine and let it warm up.
2. Close the fuel shutoff valve in the fuel supply line and allow the unit to shut down.
3. Once the unit has shut down, set the generator's Main Circuit Breaker (Generator Disconnect) to its OFF (OPEN) position.
4. Turn off the utility power to the transfer switch.
5. Remove the 7.5 Amp fuse from the generator's Control Panel.
6. Disconnect the battery cables. Remove negative cable first.
7. Remove battery charger AC input T1/Neutral cable (has white sleeve) at controller.
8. While the engine is still warm, drain the oil completely, and then refill the crankcase with oil.
9. Attach a tag to the engine indicating the viscosity and classification of the new oil in the crankcase.
10. Remove the spark plug(s) and spray a fogging agent into the spark plug(s)' threaded openings. Reinstall and tighten the spark plug(s).

-
11. Remove the battery and store it in a cool, dry room on a wooden board. Never store the battery on any concrete or earthen floor.
 12. Clean and wipe down the entire generator.

4.10.2— Return to Service

To return the unit to service after storage:

1. Verify that utility power is turned off.
2. Check the tag on the engine for oil viscosity and classification. If necessary, drain and refill with proper oil.
3. Check the state of the battery. Fill all cells of unsealed batteries to the proper level with distilled water. DO NOT use tap water. Recharge the battery to 100% state of charge. If defective, replace the battery.
4. Clean and wipe down the entire generator.
5. Make sure the 7.5 Amp fuse is removed from the generator Control Panel.
6. Reconnect the battery. Observe battery polarity. Damage may occur if the battery is connected incorrectly. Install positive cable first.
7. Reconnect the battery charger AC input T1/Neutral cable (has white sleeve) at controller.
8. Open the fuel shutoff valve.
9. Insert the 7.5 Amp fuse into the generator Control Panel.
10. Start the unit by pressing the MANUAL button. Allow the unit to warm up for a few minutes.
11. Stop the unit by pressing the Control Panel OFF button.
12. Turn on the utility power to the transfer switch.
13. Set the Control Panel to AUTO.

The generator is ready for service.

NOTE: When a battery is dead or has been disconnected, the exercise timer and current date and time must be reset.

Section 5

Troubleshooting

Problem	Cause	Correction
The engine will not crank.	<ol style="list-style-type: none">1. Fuse blown.2. Loose, corroded or defective battery cables.3. Defective starter contact.4. Defective starter motor.5. Dead Battery.	<ol style="list-style-type: none">1. Correct short circuit condition by replacing 7.5 Amp fuse in generator control panel.2. Tighten, clean or replace as necessary.*3. *See #2.4. *See #2.5. Charge or replace battery.
The engine cranks but will not start.	<ol style="list-style-type: none">1. Out of fuel.2. Defective fuel solenoid (FS).3. Open #14 wire from engine control board.4. Defective spark plug(s).5. Valve lash out of adjustment.	<ol style="list-style-type: none">1. Replenish fuel/Turn on fuel valve.2. *3. Repair wiring.4. Clean, re-gap or replace plug(s).5. Reset valve lash.
The engine starts hard and runs rough.	<ol style="list-style-type: none">1. Air cleaner plugged or damaged.2. Defective spark plug(s).3. Fuel pressure incorrect. 4. Fuel selector in wrong position.	<ol style="list-style-type: none">1. Check/replace air cleaner.2. Clean, re-gap or replace plug(s).3. Confirm fuel pressure to regulator is 10-12" water column (19-22mm mercury) for LP, and 3.5-7" water column (7-13mm mercury) for natural gas.4. Move selector to correct position.
The generator is set to OFF, but the engine continues to run.	<ol style="list-style-type: none">1. Controller wired incorrectly2. Defective control board.	<ol style="list-style-type: none">1. Repair wiring or replace controller.2. *
There is no AC output from the generator.	<ol style="list-style-type: none">1. Main line circuit breaker is in the OFF (or OPEN) position.2. Generator internal failure.	<ol style="list-style-type: none">1. Reset circuit breaker to ON (or CLOSED).2. *
There is no transfer to standby after utility source failure.	<ol style="list-style-type: none">1. Main line circuit breaker is in the OFF (or OPEN) position..2. Defective transfer switch coil.3. Defective transfer relay.4. Transfer relay circuit open.5. Defective control logic board	<ol style="list-style-type: none">1. Reset circuit breaker to ON (or CLOSED) position.2. *3. *4. *5. *
Unit consumes large amounts of oil.	<ol style="list-style-type: none">1. Engine over filled with oil.2. Engine breather defective.3. Improper type or viscosity of oil. 4. Damaged gasket, seal or hose.	<ol style="list-style-type: none">1. Adjust oil to proper level.2. *3. See "Engine Oil Recommendations".4. Check for oil leaks.

***Contact an Authorized Service Dealer for assistance.**

This page intentionally left blank.

Problem	LED	Things to Check	Active Alarm	Solution
Unit running in AUTO but no power in house.	GREEN	Check MLCB.	NONE	Check MLCB. Contact servicing dealer if MLCB is in the ON position.
Unit shuts down during operation.	RED	Check the LEDs/Screen for alarms.	HIGH TEMPERATURE	Check ventilation around the intake, exhaust and rear of generator. Contact servicing dealer if no obstruction is found.
Unit shuts down during operation.	RED	Check the LEDs/Screen for alarms.	OVERLOAD REMOVE LOAD	Clear alarm and remove household loads from the generator. Put back in AUTO and restart.
Unit was running and shuts down, attempts to restart.	RED	Check the LEDs/Screen for alarms.	RPM SENSE LOSS	Clear alarm and remove household loads from the generator. Put back in AUTO and restart. If problem returns, contact servicing dealer to investigate possible fuel issue.
Unit will not start in AUTO with utility loss.	NONE	See if screen says unit not activated.	NOT ACTIVATED	Refer to activation section in Owner's Manual.
Unit will not start in AUTO with utility loss.	GREEN	Check screen for start delay countdown.	None	If the start up delay is greater than expected, contact servicing dealer to adjust from 2 to 1500 seconds.
Unit will not start in AUTO with utility loss.	RED	Check the LEDs/Screen for alarms.	LOW OIL PRESSURE	Check oil level. Add oil per Owner's Manual. Contact servicing dealer if oil level is correct.
Unit will not start in AUTO with utility loss.	RED	Check the LEDs/Screen for alarms.	RPM SENSE LOSS	Clear alarm. From the MAIN menu on the control panel, navigate to the BATTERY MENU. Contact servicing dealer if battery is GOOD. Replace battery if CHECK BATTERY is displayed.
Unit will not start in AUTO with utility loss.	RED	Check the LEDs/Screen for alarms.	OVERCRANK	Check fuel line shutoff valve is in the ON position. Clear alarm. Attempt to start the unit in MANUAL. If it does not start or starts and runs rough, contact servicing dealer.
Unit will not start in AUTO with utility loss.	RED	Check the LEDs/Screen for alarms.	LOW VOLTS REMOVE LOAD	Clear alarm and remove household loads from the generator. Put back in AUTO and restart.
Unit will not start in AUTO with utility loss.	RED	Check the LEDs/Screen for alarms.	FUSE PROBLEM	Check ATO 7.5 amp fuse. Replace with same type fuse if bad. Contact servicing dealer if fuse is good.
Unit will not start in AUTO with utility loss.	RED	Check the LEDs/Screen for alarms.	OVERSPEED	Contact servicing dealer.
Unit will not start in AUTO with utility loss.	RED	Check the LEDs/Screen for alarms.	UNDER VOLTAGE	Contact servicing dealer.
Unit will not start in AUTO with utility loss.	RED	Check the LEDs/Screen for alarms.	UNDERSPEED	Contact servicing dealer.

Problem	LED	Things to Check	Active Alarm	Solution
Unit will not start in AUTO with utility loss.	RED	Check the LEDs/Screen for alarms.	STEPPER OVERCURRENT	Contact servicing dealer.
Unit will not start in AUTO with utility loss.	RED	Check the LEDs/Screen for alarms.	MISWIRE	Contact servicing dealer.
Unit will not start in AUTO with utility loss.	RED	Check the LEDs/Screen for alarms.	OVERVOLTAGE	Contact servicing dealer.
Yellow LED illuminated in any state.	YELLOW	Check screen for additional information.	LOW BATTERY	Clear alarm. From the MAIN menu on the control panel, navigate to the BATTERY MENU. Contact servicing dealer if battery is GOOD. Replace battery if CHECK BATTERY is displayed.
Yellow LED illuminated in any state.	YELLOW	Check screen for additional information.	BATTERY PROBLEM	Contact servicing dealer.
Yellow LED illuminated in any state.	YELLOW	Check screen for additional information.	CHARGER WARNING	Contact servicing dealer
Yellow LED illuminated in any state.	YELLOW	Check screen for additional information.	SERVICE A	Perform SERVICE A maintenance; press ENTER to clear.
Yellow LED illuminated in any state.	YELLOW	Check screen for additional information.	SERVICE B	Perform SERVICE B maintenance; press ENTER to clear.
Yellow LED illuminated in any state.	YELLOW	Check screen for additional information.	Inspect Battery	Inspect battery; press ENTER to clear.

Part No. 0J9943SPFR Rev. F 05/30/2014 Printed in USA
© Generac Power Systems, Inc. All rights reserved
Specifications are subject to change without notice.
No reproduction allowed in any form without prior written
consent from Generac Power Systems, Inc.

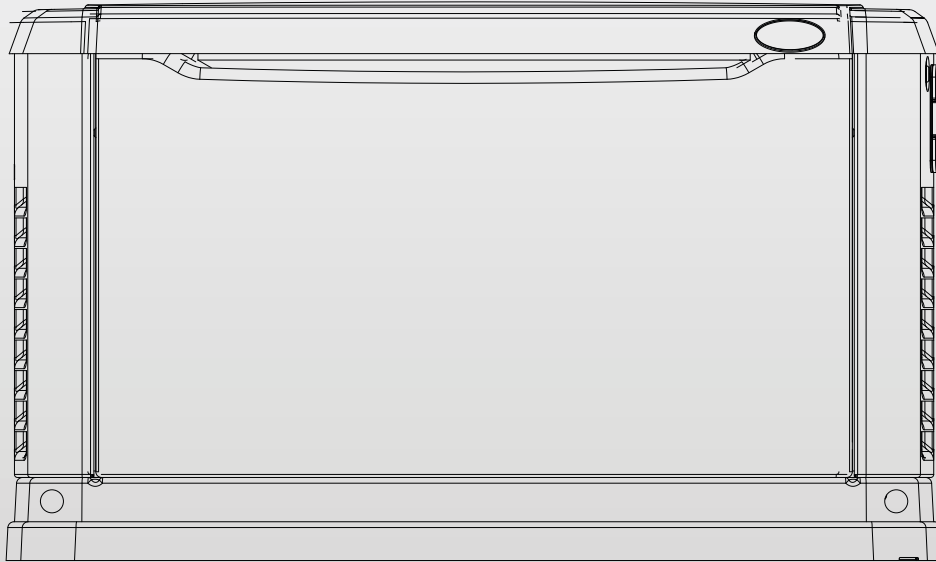
GENERAC[®]


Generac Power Systems, Inc.
S45 W29290 Hwy. 59
Waukesha, WI 53189
1-888-GENERAC (1-888-436-3722)
generac.com

Manual del propietario

Generador de reserva automático

GENERAC®



Modelo de reserva para hogares
8 kW a 20 kW

⚠ ¡PELIGRO!

- ⚠ NO ESTÁ DESTINADO AL USO EN APLICACIONES CRÍTICAS DE SOPORTE A LA VIDA HUMANA.
- ⚠ SOLO ELECTRICISTAS O CONTRATISTAS CUALIFICADOS DEBEN INTENTAR LA INSTALACIÓN.
- ⚠ ¡EMANACIONES DE ESCAPE MORTALES! ¡SOLO PARA INSTALACIÓN EN EXTERIORES!

Consulte toda la documentación apropiada.
Este manual debe permanecer con la unidad.

UL EE. UU.
LISTADO

Use esta página para registrar información importante acerca de su equipo generador.

MODEL	<input type="text"/>
SERIAL	<input type="text"/>
VOLTS	<input type="text"/>
AMPS	<input type="text"/>

1 PH, 60 Hz, RPM 3600
RAINPROOF ENCLOSURE FITTED
CLASS H INSULATION
RATED AMBIENT TEMP – 25°C
FOR STANDBY SERVICE
NEUTRAL FLOATING
MAX LOAD UNBALANCE–50%

WHITEWATER, WIS
MADE IN U.S.A.

Registre en esta página la información que se encuentra en la etiqueta de datos de su unidad. Para la ubicación de la etiqueta de datos de la unidad vea la Sección 2 Información general. La unidad tiene una placa de datos fijada en la partición interna, a la izquierda de la consola del tablero de control como se muestra en las Figuras 2-1, 2-2, y 2-3. Para las instrucciones sobre como retirar la puerta delantera vea la sección Operación de este manual. La etiqueta de identificación de la unidad proporciona la siguiente información:

- Número de modelo
- Número de serie
- Número de pieza del tablero de control
- Voltaje nominal de la unidad
- Corriente nominal máxima de la unidad (A)

Al comunicarse con un concesionario de servicio autorizado acerca de piezas y servicio, siempre suministre el número de modelo y el número de serie completos de la unidad.

Operación y mantenimiento: El mantenimiento y cuidado apropiados del generador aseguran la mínima cantidad de problemas y mantienen los gastos de funcionamiento al mínimo. Es responsabilidad del operador efectuar todas las comprobaciones de seguridad, asegurarse de que se efectúe en forma oportuna todo el mantenimiento para el funcionamiento seguro y hacer que el equipo sea comprobado periódicamente por un concesionario de servicio autorizado. El mantenimiento, servicio y sustitución de piezas normales son responsabilidad del propietario u operador y, como tales, no se consideran defectos en el material o mano de obra dentro de las condiciones de la garantía. Los hábitos y usos de operación individual pueden contribuir a la necesidad de mantenimiento o servicio adicional.

Cuando el generador requiera mantenimiento o reparaciones, comuníquese con un concesionario de servicio autorizado para obtener ayuda. Los técnicos de servicio autorizados reciben capacitación en la fábrica y tienen capacidad para atender todas las necesidades de servicio.

Para encontrar al CONCESIONARIO DE SERVICIO AUTORIZADO local

UBICACIÓN DEL CONCESIONARIO DE SERVICIO AUTORIZADO

Para ubicar el CONCESIONARIO DE SERVICIO AUTORIZADO más cercano, llame a este número:
1-800-333-1322

o visite el buscador de concesionarios en:

www.generac.com/Service/DealerLocator/

¡ADVERTENCIA!

Proposición 65 de California

El escape del motor y algunos de sus componentes son conocidos por el estado de California como causantes de cáncer, defectos congénitos y otros daños reproductivos.

¡ADVERTENCIA!

Proposición 65 de California

Este producto contiene o emite sustancias químicas que son conocidas por el estado de California como causantes de cáncer, defectos congénitos y otros daños reproductivos.

Índice

Sección 1 - Seguridad	1
1.1 - Información general sobre seguridad	2
1.2 - Peligros generales de seguridad	2
1.3 - Peligros del escape	3
1.4 - Peligros eléctricos	3
1.5 - Peligros de incendio	3
1.6 - Peligro de explosión	3
Sección 2 - Información general	5
2.1 - El generador	5
2.2 - Sistemas de protección	6
2.3 - Información sobre emisiones	7
2.4 - Especificaciones	8
2.5 - Accesorios	9
Sección 3 - Operación	11
3.1 - Interfaz del tablero de control	11
3.2 - Uso de los botones Auto/Off/Manual	12
3.3 - Pantallas de menú de la interfaz	12
3.4 - Operación de transferencia manual	15
3.5 - Apagado del generador cuando funciona bajo carga	15
3.6 - Operación de transferencia manual	15
3.7 - Compartimiento lateral	16
3.8 - Procedimientos de respuesta a las alarmas	17
3.9 - Cargador de baterías	17
3.10 - Configuración del temporizador de ejercitación	17
Sección 4 - Mantenimiento	19
4.1 - Ejecución del mantenimiento programado	19
4.2 - Programa de mantenimiento	19
4.3 - Comprobación del nivel de aceite del motor	20
4.4 - Cambio del depurador de aire del motor	22
4.5 - Bujías	22
4.6 - Ajuste de la luz de válvulas	23
4.7 - Mantenimiento de la batería	24
4.8 - Atención después de una inmersión	25
4.9 - Protección contra la corrosión	25
4.10 - Procedimiento de retiro del servicio	25
Sección 5 - Resolución de problemas	27
Sección 6 - Guía de referencia rápida	29

También se incluyen español, francés canadiense y portugués.

Esta página se ha dejado en blanco intencionalmente.

INTRODUCCIÓN: Gracias por comprar este grupo electrógeno de reserva estacionario, accionado por el motor, enfriado por aire, compacto y de alto rendimiento. Hemos hecho todos los esfuerzos para asegurar que la información y las instrucciones de este manual sean correctas y estén actualizadas en el momento de redactar este manual. Sin embargo, el fabricante se reserva el derecho de cambiar, alterar o de alguna otra manera mejorar este producto o manual en cualquier momento sin aviso previo.

Este generador está diseñado para suministrar alimentación eléctrica automáticamente para hacer funcionar cargas eléctricas críticas durante un fallo de alimentación del servicio público. Esta unidad se instaló en la fábrica en un gabinete metálico impermeable y **está destinada a ser instalada en exteriores exclusivamente**. Este generador funcionará usando extracción de vapor de propano líquido (LP) o gas natural (NG).

NOTA: Cuando está dimensionado apropiadamente, el generador es adecuado para alimentar cargas residenciales típicas como: motores de inducción (bombas de sumidero, refrigeradores, acondicionadores de aire, hornos, etc.), componentes electrónicos (ordenador, monitor, TV, etc.), cargas de iluminación y hornos de microondas.

LEA ESTE MANUAL MINUCIOSAMENTE: El operador es responsable del uso correcto y seguro de este equipo. El fabricante recomienda firmemente que el operador lea y comprenda completamente las instrucciones y contenido de este Manual del propietario antes de intentar usar el equipo. Si una parte de esta publicación no se comprende, comuníquese con el concesionario de servicio autorizado más cercano para los procedimientos de arranque, operación y mantenimiento.

GUARDE ESTAS INSTRUCCIONES: El fabricante sugiere que este manual y las reglas para la operación segura sean copiados y expuestos cerca del sitio de instalación de la unidad. Se debe hacer hincapié en la seguridad con todos los operadores y posibles operadores de este equipo.

SEGURIDAD: En este manual, en los rótulos y en las etiquetas adhesivas fijadas en la unidad, los bloques de PELIGRO, ADVERTENCIA, PRECAUCIÓN y NOTA se usan para alertar al personal sobre instrucciones especiales acerca de una operación, función o servicio en particular que puede ser peligroso si se efectúa de manera incorrecta o imprudente. Obsérvelos cuidadosamente. Sus definiciones son las siguientes:

⚠ ¡PELIGRO!

INDICA UNA SITUACIÓN O ACCIÓN PELIGROSA QUE, SI NO SE EVITA, OCASIONARÁ LA MUERTE O LESIONES GRAVES.

⚠ ¡ADVERTENCIA!

Indica una situación o acción peligrosa que, si no se evita, podrá ocasionar la muerte o lesiones graves.

⚠ ¡PRECAUCIÓN!

Indica una situación peligrosa que, si no se evita, podría ocasionar lesiones leves o moderadas.

NOTA: Las notas contienen información adicional importante para una operación o procedimiento.

Cuatro símbolos de seguridad de uso común acompañan a los bloques de PELIGRO, ADVERTENCIA y PRECAUCIÓN. Cada uno indica el siguiente tipo de información:



Este símbolo señala información de seguridad importante que, si no se respeta, podría poner en peligro la seguridad personal y/o material de terceros.



Este símbolo señala un posible peligro de explosión.



Este símbolo señala un posible peligro de incendio.



Este símbolo señala un posible peligro de choque eléctrico.


Estas "Alertas de seguridad" no pueden eliminar los peligros que señalan. El cumplimiento estricto de estas instrucciones especiales, más sentido común son las mejores medidas de prevención de accidentes.

1.1 — Información general sobre seguridad

Estudie cuidadosamente estas reglas de seguridad antes de operar o efectuar el servicio de este equipo. Familiarícese con este Manual del propietario y con la unidad. El generador puede funcionar de manera segura, eficiente y fiable solo si es instalado, operado y mantenido correctamente. Muchos accidentes se ocasionan por no seguir reglas o precauciones simples y fundamentales.


El fabricante no puede prever todas las circunstancias posibles que podrían involucrar un peligro. Las advertencias de este manual y los rótulos y etiquetas adhesivas fijadas en la unidad, por lo tanto, no son exhaustivas. Si usa un procedimiento, método de trabajo o técnica de funcionamiento que el fabricante no recomienda específicamente, asegúrese de que sea seguro para el personal. Asegúrese también de que el procedimiento, método de trabajo o técnica de funcionamiento utilizado no vuelva inseguro al generador.


¡PELIGRO!

 **A pesar del diseño seguro de este generador, operarlo imprudentemente, ser negligente en su mantenimiento o ser descuidado puede causar posibles lesiones o la muerte. Solo permita que personas responsables y capaces instalen, operen y mantengan este equipo.**


 **Estas máquinas generan voltajes potencialmente letales. Asegúrese de que se ejecuten los pasos para garantizar que la máquina sea segura antes de intentar trabajar en el generador.**

 **Las piezas del generador giran y/o se calientan durante el funcionamiento. Sea cuidadoso cerca de un generador funcionando.**

 **La instalación de este generador siempre debe cumplir los códigos, normas, leyes y reglamentos correspondientes.**

 **Un generador funcionando despiden monóxido de carbono, un gas MORTAL inodoro, incoloro y venenoso. Respirar monóxido de carbono puede causar mareos, palpitaciones en la sien, náuseas, contracciones musculares, dolor de cabeza, vómitos, debilidad, somnolencia, incapacidad para pensar coherentemente, desvanecimiento y aún la muerte.**

¡PRECAUCIÓN!

 **El tablero de control para esta unidad está destinado a ser operado solo por personal de servicio cualificado.**

1.2 — Peligros generales de seguridad

- Por razones de seguridad, este equipo solo debe ser instalado, mantenido y reparado por un concesionario de servicio u otro electricista o técnico de instalaciones competente y cualificado que esté familiarizado con los códigos, normas, reglamentos y las directrices del manual de instalación del producto correspondiente. El operador también debe cumplir todos estos códigos, normas, reglamentos y las directrices del manual de instalación del producto.
- Las emanaciones de escape del motor contienen monóxido de carbono, que puede ser MORTAL. Este gas peligroso, si se respira en concentraciones suficientes, puede causar pérdida de conocimiento o incluso la muerte. NO altere o añada nada al sistema de escape y no haga nada que pueda volver inseguro al sistema o que infrinja los códigos y normas correspondientes.
- Instale una alarma de monóxido de carbono en interiores, de acuerdo con las instrucciones y recomendaciones del fabricante.
- El flujo adecuado y sin obstrucciones del aire de enfriamiento y ventilación resulta crítico para el funcionamiento adecuado del generador. No altere la instalación ni permita el bloqueo, ni siquiera parcial, del suministro de ventilación, dado que esto puede afectar seriamente el funcionamiento seguro del generador. El generador SE DEBE instalar y hacer funcionar en exteriores.
- Mantenga las manos, pies, ropa, etc. alejados de las correas de transmisión y otras piezas en movimiento o calientes. Nunca retire ninguna protección de correas de transmisión o ventilador mientras la unidad esté funcionando.
- Cuando trabaje en este equipo, manténgase alerta en todo momento. Nunca trabaje en el equipo cuando esté fatigado física o mentalmente.
- Inspeccione el generador regularmente, y comuníquese con el concesionario más cercano en relación con las piezas que necesitan reparación o sustitución.
- Antes de efectuar cualquier mantenimiento en el generador, retire el fusible del tablero de control y desconecte el cable negativo de la batería (-) para evitar un arranque accidental. Al desconectar los cables de batería siempre retire primero el cable NEGATIVO (NEG o "-"), luego retire el cable POSITIVO (POS, o "+"). Al volver a conectar los cables, conecte primero el cable POSITIVO y último el NEGATIVO.
- Nunca use el generador o cualquiera de sus piezas como un escalón. Pararse sobre la unidad puede forzar y romper piezas y podría ocasionar condiciones de funcionamiento peligrosas por fugas de gases de escape, fugas de combustible, fugas de aceite, etc.

1.3 — Peligros del escape

- El escape del motor del generador contiene monóxido de carbono, un gas MORTAL inodoro, incoloro y venenoso. Respirar monóxido de carbono puede causar mareos, palpitaciones en la sien, náuseas, contracciones musculares, dolor de cabeza, vómitos, debilidad, somnolencia, incapacidad para pensar coherentemente, desvanecimiento y aún la muerte. Si se experimenta cualquier síntoma de envenenamiento por monóxido de carbono, trasládese al aire fresco e inmediatamente busque atención médica.
- Este generador está diseñado SOLO para instalación en EXTERIORES. Nunca haga funcionar este generador dentro de algún garaje u otro espacio cerrado.

1.4 — Peligros eléctricos

- Todos los generadores cubiertos por este manual producen voltajes eléctricos peligrosos que pueden causar choque eléctrico mortal. El servicio público de alimentación eléctrica entrega voltajes extremadamente altos y peligrosos al interruptor de transferencia, así como lo hace el generador de reserva cuando está funcionando. Evite contacto con cables, terminales, conexiones, etc. desnudos mientras la unidad está funcionando. Asegúrese de que todas las cubiertas, protecciones y barreras adecuadas estén en su lugar, fijas y/o bloqueadas antes de utilizar el generador. Si deben efectuarse trabajos alrededor de una unidad en funcionamiento, párese sobre una superficie aislada seca para reducir la posibilidad de choque eléctrico.
- No maneje ningún tipo de dispositivo eléctrico mientras esté parado sobre agua o esté descalzo o cuando tenga las manos o los pies mojados. PUEDE PRODUCIRSE UN CHOQUE ELÉCTRICO PELIGROSO.
- Este es un generador de reserva automático, el generador puede efectuar giros de arranque y arrancar en cualquier momento cuando se pierde el servicio público. Cuando esto ocurre, los circuitos de carga son transferidos a la fuente de alimentación DE RESERVA (generador). Para evitar lesiones, antes de trabajar en este generador (para inspección, servicio o mantenimiento), siempre coloque el generador en el modo OFF y retire el fusible de 7.5 A del tablero de control del generador.
- En caso de accidente causado por choque eléctrico, apague de inmediato la fuente de alimentación eléctrica. Si esto no es posible, intente liberar a la víctima del conductor alimentado. EVITE EL CONTACTO DIRECTO CON LA VÍCTIMA. Use un implemento no conductor, como una cuerda o tabla seca, para liberar a la víctima del conductor alimentado. Si la víctima está inconsciente, aplique primeros auxilios y obtenga ayuda médica de inmediato.
- Nunca use alhajas cuando trabaje en este equipo. Las alhajas pueden conducir electricidad y producir choque eléctrico o pueden ser atrapadas por componentes en movimiento y producir lesiones.

1.5 — Peligros de incendio

- Para seguridad contra incendios, el generador debe ser instalado y mantenido apropiadamente. La instalación siempre DEBE cumplir los códigos, normas, leyes, reglamentos y directrices del manual de instalación del producto correspondientes. Observe estrictamente los códigos eléctrico y de construcción locales, estatales y nacionales. Cumpla con los reglamentos que ha establecido la Administración de Seguridad y Salud Ocupacional (OSHA) de EE. UU. Asegúrese también de que el generador sea instalado de acuerdo con las instrucciones y recomendaciones del fabricante. Después de la instalación apropiada, no haga nada que altere una instalación segura y que pueda volver insegura a la unidad o la coloque en condiciones de incumplimiento de los códigos, leyes y reglamentos mencionados precedentemente.
- Mantenga un extintor de incendio cerca del generador en todo momento. Los extintores calificados "ABC" por la Asociación Nacional de Protección Contra Incendios (NFPA) de EE. UU. son apropiados para el uso en el generador de reserva. Mantenga el extintor cargado correctamente y familiarícese con su empleo. Consulte en el departamento de bomberos local todas las preguntas pertinentes a los extintores de incendio.

1.6 — Peligro de explosión

- No fume alrededor del generador. Recoja y seque inmediatamente todos los derrames de combustible o aceite. Asegúrese de que no se dejen materiales combustibles en el compartimiento del generador, o en el generador o cerca de este, porque pueden producir INCENDIO o EXPLOSIÓN. Mantenga la zona alrededor del generador limpia y sin residuos.
- Los fluidos gaseosos como el gas natural y el gas LP son extremadamente EXPLOSIVOS. Instale el sistema de suministro de combustible de acuerdo con los códigos de combustible gaseoso correspondientes. Antes de poner en servicio el sistema eléctrico de reserva para hogares, las tuberías del sistema de combustible deben ser purgadas y probadas contra fugas de acuerdo con el código correspondiente. Después de la instalación, inspeccione el sistema de combustible periódicamente en busca de fugas. No se permite ninguna fuga.

⚠ ¡ADVERTENCIA!



Si se usa este generador para alimentar circuitos de carga eléctrica normalmente alimentados por una fuente de alimentación del servicio público, se requiere por código instalar un interruptor de transferencia. El interruptor de transferencia debe aislar efectivamente el sistema eléctrico del sistema de distribución del servicio público cuando funciona el generador (NEC 702). No aislar un sistema eléctrico mediante estos medios, ocasionará daños al generador y también puede provocar lesiones o la muerte a los trabajadores del servicio público de electricidad debido a la realimentación de energía eléctrica.

2.1 — El generador

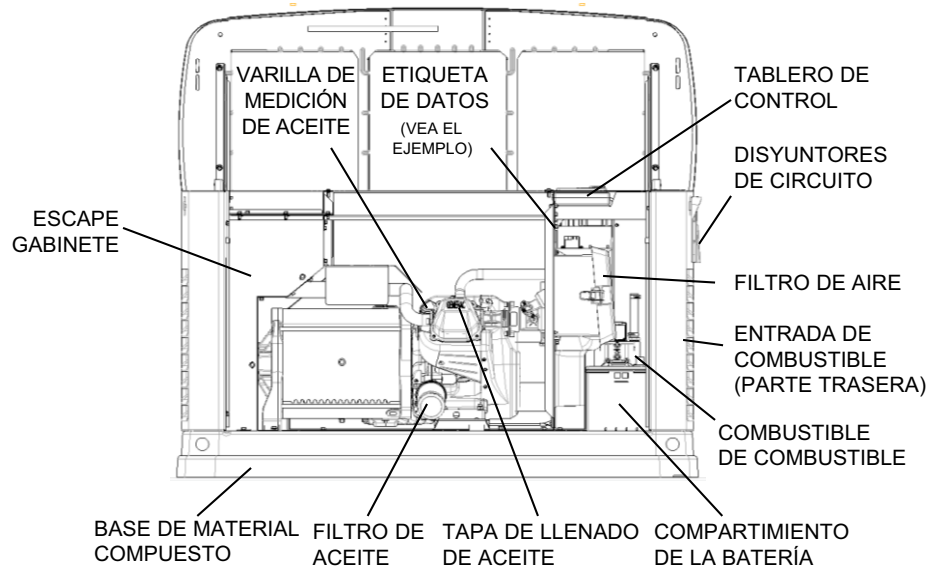


Figura 2-1: Unidad GH-410 motor de 8 kW

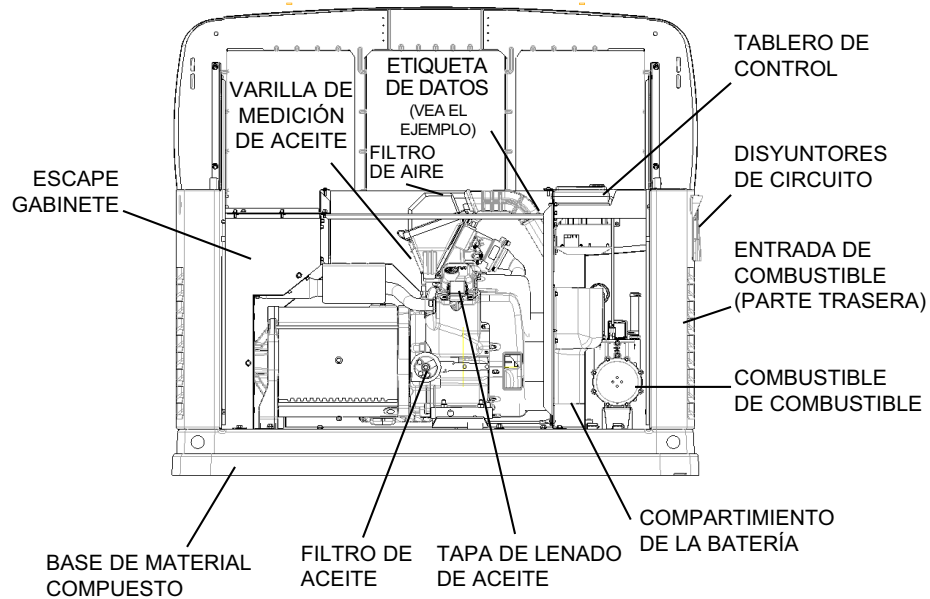


Figura 2-2: Unidad GH-530 motor de 11 kW

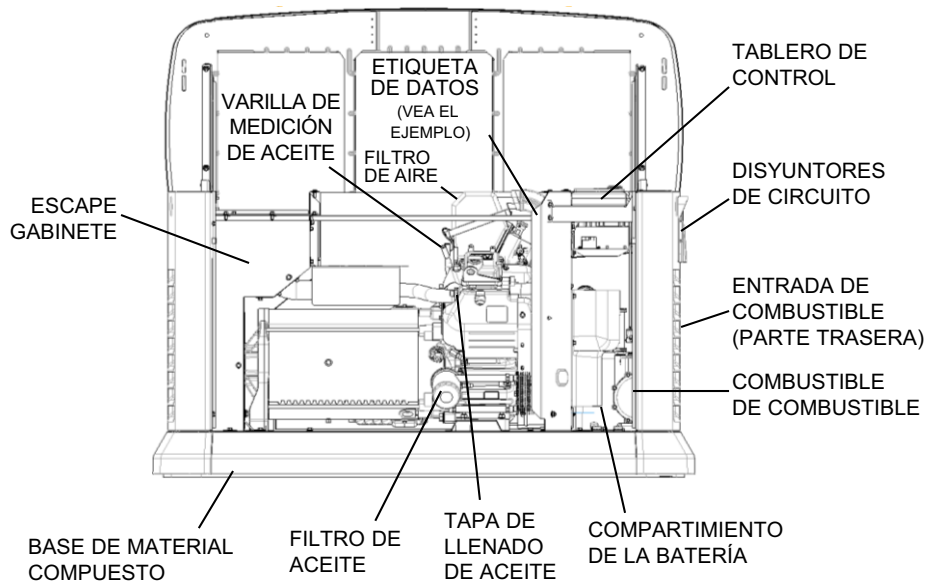


Figura 2-3: Unidad GT-990/GT-999 motores de 13-20 kW

2.2 — Sistemas de protección

El generador puede tener que funcionar durante períodos prolongados sin operador presente para monitorizar las condiciones del motor y generador. Por lo tanto, el generador tiene una cantidad de sistemas para parar automáticamente la unidad para protegerla contra condiciones potencialmente dañinas. Algunos de estos sistemas son los siguientes:

- Sensor de baja presión de aceite
- Sensor de alta temperatura
- Sensor de arranque fallido
- Sensor de sobrevelocidad
- Sensor de rpm
- Sensor de baja frecuencia
- Sensor de bajo voltaje
- Sensor de sobrevoltaje
- Sensor de fallo interno
- Alarma de bajo voltaje de la batería

El tablero de control contiene una pantalla que alerta al operador cuando ocurre una condición de fallo. La lista precedente no es exhaustiva. Para más información sobre alarmas y la operación del tablero de control, vea la sección 3 Operación.

2.3 — Información sobre emisiones

La Agencia de Protección Ambiental (EPA) de EE. UU. requiere que este generador cumpla normas sobre emisiones de escape. Este generador cuenta con la certificación de satisfacer los niveles de emisión aplicables de la EPA y cuenta con la certificación para uso como motor estacionario para generación de alimentación eléctrica de reserva. Cualquier otro uso puede ser una violación de leyes federales y/o locales. Para asegurar que el motor cumple con los estándares de emisiones aplicables durante la vida del motor, es importante seguir las especificaciones de mantenimiento en la Sección 4 Mantenimiento. Este generador cuenta con la certificación para funcionar con combustible vapor de propano líquido y gas natural de tubería.

Para los generadores de 13 kW y mayores, el código del Sistema de control de emisiones es EM (Modificación del motor). El Sistema de control de emisiones de este generador consiste en los componentes siguientes:

- Sistema de inducción de aire
 - Tubo/colector de admisión
 - Depurador de aire
- Sistema dosificador de combustible
 - Conjunto de carburador/mezclador
 - Regulador de combustible
- Sistema de encendido
 - Bujía
 - Módulo de encendido
- Sistema de escape
 - Colector de escape
 - Silenciador
 - Catalizador (solo el generador de 11 kW)

2.4 — Especificaciones

2.4.1 — Generador

Modelo	8 kW	11 kW	13 kW	14 kW	15 kW	16 kW	17 kW	20 kW
Voltaje nominal	240							
Corriente de carga nominal máxima (A) con 240 V (LP)*	33.3	45.8	54.2	58.3	62.5	66.6	70.8	83.3
Disyuntor principal	35 A	50 A	55 A	60 A	60 A	65 A	65 A	100 A
Fase	1							
Frecuencia nominal de CA	60 Hz							
Requisitos de la batería	Grupo 26R, 12 V y 525 A de arranque en frío (Núm. de pieza Generac 0H3421S)							
Peso (solo la unidad en lb/kg)	360/163.3	407/184.6	435/197.3	435/197.3	471/213.6	471/213.6	Acero - 471/213.6 Aluminio - 437/198.2	451/204.6
Gabinete	Acero	Acero	Acero	Acero	Acero	Acero	Acero/ Aluminio	Aluminio
Intervalo de funcionamiento normal	Esta unidad fue probada de acuerdo con las normas UL 2200 con una temperatura de funcionamiento de 20 °F (-29 °C) a 122 °F (50 °C). Para zonas donde las temperaturas desciendan por debajo de 32 °F (0 °C), se requiere un kit de frío y aceite sintético. Cuando funciona por encima de 77 °F (25 °C) puede haber una disminución de la potencia del motor. Consulte la sección de especificaciones del motor.							
Estos generadores están calificados de acuerdo con la Norma de seguridad para conjuntos de generador con motor estacionario UL 2200, y la Norma para motores y generadores CSA-C22.2 Núm. 100-04.								
* Los valores nominales dependerán del contenido de BTU/J específico del combustible. Las reducciones típicas son 10 a 20% del valor nominal para gas LP.								
** Los circuitos a ser transferidos deben estar protegidos por un disyuntor del mismo tamaño. Por ejemplo, un circuito de 15 A en el tablero principal debe ser un circuito de 15 A en el interruptor de transferencia.								

2.4.2 — Motor

Modelo	8 kW	11 kW	13/14/15/16/17 kW	20 kW
Tipo de motor	GH-410	GT-530	GT-990	GT-999
Cantidad de cilindros	1	2	2	2
Cilindrada	410 cm ³	530 cm ³	992 cm ³	999 cm ³
Bloque de cilindros	Aluminio con camisa de hierro fundido			
Bujía recomendada	RC14YC	BPR6HS	RC14YC	RC12YC
Separación de la bujía	0.76 mm [0.030 in]	0.76 mm [0.030 in]	1.02 mm [0.040 in]	0.76 mm [0.030 in]
Arrancador	12 VCC			
Capacidad de aceite incluyendo el filtro	Aprox. 1.5 qt/1.4 l	Aprox. 1.7 qt/1.6 l	Aprox. 1.9 qt/1.8 l	Aprox. 1.9 qt/1.8 l
Filtro de aceite recomendado	Núm. de pieza 070185E			
Filtro de aire recomendado	Núm. de pieza 0E9371A	Núm. de pieza 0E9371A	Núm. de pieza 0J8478	Núm. de pieza 0J8478
La potencia del motor está sujeta a y limitada por factores tales como el contenido de BTU/J del combustible, temperatura ambiente y altitud. La potencia máxima disminuye alrededor de 3.5% por cada 1000 ft (304.8 m) sobre el nivel del mar, y también disminuirá alrededor de 1% por cada 6 °C (10 °F) por sobre 15 °C (60 °F) de temperatura ambiente.				

La hoja de especificaciones para su generador se incluyó en la documentación provista con la unidad en el momento de la compra. Para obtener copias adicionales, consulte con el concesionario de servicio autorizado local para su modelo de generador específico.

2.4.3 — Requisitos del combustible

El motor ha sido dotado con un sistema de carburación de combustible doble. La unidad funcionará con gas natural o gas LP (vapor), pero ha sido configurada en la fábrica para funcionar con gas natural. El sistema de combustible será configurado para la fuente de combustible disponible durante la instalación.

Los combustibles recomendados deben tener un contenido de BTU de por lo menos 1000 BTU/ft³ (37.26 MJ/m³) para gas natural, o de por lo menos 2500 BTU/ft³ (93.15 MJ/m³) para gas LP (vapor).

NOTA: Si está convirtiendo de gas natural a gas LP, se recomienda un tanque de LP de 250 gal. (946 l) de tamaño mínimo. Vea el Manual de instalación para los procedimientos y detalles completos.

¡PELIGRO!



Los combustibles gaseosos como el gas natural y el gas de propano líquido son altamente explosivos. Hasta la chispa más pequeña puede encender tales combustibles y causar una explosión. No se permiten fugas de combustible. El gas natural, que es más liviano que el aire, tiende a acumularse en zonas altas. El gas LP es más pesado que el aire y tiende a asentarse en zonas bajas

2.4.4 — Requisitos de la batería

Grupo 26R, 12 V, 525 A mínimo de giro de arranque en frío (Núm. de pieza Generac 0H3421S).

Para los procedimientos correctos de mantenimiento de la batería, vea la Sección 4 Mantenimiento.

2.4.5 — Cargador de baterías

El cargador de baterías está integrado en el módulo del tablero de control en todos los modelos. Funciona como un "cargador inteligente" lo que asegura que los niveles de salida de carga sean seguros y estén optimizados continuamente para promover la máxima vida útil de la batería.

2.4.6 — Requisitos del aceite del motor

For proper oil viscosity, see chart in Figura 4-1: Aceite recomendado en base a la temperatura.

2.5 — Accesorios

Hay accesorios disponibles para mejorar el desempeño de los generadores enfriados por aire.

Accesorio	Descripción
Kit para clima frío	Mínimo en zonas donde las temperaturas caen regularmente debajo de 32 °F (0 °C).
Kit de mantenimiento programado	Incluye todas las piezas necesarias para efectuar el mantenimiento en el generador junto con las recomendaciones para el aceite.
Bloqueo del interruptor de transferencia auxiliar	Permite que cualquiera de los interruptores de transferencia bloquee completamente una carga eléctrica grande conectándolo en su sistema de control.
Banda de la falda del frente	Es estándar en todas las unidades de 20 kW. Está disponible para todas las unidades enfriadas por aire actualmente en producción. Se encaja entre sí para proporcionar una apariencia suave y contorneada, así como también protección contra roedores e insectos.
Mobile Link™	Provee un portal Web personalizado que muestra el estado del generador, el programa de mantenimiento, el historial de eventos y mucho más. Este portal es accesible mediante ordenador, tableta o smartphone. Envía correos electrónicos y/o notificaciones de texto en el momento en que haya algún cambio en el estado del generador. Los ajustes de notificación pueden ser personalizados a qué tipo de alerta se envía y con qué frecuencia. Para obtener más información, visite www.standbystatus.com .
Kit de pintura para retoques	Muy importante para mantener el aspecto y la integridad del gabinete del generador. Este kit incluye pintura para retoques e instrucciones.

Comuníquese con un concesionario para información adicional sobre accesorios.

Esta página se ha dejado en blanco intencionalmente.

3.1 — Interfaz del tablero de control



El tablero de control de esta unidad está destinado a ser operado solo por personal de servicio cualificado.

La interfaz del tablero de control está ubicada debajo de la tapa del gabinete. Antes de intentar levantar la tapa del gabinete, verifique que ambas cerraduras laterales izquierda y derecha estén abiertas. Para retirar la cubierta delantera, levante la cubierta recta hacia arriba para desenganchar los ganchos laterales, luego inclínela y levántela alejándola de la unidad.

Al cerrar la unidad, asegúrese de que ambas cerraduras laterales izquierda y derecha estén cerradas con seguridad. Vea Figura 3-1.



Las llaves incluidas provistas con esta unidad son para ser usadas solo por personal de servicio.

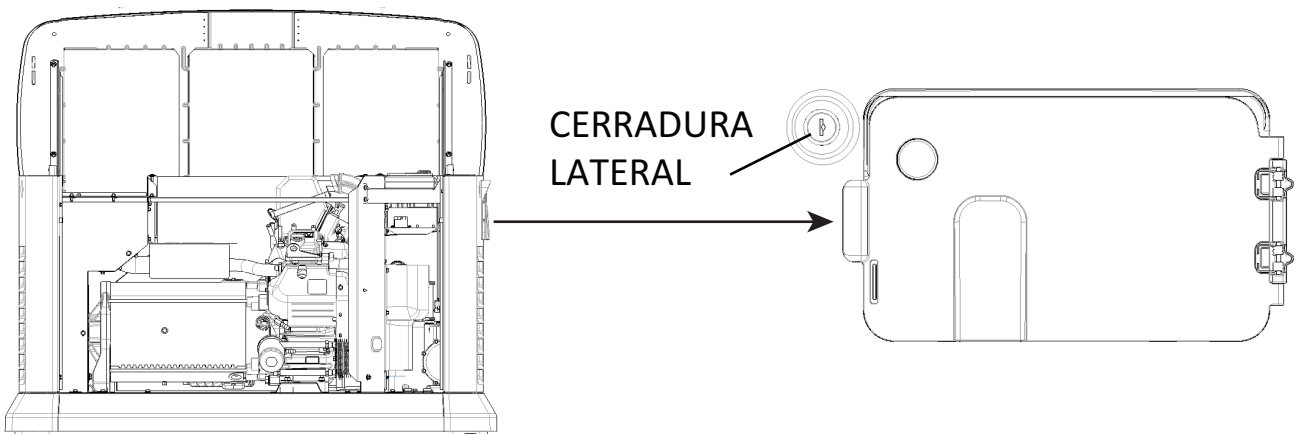


Figura 3-1: Generador con la tapa abierta/Ubicación de la cerradura lateral

⚠ ¡ADVERTENCIA!



Colocado en AUTO (Automático), el motor puede efectuar giros de arranque y arrancar en cualquier momento sin advertencia. Tal arranque automático ocurre cuando el voltaje de alimentación eléctrica del servicio público cae debajo de un nivel preconfigurado o durante el ciclo de ejercitación normal. Para evitar posibles lesiones que podrían ser causadas por tales arranques repentinos, siempre coloque en OFF y retire los fusibles antes de trabajar en o alrededor del generador o interruptor de transferencia. Luego coloque el rótulo "NO ACCIONAR" en el tablero del generador y en el interruptor de transferencia.

NOTA: El generador se debe hacer funcionar con todos los paneles apropiados instalados, incluso durante la resolución de problemas a cargo de un técnico.

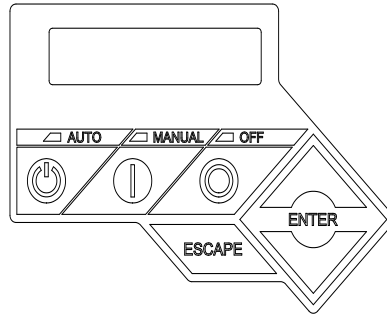


Figura 3-2: Tablero de control del generador

3.2 — Uso de los botones Auto/Off/Manual

Botón	Descripción de la operación
Auto	Seleccionar este botón activa el funcionamiento completamente automático del sistema. También permite que la unidad arranque el motor y efectúe ejercitaciones automáticamente cada siete días con la configuración del temporizador de ejercitación (vea la sección Configuración del temporizador de ejercitación).
Off	Este botón para el motor y también impide el funcionamiento automático de la unidad.
Manual	Este botón hará efectuar giros de arranque y arrancar al generador. La transferencia a la alimentación de reserva no ocurrirá salvo que haya un fallo del servicio público.

NOTA: El daño causado por un cableado incorrecto de los cables de interconexión no está cubierto por la garantía.

3.3 — Pantallas de menú de la interfaz

La pantalla LCD:

Función	Descripción
Página PRINCIPAL	Es la página predeterminada que se mostrará si no se pulsan botones durante 60 segundos. Esta página normalmente muestra el mensaje de estado actual y la fecha y hora reales. Se mostrará automáticamente en esta página la alarma o advertencia de más alta prioridad. También destellará la iluminación de fondo cuando se detecte tal condición. En el caso de varias alarmas o advertencias, solo se visualizará el primer mensaje. Para borrar una alarma o advertencia, pulse el botón OFF y luego pulse la tecla ENTER.
Iluminación de fondo de la pantalla	Normalmente apagada. Si el operador pulsa cualquier botón, la iluminación de fondo se encenderá automáticamente y permanecerá encendida durante 30 segundos.
Página MENÚ PRINCIPAL	Permite que el operador se desplace a todas las otras páginas usando los botones de flecha y ENTER. A esta página se puede acceder en cualquier momento pulsando varias veces el botón dedicado ESCAPE. Cada pulsación del botón ESCAPE lleva al operador al menú previo hasta que se muestre el MENÚ PRINCIPAL. Esta página contiene información para - Historial; Estado; Editar; Depurar.

3.3.1 — Desplazamiento en el sistema de menús

Para llegar al MENÚ, use la tecla "ESCAPE" en cualquier página. Puede ser necesario pulsarla varias veces antes de llegar a la página MENÚ. Desplácese hasta el elemento de menú deseado usando los botones ↑/↓. Cuando se muestre el elemento de menú deseado y esté destellando, pulse el botón "Enter". Vea Figura 3-3.

3.4 — Operación de transferencia automática

Para seleccionar funcionamiento automático:

1. Asegúrese de que los contactos principales del interruptor de transferencia estén colocados en su posición de UTILITY (Servicio público) (cargas conectadas a la fuente de alimentación del servicio público).
2. Asegúrese de que el voltaje normal de la fuente de alimentación del SERVICIO PÚBLICO esté disponible en los terminales N1 y N2 del interruptor de transferencia.
3. Pulse el botón AUTO en la interfaz del tablero de control.
4. Coloque el disyuntor principal (interruptor de desconexión del generador) en su posición ON (Cerrado).

Completados estos pasos, el generador arrancará automáticamente cuando el voltaje de la fuente de servicio público caiga debajo de un nivel preconfigurado. Después de que la unidad arranque, las cargas se transfieren a la fuente de alimentación de reserva.

3.4.1 — Secuencia de funcionamiento automática

3.4.1.1 — Fallo del servicio público

Con el generador configurado en AUTO (Automático) cuando falla el servicio público (por debajo de 65% del valor nominal), comienza un retardo de 10 segundos (programable opcionalmente) desde el momento de interrupción de la línea. Cuando finalice el temporizador, si el servicio público aún no está presente, el motor efectuará giros de arranque y arrancará. Una vez que arranque, comenzará un segundo temporizador de calentamiento de cinco (5) segundos. Cuando el temporizador de calentamiento finalice, el controlador transferirá la carga al generador. Si se restablece la alimentación de servicio público (por encima de 75% del valor nominal) en cualquier momento desde el inicio del arranque del motor hasta que el generador esté listo para aceptar una carga (el tiempo de calentamiento de 5 segundos no ha transcurrido), el controlador completará el ciclo de arranque y hará funcionar al generador en su ciclo de enfriamiento normal.

3.4.1.2 — Giros de arranque del motor

El sistema controlará los giros de arranque cíclicos como sigue:

- Unidad de 8 kW: 5 ciclos de giros de arranque como sigue: 15 segundos de giros de arranque, (7) segundos de descanso, seguidos por cuatro (4) ciclos adicionales de siete (7) segundos de giros de arranque, seguidos siete (7) segundos de descanso.
- Unidades de 11 a 20 kW: 5 ciclos de giros de arranque como sigue: 16 segundos de giros de arranque, siete (7) segundos de descanso, 16 segundos de giros de arranque, siete (7) segundos de descanso, seguidos por tres (3) ciclos adicionales de siete (7) segundos de giros de arranque, seguidos por siete (7) segundos de descanso.

3.4.1.3 — Transferencia de carga

Cuando el generador está funcionando, la transferencia de carga depende del modo de funcionamiento:

MANUAL	<ul style="list-style-type: none">• No transferirá al generador si hay servicio público presente.• Transferirá al generador si el servicio público falla (debajo de 65% del valor nominal durante 10 segundos consecutivos).• Transferirá de vuelta al servicio público cuando el servicio público regrese durante 15 segundos consecutivos. El motor continuará funcionando hasta que lo retire del modo MANUAL.
AUTO	<ul style="list-style-type: none">• Arrancará y funcionará si el servicio público falla durante 10 segundos consecutivos (valor predeterminado de fábrica).• Inicialá un temporizador de calentamiento del motor de 5 segundos.<ul style="list-style-type: none">•No transferirá si el servicio público regresa en el ínterin.•Transferirá al generador si no hay servicio público presente.• Transferirá de vuelta al servicio público una vez que el servicio público regrese (por encima de 75% del valor nominal) durante 15 segundos.• No transferirá de vuelta al servicio público salvo que regrese el servicio público. El generador se para si se pulsa el botón OFF o hay presente una alarma de parada.• Una vez que retorna la alimentación del servicio público, el generador para después de 1 minuto de tiempo de enfriamiento.
EJERCITACIÓN	<ul style="list-style-type: none">• No efectuará ejercitación si el generador ya está funcionando en modo AUTO (Automático) o MANUAL.• Durante la ejercitación, el controlador solo transferirá si el servicio público falla 10 segundos durante la ejercitación y conmutará a AUTO (Automático).

3.5 — Apagado del generador cuando funciona bajo carga

NOTA: ¡Importante! Para parar el generador durante apagones prolongados del servicio público para efectuar mantenimiento o conservar combustible, siga estos pasos simples pero importantes:

Para colocar el generador en OFF (mientras funciona en AUTO y en línea):

1. Coloque en OFF (o ABIERTO) el interruptor de desconexión del servicio público.
2. Coloque en OFF (o ABIERTO) el disyuntor principal de línea (MLCB) en el generador.
3. Coloque el generador en OFF.

Para encender el generador nuevamente:

1. Coloque el generador de vuelta en AUTO y permítale arrancar y calentarse unos pocos minutos.
2. Coloque en ON (o CERRADO) el MLCB del generador.

El sistema ahora estará funcionando en modo automático. El interruptor de desconexión principal del servicio público puede ser puesto en ON (o CERRADO), pero para apagar la unidad, debe repetirse este proceso completo.

3.6 — Operación de transferencia manual

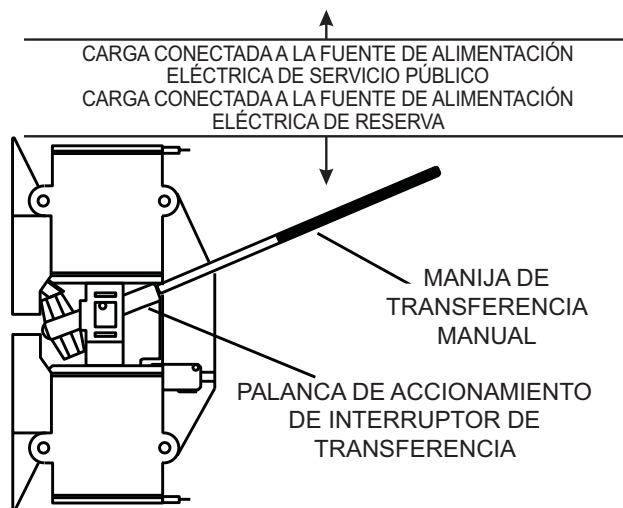
⚠ ¡PELIGRO!



NO intente activar el interruptor de transferencia manualmente hasta que todos los suministros de voltaje de alimentación al interruptor hayan sido colocados completamente en OFF. No colocar en OFF todas las posibles fuentes de voltaje de alimentación puede provocar choque eléctrico extremadamente peligroso y posiblemente mortal.

Antes del funcionamiento automático, ejercite manualmente el interruptor de transferencia para verificar que no haya interferencia con la operación correcta del mecanismo. La operación manual del interruptor de transferencia se requiere en caso de que la operación electrónica falle.

3.6.1 — Transferencia a la fuente de alimentación del generador



1. Pulse el botón OFF del tablero de control.
2. Coloque el disyuntor principal (interruptor de desconexión del generador) en su posición OFF (ABIERTO).
3. Desconecte la alimentación del servicio público al interruptor de transferencia usando los métodos proporcionados (como el disyuntor principal de línea).
4. Use la manija de transferencia manual dentro del interruptor de transferencia para mover de vuelta los contactos principales a sus posiciones de STANDBY (Reserva) (cargas conectadas a la fuente de alimentación de reserva).
5. Para efectuar giro de arranque y arrancar el motor, pulse el botón MANUAL del tablero de control.
6. Deje que el motor se estabilice y caliente unos pocos minutos.
7. Coloque el disyuntor principal (interruptor de desconexión del generador) en su posición ON (CERRADO). La fuente de alimentación de reserva ahora alimenta a las cargas.

Figura 3-4: Operación manual del interruptor de transferencia

3.6.2 — Transferencia de vuelta a la fuente de alimentación del servicio público.

Cuando se haya restablecido la alimentación del servicio público, transfiera de vuelta a la fuente del servicio público y pare el generador. Para transferir de vuelta a la alimentación del servicio público y parar el generador:

1. Coloque el disyuntor principal (interruptor de desconexión del generador) en su posición OFF (ABIERTO).
2. Permita que el motor funcione 2 minutos sin carga para estabilizar las temperaturas internas.
3. Pulse el botón OFF del tablero de control. El motor debe parar.
4. Asegúrese de que el suministro del servicio público al interruptor de transferencia esté apagado.
5. Use la manija de transferencia manual dentro del interruptor de transferencia para mover de vuelta los contactos principales a sus posiciones de UTILITY (Servicio público) (cargas conectadas a la fuente de alimentación de servicio público).
6. Coloque en ON el suministro de alimentación del servicio público al interruptor de transferencia, usando los medios proporcionados.
7. Pulse el botón AUTO (Automático) del tablero de control.

3.7 — Compartimiento lateral

Los códigos locales pueden requerir que este compartimiento esté cerrado. Se proporciona un portacandado de manera que el propietario u operador pueda asegurar el compartimiento con su propio candado. Compruebe en los códigos locales los requisitos de cierre del compartimiento lateral.

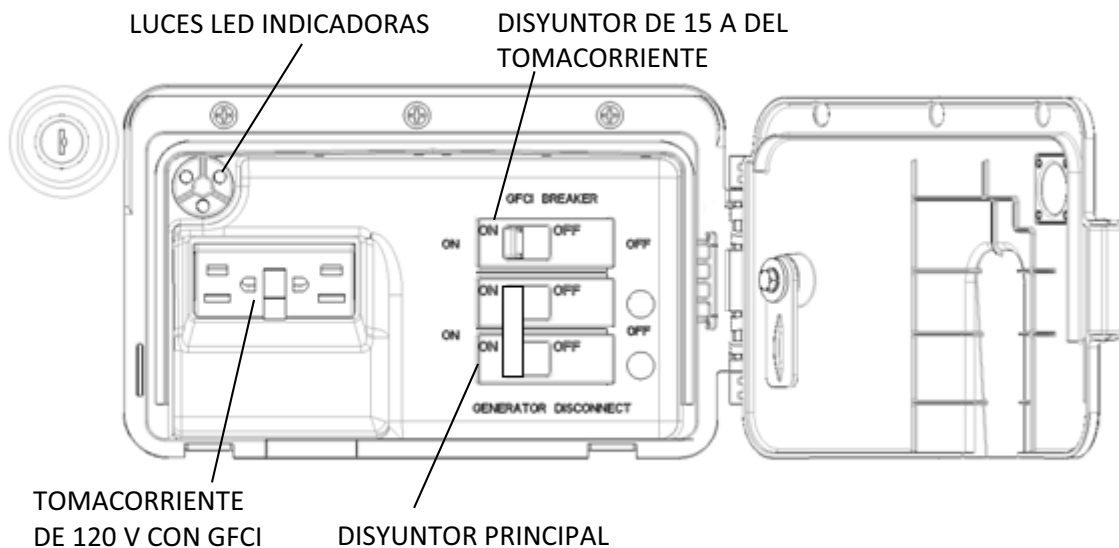


Figura 3-5: Compartimiento lateral abierto

3.7.1 — Disyuntor principal (Interruptor de desconexión del generador)

Este es un disyuntor de 2 polos con valor nominal de acuerdo con las especificaciones relevantes.

3.7.2 — Luces LED indicadoras

- La luz LED verde "Ready" (Listo) se enciende cuando hay servicio público presente y el botón del tablero de control está en posición AUTO (Automático). Esto también indica cuando el generador está funcionando.
- La luz LED roja "Alarm" (Alarma) se enciende cuando el generador está en OFF o se detectó un fallo. Significa que debe comunicarse con su concesionario de servicio autorizado.
- Luz LED amarilla "Maintenance" (Mantenimiento). Nota: El LED amarillo puede estar encendido al mismo tiempo que el LED rojo o el verde.

3.7.3 — Disyuntor de tomacorriente de 120 V/15 A con GFCI (solo 17 y 20 kW)

Todas las unidades cuentan con un tomacorriente auxiliar externo de 120 V y 15 A con interruptor por pérdida a tierra (GFCI) ubicado en la esquina superior izquierda del compartimiento.

Cuando el generador está funcionando, ante la falta de servicio público este tomacorriente se puede usar para alimentar elementos afuera del hogar como luces y herramientas eléctricas. Este tomacorriente también se puede usar cuando hay servicio público presente haciendo funcionar el generador en modo manual.

Este tomacorriente no proporciona alimentación si el generador no está funcionando. No use este tomacorriente cuando el generador esté en modo de ejercitación. Este tomacorriente está protegido por un disyuntor de 15 A en el compartimiento lateral.

3.8 — Procedimientos de respuesta a las alarmas

El generador está protegido por una serie de sensores que detectarán una condición de alarma o advertencia y alertarán al propietario u operador sobre la condición mediante la pantalla del tablero de control. Cuando se detectan condiciones de alarma, el generador se para.

Las condiciones de alarma y advertencia pueden incluir (esta no es una lista completa):

- Baja presión de aceite
- Alta temperatura del motor
- Carga baja de batería
- Bajo voltaje
- Error de configuración de la ejercitación

NOTA: Salvo que esté capacitado apropiadamente para borrar y corregir las condiciones de advertencia y alarma, comuníquese con el concesionario autorizado o técnico capacitado más cercano.

3.9 — Cargador de baterías

NOTA: El cargador de baterías está integrado en el módulo de control en todos los modelos.

El cargador de baterías funciona como un "cargador inteligente" que asegura:

- La salida se optimiza continuamente para promover la vida útil máxima de la batería.
- Los niveles de carga son seguros.

NOTA: Se visualiza una advertencia en el LCD cuando la batería necesita servicio.

3.10 — Configuración del temporizador de ejercitación

Este generador tiene un temporizador de ejercitación. Una vez que se configure el temporizador, el generador iniciará una ejercitación cada siete días, en el día de la semana y a la hora del día especificados. Durante este período de ejercitación, la unidad funciona aproximadamente 12 minutos y luego para. La transferencia de cargas a la salida del generador no ocurre durante el ciclo de ejercitación excepto que se pierda la alimentación eléctrica.

La configuración de ejercitación se puede cambiar en cualquier momento mediante el menú "EDITAR".

Si la batería de 12 V se desconecta o se retira el fusible, el asistente de instalación funcionará al restablecerse la alimentación eléctrica. La única diferencia es que la pantalla solo pedirá al cliente la hora y fecha actuales.

El ejercitador solo funcionará en el modo AUTO y no funcionará a menos que se realice este procedimiento. La fecha y hora actuales deberán ser restablecidas cada vez que se desconecte y vuelva a conectar la batería de 12 V, y/o cuando se retire el fusible.

Esta página se ha dejado en blanco intencionalmente.

NOTA: El mantenimiento correcto y la operación correcta y segura son cruciales para la duración del generador. DEBEN usarse piezas originales de Generac para asegurar la cobertura de garantía.

NOTA: Dado que la mayoría de alertas de mantenimiento ocurrirán al mismo tiempo (la mayoría tiene dos años de intervalo), solo aparecerá una por vez en la pantalla del tablero de control. Una vez que se borra la primera alerta, se mostrará la siguiente alerta activa.



Todo el servicio de este generador debe ser efectuado solo por personal de servicio cualificado.

4.1 — Ejecución del mantenimiento programado

Es importante ejecutar el mantenimiento como se indica en el Programa de mantenimiento para el funcionamiento correcto del generador y para asegurar que el generador cumpla con las normas de emisiones aplicables durante toda su vida útil. El servicio y las reparaciones pueden ser efectuados por cualquier personal de servicio o taller de reparaciones cualificado. Además, el mantenimiento crítico respecto de las emisiones debe ser efectuado según lo programado para que la Garantía de emisiones sea válida. El mantenimiento crítico respecto de las emisiones consiste en efectuar el mantenimiento del filtro de aire y las bujías de acuerdo con el Programa de mantenimiento. El controlador le indicará efectuar el Programa de mantenimiento A o el Programa de mantenimiento B. El Programa de mantenimiento A consiste en el aceite, filtro de aceite y afinación. El Programa de mantenimiento B incluye el aceite, filtro de aceite, afinación, depurador de aire, bujía(s) y luz de válvulas.

4.2 — Programa de mantenimiento

ATENCIÓN: Todo el mantenimiento de este generador debe ser efectuado solo por personal de servicio cualificado.

Componente del sistema	Procedimiento			Frecuencia
X = Acción R= Sustituya como sea necesario * = Notifique al concesionario si se requiere reparación	Inspección	Sustitución	Limpieza	W = Semanalmente M = Mensualmente Y = Anualmente
Combustible				
Tuberías y conexiones de combustible*	X			M
Lubricación				
Nivel de aceite	X			M o 24 horas de funcionamiento continuo
Aceite		X		2 A o 200 horas de funcionamiento.**
Filtro de aceite		X		2 A o 200 horas de funcionamiento.**
Enfriamiento				
Persianas del gabinete	X		X	W
Batería				
Remueva la corrosión, asegúrese de que no haya humedad	X		X	Y
Limpie y apriete los bornes de la batería	X		X	Y
Compruebe el estado de carga	X	X		Y
Nivel de electrolito (solo baterías no selladas)*	X	X		Cada 6 M
Motor y montaje				
Depurador de aire	X	X		400 horas
Bujía(s)	X	X		400 horas
Luz de válvulas	X			500 horas***
Condición general				
Vibración, ruido, fugas*	X			M
Afinación completa*	A ser completada por un concesionario			2 A o 200 horas

* Comuníquese con el concesionario más cercano para obtener ayuda si es necesario.

** Cambie el aceite y el filtro después de las primeras 25 horas de funcionamiento. Continúe comprobando con intervalos de 200 horas o 2 años, lo que ocurra primero. Intervalos de vaciado de aceite para servicio pesado: En condiciones de tiempo frío (temperatura ambiente menor que 40 °F/4,4 °C) cambie el aceite y el filtro de aceite de motor cada año o 100 horas de funcionamiento para evitar la acumulación de agua en el aceite. Si la unidad funciona continuamente en medio ambiente caliente (temperatura ambiente mayor que 85 °F/29,4 °C) o funciona en un entorno extremadamente polvoriento o sucio, cambie el aceite y el filtro de aceite de motor cada año o cada 100 horas de funcionamiento para evitar la descomposición del aceite.

*** Compruebe la luz de válvulas después de las primeras 25 horas de funcionamiento. Continúe comprobando con intervalos de 400 horas.

4.2.1 — Registro de mantenimiento

1. Inspección de la batería y comprobación de la carga (recomendado cada año durante la vida útil de la batería)

NOTA: Compruebe el nivel de electrolito (solo baterías no selladas) cada 6 meses.

Fechas en que se efectuó:

2. Sustitución del aceite, filtro de aceite y filtro de aire (recomendado después de las primeras 25 horas después la instalación y cada 200 horas o 2 años, lo que ocurra primero) NOTA: Sustitución de la batería (recomendado cada 4 años o 400 horas, lo que ocurra primero).

Fechas en que se efectuó:

3. Ajuste de válvulas (recomendado después de las primeras 25 horas de funcionamiento y luego cada 400 horas de funcionamiento)

Fechas en que se efectuó:

4.3 — Comprobación del nivel de aceite del motor

Cuando en razón de apagones del servicio público sea necesario mantener funcionando el generador por períodos prolongados, el nivel de aceite debe ser comprobado diariamente. Para comprobar el nivel de aceite del motor:

1. Si el generador está funcionando durante una interrupción del servicio público del servicio público, primero apague todas las cargas asociadas que funcionan en la residencia usando la desconexión principal del tablero eléctrico. Luego, coloque el disyuntor principal del generador en la posición OFF.
2. Pulse el botón OFF del tablero de control. Espere 5 minutos.
3. Retire la varilla de medición y séquela con un trapo limpio.
4. Inserte completamente la varilla de medición y vuelva a retirarla.
5. Observe el nivel de aceite. El nivel debe estar en la marca "Full" (Completo) de la varilla de medición.
6. De ser necesario, retire la tapa de llenado de aceite y añada aceite hasta que el nivel llegue a la marca "Full" y vuelva a insertar la varilla de medición y colocar la tapa.
7. Pulse el botón AUTO (Automático) del tablero de control.
8. Si el generador estaba funcionando durante una interrupción del servicio público del servicio público, primero ponga el disyuntor principal en la posición ON. Luego, conecte las cargas necesarias en la residencia.



Nunca use el motor con el nivel de aceite debajo de la marca "Add" (Añadir) de la varilla de medición. Hacerlo podría dañar el motor.



El aceite caliente puede provocar quemaduras. Evite la exposición prolongada o repetida de la piel al aceite usado. Lave cuidadosamente con jabón las zonas expuestas.

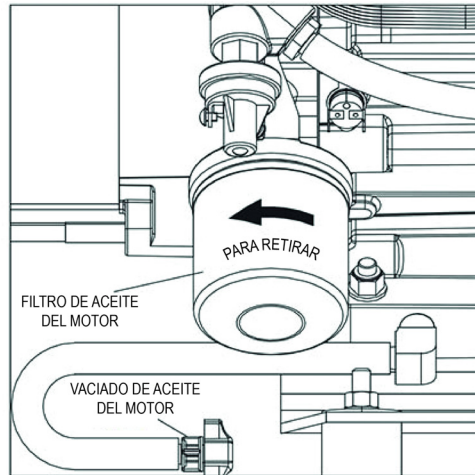


Figura 4-2: Ubicación del filtro y el vaciado de aceite

4.4 — Cambio del depurador de aire del motor

1. Con el generador parado, levante la tapa y retire el panel delantero.
2. Retire las pinzas de la cubierta y la cubierta del depurador de aire (11-20 kW), o desenganche la pinza de alambre y abra la puerta de acceso del depurador de aire (8 kW).
3. Extraiga el filtro de aire antiguo y deséchelo.
4. Limpie completamente de polvo o residuos la carcasa del depurador de aire.
5. Instale un depurador de aire nuevo.
6. Instale la cubierta del depurador de aire y las pinzas de la cubierta (11-20 kW), o cierre la puerta de acceso del depurador de aire y enganche la pinza de alambre (8 kW).

4.5 — Bujías

Reajuste la separación de los electrodos de la(s) bujía(s) o sustituya la(s) bujía(s) como sea necesario:

1. Con el generador parado, levante la tapa y retire el panel delantero.
2. Limpie la zona alrededor de la(s) base(s) de la(s) bujía(s) para mantener la suciedad y residuos afuera del motor.
3. Retire la(s) bujía(s) y compruebe su condición. Instale bujía(s) nueva(s) si la(s) anterior(es) está(n) desgastada(s) o si volverla(s) a usar es cuestionable.
4. Limpie la(s) bujía(s) raspando o lavando con un cepillo de alambre y solvente comercial. No arene la(s) bujía(s) para limpiarla(s).
5. Compruebe la separación de los electrodos de bujía usando un calibrador de espesores de alambre. Vea la Figura 4-3 Ajuste la separación doblando cuidadosamente el electrodo de conexión a tierra a:
 - 0.76 mm (0.030 in) para las unidades de 8, 11 y 20 kW
 - Para las unidades de 13, 14, 15, 16 y 17 kW - 1.02 mm (0.040 in)

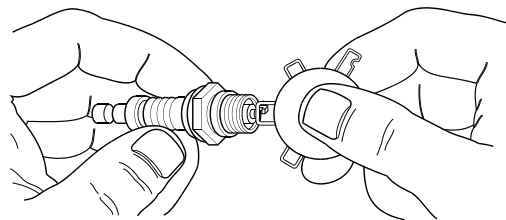


Figura 4-3: Ajuste de la separación del electrodo de bujía

4.6 — Ajuste de la luz de válvulas

Después de las primeras 25 horas de funcionamiento y luego cada 400 horas de intervalo, compruebe la luz de válvulas. Ajuste si es necesario.

Importante: Comuníquese con un concesionario para ayuda con el servicio. Este es un paso muy importante para asegurar una larga vida útil del motor.

Para comprobar la luz de válvulas:

- El motor debe estar frío antes de la comprobación. Si la luz de válvulas es 0.002 - 0.004 in (0.05 - 0.1 mm), no es necesario el ajuste.
- Retire los cables de las bujías y coloque los cables alejados de las bujías.
- Retire las bujías.
- Asegúrese de que el pistón esté en el punto muerto superior (PMS) de su carrera de compresión (ambas válvulas cerradas). Para llevar el pistón al PMS, retire la rejilla de admisión en la parte delantera del motor para ganar acceso a la tuerca del volante. Use un casquillo grande y una llave de casquillo para girar la tuerca, y por lo tanto el motor, en sentido horario. Entre tanto observe el pistón a través del orificio de la bujía. El pistón se debe mover hacia arriba y abajo. El pistón está en el PMS cuando está en el punto más alto de desplazamiento.

Para ajustar la luz de válvulas (vea la Figura 4-4):

- Asegúrese de que el motor esté entre 60 y 80 °F (16 a 27 °C).
- Asegúrese de que el cable de la bujía esté retirado de la bujía y fuera del paso.
- Retire los cuatro tornillos que fijan la cubierta de la válvula.
- Afloje la contratuerca del balancín. Usando una llave Allen de 10 mm (motor de 530 cm³) o una llave Allen de 13 mm (motores de 410 cm³, 990 cm³, y 999 cm³), gire el prisionero de bola pivote mientras comprueba la separación entre el balancín y el vástago de la válvula con un calibre de espesores plano. La luz de válvulas correcta es 0.002 - 0.004 in (0.05-0.1 mm).

NOTA: Sostenga la contratuerca del balancín en su lugar mientras se gira el prisionero de bola pivote.

- Cuando la luz de válvulas sea correcta, sostenga el prisionero de bola pivote en su lugar con la llave Allen y apriete la contratuerca del balancín. Ajuste la contratuerca con un par de apriete de 174 in-lb. (19.68 N-m). Luego de apretar la contratuerca, compruebe nuevamente la luz de válvulas para asegurarse que no cambió.
- Instale una junta de la cubierta de válvulas nueva.
- Vuelva a fijar la cubierta de válvulas.

NOTA: Inicie los cuatro tornillos antes de apretarlos o no será posible colocar todos los tornillos en su lugar. Asegúrese de que la junta de la cubierta de válvulas esté en su lugar.

- Instale las bujías.
- Vuelva a fijar el cable de la bujía en la bujía.
- Repita el proceso para el otro cilindro, si es necesario.

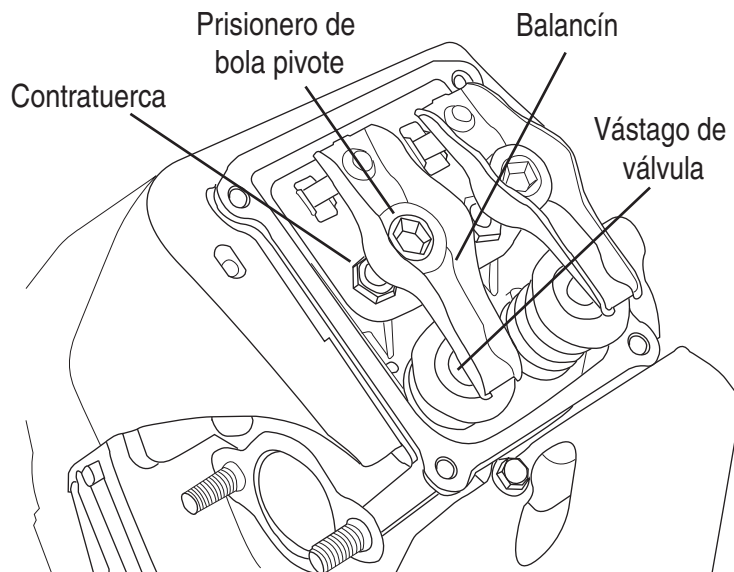


Figura 4-4: Ajuste de la luz de válvulas

4.7 — Mantenimiento de la batería

La batería se debe inspeccionar con regularidad según el Programa de mantenimiento:

1. Con el generador parado, levante la tapa y retire el panel delantero.
2. Inspeccione los bornes y cables de la batería para verificar el apriete y en busca de corrosión. Apriete y limpie como sea necesario.
3. Compruebe el nivel de fluido de la batería en las baterías no selladas y, de ser necesario, llene solo con agua destilada. NO use agua corriente. También haga que un concesionario o un técnico de servicio cualificado compruebe el estado de carga y condición.

⚠ ¡PELIGRO!



No deseche la batería mediante incineración. La batería puede explotar.



La batería representa un riesgo de choque eléctrico y corriente de cortocircuito alta. Observe estrictamente las precauciones siguientes cuando trabaje en las baterías:

- Retire el fusible de 7.5 A del tablero de control del generador.
- Quítese todas las alhajas: relojes, anillos, objetos metálicos, etc.
- Use herramientas con asas aisladas.
- Use guantes y botas de caucho.
- No coloque herramientas u objetos metálicos en la parte superior de la batería.
- Desconecte la fuente de carga antes de conectar o desconectar los terminales de la batería.

⚠ ¡ADVERTENCIA!



No abra o mutile la batería. Es sabido que el electrolito liberado es dañino para la piel y los ojos y que es tóxico. El electrolito es ácido sulfúrico diluido y es dañino para la piel y los ojos. Es conductor eléctrico y corrosivo. Observe estrictamente las precauciones siguientes:

- Use protección ocular completa y ropa protectora.
- Cuando el electrolito haga contacto con la piel, quítelo de inmediato por lavado con agua.
- Cuando el electrolito haga contacto con los ojos, lave meticulosa e inmediatamente con agua y busque atención médica.
- Elimine por lavado el electrolito derramado con la ayuda de un agente neutralizador. Una práctica común es usar una solución de 1 lb (500 g) de bicarbonato de sodio en 1 gal. (4 l) de agua. La solución de bicarbonato de sodio se debe añadir hasta que haya cesado la evidencia de reacción (espumación). El líquido resultante se debe lavar con agua y la zona debe ser secada.



Las baterías de plomo ácido presentan un riesgo de incendio porque generan hidrógeno gaseoso. Observe estrictamente las precauciones siguientes:

- NO fume cerca de la batería.
- NO produzca llamas o chispas en la zona de la batería.
- Descargue la electricidad estática del cuerpo antes de tocar la batería tocando primero una superficie metálica conectada a tierra.



Asegúrese de que el suministro del servicio público esté colocado en Off y que el fusible de 7.5 A esté retirado del tablero de control del generador, o se puede producir chisporroteo en los bornes de la batería cuando los cables sean conectados y provocar una explosión.

4.8 — Atención después de una inmersión

Si el generador ha sido sumergido en agua, NO SE DEBE poner en marcha y hacerlo funcionar. Después de una inmersión en agua, haga que un concesionario limpie, seque e inspeccione meticulosamente el generador. Si la estructura (vivienda) se ha inundado, debe ser inspeccionado por un electricista certificado para asegurar que no habrá ningún problema eléctrico durante el funcionamiento o cuando retorne el servicio público.

4.9 — Protección contra la corrosión

Lave y encere periódicamente el gabinete usando productos tipo para automóvil. Se recomienda el lavado frecuente en zonas de agua salada y costeras. Rocíe los varillajes del motor con un aceite liviano como el WD-40.

4.10 — Procedimiento de retiro del servicio

4.10.1 — Retiro del servicio

Si el generador no se puede ejercitar cada 7 días y estará fuera de servicio durante más de 90 días, prepare el generador para almacenamiento:

1. Arranque el motor y deje que se caliente.
2. Cierre la válvula de cierre de combustible en la tubería de suministro de combustible y deje que la unidad se pare.
3. Una vez que la unidad se haya parado, coloque el disyuntor principal del generador (interruptor de desconexión del generador) en su posición de OFF (ABIERTO).
4. Coloque en Off el suministro de alimentación del servicio público al interruptor de transferencia.
5. Retire el fusible de 7.5 A del tablero de control del generador.
6. Desconecte los cables de la batería. Retire primero el cable negativo.
7. Retire el cable de entrada de CA al cargador de baterías T1/neutro (tiene una camisa blanca) en el controlador.
8. Mientras el motor aún está caliente, vacíe completamente el aceite y luego llene el cárter con aceite.
9. Fije un rótulo en el motor que indique la viscosidad y clasificación del aceite nuevo en el cárter.
10. Retire la(s) bujía(s) y pulverice un agente protector de cilindros en la(s) abertura(s) roscada(s) de la(s) bujía(s). Vuelva a instalar y apretar la(s) bujía(s).

-
11. Retire la batería y almacénela en un cuarto fresco y seco sobre una tabla de madera. Nunca almacene la batería sobre un piso de concreto o tierra.
 12. Limpie y pase un trapo por todo el generador.

4.10.2 — Reintegro al servicio

Para reintegrar la unidad al servicio después del almacenamiento:

1. Verifique que la alimentación del servicio público esté en Off.
2. Compruebe en el rótulo del motor la viscosidad y clasificación del aceite. De ser necesario, vacíe y llene con aceite apropiado.
3. Compruebe el estado de la batería. Llene todas las celdas de las baterías no selladas con agua destilada hasta el nivel apropiado. NO use agua corriente. Recargue la batería hasta 100% de estado de carga. Si la batería es defectuosa, sustitúyala.
4. Limpie y pase un trapo por todo el generador.
5. Asegúrese de que el fusible de 7.5 A haya sido retirado del tablero de control del generador.
6. Vuelva a conectar la batería. Observe la polaridad de la batería. Pueden producirse daños si la batería se conecta incorrectamente. Instale primero el cable positivo.
7. Vuelva a conectar el cable de entrada de CA al cargador de baterías T1/neutro (tiene una camisa blanca) en el controlador.
8. Abra la válvula de cierre de combustible.
9. Inserte el fusible de 7.5 A en el tablero de control del generador.
10. Arranque la unidad pulsando el botón MANUAL. Permita que la unidad se caliente por algunos minutos.
11. Pare la unidad pulsando el botón OFF del tablero de control.
12. Conecte la alimentación del servicio público al interruptor de transferencia.
13. Coloque el tablero de control en AUTO (Automático).

El generador está listo para el servicio.

NOTA: Cuando la batería esté agotada o haya sido desconectada, se deben restablecer el temporizador de ejercitación y la fecha y hora actuales.

Problema	Causa	Corrección
El motor no efectúa giros de arranque.	<ol style="list-style-type: none"> 1. Fusible quemado. 2. Cables de batería sueltos, corroídos o defectuosos. 3. Contacto del arrancador defectuoso. 4. Contacto del arrancador defectuoso. 5. Batería agotada. 	<ol style="list-style-type: none"> 1. Corrija la condición de cortocircuito sustituyendo el fusible de 7.5 A en el tablero de control del generador. 2. Apriete, limpie o sustituya como sea necesario.* 3. *Vea el núm. 2. 4. *Vea el núm. 2. 5. Cargue o sustituya la batería.
El motor efectúa giros de arranque pero no arranca.	<ol style="list-style-type: none"> 1. Sin combustible. 2. Solenoide de combustible (FS) defectuoso. 3. Abra el cable núm. 14 de la tarjeta de control del motor. 4. Bujía(s) defectuosa(s). 5. Huelgo de válvulas fuera de ajuste. 	<ol style="list-style-type: none"> 1. Cargue combustible/abra la válvula de combustible. 2. * 3. Repare el cableado. 4. Limpie, ajuste la separación o sustituya la(s) bujía(s). 5. Vuelva a ajustar el huelgo de válvulas.
El motor arranca con dificultad y funciona en forma irregular.	<ol style="list-style-type: none"> 1. Depurador de aire obstruido o dañado. 2. Bujía(s) defectuosa(s). 3. Regulador de combustible no configurado. 4. Selector de combustible en posición errónea. 	<ol style="list-style-type: none"> 1. Revise o sustituya el depurador de aire. 2. Limpie, ajuste la separación o sustituya la(s) bujía(s). 3. Confirme que la presión de combustible al regulador sea 10-12 in de columna de agua (19-22 mm de mercurio) para LP, y 3,5-7 in de columna de agua (7-13 mm de mercurio) para gas natural. 4. Mueva el selector a la posición correcta.
El generador está en OFF, pero el motor sigue funcionando.	<ol style="list-style-type: none"> 1. Controlador cableado incorrectamente. 2. Tarjeta de control defectuosa. 	<ol style="list-style-type: none"> 1. Repare el cableado o sustituya el controlador. 2. *
No hay salida de CA del generador.	<ol style="list-style-type: none"> 1. El disyuntor principal de línea se encuentra en la posición OFF (o ABIERTO). 2. Fallo interno de generador. 	<ol style="list-style-type: none"> 1. Reconecte el disyuntor a ON (o CERRADO). 2. *
No hay transferencia a reserva luego del fallo del servicio público.	<ol style="list-style-type: none"> 1. El disyuntor principal de línea se encuentra en la posición OFF (o ABIERTO). 2. Bobina del interruptor de transferencia defectuosa. 3. Relé de transferencia defectuoso. 4. Circuito del relé de transferencia abierto. 5. Tarjeta de control lógica defectuosa 	<ol style="list-style-type: none"> 1. Reconecte el disyuntor en la posición de ON (o CERRADO). 2. * 3. * 4. * 5. *
La unidad consume grandes cantidades de aceite.	<ol style="list-style-type: none"> 1. Motor llenado excesivamente con aceite. 2. Respiradero del motor defectuoso. 3. Tipo o viscosidad del aceite incorrecto. 4. Junta, sello o manguera dañada. 	<ol style="list-style-type: none"> 1. Ajuste el aceite hasta el nivel correcto. 2. * 3. Vea "Recomendaciones sobre el aceite del motor". 4. Compruebe en busca de fugas de aceite.

* Comuníquese con un concesionario de servicio autorizado para obtener ayuda.

Esta página se ha dejado en blanco intencionalmente.

Problema	LED	Cosas a comprobar	Alarma activa	Solución
Unidad funcionando en AUTO pero no hay alimentación en la casa.	VERDE	Compruebe el MLCB.	NINGUNA	Compruebe el MLCB. Comuníquese con el concesionario de servicio si el MLCB está en la posición ON.
La unidad se para durante el funcionamiento.	ROJO	Compruebe los LED y la pantalla en busca de alarmas.	ALTA TEMPERATURA	Compruebe la ventilación alrededor de la admisión, el escape y la parte trasera del generador. Comuníquese con el concesionario de servicio si no se encuentran obstrucciones.
La unidad se para durante el funcionamiento.	ROJO	Compruebe los LED y la pantalla en busca de alarmas.	SOBRECARGA, RETIRAR LA CARGA	Borre la alarma y retire las cargas domésticas del generador. Vuelva a colocar en AUTO y vuelva a arrancar.
La unidad estaba funcionando, se para, e intenta volver a arrancar.	ROJO	Compruebe los LED y la pantalla en busca de alarmas.	PÉRDIDA DE DETECCIÓN DE RPM	Borre la alarma y retire las cargas domésticas del generador. Vuelva a colocar en AUTO y vuelva a arrancar. Si repite el problema, comuníquese con el concesionario de servicio para investigar un posible problema de combustible.
La unidad no arranca en AUTO con pérdida del servicio público.	NINGUNA	Vea si la pantalla indica que la unidad no está activada.	NO ACTIVADA	Consulte la sección sobre activación del manual del propietario.
La unidad no arranca en AUTO con pérdida del servicio público.	VERDE	Compruebe la pantalla en busca de la cuenta regresiva del retardo de arranque.	Ninguno	Si el retardo de arranque es mayor que lo esperado, comuníquese con el concesionario de servicio para ajustarlo entre 2 y 1500 segundos.
La unidad no arranca en AUTO con pérdida del servicio público.	ROJO	Compruebe los LED y la pantalla en busca de alarmas.	BAJA PRESIÓN DE ACEITE	Compruebe el nivel de aceite. Añada aceite según el manual del propietario. Comuníquese con el concesionario de servicio si el nivel de aceite es el correcto.
La unidad no arranca en AUTO con pérdida del servicio público.	ROJO	Compruebe los LED y la pantalla en busca de alarmas.	PÉRDIDA DE DETECCIÓN DE RPM	Borre la alarma. Del menú PRINCIPAL en el tablero de control, desplácese al MENÚ DE BATERÍA. Comuníquese con el concesionario de servicio si la batería se encuentra EN BUEN ESTADO. Sustituya la batería si se muestra COMPROBAR BATERÍA.
La unidad no arranca en AUTO con pérdida del servicio público.	ROJO	Compruebe los LED y la pantalla en busca de alarmas.	ARRANQUE FALLIDO	Compruebe que la válvula de cierre de la tubería de combustible esté en la posición ON. Borre la alarma. Intente arrancar la unidad en MANUAL. Si esto no la hace arrancar, o arranca y funciona con dificultad, comuníquese con el concesionario de servicio.
La unidad no arranca en AUTO con pérdida del servicio público.	ROJO	Compruebe los LED y la pantalla en busca de alarmas.	VOLTAJE BAJO, RETIRAR CARGA	Borre la alarma y retire las cargas domésticas del generador. Vuelva a colocar en AUTO y vuelva a arrancar.

Problema	LED	Cosas a comprobar	Alarma activa	Solución
La unidad no arranca en AUTO con pérdida del servicio público.	ROJO	Compruebe los LED y la pantalla en busca de alarmas.	PROBLEMA DE FUSIBLE	Compruebe el fusible tipo ATO de 7.5 A. Sustituya con un fusible del mismo tipo si no está en buen estado. Comuníquese con el concesionario de servicio si el fusible está en buen estado.
La unidad no arranca en AUTO con pérdida del servicio público.	ROJO	Compruebe los LED y la pantalla en busca de alarmas.	SOBREVELOCIDAD	Comuníquese con el concesionario de servicio.
La unidad no arranca en AUTO con pérdida del servicio público.	ROJO	Compruebe los LED y la pantalla en busca de alarmas.	BAJO VOLTAJE	Comuníquese con el concesionario de servicio.
La unidad no arranca en AUTO con pérdida del servicio público.	ROJO	Compruebe los LED y la pantalla en busca de alarmas.	BAJA VELOCIDAD	Comuníquese con el concesionario de servicio.
La unidad no arranca en AUTO con pérdida del servicio público.	ROJO	Compruebe los LED y la pantalla en busca de alarmas.	SOBRECORRIENTE DE MOTOR PASO A PASO	Comuníquese con el concesionario de servicio.
La unidad no arranca en AUTO con pérdida del servicio público.	ROJO	Compruebe los LED y la pantalla en busca de alarmas.	CABLEADO INCORRECTO	Comuníquese con el concesionario de servicio.
La unidad no arranca en AUTO con pérdida del servicio público.	ROJO	Compruebe los LED y la pantalla en busca de alarmas.	SOBREVOLTAJE	Comuníquese con el concesionario de servicio.
El LED amarillo se enciende en cualquier estado.	AMARILLO	Compruebe la pantalla en busca de información adicional.	CARGA BAJA DE BATERÍA	Borre la alarma. Del menú PRINCIPAL en el tablero de control, desplácese al MENÚ DE BATERÍA. Comuníquese con el concesionario de servicio si la batería se encuentra EN BUEN ESTADO. Sustituya la batería si se muestra COMPROBAR BATERÍA.
El LED amarillo se enciende en cualquier estado.	AMARILLO	Compruebe la pantalla en busca de información adicional.	PROBLEMA DE BATERÍA	Comuníquese con el concesionario de servicio.
El LED amarillo se enciende en cualquier estado.	AMARILLO	Compruebe la pantalla en busca de información adicional.	ADVERTENCIA DEL CARGADOR	Comuníquese con el concesionario de servicio
El LED amarillo se enciende en cualquier estado.	AMARILLO	Compruebe la pantalla en busca de información adicional.	SERVICIO A	Efectúe el programa de mantenimiento de SERVICIO A. Pulse ENTER para borrar.
El LED amarillo se enciende en cualquier estado.	AMARILLO	Compruebe la pantalla en busca de información adicional.	SERVICIO B	Efectúe el programa de mantenimiento de SERVICIO B. Pulse ENTER para borrar.
El LED amarillo se enciende en cualquier estado.	AMARILLO	Compruebe la pantalla en busca de información adicional.	Inspección de la batería	Inspeccione la batería; pulse ENTER para borrar.

Núm. 0J9943SPFR Rev. F 30/05/2014
Impreso en EE .UU.
© Generac Power Systems, Inc. Todos los derechos reservados
Las especificaciones están sujetas a cambios sin aviso.
No se permite la reproducción bajo ninguna forma sin previo consentimiento escrito de Generac Power Systems, Inc.

GENERAC®

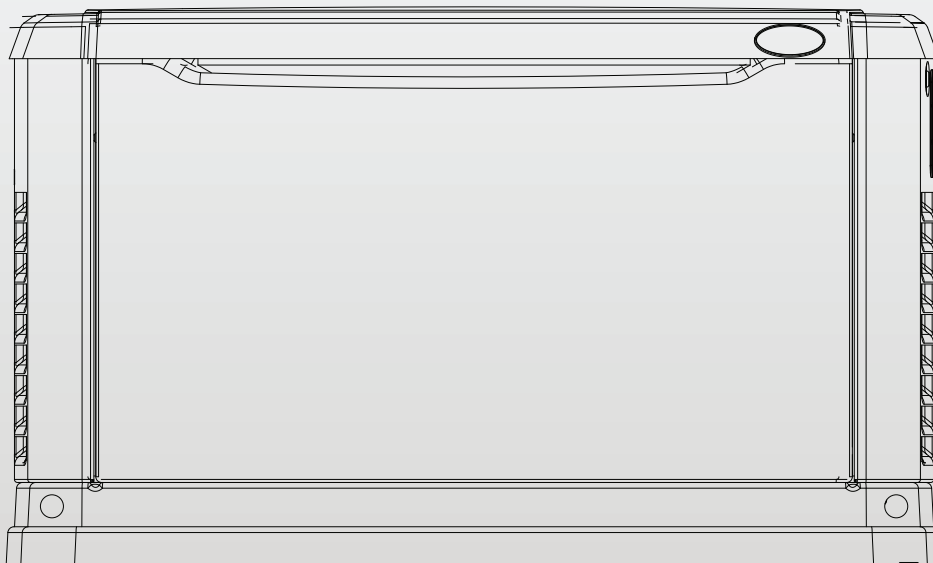


Generac Power Systems, Inc.
S45 W29290 Hwy. 59
Waukesha, WI 53189, EE. UU.
1-888-GENERAC (1-888-436-3722)
generac.com

Manuel du propriétaire

GENERAC®

Générateur de secours automatique



Modèle résidentiel de secours
8 kW à 20 kW

⚠ DANGER!

- ⚠ NON DESTINÉE POUR LES APPLICATIONS DE MAINTIEN DES FONCTIONS VITALES CRITIQUES.
- ⚠ SEULS DES ÉLECTRICIENS OU DES ENTREPRENEURS QUALIFIÉS DOIVENT INSTALLER CET APPAREIL.
- ⚠ GAZ D'ÉCHAPPEMENT MORTELS! INSTALLER À L'EXTÉRIEUR SEULEMENT!

Consultez toute la documentation appropriée.
Ce manuel doit rester avec l'appareil.

UL US
RÉPERTORIÉ

Utilisez cette page pour enregistrer des informations importantes au sujet de votre générateur.

MODEL	<input type="text"/>
SERIAL	<input type="text"/>
VOLTS	<input type="text"/>
AMPS	<input type="text"/>

1 PH, 60 Hz, RPM 3600
RAINPROOF ENCLOSURE FITTED
CLASS H INSULATION
RATED AMBIENT TEMP – 25°C
FOR STANDBY SERVICE
NEUTRAL FLOATING
MAX LOAD UNBALANCE – 50%

WHITEWATER, WIS
MADE IN U.S.A.

Prenez note des informations relevées sur la plaque signalétique de votre appareil sur cette page. Pour connaître l'emplacement de la plaque signalétique de votre appareil, consultez la Section 2 Informations générales. L'appareil comporte une plaque signalétique fixée au panneau intérieur à gauche de la console du tableau de commande, comme indiqué sur les figures 2-1, 2-2 et 2-3. Pour des instructions sur la façon d'ouvrir le couvercle supérieur et de retirer le panneau avant, consultez la section 3 Fonctionnement. La plaque signalétique de l'appareil fournit les informations suivantes :

- Numéro de modèle
- Numéro de série
- Numéro de pièce du Tableau de commande
- Tension nominale de l'appareil
- Courant nominal maximal de l'appareil (en ampères)

Lorsque vous communiquez avec un fournisseur de services d'entretien agréé pour des pièces ou une réparation, informez-le toujours du numéro de modèle et du numéro de série de l'appareil.

Fonctionnement et entretien : En effectuant l'entretien et en apportant les soins appropriés au générateur, vous réduisez les problèmes et les coûts d'utilisation. L'opérateur a la responsabilité d'effectuer toutes les vérifications de sécurité, de s'assurer que tout l'entretien permettant une utilisation sécuritaire est effectué rapidement, et de faire vérifier l'équipement périodiquement par un fournisseur de services d'entretien agréé. L'entretien normal, la réparation et le remplacement des pièces sont la responsabilité du propriétaire ou de l'opérateur et, à ce titre, ne sont pas considérés comme des défauts de matériaux ou de fabrication en vertu des conditions de la garantie. Les habitudes de fonctionnement et les méthodes d'utilisation individuelles peuvent faire en sorte qu'il soit nécessaire d'effectuer un entretien ou des réparations supplémentaires.

Lorsque le générateur requiert un entretien ou une réparation, veuillez communiquer avec un fournisseur de services d'entretien agréé pour de l'assistance. Les techniciens en entretien et en réparation agréés sont formés en usine et peuvent répondre à tous les besoins en matière d'entretien et de réparation.

Pour trouver votre FOURNISSEUR DE SERVICES D'ENTRETIEN AGRÉÉ

EMPLACEMENT DE FOURNISSEUR DE SERVICES D'ENTRETIEN ET DE RÉPARATION AGRÉÉ

Pour trouver le FOURNISSEUR DE SERVICES D'ENTRETIEN AGRÉÉ le plus près, veuillez appeler ce numéro :

1-800-333-1322

ou visitez le localisateur de fournisseur à l'adresse :

www.generac.com/Service/DealerLocator/

AVERTISSEMENT!

Proposition 65 de l'État de la Californie

L'échappement du moteur et certains de ses composants sont reconnus par l'État de la Californie comme pouvant causer le cancer, des anomalies congénitales ou d'autres problèmes de reproduction.

AVERTISSEMENT!

Proposition 65 de l'État de la Californie

Ce produit contient ou émet des produits chimiques reconnus par l'État de la Californie comme pouvant causer le cancer, des anomalies congénitales ou d'autres problèmes de reproduction.

Table des matières

Section 1 — Sécurité	1
1.1 — Sécurité générale	2
1.2 — Risques de sécurité généraux	2
1.3 — Risques relatifs aux émissions	3
1.4 — Risques électriques	3
1.5 — Risques d'incendie	3
1.6 — Risques d'explosion	3
Section 2 — Informations générales	5
2.1 — Le générateur	5
2.2 — Systèmes de protection	6
2.3 — Informations relatives aux émissions	7
2.4 — Caractéristiques techniques	8
2.5 — Accessoires	9
Section 3 — Fonctionnement	11
3.1 — Interface du tableau de commande	11
3.2 — Utilisation des touches Auto/Arrêt/Manuel	12
3.3 — Affichages du menu de l'interface	12
3.4 — Opération de transfert automatique	14
3.5 — Fermeture du générateur avec charge	15
3.6 — Opération de transfert manuel	15
3.7 — Compartiment latéral	16
3.8 — Procédures d'intervention en cas d'alarme	17
3.9 — Chargeur de batterie	17
3.10 — Programmer la minuterie d'exercice	17
Section 4 — Entretien	19
4.1 — Effectuer l'entretien périodique	19
4.2 — Calendrier d'entretien	19
4.3 — Vérifier le niveau d'huile du moteur	20
4.4 — Remplacer le filtre à air du moteur	22
4.5 — Bougies d'allumage	22
4.6 — Réglage du jeu des soupapes	23
4.7 — Entretien de la batterie	24
4.8 — Précautions après une immersion	25
4.9 — Protection contre la corrosion	25
4.10 — Procédure de mise hors service (inclut le retrait de service et la réinstallation)	25
Section 5 — Dépannage	27
Section 6 — Guide de référence rapide	29

Comprend également l'espagnol, le français canadien et le portugais.

Page laissée en blanc intentionnellement.

INTRODUCTION : Nous vous remercions d'avoir acheté ce générateur automatique de secours stationnaire compact, haute performance, refroidi par air, entraîné par moteur. Tous les efforts ont été déployés afin que les informations et les instructions contenues dans ce manuel soient à la fois exactes et à jour au moment où ce manuel a été écrit. Toutefois, le fabricant se réserve le droit de changer, de modifier ou d'améliorer ce produit ou ce manuel à tout moment et sans préavis.

Ce générateur a été conçu de manière à fournir automatiquement la puissance électrique permettant de faire fonctionner des charges critiques lors d'une panne de courant du réseau public. Cet appareil est installé en usine dans une enceinte de métal tous temps et **est exclusivement destiné à une installation extérieure**. Ce générateur fonctionne en utilisant soit du propane liquide (PL) ou du gaz naturel (GN) soutiré d'un réservoir de stockage sous forme vapeur.

REMARQUE : Lorsque sa taille est bien adaptée, ce générateur permet d'alimenter des charges résidentielles typiques telles que les moteurs à induction (pompes de puisard, réfrigérateurs, climatiseurs, fours, etc.), les composants électroniques (ordinateur, moniteur, téléviseur, etc.), les charges d'éclairage et les micro-ondes.

LISEZ CE MANUEL AU COMPLET : l'opérateur est responsable de faire une utilisation appropriée et sécuritaire de cet équipement. Le fabricant recommande vivement à l'opérateur de lire et de bien comprendre les instructions et le contenu de ce manuel du propriétaire avant d'utiliser l'équipement. Si vous ne comprenez pas une partie du manuel, veuillez communiquer avec le fournisseur de services d'entretien agréé le plus près afin de vous faire expliquer les procédures de démarrage, d'utilisation et d'entretien.

CONSERVEZ CES INSTRUCTIONS : pour un fonctionnement en toute sécurité, le fabricant suggère de copier et d'afficher ce manuel et les règles à proximité du site d'installation de l'appareil. L'importance de la sécurité doit être soulignée à tous les opérateurs actuels et éventuels de cet équipement.

SÉCURITÉ : des encarts DANGER, AVERTISSEMENT, MISE EN GARDE et REMARQUE apparaissent ponctuellement dans cette publication ainsi que sur les étiquettes et autocollants fixés à l'appareil pour attirer l'attention du personnel sur des consignes propres à certaines opérations pouvant présenter des risques si elles sont réalisées de manière incorrecte ou inattentive. Veuillez les respecter attentivement. Voici leur définition :

▲ DANGER!

INDIQUE UNE SITUATION OU UNE ACTION DANGEREUSE QUI, SI ELLE N'EST PAS ÉVITÉE, ENTRAÎNERA LA MORT OU DES BLESSURES GRAVES.

▲ AVERTISSEMENT!

Indique une situation ou une action dangereuse qui, si elle n'est pas évitée, pourrait entraîner la mort ou des blessures graves.

▲ MISE EN GARDE!

Indique une situation dangereuse qui, si elle n'est pas évitée, pourrait entraîner des blessures légères ou moyennement graves.

REMARQUE : les notes contiennent des informations complémentaires importantes pour une opération ou une procédure.

Quatre symboles de sécurité communément utilisés accompagnent les encarts DANGER, AVERTISSEMENT et MISE EN GARDE. Voici les informations indiquées par chacun de ceux-ci :



Ce symbole fournit des informations de sécurité importantes qui, si elles ne sont pas suivies, pourraient mettre en danger la sécurité des personnes ou les biens d'autrui.



Ce symbole indique un risque potentiel d'explosion.



Ce symbole indique un risque potentiel d'incendie.



Ce symbole indique un risque potentiel de décharge électrique.






Ces « Alertes de sécurité » ne peuvent pas éliminer les dangers qu'elles signalent. Les principales mesures de prévention des accidents sont le respect rigoureux de ces instructions spéciales, ainsi que le bon sens.

1.1 — Sécurité générale

Étudiez ces règles de sécurité avant toute utilisation ou tout entretien de cet équipement. Se familiariser avec ce manuel du propriétaire et avec l'appareil. Le générateur peut être utilisé de manière sécuritaire, efficace et fiable seulement s'il est installé, utilisé et entretenu correctement. De nombreux accidents sont causés par le non-respect des règles ou des précautions simples et fondamentales.

Le fabricant ne peut pas anticiper toutes les circonstances possibles pouvant être source de danger. Les avertissements de ce manuel, ainsi que ceux qui se trouvent sur les étiquettes et les autocollants fixés sur l'appareil ne préviennent pas tous les risques. Si vous utilisez une procédure, une méthode de travail ou une technique d'utilisation n'étant pas spécifiquement recommandée par le fabricant, veuillez vous assurer de sa sécurité pour le personnel. Assurez-vous également que la procédure, la méthode de travail ou la technique d'utilisation ne fait pas en sorte que le générateur devienne non sécuritaire.

⚠ DANGER!

-  **En dépit de la conception sécuritaire de ce générateur, le fait d'utiliser cet équipement de façon imprudente, de négliger son entretien ou d'être inattentif peut causer des blessures ou la mort. Ne permettez qu'aux personnes responsables et compétentes d'installer, d'utiliser et d'entretenir cet équipement.**
-  **Ces machines génèrent des tensions potentiellement mortelles. Veillez à ce que des mesures soient prises pour rendre la machine sécuritaire avant de tenter de travailler sur le générateur.**
-  **Certaines parties du générateur sont en rotation ou deviennent chaudes pendant l'utilisation. Faites preuve de prudence à proximité d'un générateur en marche.**
-  **L'installation de ce générateur doit toujours respecter les codes, les normes, les lois et les règlements en vigueur.**
-  **Un générateur en marche dégage du monoxyde de carbone MORTEL, un gaz inodore, incolore et toxique. L'inhalation de monoxyde de carbone peut causer des étourdissements, des battements aux tempes, des nausées, des spasmes musculaires, des maux de tête, des vomissements, de la faiblesse, de la somnolence, une incapacité de penser clairement, des évanouissements, la perte de conscience, voire la mort.**

⚠ MISE EN GARDE!

-  **Le tableau de commande de cet appareil est destiné à être utilisé par un personnel qualifié.**

1.2 — Risques de sécurité généraux

- Pour des raisons de sécurité, cet équipement ne doit être installé, entretenu et réparé que par un fournisseur de services d'entretien agréé, ou un électricien ou un technicien d'installation compétent et qualifié, qui est familiarisé avec les codes, les normes, les règlements et les lignes directrices du manuel d'installation de cet appareil. L'opérateur doit également se conformer à tous les codes, les normes, les règlements et les lignes directrices du manuel d'installation de cet appareil.
- Les gaz d'échappement du moteur contiennent du monoxyde de carbone, un gaz qui peut être MORTEL. Ce gaz dangereux, s'il est respiré à des concentrations suffisantes, peut provoquer une perte de conscience ou même la mort. Ne modifiez PAS et n'ajoutez RIEN au système d'échappement et ne faites rien qui puisse rendre le système dangereux ou non conforme aux codes et aux normes en vigueur.
- Installez une alarme de monoxyde de carbone à l'intérieur, selon les instructions et recommandations du fabricant.
- Un flux continu d'air de refroidissement et de ventilation adéquat est essentiel pour une utilisation correcte du générateur. Ne modifiez pas l'installation et ne permettez pas le blocage, même partiel, des dispositifs de ventilation, car cela pourrait sérieusement nuire au bon fonctionnement du générateur. Le générateur DOIT être installé et utilisé à l'extérieur seulement.
- Garder les mains, les pieds, les vêtements, etc., loin des courroies d'entraînement, des ventilateurs et d'autres pièces mobiles ou chaudes. Ne retirez jamais la courroie d'entraînement ou la grille de protection du ventilateur lorsque l'appareil fonctionne.
- Restez vigilant en tout temps pendant l'entretien ou la réparation de cet appareil. Ne travaillez jamais sur l'équipement en cas de fatigue physique ou mentale.
- Inspectez régulièrement le générateur et communiquez avec le fournisseur de services d'entretien le plus proche pour les pièces nécessitant une réparation ou un remplacement.
- Avant d'effectuer tout entretien sur le générateur, retirez le fusible du tableau de commande et débranchez la borne négative (-) de la batterie pour éviter un démarrage accidentel. Lorsque vous débranchez les câbles de batterie, retirez toujours le câble NÉGATIF (NEG ou « - ») en premier, puis retirez le câble POSITIF (POS ou « + »). Lorsque vous rebranchez les câbles, branchez le câble POSITIF en premier et le câble NÉGATIF en dernier.
- N'utilisez jamais le générateur ni aucune de ses parties en guise de marchepied. Mettre un pied sur l'appareil peut exercer une contrainte sur les pièces et les briser et peut entraîner des conditions d'utilisation dangereuses en raison de fuites de gaz d'échappement, de carburant, d'huile, etc.

1.3 — Risques relatifs aux gaz d'échappement

- L'échappement du moteur du générateur contient du monoxyde de carbone MORTEL, un gaz inodore, incolore et toxique. L'inhalation de monoxyde de carbone peut causer des étourdissements, des battements aux tempes, des nausées, des spasmes musculaires, des maux de tête, des vomissements, de la faiblesse, de la somnolence, une incapacité de penser clairement, des évanouissements, la perte de conscience, voire la mort. En cas de symptôme d'intoxication au monoxyde de carbone, déplacez la personne à l'air frais et consultez immédiatement un médecin.
- Ce générateur est conçu pour une installation EXTÉRIEURE SEULEMENT. Ne faites jamais fonctionner le générateur dans un garage ou tout autre espace clos.

1.4 — Risques de décharge électrique

- Tous les générateurs couverts par ce manuel produisent des tensions électriques dangereuses qui peuvent causer une décharge électrique fatale. L'alimentation du réseau public transporte des tensions extrêmement élevées et dangereuses au commutateur de transfert, tout comme le générateur de secours quand il est utilisé. Évitez tout contact avec les fils dénudés, les bornes, les connexions, etc. lorsque l'appareil est en marche. Assurez-vous que tous les couvercles, les protections et les barrières appropriés sont en place, fixés ou verrouillés avant d'utiliser le générateur. Au moment de travailler près d'un appareil en marche, se tenir debout sur une surface sèche et isolée afin de réduire les risques d'électrocution.
- Ne jamais toucher un appareil électrique lorsque vous êtes debout sur un sol mouillé, pieds nus ou lorsque vos mains ou vos pieds sont humides. UNE DÉCHARGE ÉLECTRIQUE DANGEREUSE PEUT SE PRODUIRE.
- Cet appareil est un générateur de secours automatique, le générateur peut se lancer et démarrer à tout moment lorsque le réseau public tombe en panne. Lorsque cela se produit, les circuits de charge sont transférés à la source d'alimentation (générateur) DE SECOURS. Pour éviter d'éventuelles blessures, mettez toujours le générateur sur la position OFF (ARRÊT) et retirez le fusible de 7,5 A du tableau de commande du générateur avant de travailler sur ce générateur pour effectuer une inspection, une réparation ou un entretien.
- En cas d'accident causé par une décharge électrique, coupez immédiatement la source d'énergie électrique. Si cela n'est pas possible, essayer de libérer la victime du conducteur sous tension. ÉVITEZ TOUT CONTACT DIRECT AVEC LA VICTIME. Utilisez un outil non conducteur, tel qu'une planche ou une corde sèche, pour libérer la victime du conducteur sous tension. Si la victime est inconsciente, administrez-lui les premiers soins et obtenez de l'aide médicale immédiatement.
- Ne portez jamais de bijoux pour travailler sur cet appareil. Les bijoux peuvent conduire l'électricité et causer une décharge électrique, ou être happés par les pièces en mouvement et causer des lésions.

1.5 — Risques d'incendie

- Pour la sécurité incendie, le générateur doit être installé et entretenu correctement. L'installation DOIT toujours être conforme aux codes, normes, lois et règlements en vigueur, ainsi qu'aux lignes directrices du manuel d'installation de cet appareil. Se conformer strictement aux codes électriques et de construction locaux, provinciaux et nationaux. Conformez-vous aux règlements de l'OSHA (Occupational Safety and Health Administration). Assurez-vous également que le générateur est installé conformément aux instructions et aux recommandations du fabricant. Après une installation correcte, ne faites rien qui pourrait modifier une installation sécuritaire et rendre l'appareil non conforme aux codes, normes, lois et règlements mentionnés ci-dessus.
- Gardez un extincteur près du générateur en tout temps. Les extincteurs classés « ABC » par la National Fire Protection Association sont appropriés pour une utilisation sur le générateur de secours. Gardez l'extincteur correctement chargé et soyez familiarisé avec son utilisation. Consultez le service d'incendie local pour toute question relative aux extincteurs.

1.6 — Risques d'explosion

- Ne fumez pas près du générateur. Essayez immédiatement tout déversement de carburant ou d'huile. Assurez-vous qu'aucun matériau combustible n'est laissé dans le compartiment du générateur ou à proximité du générateur puisque cela présente un risque d'INCENDIE et d'EXPLOSION. Gardez la zone entourant le générateur propre et exempte de débris.
- Les fluides gazeux comme le gaz naturel et le propane liquide (PL) sont extrêmement EXPLOSIFS. Installez le système d'alimentation en carburant conformément aux codes relatifs aux gaz combustibles. Avant que le système électrique de secours résidentiel soit mis en service, les conduites du circuit de carburant doivent être correctement purgées et soumises à des essais d'étanchéité conformément au code en vigueur. Après l'installation, inspectez le circuit de carburant régulièrement pour vous assurer qu'il ne fuit pas. Il ne doit jamais y avoir de fuite.

⚠ AVERTISSEMENT!



Si ce générateur est utilisé pour alimenter les circuits de charge électrique normalement alimentés par le réseau public, les codes exigent qu'un commutateur de transfert soit installé. Le commutateur de transfert doit isoler de manière efficace le circuit électrique du réseau public de distribution lorsque le générateur est utilisé (article 702 du code national de l'électricité américain (NEC)). Le fait de ne pas isoler un système électrique à l'aide de tels moyens se traduira par des dommages au générateur et peut également entraîner des blessures ou la mort de travailleurs du réseau public en raison du retour de l'énergie électrique.

2.1 — Le générateur

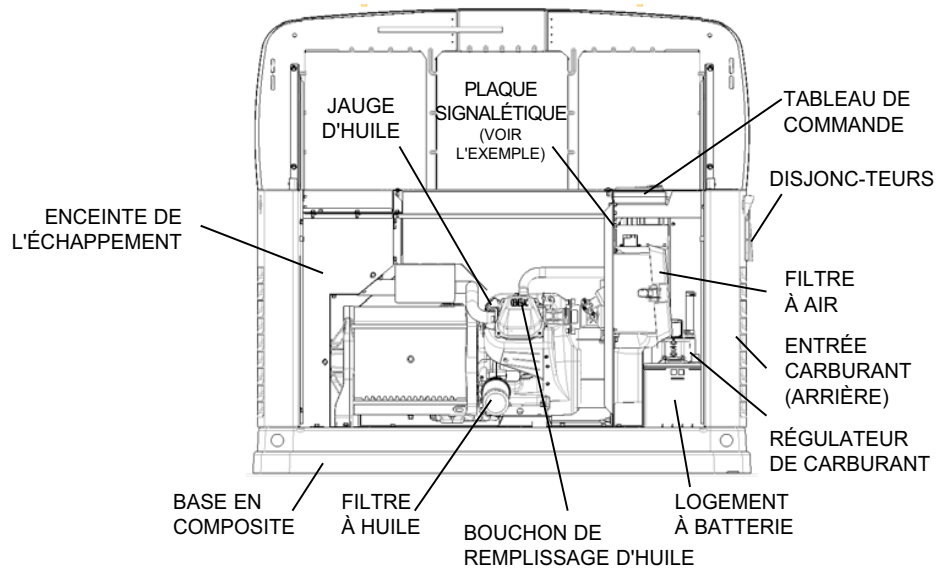


Figure 2-1 : Moteur GH-410, appareil de 8 kW

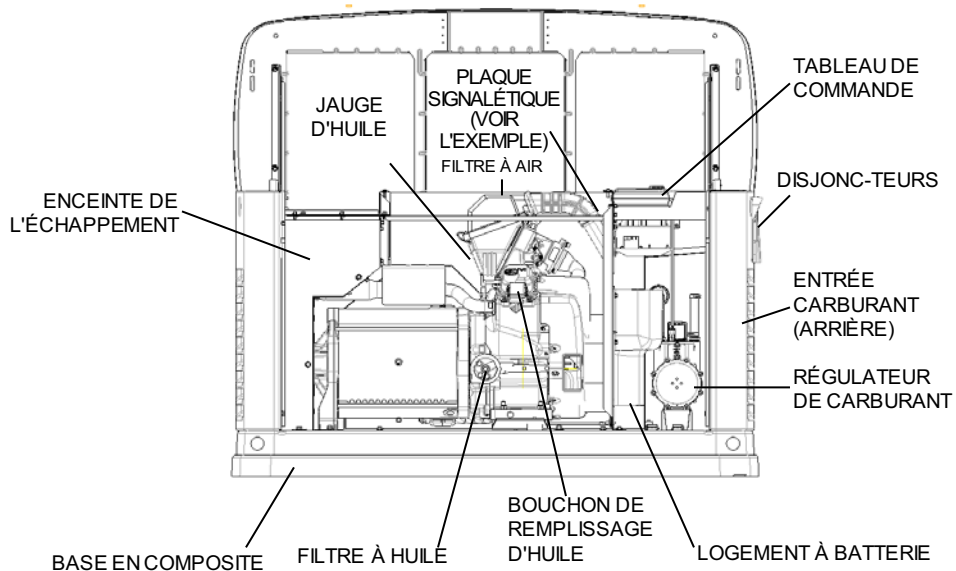


Figure 2-2 : Moteur GH-530, appareil de 11 kW

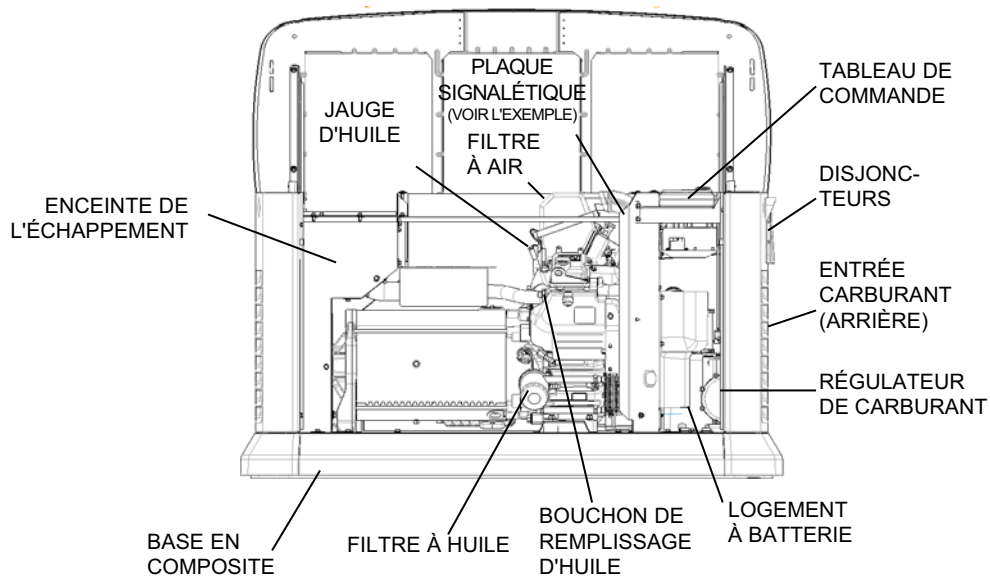


Figure 2-3 : Moteurs GT-990/GT-999, appareils de 13 à 20 kW

2.2 — Systèmes de protection

Le générateur peut devoir fonctionner pendant de longues périodes de temps sans la présence d'un opérateur pour surveiller l'état du moteur et du générateur. Pour cette raison, le générateur est équipé de différents systèmes pour fermer l'appareil automatiquement et le protéger contre des conditions potentiellement dommageables. Voici certains de ces systèmes :

- Capteur de pression d'huile basse
- Capteur de température élevée
- Capteur d'emballement
- Capteur de survitesse
- Capteur de régime du moteur
- Capteur de sous-fréquence
- Capteur de sous-tension
- Capteur de surtension
- Capteur de défaillance interne
- Alarme de basse tension de batterie

Le tableau de commande comporte un écran qui prévient l'opérateur lorsqu'une défaillance se produit. La liste ci-dessus n'est pas exhaustive. Pour plus d'informations sur les alarmes et le fonctionnement du tableau de commande, voir la Section 3 Fonctionnement.

2.3 — Informations relatives aux émissions

L'agence de protection de l'environnement des États-Unis (Environmental Protection Agency, ou EPA) exige que ce générateur soit conforme aux normes relatives aux émissions. Ce générateur est certifié conforme aux niveaux d'émissions EPA et est certifié pour une utilisation en tant que moteur stationnaire pour la production d'électricité de secours. Toute autre utilisation peut constituer une violation des lois fédérales ou locales. Pour s'assurer que le moteur est conforme aux normes d'émissions applicables pendant toute la durée de vie du moteur, il est important de suivre les recommandations d'entretien de la Section 4 Entretien. Ce générateur est certifié pour fonctionner avec du carburant de propane liquide à l'état gazeux ou du gaz naturel par pipeline.

Pour les générateurs de 13 kW et plus, le code du système antipollution est EM (Engine Modification, ou « Modification moteur »). Le système antipollution installé sur ce générateur est constitué des composants suivants :

- Système d'induction d'air
 - Tuyau d'adduction / Collecteur
 - Filtre à air
- Système de dosage du carburant
 - Ensemble carburateur / mélangeur
 - Régulateur de carburant
- Système d'allumage
 - Bougie
 - Module d'allumage
- Système d'échappement
 - Collecteur d'échappement
 - Silencieux
 - Catalyseur (générateur de 11 kW uniquement)

2.4 — Caractéristiques techniques

2.4.1 — Générateur

Modèle	8 kW	11 kW	13 kW	14 kW	15 kW	16 kW	17 kW	20 kW
Tension nominale	240							
Courant de charge maximal (A) à 240 volts (gaz propane liquide)*	33.3	45.8	54.2	58.3	62.5	66.6	70.8	83.3
Disjoncteur principal	35 A	50 A	55 A	60 A	60 A	65 A	65 A	100 A
Phase	1							
Fréquence c.a. nominale	60 Hz							
Exigences relatives à la batterie	Groupe 26R, 12 volts et 525 ADF minimum (partie Generac no 0H3421S)							
Poids (appareil seulement en lb/kilos)	360/163.3	407/184.6	435/197.3	435/197.3	471/213.6	471/213.6	Acier - 471/213,6 Aluminium - 437/198,2	451/204.6
Boîtier	Acier	Acier	Acier	Acier	Acier	Acier	Acier/ Aluminium	Aluminium
Plage de fonctionnement normal	Cet appareil a été soumis à des essais conformément aux normes UL 2200 pour une température de fonctionnement de -29 °C (-20 °F) à 50 °C (122 °F). Une trousse et de l'huile synthétique pour températures froides est nécessaire pour les zones où la température descend en dessous de 0 °C (32 °F). Lorsqu'il est utilisé à plus de 25 °C (77 °F), il peut y avoir une diminution de la puissance du moteur. Veuillez consulter la section indiquant les caractéristiques techniques du moteur.							
Ces générateurs sont classés selon la norme UL 2200 relativement à la sécurité aux générateurs à moteur stationnaire, et la norme CSA-C22.2 n° 100-04 pour moteurs et générateurs. * Les valeurs nominales pour le gaz naturel dépendent de la teneur en BTU/joules du carburant. Les régimes réduits typiques sont entre 10 et 20 % de la valeur nominale du gaz propane liquide. ** Les circuits à déplacer doivent être protégés par un disjoncteur de même valeur. Par exemple, si le circuit est de 15 ampères dans le panneau principal, le circuit dans le commutateur de transfert doit être de 15 ampères.								

2.4.2 — Moteur

Modèle	8 kW	11 kW	13/14/15/16/17 kW	20 kW
Type de moteur	GH-410	GT-530	GT-990	GT-999
Nombre de cylindres	1	2	2	2
Cylindrée	410 cm ³	530 cm ³	992 cm ³	999 cm ³
Bloc-cylindres	Aluminium avec chemise en fonte			
Bougie d'allumage recommandée	RC14YC	BPR6HS	RC14YC	RC12YC
Écartement de la bougie	0,76 mm (0,030 po)	0,76 mm (0,030 po)	1,02 mm (0,040 po)	0,76 mm (0,030 po)
Démarréur	12 VCC			
Capacité d'huile incluant le filtre	Approx. 1,5 pte/1,4 l	Approx. 1,7 pte/1,6 l	Approx. 1,9 pte/1,8 l	Approx. 1,9 pte/1,8 l
Filtre à huile recommandé	Pièce no 070185E			
Filtre à air recommandé	Pièce no 0E9371A	Pièce no 0E9371A	Pièce no 0J8478	Pièce no 0J8478
La puissance du moteur est assujettie et limitée par certains facteurs, tels que la teneur en BTU/joules du carburant, la température ambiante et l'altitude. La puissance du moteur diminue d'environ 3,5 pour cent pour chaque 1 000 pieds (304,8 mètres) au-dessus du niveau de la mer, et diminuera aussi d'environ 1 pour cent pour chaque 6 °C (10 °F) au-dessus d'une température ambiante de 15 °C (60 °F).				

La fiche signalétique pour votre générateur accompagnait la documentation fournie avec l'appareil au moment de l'achat. Pour obtenir des exemplaires supplémentaires de la fiche signalétique spécifique à votre modèle de générateur, veuillez communiquer avec votre fournisseur de services d'entretien agréé.

2.4.3 — Besoins en carburant

Le moteur est équipé d'un système de bicarburation. L'appareil fonctionnera au gaz naturel ou au gaz propane liquide (vapeur), mais il a été réglé en usine pour fonctionner au gaz naturel. Le système de carburant sera configuré en fonction de la source de carburant disponible lors de l'installation.

Les carburants recommandés doivent avoir une teneur en BTU d'au moins 1 000 BTU par pied cube (37,26 mégajoules par mètre cube) pour le gaz naturel, ou d'au moins 2 500 BTU par pied cube (93,15 mégajoules par mètre cube) pour le gaz propane liquide (vapeur).

REMARQUE : Pour une conversion du gaz naturel au gaz propane liquide, une capacité de réservoir de gaz propane liquide minimum de 250 gallons (946 litres) est recommandée. Consultez le manuel d'installation pour les procédures complètes et tous les détails.

⚠ DANGER!



Les carburants gazeux tels que le gaz naturel et le gaz propane liquide sont hautement explosifs. Même la moindre étincelle peut enflammer ces carburants et provoquer une explosion. Il ne doit jamais y avoir de fuite de carburant. Le gaz naturel, qui est plus léger que l'air, a tendance à s'accumuler dans les zones élevées. Le gaz propane liquide est plus lourd que l'air et a tendance à s'accumuler dans les zones basses.

2.4.4 — Exigences relatives à la batterie

Groupe 26R, 12 V, 525 ADF minimum (partie Generac no 0H3421S).

Pour consulter les procédures d'entretien de la batterie, voir Section 4 Entretien.

2.4.5 — Chargeur de batterie

Pour tous les modèles de l'appareil, le chargeur de batterie est intégré au tableau de commande. Il fonctionne comme un « chargeur intelligent » qui veille à ce que les niveaux de sortie de charge soient sûrs et continuellement optimisés afin de maximiser la durée de vie de la batterie.

2.4.6 — Besoins en huile de moteur

Pour connaître l'indice de viscosité d'huile approprié, consultez le tableau dans Figure 4-1 : Huile recommandée en fonction de la température.

2.5 — Accessoires

Des accessoires améliorant la performance sont offerts pour les générateurs refroidis par air.

Accessoire	Description
Trousse pour températures froides	Requis dans les zones où les températures tombent régulièrement en dessous de 0 °C (32 °F).
Trousse d'entretien régulier	Comprend toutes les pièces nécessaires pour effectuer l'entretien du générateur ainsi que les recommandations pour l'huile.
Verrou de commutateur de transfert auxiliaire	Permet à l'un des commutateurs de transfert de prendre en charge complètement une charge électrique importante en l'asservissant à son système de commande.
Panneau de la couverture de protection	De série sur tous les appareils de 20 kW. Offert pour tous les autres appareils de production de courant refroidis par air. Se fixe à l'aide d'un mécanisme à pression pour une apparence lisse et profilée et protège l'appareil des rongeurs et des insectes.
Mobile LinkMC	Fournit un portail Web personnalisé qui affiche l'état du générateur, le calendrier d'entretien, l'historique des événements et bien plus encore. Ce portail est accessible via un ordinateur, une tablette ou un téléphone intelligent. Envoie des courriels ou des messages textes dès qu'il y a un changement dans l'état du générateur. Les paramètres de notification peuvent être personnalisés pour définir le type d'alerte à envoyer et sa fréquence. Pour plus de détails, visitez le site www.standbystatus.com .
Trousse de retouches de peinture	Très importante afin de maintenir l'apparence et l'intégrité de l'enceinte du générateur. Cette trousse comprend de la peinture et les instructions pour les retouches.

Veuillez communiquer avec un fournisseur de services d'entretien et de réparation pour plus d'informations sur les accessoires.

Page laissée en blanc intentionnellement.

Section 3

Fonctionnement

3.1 — Interface du tableau de commande



Le tableau de commande de cet appareil est destiné à être utilisé uniquement par un personnel qualifié.

L'interface du tableau de commande est située sous le couvercle de l'enceinte. Avant d'essayer de soulever le couvercle de l'enceinte, vérifiez que les verrous latéraux gauche et droit sont déverrouillés. Pour retirer le couvercle avant, soulevez le couvercle vers le haut pour dégager les crochets latéraux, puis inclinez-le et soulevez-le de l'appareil.

Au moment de refermer l'appareil, assurez-vous que les verrous latéraux gauche et droit sont bien verrouillés. Voir Figure 3-1.



Les clés fournies avec cet appareil doivent être utilisées par le personnel d'entretien uniquement.

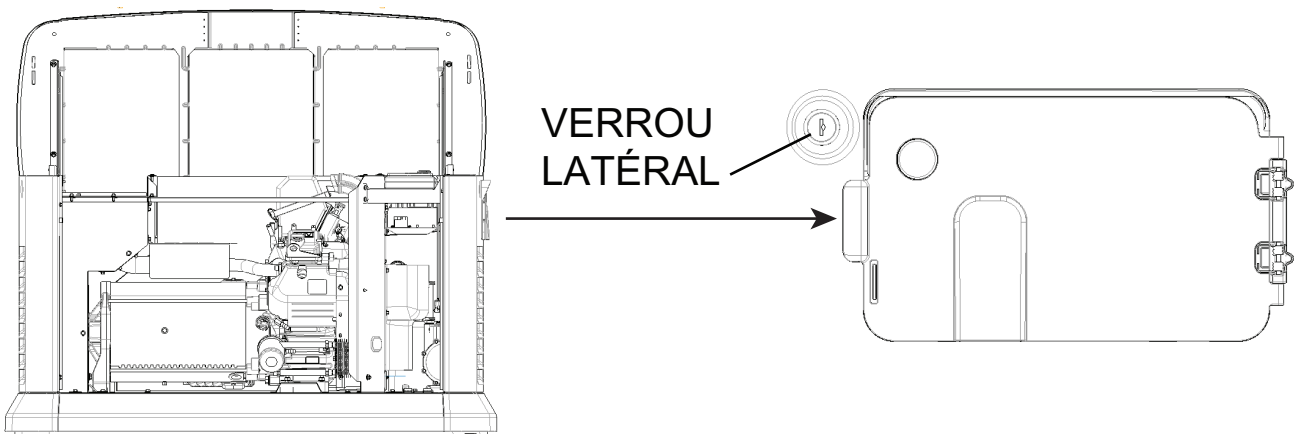


Figure 3-1 : Générateur avec couvercle ouvert et emplacement du verrou latéral

⚠ AVERTISSEMENT!



S'il est réglé sur AUTO, le moteur peut se lancer et démarrer à tout moment sans avertissement. Un tel démarrage automatique se produit lorsque la tension de la source d'alimentation du réseau public baisse en deçà d'un niveau prédéterminé ou pendant le cycle d'exercice normal. Afin d'éviter toute blessure qui pourrait être causée par de tels démarrages soudains, réglez toujours le moteur sur ARRÊT et retirez les fusibles avant de travailler sur ou autour du générateur ou du commutateur de transfert. Ensuite, placez une étiquette « NE PAS FAIRE FONCTIONNER » sur le tableau du générateur et sur le commutateur de transfert.

REMARQUE : Le générateur ne doit fonctionner que lorsque tous les panneaux sont en place, y compris lors du dépannage effectué par un technicien.

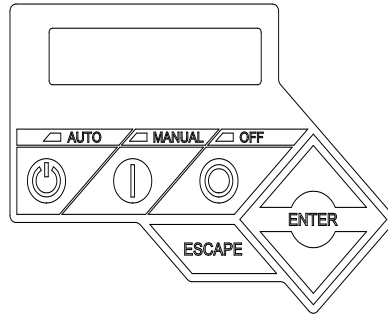


Figure 3-2 : Tableau de commande du générateur

3.2 — Utilisation des touches Auto/Arrêt/Manuel

Touche	Description du fonctionnement
Auto	Sélectionner cette position permet le fonctionnement entièrement automatique du système. Cela permet aussi à l'appareil de démarrer automatiquement et d'effectuer un cycle d'exercice du moteur tous les sept jours à l'aide du réglage de la minuterie d'exercice (voir la section Réglage de la minuterie d'exercice).
Arrêt	Cette touche arrête le moteur et empêche également fonctionnement automatique de l'appareil.
Manuel	Cette touche permet de lancer et de démarrer le générateur. Le transfert à l'alimentation de secours ne se produira pas à moins d'une panne du réseau public de distribution d'électricité.

REMARQUE : Les dommages causés par un mauvais câblage des fils d'interconnexion ne sont pas couverts par la garantie.

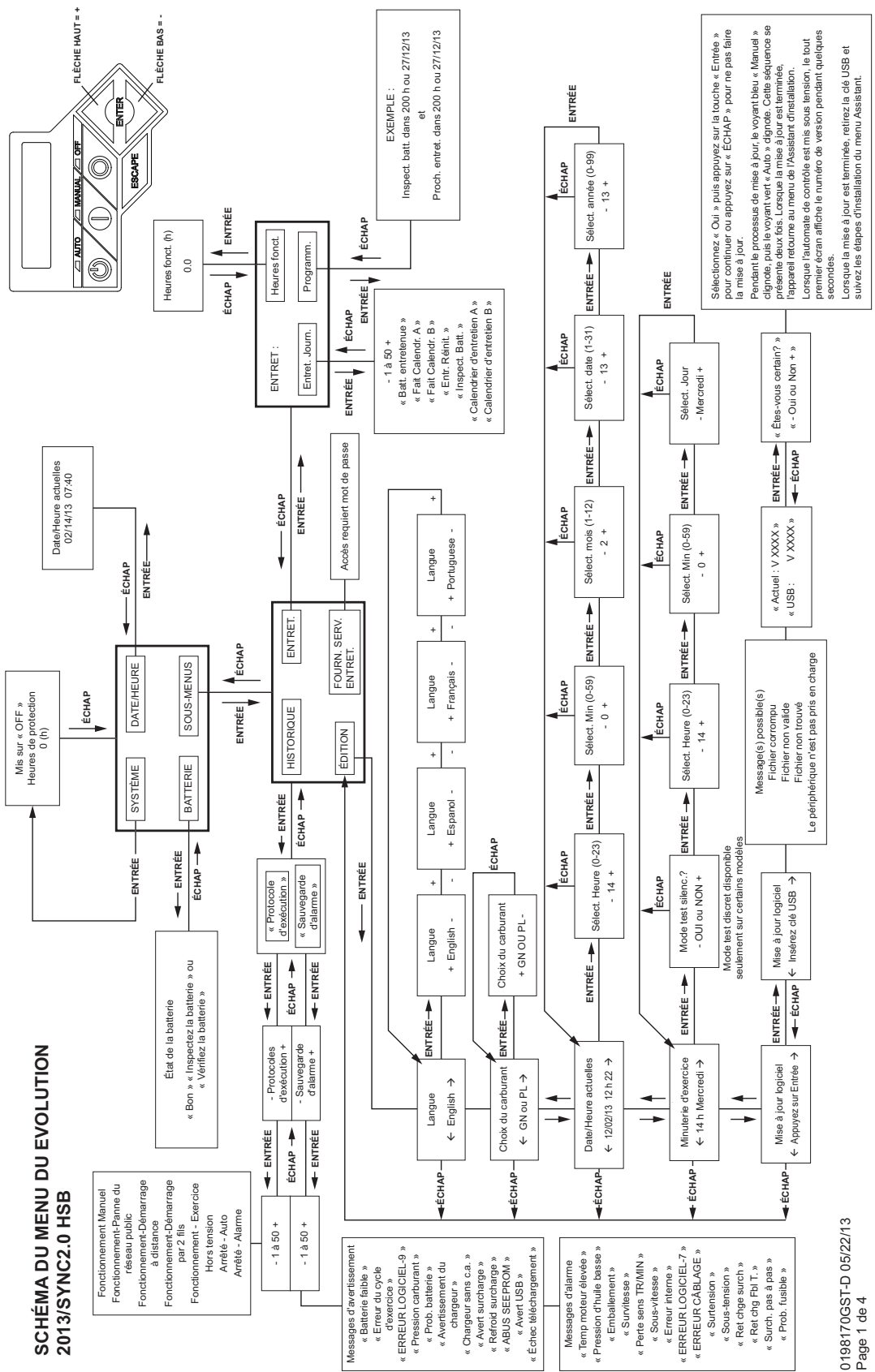
3.3 — Affichages du menu de l'interface

L'afficheur à cristaux liquides :

Fonctionnalité	Description
Page ACCUEIL	C'est la page qui sera affichée par défaut si aucune touche n'est actionnée pendant 60 secondes. Cette page affiche normalement le message d'état actuel ainsi que la date et l'heure actuelles. L'alarme ou l'avertissement actif ayant la plus haute priorité sera automatiquement affiché sur cette page et le rétroéclairage clignotera quand une telle condition est détectée. S'il y a plusieurs alarmes ou avertissements, seul le premier message est affiché. Pour effacer une alarme ou un avertissement, appuyez sur le bouton OFF (ARRÊT), puis sur la touche ENTRÉE.
Rétroéclairage de l'afficheur	Normalement éteint. Si l'opérateur appuie sur n'importe quelle touche, le rétroéclairage s'allume automatiquement et reste allumé pendant 30 secondes.
Page MENU PRINCIPAL	Permet à l'opérateur d'accéder à toutes les autres pages ou sous-menus à l'aide des flèches et de la touche Entrée. Cette page peut être consultée à tout moment en appuyant plusieurs fois sur la touche Échap dédiée. Chaque fois que l'opérateur appuie sur la touche Échap, il est ramené au menu précédent un écran à la fois jusqu'à l'écran MENU PRINCIPAL. Cette page contient des informations pour : Historique; État; Édition; Débogage.

3.3.1— Navigation du menu du système

Pour accéder au MENU, utilisez la touche « Échap » sur n'importe quelle page. Vous pourriez devoir appuyer plusieurs fois avant d'arriver à la page MENU. Naviguez jusqu'au menu désiré à l'aide des touches ↑/↓. Lorsque le menu souhaité est affiché et clignote, appuyez sur la touche « Entrée ». Voir Figure 3-3.



0198170GST-D 05/22/13
Page 1 de 4

Figure 3-3 : Menu de navigation

3.4 — Opération de transfert automatique

Pour sélectionner l'opération de transfert automatique :

1. Assurez-vous que les contacts du commutateur de transfert principal sont réglés sur la position RÉSEAU PUBLIC (charges connectées à la source d'alimentation du réseau public).
2. Assurez-vous que la tension de l'alimentation du RÉSEAU PUBLIC normale est disponible aux cosses N1 et N2 du commutateur de transfert.
3. Appuyez sur la touche AUTO de l'Interface du tableau de commande.
4. Réglez le disjoncteur principal (déconnexion du générateur) sur la position MARCHE (FERMÉ).

Une fois que vous aurez effectué toutes ces étapes, le générateur démarrera automatiquement lorsque la tension fournie par la source d'alimentation du réseau public baisse en deçà d'un niveau prédéfini. Après le démarrage de l'appareil, les charges sont transférées à la source d'alimentation de secours.

3.4.1— Séquence de l'opération de transfert automatique

3.4.1.1 — Panne du réseau public

Alors que le générateur est réglé sur AUTO, lorsque le réseau public tombe en panne (en deçà de 65 % de la valeur nominale) un compteur de temps d'interruption de ligne de 10 secondes (option programmable) est lancé. Si le réseau public est toujours en panne lorsque le compteur expire, le moteur tourne et démarre. Une fois que le moteur a démarré, un compteur de temps de préchauffage de 5 secondes est lancé. Lorsque temps de préchauffage expire, l'automate de contrôle transférera la charge vers le générateur. Si l'alimentation du réseau public est rétablie (au-delà de 75 % de la valeur nominale) à un moment donné depuis le début du démarrage du moteur jusqu'à ce que le générateur soit prêt à accepter la charge (le temps de préchauffage de 5 secondes ne s'est pas écoulé), l'automate de contrôle terminera le cycle de démarrage et exécutera le cycle normal de refroidissement du générateur, et la charge sera maintenue sur la source du réseau public.

3.4.1.2 — Lancement du moteur

Le système contrôlera le lancement cyclique comme suit :

- Appareil de 8 kW - 5 cycles de lancement, comme suit : Lancement de 15 secondes, sept (7) secondes de pause, suivi par quatre (4) cycles supplémentaires de lancement de sept (7) secondes, et des pauses de sept (7) secondes.
- Appareils de 11 à 20 kW - 5 cycles de lancement, comme suit : Lancement de 16 secondes, sept (7) secondes de pause, autre lancement de 16 secondes, sept (7) secondes de pause, suivi par trois (3) cycles supplémentaires de lancement de sept (7) secondes, et des pauses de sept (7) secondes.

3.4.1.3 — Transfert de la charge

Le transfert de la charge lorsque le générateur fonctionne dépend du mode de fonctionnement :

MANUEL	<ul style="list-style-type: none">• Ne transfère pas la charge au générateur si le réseau public fonctionne.• Transfère la charge au générateur si le réseau public est en panne (en deçà de 65 % de la valeur nominale pendant 10 secondes consécutives).• Transfère la charge du générateur au réseau public lorsque le réseau public revient plus de 15 secondes consécutives. Le moteur continue à fonctionner jusqu'à ce que le mode MANUEL soit changé pour un autre mode.
AUTO	<ul style="list-style-type: none">• Démarre et se met à fonctionner si le réseau public est en panne pour plus de 10 secondes consécutives (réglage par défaut à l'usine).• Démarre un compteur de temps de préchauffage de 5 secondes.<ul style="list-style-type: none">• Ne transfère pas la charge si le réseau public revient par la suite.• Transfère la charge au générateur si le réseau public est en panne.• Transfère la charge du générateur au réseau public lorsque le réseau public revient plus de 15 secondes consécutives (au-delà de 75 % de la valeur nominale).• Ne transfère pas la charge au réseau public à moins que le réseau public revienne. Le générateur s'arrête si la touche ARRÊT est actionnée ou si une alarme d'arrêt est déclenchée.• Une fois que le courant du réseau public est rétabli, le générateur s'éteint après 1 minute de temps de refroidissement.
EXERCICE	<ul style="list-style-type: none">• L'exercice n'aura pas lieu si le générateur fonctionne déjà en mode AUTO ou MANUEL.• Pendant l'exercice, l'automate de contrôle n'effectuera le transfert que si le réseau public tombe en panne pendant 10 secondes au cours de l'exercice et se mettra alors en mode AUTO.

3.5 — Fermeture du générateur avec charge

REMARQUE : Important! Pour éteindre le générateur pendant des pannes prolongées afin d'effectuer un entretien ou de conserver du carburant, suivez les étapes suivantes (elles sont simples, mais importantes) :

Pour éteindre le générateur (pendant qu'il tourne en mode AUTO et alimenté en marche) :

1. Mettez sur OFF (ARRÊT) ou OUVERT l'interrupteur général du réseau public.
2. Mettez sur OFF (ARRÊT) ou OUVERT le disjoncteur de la ligne principale (DLP) sur le générateur.
3. Mettez le générateur sur OFF (ARRÊT).

Pour remettre le générateur sur ON (MARCHE) :

1. Remettez le générateur sur le mode AUTO et laissez-le démarrer et chauffer pendant quelques minutes.
2. Mettez sur ON (MARCHE) ou FERMÉ le DLP du générateur.

Le système fonctionnera en mode automatique. L'interrupteur général du réseau public peut être mis sur ON (MARCHE) ou FERMÉ, mais pour éteindre l'appareil, le processus complet doit être répété.

3.6 — Opération de transfert manuel

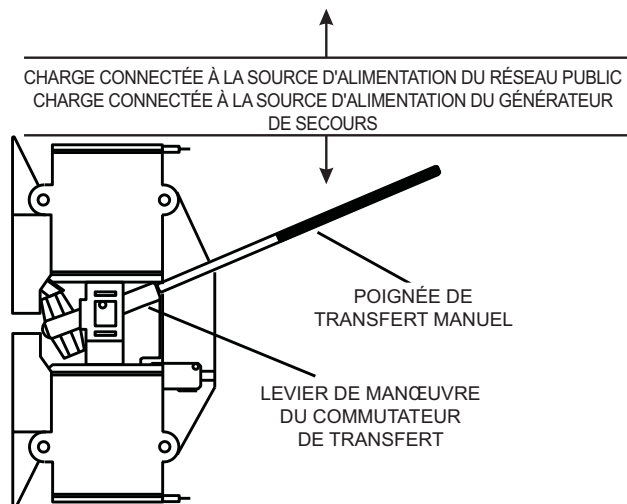
⚠ DANGER!



N'ESSAYEZ PAS d'actionner le commutateur de transfert manuellement avant que toutes les sources de tension d'alimentation au commutateur aient été complètement coupées. Le fait de ne pas éteindre toutes les sources de tension d'alimentation peut entraîner une décharge électrique extrêmement dangereuse, voire mortelle.

Avant la mise en fonctionnement automatique, pressez manuellement le commutateur de transfert pour vérifier qu'il n'y a pas d'interférence avec le fonctionnement approprié du mécanisme. Le fonctionnement manuel du commutateur de transfert est nécessaire au cas où le dispositif électronique serait en panne.

3.6.1— Transfert à la source d'alimentation du générateur



1. Appuyez sur la touche OFF (ARRÊT) du tableau de commande.
2. Réglez le disjoncteur principal (déconnexion du générateur) sur la position ARRÊT (OUVERT).
3. Coupez l'alimentation du réseau public au commutateur de transfert à l'aide des moyens prévus (tel qu'un disjoncteur principal de réseau public).
4. Utilisez la poignée de transfert manuel à l'intérieur du commutateur de transfert pour déplacer les contacts principaux à leur position DE SECOURS (charges connectées à la source d'alimentation de secours).
5. Pour lancer et démarrer le moteur, appuyez sur la touche MANUAL (MANUEL) du tableau de commande.
6. Laissez le moteur se stabiliser et préchauffer pendant quelques minutes.
7. Réglez le disjoncteur principal (déconnexion du générateur) sur la position MARCHE (FERMÉ). Les charges sont maintenant alimentées par la source d'alimentation de secours.

Figure 3-4 : Fonctionnement du commutateur de transfert manuel

3.6.2— Transfert de retour des charges au réseau public

Lorsque le courant du réseau public est rétabli, transférez les charges au réseau public et arrêtez le générateur. Pour transférer manuellement au réseau public et arrêter le générateur :

1. Réglez le disjoncteur principal (déconnexion du générateur) sur la position ARRÊT (OUVERT).
2. Laissez le moteur tourner pendant 2 minutes sans charge pour stabiliser les températures internes.
3. Appuyez sur la touche OFF (ARRÊT) du tableau de commande. Le moteur devrait s'arrêter.
4. Assurez-vous que l'alimentation du réseau public au commutateur de transfert est coupée.
5. Utilisez la poignée de transfert manuel à l'intérieur du commutateur de transfert pour remettre les contacts principaux à leur position RÉSEAU PUBLIC (charges connectées au réseau public).
6. Mettez sous tension l'alimentation du réseau public au commutateur de transfert à l'aide des moyens prévus.
7. Appuyez sur la touche AUTO du tableau de commande.

3.7 — Compartiment latéral

Les codes locaux peuvent exiger que ce compartiment soit verrouillé. Un morillon est fourni pour permettre au propriétaire ou à l'opérateur de verrouiller le compartiment avec son propre cadenas. Vérifiez les codes locaux pour connaître les exigences concernant le verrouillage du compartiment latéral.

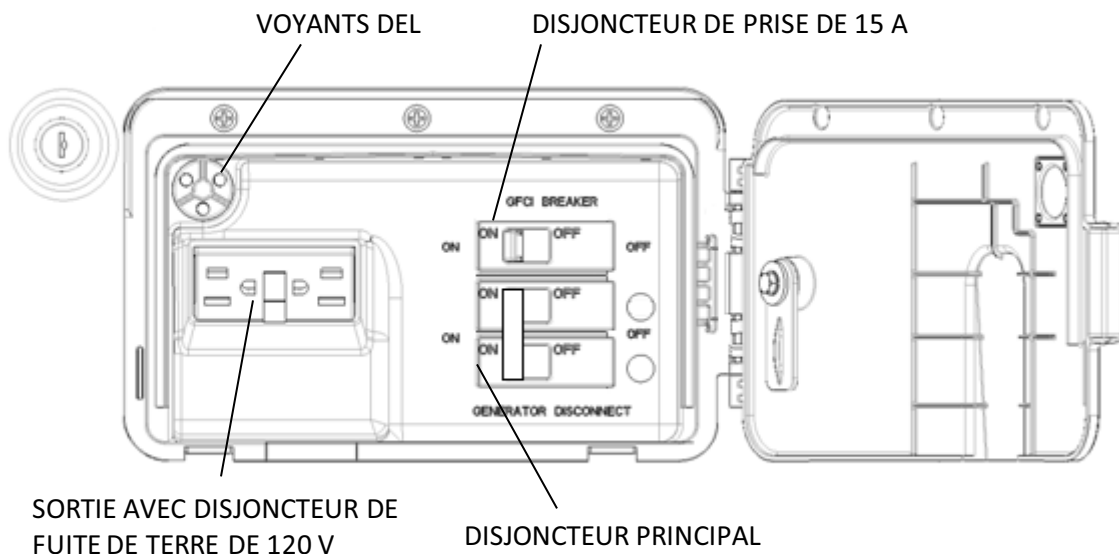


Figure 3-5 : Compartiment latéral ouvert

3.7.1— Disjoncteur principal (déconnexion du générateur)

Il s'agit d'un disjoncteur à 2 pôles dont les valeurs nominales correspondent aux caractéristiques techniques de l'appareil.

3.7.2— Voyants DEL

- Le voyant DEL vert « Ready » (Prêt) est allumé lorsque le réseau public fonctionne et que la touche du tableau de commande est sur la position AUTO. Cela indique également lorsque le générateur est en marche.
- Le voyant DEL rouge « Alarm » (Alarme) est allumé lorsque le générateur est éteint ou qu'un problème a été détecté et vous indique de communiquer avec votre fournisseur de services d'entretien.
- Le voyant DEL jaune « Entretien ». Remarque : le voyant DEL jaune peut être allumé en même temps que les voyants DEL rouge ou vert.

3.7.3— Prise de 120 V/15 A avec disjoncteur de fuite de terre (appareils de 17 et de 20 kW uniquement)

Tous les appareils sont équipés d'une prise de service de 120 volts, 15 A avec disjoncteur de fuite de terre située dans le coin supérieur du compartiment.

Lorsque le générateur est en marche, en l'absence d'alimentation du réseau public, cette prise peut également être utilisée pour alimenter des appareils à l'extérieur de la résidence, tels que des lumières et des outils électriques. Cette prise peut également être utilisée lorsque l'alimentation du réseau public est sous tension en faisant fonctionner le générateur en mode manuel.

Cette prise ne fournit pas de puissance si le générateur ne fonctionne pas. N'utilisez pas cette prise lorsque le générateur est en mode Exercice. Cette prise est protégée par un disjoncteur de 15 A dans le compartiment latéral.

3.8 — Procédures d'intervention en cas d'alarme

Le générateur est protégé par une série de capteurs qui détectent une condition d'alarme ou d'avertissement et avertir le propriétaire ou l'opérateur de l'état sur l'afficheur du tableau de commande. Le générateur s'arrête lorsque certaines conditions d'alarme sont détectées.

Les conditions d'alarme ou d'avertissement peuvent comprendre (cette liste n'est pas exhaustive) :

- Pression d'huile basse
- Température du moteur élevée
- Batterie faible
- Sous-tension
- Erreur du cycle d'exercice

REMARQUE : À défaut d'avoir reçu une formation adéquate sur la façon d'effacer et de corriger les conditions d'alarme, communiquez avec votre fournisseur de services d'entretien agréé ou un technicien qualifié.

3.9 — Chargeur de batterie

REMARQUE : Pour tous les modèles de l'appareil, le chargeur de batterie est intégré au module de commande.

Le chargeur de batterie fonctionne comme un « chargeur intelligent » qui assure :

- Que la sortie est continuellement optimisée afin de promouvoir la vie maximale de la batterie.
- Que les niveaux de charge sont sécuritaires.

REMARQUE : Qu'un avertissement est affiché à l'écran ACL lorsque la batterie a besoin d'un entretien.

3.10 — Réglage de la minuterie d'exercice

Ce générateur est muni d'une minuterie d'exercice. Une fois qu'elle est réglée, le générateur démarrera et exécutera un cycle d'exercice tous les sept jours, le jour de la semaine et à l'heure de la journée précisée. Au cours de cette période d'exercice, l'appareil fonctionne pendant environ 12 minutes et s'arrête ensuite. Les charges ne sont pas transférées à la sortie du générateur au cours du cycle d'exercice à moins d'une panne du réseau public.

Les réglages d'exercice peuvent être modifiés en tout temps dans le menu EDIT.

Si la batterie de 12 volts est débranchée ou si le fusible est retiré, l'Assistant d'installation se mettra en marche lorsque le courant sera rétabli. La seule différence est que l'afficheur demandera seulement au client de saisir l'heure et la date actuelles.

L'exerciceur ne fonctionnera qu'en mode AUTO et ne fonctionnera pas à moins que cette procédure soit exécuté. La date et l'heure actuelles doivent être réglées de nouveau chaque fois que la batterie de 12 volts est débranchée puis rebranchée ou lorsque le fusible est retiré.

Page laissée en blanc intentionnellement.

Section 4

Entretien

REMARQUE : Un bon entretien et un fonctionnement correct et sûr sont essentiels à la durée de vie du générateur. Des pièces d'origine Generac DOIVENT être utilisées pour assurer la couverture de la garantie.

REMARQUE : Puisque la plupart des alertes d'entretien auront lieu en même temps (la plupart sont à deux ans d'intervalle), une seule alerte apparaît sur l'afficheur du tableau de commande à un moment donné. Une fois que la première alerte est effacée, la prochaine alerte active s'affiche.



Toutes les tâches d'entretien sur ce générateur doivent être effectuées par un technicien qualifié uniquement.

4.1 — Effectuer l'entretien régulier

Pour un fonctionnement approprié du générateur, il est important d'effectuer l'entretien tel que spécifié dans le Calendrier d'entretien et de veiller à ce que le générateur soit conforme aux normes d'émission applicables pour la durée de sa vie utile. L'entretien et les réparations peuvent être effectués par toute personne qualifiée ou par un atelier de réparation. En outre, les tâches d'entretien critiques en matière d'émissions doivent être effectuées comme prévu pour que la garantie couvrant les émissions demeure valide. Les tâches d'entretien critiques en matière d'émissions consistent à faire l'entretien du filtre à air et des bougies, conformément au Calendrier d'entretien. L'automate de contrôle demandera d'effectuer l'entretien selon le calendrier A ou le calendrier B. L'entretien du calendrier A comprend l'huile, le filtre à huile et la mise au point. L'entretien du calendrier B comprend l'huile, le filtre à huile, la mise au point, le filtre à air, les bougies et le jeu des soupapes.

4.2 — Calendrier d'entretien

ATTENTION : Toutes les tâches d'entretien doivent être effectuées par un technicien qualifié uniquement.

Composant du système	Procédure			Fréquence
	Inspecter	Remplacer	Nettoyer	
X = Mesure R = Remplacer au besoin * = Aviser le fournisseur de services d'entretien si une réparation est nécessaire				H = Hebdomadairement M = Mensuellement A = Annuellement
Carburant				
Conduites et raccords de carburant*	X			M
Lubrification				
Niveau d'huile	X			M ou après 24 heures de fonctionnement continu
Huile		X		2A ou après 200 heures de fonctionnement**
Filtre à huile		X		2A ou après 200 heures de fonctionnement**
Refroidissement				
Fentes de l'enceinte	X		X	B
Batterie				
Enlevez la corrosion, vérifiez que tout est sec	X		X	Y
Nettoyez et serrez les bornes de la batterie	X		X	Y
Vérifiez l'état de charge	X	X		Y
Niveau d'électrolyte (batteries non scellées seulement)*	X	X		Chaque 6 M
Moteur et montage				
Filtre à air	X	X		400 heures
Bougie(s)	X	X		400 heures
Jeu des soupapes	X			500 heures***
État général				
Vibration, Bruit, Fuite*	X			M
Mise au point complète*	À effectuer par un fournisseur de services d'entretien			2A ou après 200 heures

* Veuillez contacter le fournisseur de services d'entretien et de réparation le plus proche pour une assistance si nécessaire.

** Changez l'huile et le filtre après les 25 premières heures de fonctionnement. Continuez à faire la vérification à des intervalles de 200 heures ou aux 2 ans, selon la première éventualité. Intervalles de vidange d'huile pour une utilisation rigoureuse : Dans des conditions de température froide (température ambiante de 4,4 °C/40 °F), changez l'huile du moteur et le filtre chaque année ou toutes les 100 heures de fonctionnement pour prévenir l'accumulation d'eau dans l'huile. Si vous prévoyez d'utiliser l'appareil de façon continue dans des températures chaudes (température ambiante de 29,4 °C/85 °F) ou dans un environnement très sale ou poussiéreux, changez l'huile du moteur et le filtre chaque année ou toutes les 100 heures de fonctionnement pour éviter la dégradation de l'huile.

*** Vérifiez le jeu des soupapes après les 25 premières heures de fonctionnement. Continuez à faire la vérification à des intervalles de 400 heures.

4.2.1— Journal d'entretien

1. Inspection de la batterie et vérification de la charge (recommandées chaque année pour la durée de vie de la batterie)
REMARQUE : Vérifiez le niveau d'électrolyte (batteries non scellées seulement) tous les 6 mois.

Dates d'exécution :

2. Remplacement de l'huile, du filtre à huile et du filtre à air (recommandé après les 25 premières heures suivant l'installation puis toutes les 200 heures ou aux 2 ans, selon la première éventualité) REMARQUE : Remplacement de la bougie (recommandé tous les 4 ans ou 400 heures, selon la première éventualité).

Dates d'exécution :

3. Réglage de la soupape (recommandé après les 25 premières heures de fonctionnement, puis toutes les 400 heures de fonctionnement)

Dates d'exécution :

4.3 — Vérifier le niveau d'huile du moteur

Le niveau d'huile doit être contrôlé quotidiennement lorsqu'il est nécessaire de faire fonctionner le générateur pendant de longues périodes en raison de pannes d'électricité. Pour vérifier le niveau d'huile du moteur :

1. Si le générateur fonctionne pendant une panne du réseau public de distribution d'électricité, commencez par mettre HORS TENSION tous les appareils de la résidence par l'interrupteur principal du panneau électrique. Mettez ensuite le disjoncteur du circuit principal du générateur sur la position OFF (ARRÊT).
2. Appuyez sur la touche OFF (ARRÊT) du tableau de commande. Attendez 5 minutes.
3. Retirez la jauge et essuyez-la avec un chiffon propre.
4. Insérez complètement la jauge et retirez-la de nouveau.
5. Lisez le niveau d'huile. Le niveau doit se situer à la marque « Full » (plein) sur la jauge.
6. Si nécessaire, retirez le bouchon de remplissage d'huile et ajoutez de l'huile au moteur jusqu'à ce que le niveau atteigne la marque « Full » (plein) et réinsérez la jauge et le bouchon de remplissage.
7. Appuyez sur la touche AUTO du tableau de commande.
8. Si le générateur a fonctionné pendant une panne du réseau public de distribution d'électricité, mettez d'abord le disjoncteur principal sur la position ON (MARCHE). Ensuite, mettez les appareils de la résidence dont vous avez besoin SOUS TENSION.



Ne faites jamais fonctionner le moteur lorsque le niveau d'huile indiqué sur la jauge est sous la marque « Add » (ajouter). Cela pourrait endommager le moteur.



L'huile chaude peut causer des brûlures. Évitez les contacts prolongés ou répétés de la peau avec l'huile usagée. Nettoyez soigneusement les régions exposées avec du savon.

4.3.1— Recommandations en matière d'huile de moteur

Pour maintenir la garantie, des pièces de rechange Generac DOIVENT être utilisées, y compris les trousse d'huile Generac (qui comprennent un filtre à huile et un filtre à air). Les trousse d'huile Generac peuvent être obtenues par l'entremise d'un fournisseur de services d'entretien agréé ou achetées en ligne. Pour l'achat en ligne, accédez à la page des trousse de maintenance par www.generac.com ou directement à l'adresse shop.generac.com. Suivez les instructions à l'écran pour saisir les informations de livraison et effectuer l'achat.

Toutes les trousse d'huile Generac satisfont aux classes d'entretien SJ et SL de l'American Petroleum Institute (API), ou les dépassent. N'utilisez pas d'additifs spéciaux. Sélectionnez une huile dont la viscosité est appropriée pour la température de fonctionnement prévue. De l'huile synthétique avec un poids approprié peut aussi être utilisée en tant qu'huile standard.

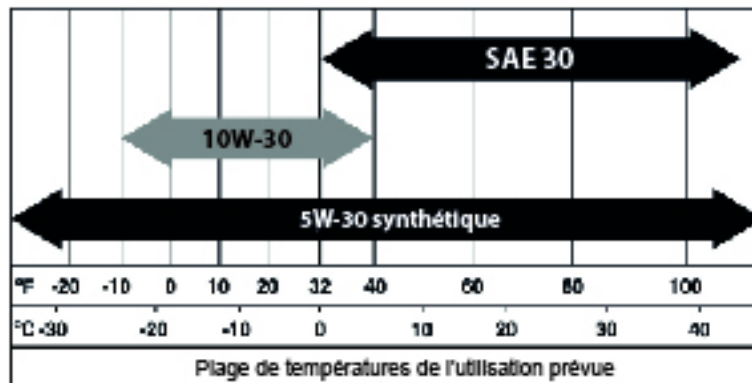


Figure 4-1 : Huile recommandée en fonction de la température

- SAE 30 au-dessus de 0 °C (32 °F)
- 10W 30 entre 4 °C et -23 °C (40 °F et -10 °F)
- 5W 30 synthétique pour toutes les plages de température



Toute tentative de lancer ou de démarrer le moteur avant qu'il n'ait fait l'objet d'un entretien adéquat avec l'huile recommandée peut entraîner une panne de moteur.

4.3.2— Vidanger l'huile et remplacer le filtre à huile

1. Démarrez le moteur en appuyant sur la touche MANUEL du tableau de commande et laissez le moteur tourner jusqu'à ce qu'il soit bien réchauffé. Ensuite, appuyez sur la touche OFF (ARRÊT) du tableau de commande pour arrêter le moteur.
2. Quelques minutes après l'arrêt du moteur, quand il a légèrement refroidi, soulevez le couvercle et retirez le panneau avant. Dégagez le tuyau de vidange d'huile en le libérant de sa pince de fixation. Retirez le bouchon du tuyau et vidangez l'huile dans un récipient approprié.
3. Une fois la vidange d'huile terminée, remettez le bouchon sur l'extrémité du tuyau de vidange d'huile. Repositionnez et fixez le tuyau avec la pince de fixation.
4. Une fois la vidange d'huile terminée, retirez le filtre à huile en le tournant en sens inverse des aiguilles d'une montre. Pour l'emplacement du filtre, voir Figure 4-2.
5. Appliquez une légère couche d'huile de moteur propre sur le joint du nouveau filtre.
6. Vissez le nouveau filtre à la main jusqu'à ce que son joint entre légèrement en contact avec l'adaptateur de filtre à huile. Ensuite, serrez le filtre de 3/4 de tour à un tour complet.
7. Remplissez le moteur avec l'huile recommandée appropriée. Pour l'huile recommandée, voir Figure 4-1.
8. Démarrez le moteur, laissez-le tourner pendant 1 minute et vérifiez qu'il n'y a pas de fuites.
9. Arrêtez le moteur et vérifiez de nouveau le niveau d'huile. Ajoutez de l'huile si nécessaire. **NE REMPLISSEZ PAS TROP LE RÉSERVOIR.**
10. Réinsérez la jauge et/ou remettez le bouchon de remplissage.
11. Appuyez sur la touche AUTO du tableau de commande.
12. Éliminez l'huile et le filtre usagés dans un centre de recyclage approprié.

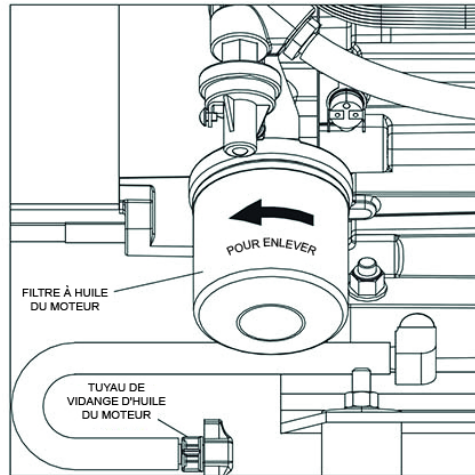


Figure 4-2 : Emplacement du filtre à huile et du tuyau de vidange

4.4 — Remplacer le filtre à air du moteur

1. Alors que le générateur est arrêté, soulevez le couvercle et retirez le panneau avant.
2. Retirez les pinces du couvercle et le couvercle du filtre à air (11 - 20 kW) ou dégagez la broche métallique et ouvrez la porte d'accès au filtre à air (8 kW).
3. Retirez le filtre à air usagé et jetez-le.
4. Nettoyez soigneusement le boîtier du filtre à air pour enlever les poussières ou débris.
5. Installez un nouveau filtre à air.
6. Installez le couvercle du filtre à air et les pinces du couvercle (11-20 kW), ou fermez la porte d'accès au filtre à air et enclenchez la broche métallique (8 kW).

4.5 — Bougies

Réglez l'écartement des bougies ou remplacez-les le cas échéant :

1. Alors que le générateur est arrêté, soulevez le couvercle et retirez le panneau avant.
2. Nettoyez la zone autour de la base des bougies pour empêcher la saleté et les débris d'entrer dans le moteur.
3. Retirez les bougies et vérifiez-en l'état. Installez de nouvelles bougies si les anciennes sont usées ou si leur réutilisation est douteuse.
4. Nettoyez les bougies en les grattant ou en les lavant avec une brosse métallique et un solvant commercial. Ne nettoyez pas les bougies au jet d'air.
5. Vérifiez l'écartement des électrodes à l'aide d'une jauge d'épaisseur. Voir Figure 4-3. Réglez l'écartement en pliant soigneusement l'électrode de masse à :
 - Pour les appareils de 8, 11 et 20 kW - 0,76 mm (0,030 pouce)
 - Pour les appareils de 13, 14, 15, 16 et 17 kW - 1,02 mm (0,040 pouce)

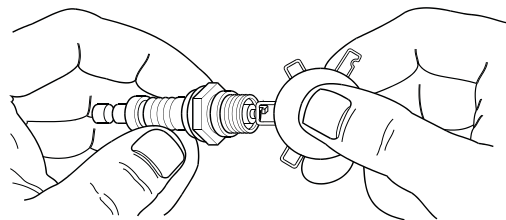


Figure 4-3 : Réglage de l'écartement des bougies

4.6 — Réglage du jeu des soupapes

Après les 25 premières heures de fonctionnement et à chaque intervalle de 400 heures ensuite, vérifiez le jeu des soupapes. Ajustez-le si nécessaire.

Important : Veuillez communiquer avec votre fournisseur de services d'entretien pour de l'assistance à ce sujet. Il s'agit d'une étape très importante visant à assurer la plus longue vie possible du moteur.

Pour vérifier le jeu des soupapes :

- Le moteur doit être froid avant la vérification. Aucun réglage n'est nécessaire si le jeu des soupapes est de 0,05 à 0,1 mm (0,002 po à 0,004 po).
- Retirez les fils des bougies et placez-les loin des bougies.
- Retirez les bougies.
- Assurez-vous que le piston est au point mort haut (PMH) de sa course de compression (les deux soupapes fermées). Pour obtenir le piston au PMH, enlevez le filtre d'admission à l'avant du moteur pour avoir accès à l'écrou du volant. Utilisez une grande douille et une clé à douille pour faire tourner l'écrou et donc le moteur dans le sens des aiguilles d'une montre, tout en surveillant le piston à travers le trou de la bougie. Le piston devrait se déplacer de haut en bas. Le piston est au PMH quand il est au plus haut point de sa course.

Pour régler le jeu des soupapes (voir la figure 4-4) :

- Assurez-vous que le moteur est à une température de 16 °C à 27 °C (60 °F à 80 °F).
- Assurez-vous que le fil de la bougie est retiré de la bougie et qu'il est à l'écart.
- Retirez les quatre vis de fixation du couvercle de soupape.
- Desserrez le contre-écrou du culbuteur. Utilisez une clé Allen de 10 mm (moteur de 530 cm³) ou une clé Allen de 13 mm (moteurs de 410 cm³, 990 cm³ et 999 cm³) pour faire tourner le goujon de rotule tout en vérifiant le jeu entre le culbuteur et la tige de soupape avec une jauge d'épaisseur. Le jeu correct est de 0,05 à 0,1 mm (0,002 à 0,004 pouce).

REMARQUE : Maintenez le contre-écrou du culbuteur en place alors que le goujon de rotule est tourné.

- Quand le jeu des soupapes est correct, maintenez le goujon de rotule en place avec la clé hexagonale et serrez le contre-écrou du culbuteur. Serrez le contre-écrou et réglez le couple de serrage à 19,68 N.m (174 po-lb). Après avoir serré le contre-écrou, vérifiez à nouveau le jeu des soupapes pour vous assurer qu'il n'a pas changé.
- Installez un nouveau joint pour le couvercle de soupape.
- Remplacez le couvercle de la soupape.

REMARQUE : Insérez et vissez légèrement les quatre vis avant de les serrer complètement, sinon il ne sera pas possible de toutes les fixer en place. Assurez-vous que le nouveau joint du couvercle de soupape est en place.

- Installez les bougies.
- Rebranchez le câble de bougie sur la bougie.
- Au besoin, répétez l'opération pour l'autre cylindre.

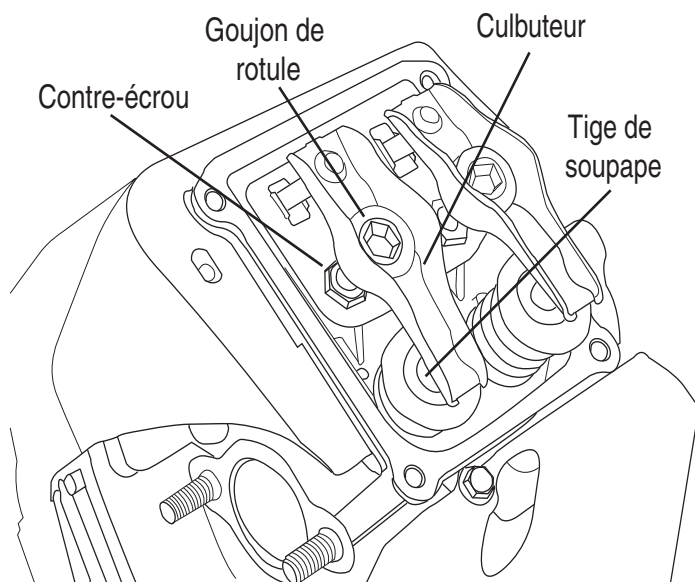


Figure 4-4 : Réglage du jeu des soupapes

4.7 — Entretien de la batterie

La batterie doit être inspectée régulièrement, conformément au Calendrier d'entretien :

1. Alors que le générateur est arrêté, soulevez le couvercle et retirez le panneau avant.
2. Inspectez les bornes et les câbles de la batterie pour vous assurer qu'ils sont bien serrés et qu'il n'y a pas de corrosion. Serrez-les et nettoyez-les si nécessaire.
3. Vérifiez le niveau de liquide de batterie des batteries non scellées et si nécessaire, ajoutez de l'eau distillée uniquement. N'utilisez PAS l'eau du robinet. En outre, demandez au fournisseur de services d'entretien ou à un technicien qualifié de vérifier l'état de charge et l'état général de la batterie.

⚠ DANGER!

Ne jetez pas la batterie au feu. La batterie peut exploser.



Une batterie peut présenter un risque de décharge électrique et de courant de court-circuit élevé. Respectez scrupuleusement les précautions suivantes lorsque vous manipulez des batteries :



- Retirez le fusible de 7,5 A du tableau de commande du générateur.
- Retirez tous vos bijoux : montres, bagues, objets métalliques, etc.
- Utilisez des outils avec poignées isolées.
- Portez des gants et des bottes de caoutchouc.
- Ne posez pas d'outils ou d'objets métalliques sur le dessus de la batterie.
- Déconnectez la source de charge avant de connecter ou déconnecter les bornes de la batterie.

⚠ WARNING!



N'ouvrez pas et n'endommagez pas la batterie. L'électrolyte libéré est reconnu comme étant nocif pour la peau et les yeux, et comme étant toxique. L'électrolyte est un acide sulfurique dilué qui est nocif pour la peau et les yeux. Il est électriquement conducteur et corrosif. Respectez scrupuleusement les précautions suivantes :

- Portez une protection complète pour les yeux et des vêtements protecteurs.
- Si l'électrolyte entre en contact avec la peau, rincez-la immédiatement à l'eau.
- Si l'électrolyte entre en contact avec les yeux, aspergez-les abondamment et immédiatement avec de l'eau et consultez un médecin.
- Lavez l'électrolyte déversé avec un agent neutralisant. Une pratique courante consiste à utiliser une solution de 500 grammes (1 livre) de bicarbonate de soude dans 4 litres (1 gallon) d'eau. La solution de bicarbonate de soude doit être ajoutée jusqu'à ce qu'on ait la certitude que la réaction (formation de mousse) a cessé. Vous devez ensuite rincer le liquide résultant avec de l'eau et sécher la surface.



Les batteries au plomb-acide présentent un risque d'incendie, car elles génèrent de l'hydrogène gazeux. Respectez scrupuleusement les précautions suivantes :

- NE fumez PAS à proximité de la batterie.
- NE provoquez PAS de flammes ou d'étincelles dans la zone de la batterie.
- Déchargez l'électricité statique de votre corps avant tout contact avec la batterie en touchant d'abord une surface métallique mise à la terre.



Assurez-vous que l'alimentation du réseau public est coupée et que le fusible de 7,5 A est retiré du tableau de commande du générateur, sinon des étincelles peuvent se produire aux bornes de la batterie lorsque les câbles sont attachés et provoquer une explosion.

4.8 — Précautions après une immersion

Le générateur NE DOIT PAS être démarré et fonctionner s'il a été immergé dans l'eau. Après que le générateur a été immergé dans l'eau, demandez à un fournisseur de services d'entretien de le nettoyer, de le sécher et de l'inspecter au complet. Si la structure (résidence) a été inondée, elle doit être inspectée par un électricien certifié pour s'assurer qu'il n'y aura pas de problèmes électriques pendant le fonctionnement du générateur ou lorsque l'alimentation du réseau public sera rétablie.

4.9 — Protection contre la corrosion

Lavez et cirez le boîtier périodiquement à l'aide de produits de type automobile. Il est recommandé de laver le boîtier fréquemment dans les zones à proximité d'eau salée et les zones côtières. Pulvérisez la tringlerie du moteur avec une huile légère telle que du WD-40.

4.10 — Procédure de mise hors service

4.10.1— Retrait du service

Lorsqu'il n'est pas possible d'effectuer un cycle d'exercice du générateur tous les 7 jours et que celui-ci ne sera pas utilisé plus de 90 jours, préparez le générateur pour l'entreposage :

1. Démarrez le moteur et laissez-le préchauffer.
2. Fermez le robinet de carburant dans la conduite d'alimentation en carburant et laissez l'appareil s'arrêter.
3. Une fois que l'appareil est arrêté, réglez le disjoncteur du circuit principal du générateur (déconnexion du générateur) sur la position ARRÊT (OUVERT).
4. Coupez l'alimentation du réseau public au commutateur de transfert.
5. Retirez le fusible de 7,5 A du tableau de commande du générateur.
6. Débranchez les câbles de la batterie. Retirez le câble négatif en premier.

-
7. Retirez le câble d'entrée c.a. T1/neutre (à gaine blanche) du chargeur de batterie fixé sur l'automate de contrôle.
 8. Alors que le moteur est encore chaud, vidangez complètement l'huile, puis remplissez le carter d'huile.
 9. Apposez une étiquette sur le moteur indiquant la viscosité et la classification de la nouvelle huile dans le carter.
 10. Retirez les bougies et pulvérisez de l'huile à brumiser dans les ouvertures filetées des bougies. Réinstallez et serrez les bougies.
 11. Retirez la batterie et entreposez-la dans un endroit frais et sec sur une planche de bois. N'entreposez jamais la batterie sur un sol de béton ou de terre.
 12. Nettoyez et essuyez le générateur au complet.

4.10.2— Remise en service

Pour remettre l'appareil en service après l'entreposage :

1. Vérifiez que l'alimentation du réseau public est coupée.
2. Vérifiez l'étiquette sur le moteur pour connaître la viscosité et la classification de l'huile. Si nécessaire, vidangez l'huile et remplissez le carter d'une huile appropriée.
3. Vérifiez l'état de la batterie. Remplissez tous les éléments des batteries non scellées au niveau approprié avec de l'eau distillée. N'utilisez PAS l'eau du robinet. Rechargez la batterie à un état de charge de 100 %. Remplacez la batterie si elle est défectueuse.
4. Nettoyez et essuyez le générateur au complet.
5. Assurez-vous que le fusible de 7,5 A est retiré du tableau de commande du générateur.
6. Rebranchez la batterie. Respectez la polarité de la batterie. Des dommages peuvent survenir si la batterie est branchée incorrectement. Installez le câble positif en premier.
7. Rebranchez le câble d'entrée c.a. T1/neutre (à gaine blanche) du chargeur de batterie sur l'automate de contrôle.
8. Ouvrez le robinet d'arrêt carburant.
9. Insérez le fusible de 7,5 A dans le tableau de commande du générateur.
10. Faites démarrer l'appareil en appuyant sur la touche MANUAL (MANUEL). Laissez l'appareil chauffer pendant quelques minutes.
11. Arrêtez l'appareil en appuyant sur la touche OFF (ARRÊT) du tableau de commande.
12. Mettez sous tension l'alimentation du réseau public au commutateur de transfert.
13. Réglez le tableau de commande sur le mode AUTO.

Le générateur est prêt à fonctionner.

REMARQUE : Lorsqu'une batterie est morte ou a été débranchée, la minuterie d'exercice et la date et l'heure doivent être réinitialisées.

Section 5

Dépannage

Problème	Cause	Correction
Le moteur ne tourne pas.	<ol style="list-style-type: none"> 1. Fusible sauté. 2. Câbles de batterie lâches, corrodés ou défectueux. 3. Contacts de démarreur défectueux. 4. Moteur de démarreur défectueux. 5. Batterie morte. 	<ol style="list-style-type: none"> 1. Corrigez l'état de court-circuit, en remplaçant le fusible de 7,5 A dans le tableau de commande du générateur. 2. Serrez, nettoyez ou remplacez selon le cas.* 3. * Voir no 2. 4. * Voir no 2. 5. Chargez ou remplacez la batterie.
Le moteur tourne, mais ne démarre pas.	<ol style="list-style-type: none"> 1. Panne de carburant. 2. Solénoïde de carburant (SC) défectueux. 3. Ouvrez le câble no 14 depuis le tableau de commande. 4. Bougies défectueuses. 5. Jeu des soupapes déréglé. 	<ol style="list-style-type: none"> 1. Ajoutez du carburant/Ouvrez le robinet de carburant. 2. * 3. Réparez le câblage. 4. Nettoyez, recalibrez l'écartement ou remplacez les bougies. 5. Réglez le jeu des soupapes de nouveau.
Le moteur démarre abruptement et tourne de manière saccadée.	<ol style="list-style-type: none"> 1. Filtre à air obstrué ou endommagé. 2. Bougies défectueuses. 3. Régulateur de carburant non réglé. 4. Sélecteur de réservoir sur la mauvaise position. 	<ol style="list-style-type: none"> 1. Vérifiez/remplacez le filtre à air. 2. Nettoyez, recalibrez l'écartement ou remplacez les bougies. 3. Vérifiez que la pression de carburant au régulateur est entre 10 et 12 po de colonne d'eau (entre 19 et 22 mm Hg) dans le cas du propane liquide ou entre 3,5 et 7 po de colonne d'eau (entre 7 et 13 mm Hg) dans le cas du gaz naturel. 4. Mettez le sélecteur sur la bonne position.
Le générateur est réglé sur OFF (ARRÊT), mais le moteur continue de tourner.	<ol style="list-style-type: none"> 1. Régulateur câblé incorrectement. 2. Tableau de commande défectueux. 	<ol style="list-style-type: none"> 1. Réparez le câblage ou remplacez le régulateur. 2. *
Il n'y a pas de sortie c.a. depuis le générateur.	<ol style="list-style-type: none"> 1. Le disjoncteur principal est sur la position ARRÊT (ou OUVERT). 2. Panne interne du générateur. 	<ol style="list-style-type: none"> 1. Réinitialisez le disjoncteur sur MARCHE (ou FERMÉ). 2. *
Il n'y a pas de transfert au générateur de secours lorsque le réseau public de distribution d'électricité tombe en panne.	<ol style="list-style-type: none"> 1. Le disjoncteur principal est sur la position ARRÊT (ou OUVERT). 2. Bobine du commutateur de transfert défectueuse. 3. Relais de transfert défectueux. 4. Le circuit du relais de transfert est ouvert. 5. Tableau de logique de commande défectueuse. 	<ol style="list-style-type: none"> 1. Réinitialisez le disjoncteur à la position MARCHE (ou FERMÉ). 2. * 3. * 4. * 5. *
L'appareil consomme d'importantes quantités d'huile.	<ol style="list-style-type: none"> 1. Trop d'huile dans le moteur. 2. Le reniflard du moteur est défectueux. 3. Type ou viscosité d'huile inapproprié(e). 4. Garniture, joint d'étanchéité ou tuyau endommagé. 	<ol style="list-style-type: none"> 1. Réduisez la quantité d'huile à un niveau acceptable. 2. * 3. Voir « Recommandations en matière d'huile de moteur ». 4. Vérifiez que l'huile ne fuit pas.

* Veuillez communiquer avec le fournisseur de services d'entretien agréé pour de l'assistance.

Page laissée en blanc intentionnellement.

Problème	DEL	Éléments à vérifier	Alarme active	Solution
L'appareil fonctionne en mode AUTO, mais il n'y a pas d'électricité dans la maison.	VERT	Vérifiez le DLP.	AUCUN	Vérifiez le DLP. Communiquez avec le fournisseur de services d'entretien si le DLP est en position ON.
L'appareil s'éteint pendant le fonctionnement.	ROUGE	Vérifiez s'il y a des alarmes sur l'écran ou sur les voyants DEL.	TEMPÉRATURE ÉLEVÉE	Vérifiez la ventilation autour de l'entrée et de la sortie d'air, et à l'arrière du générateur. Communiquez avec le fournisseur de services d'entretien si vous ne trouvez aucune obstruction.
L'appareil s'éteint pendant le fonctionnement.	ROUGE	Vérifiez s'il y a des alarmes sur l'écran ou sur les voyants DEL.	RETIRER LA CHARGE SURCHARGÉE	Effacez l'alarme et retirez les charges domestiques du générateur. Revenez en mode AUTO et redémarrez.
L'appareil fonctionnait, s'est éteint et a essayé de redémarrer.	ROUGE	Vérifiez s'il y a des alarmes sur l'écran ou sur les voyants DEL.	PERTE SENS TR/ MIN	Effacez l'alarme et retirez les charges domestiques du générateur. Revenez en mode AUTO et redémarrez. Si le problème se reproduit, communiquez avec le fournisseur de services d'entretien pour rechercher un problème possible lié au carburant.
L'appareil ne démarre pas en mode AUTO si le réseau public est défectueux.	AUCUN	Regardez si l'écran montre que l'appareil n'est pas activé.	NON ACTIVÉ	Consultez la section sur l'activation dans le manuel du propriétaire.
L'appareil ne démarre pas en mode AUTO si le réseau public est défectueux.	VERT	Vérifiez sur l'écran si le décompte pour le délai de démarrage est commencé.	Aucun	Si le délai de démarrage est plus long que prévu, communiquez avec un fournisseur de services d'entretien pour le régler (de 2 à 1500 secondes).
L'appareil ne démarre pas en mode AUTO si le réseau public est défectueux.	ROUGE	Vérifiez s'il y a des alarmes sur l'écran ou sur les voyants DEL.	PRESSION D'HUILE BASSE	Vérifiez le niveau d'huile. Ajoutez de l'huile conformément au manuel du propriétaire. Communiquez avec le fournisseur de services d'entretien si le niveau d'huile est correct.
L'appareil ne démarre pas en mode AUTO si le réseau public est défectueux.	ROUGE	Vérifiez s'il y a des alarmes sur l'écran ou sur les voyants DEL.	PERTE SENS TR/ MIN	Effacez l'alarme. À partir du menu PRINCIPAL du tableau de commande, naviguez jusqu'au MENU de la BATTERIE. Communiquez avec un fournisseur de services d'entretien si l'indication de l'état de la batterie est GOOD (BON). Remplacez la batterie si l'indication CHECK BATTERY (VÉRIFIER LA BATTERIE) est affichée.
L'appareil ne démarre pas en mode AUTO si le réseau public est défectueux.	ROUGE	Vérifiez s'il y a des alarmes sur l'écran ou sur les voyants DEL.	EMBALLEMENT	Vérifiez que le robinet d'arrêt de conduite de carburant est en position ON (MARCHE). Effacez l'alarme. Essayez de démarrer l'appareil en mode MANUEL. S'il ne démarre pas ou démarre et tourne de façon irrégulière, communiquez avec un fournisseur de services d'entretien.
L'appareil ne démarre pas en mode AUTO si le réseau public est défectueux.	ROUGE	Vérifiez s'il y a des alarmes sur l'écran ou sur les voyants DEL.	TENSIONS FAIBLES RETIRER LES CHARGES	Effacez l'alarme et retirez les charges domestiques du générateur. Revenez en mode AUTO et redémarrez.

Problème	DEL	Éléments à vérifier	Alarme active	Solution
L'appareil ne démarre pas en mode AUTO si le réseau public est défectueux.	ROUGE	Vérifiez s'il y a des alarmes sur l'écran ou sur les voyants DEL.	PROBLÈME DE FUSIBLE	Vérifiez le fusible de 7,5 A (ATO). Remplacez par un fusible de même type si le fusible est grillé. Communiquez avec un fournisseur de services d'entretien si le fusible est bon.
L'appareil ne démarre pas en mode AUTO si le réseau public est défectueux.	ROUGE	Vérifiez s'il y a des alarmes sur l'écran ou sur les voyants DEL.	SURVITESSE	Communiquez avec un fournisseur de services d'entretien.
L'appareil ne démarre pas en mode AUTO si le réseau public est défectueux.	ROUGE	Vérifiez s'il y a des alarmes sur l'écran ou sur les voyants DEL.	SOUS-TENSION	Communiquez avec un fournisseur de services d'entretien.
L'appareil ne démarre pas en mode AUTO si le réseau public est défectueux.	ROUGE	Vérifiez s'il y a des alarmes sur l'écran ou sur les voyants DEL.	SOUS-VITESSE	Communiquez avec un fournisseur de services d'entretien.
L'appareil ne démarre pas en mode AUTO si le réseau public est défectueux.	ROUGE	Vérifiez s'il y a des alarmes sur l'écran ou sur les voyants DEL.	SURINTENSITÉ PROGRESSIVE	Communiquez avec un fournisseur de services d'entretien.
L'appareil ne démarre pas en mode AUTO si le réseau public est défectueux.	ROUGE	Vérifiez s'il y a des alarmes sur l'écran ou sur les voyants DEL.	MAUVAIS BRANCHEMENT	Communiquez avec un fournisseur de services d'entretien.
L'appareil ne démarre pas en mode AUTO si le réseau public est défectueux.	ROUGE	Vérifiez s'il y a des alarmes sur l'écran ou sur les voyants DEL.	SURVOLTAGE	Communiquez avec un fournisseur de services d'entretien.
Voyant DEL jaune allumé dans tous les cas.	JAUNE	Vérifiez l'information supplémentaire sur l'écran.	BATTERIE FAIBLE	Effacez l'alarme. À partir du menu PRINCIPAL du tableau de commande, naviguez jusqu'au MENU de la BATTERIE. Communiquez avec un fournisseur de services d'entretien si l'indication de l'état de la batterie est GOOD (BON). Remplacez la batterie si l'indication CHECK BATTERY (VÉRIFIER LA BATTERIE) est affichée.
Voyant DEL jaune allumé dans tous les cas.	JAUNE	Vérifiez l'information supplémentaire sur l'écran.	PROBLÈME DE BATTERIE	Communiquez avec un fournisseur de services d'entretien.
Voyant DEL jaune allumé dans tous les cas.	JAUNE	Vérifiez l'information supplémentaire sur l'écran.	AVERTISSEMENT DU CHARGEUR	Communiquez avec un fournisseur de services d'entretien
Voyant DEL jaune allumé dans tous les cas.	JAUNE	Vérifiez l'information supplémentaire sur l'écran.	SERVICE A	Effectuez un entretien de SERVICE A, appuyez sur ENTER (ENTRÉE) pour effacer.
Voyant DEL jaune allumé dans tous les cas.	JAUNE	Vérifiez l'information supplémentaire sur l'écran.	SERVICE B	Effectuez un entretien de SERVICE B; appuyez sur ENTER (ENTRÉE) pour effacer.
Voyant DEL jaune allumé dans tous les cas.	JAUNE	Vérifiez l'information supplémentaire sur l'écran.	Inspectez la batterie	Inspectez la batterie, appuyez sur ENTER (ENTRÉE) pour effacer.

Pièce no 0J9943SPFR
Imprimé aux É.-U.

Rév. F 30/05/2014

© Generac Power Systems, Inc. Tous droits réservés
Les caractéristiques techniques peuvent être modifiées sans
préavis.

Aucune reproduction n'est autorisée sous quelque forme que
ce soit sans le consentement écrit préalable de Generac
Power Systems, Inc.

GENERAC®



Generac Power Systems, Inc.
S45 W29290 Hwy. 59
Waukesha, WI 53189, É.-U.
1-888-GENERAC (1-888-436-3722)
generac.com