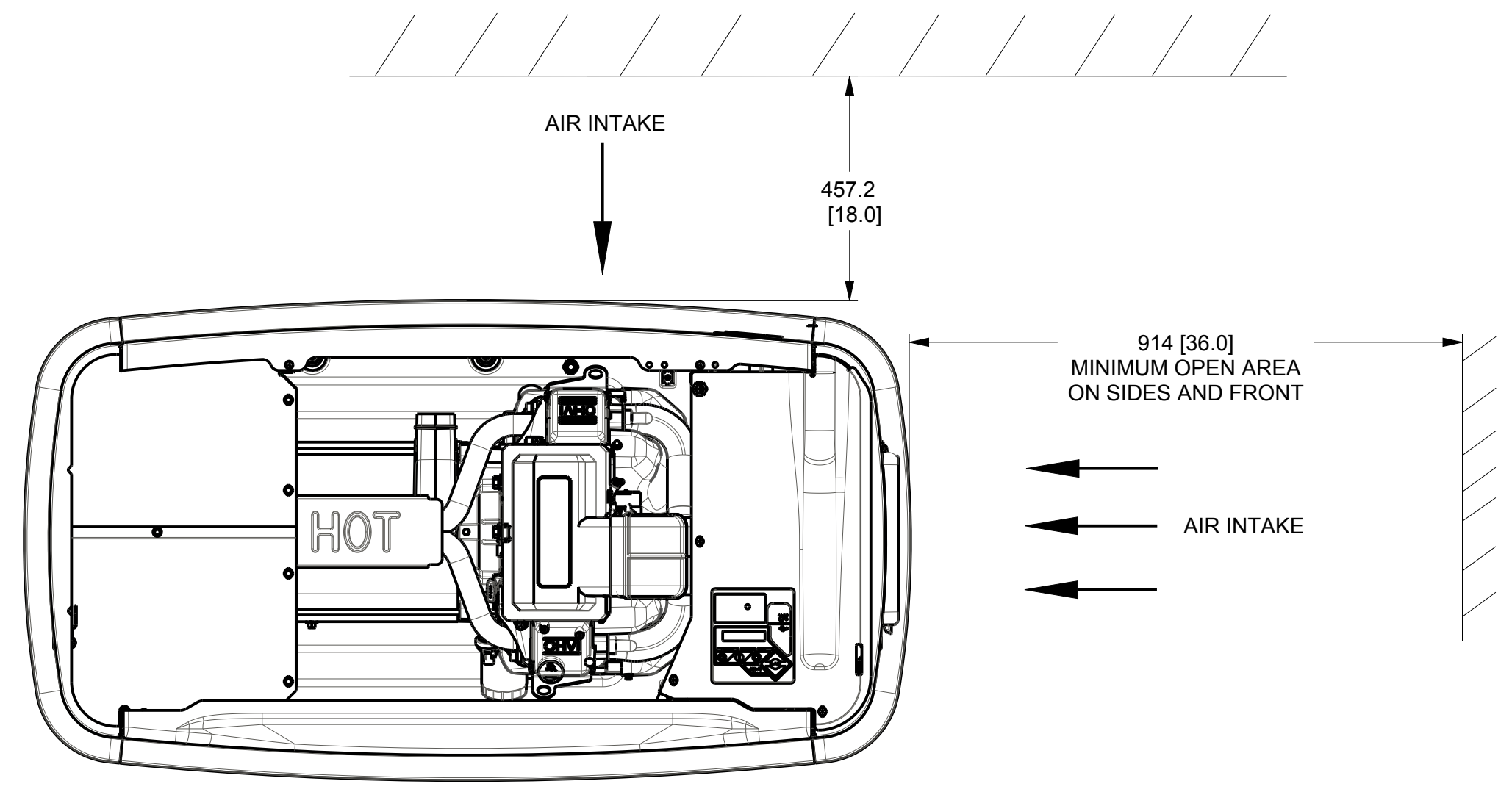


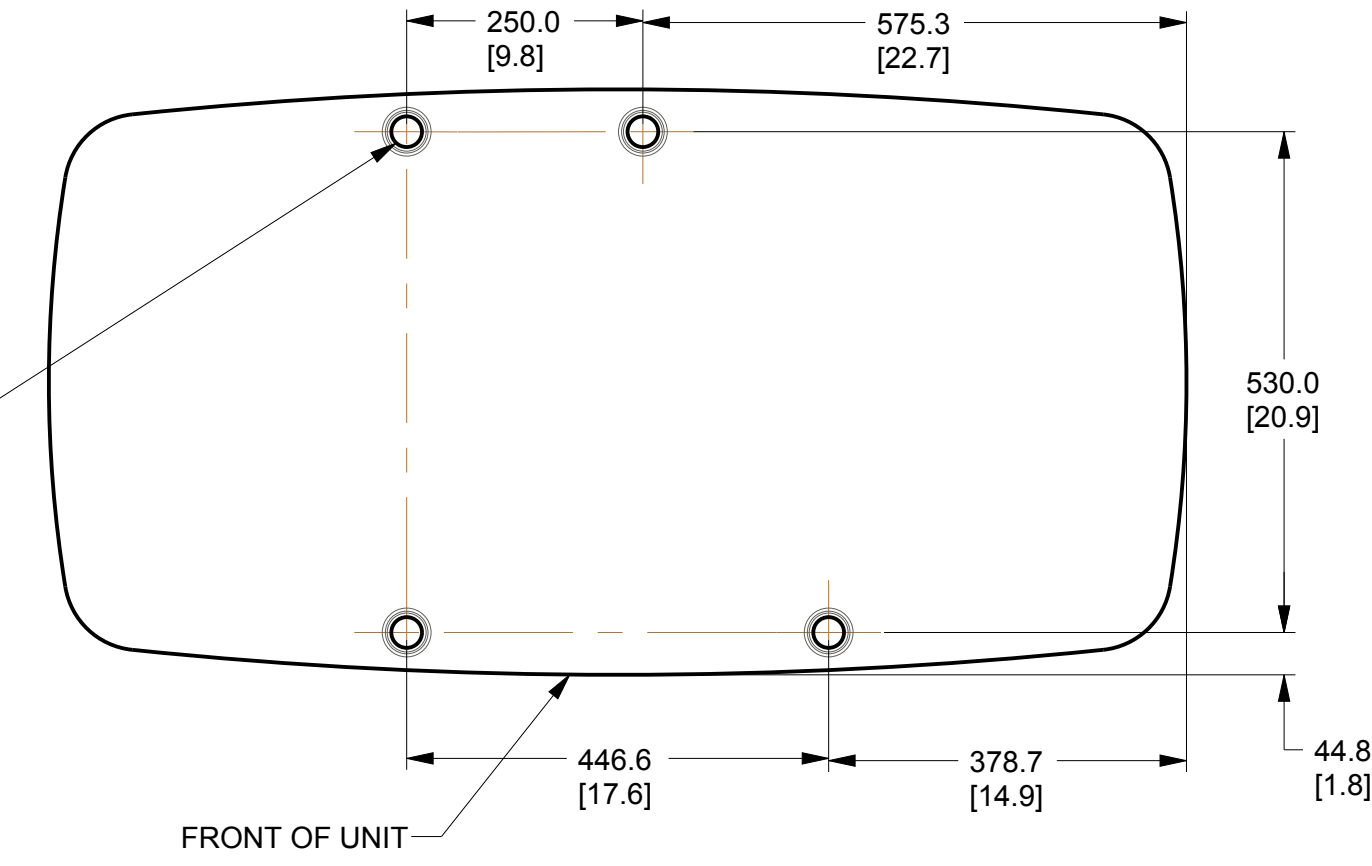
Ø 30.2 [1.2]
LIFTING HOLES 4 CORNERS

"DO NOT LIFT BY ROOF"



TOP VIEW

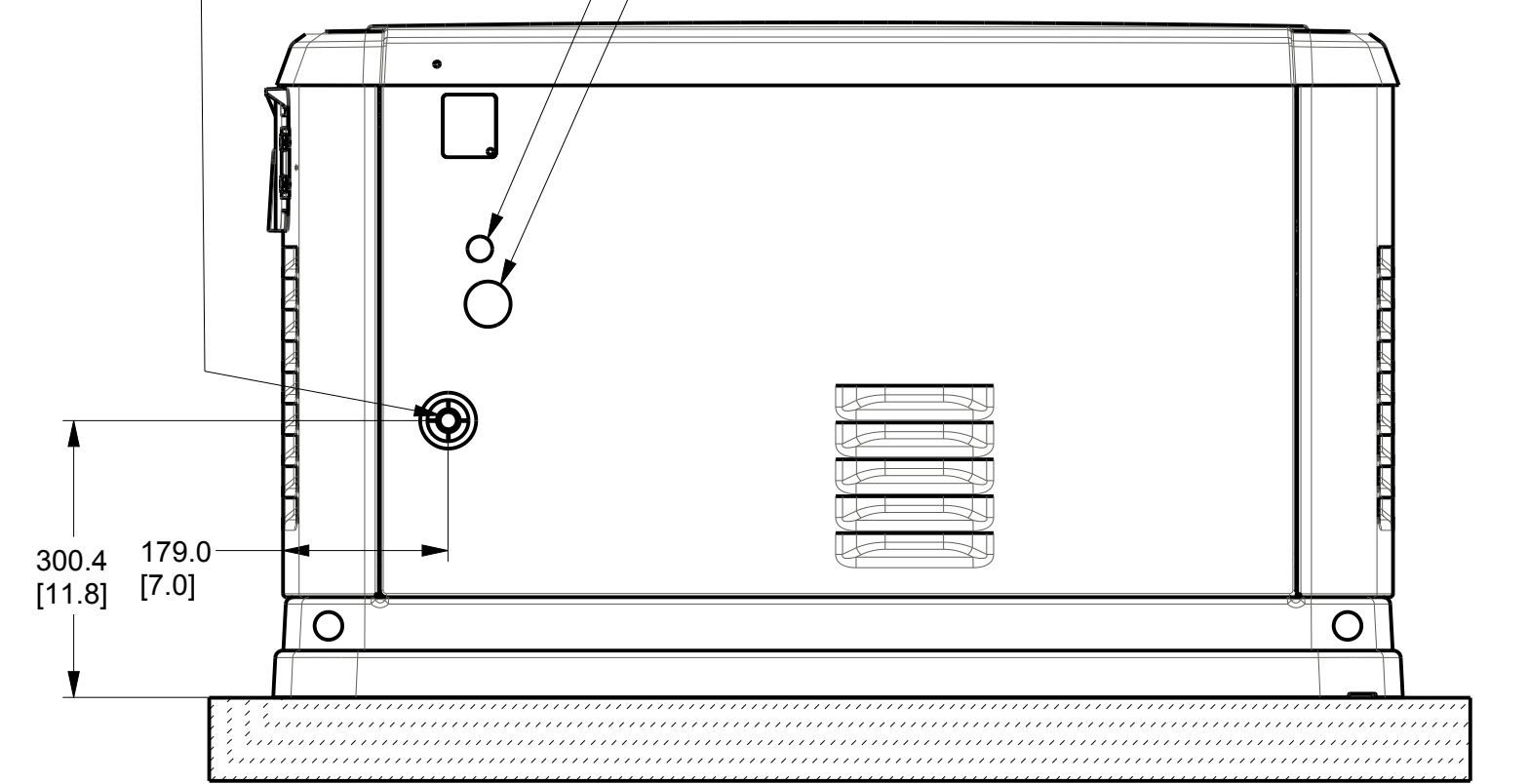
HOLE LOCATIONS FOR
OPTIONAL MOUNTING TO
A CONCRETE PAD
16.0 [5/8] DIA. CLEARANCE
HOLE (4) PLACES,
3/8 DIA. MASONRY ANCHOR
BOLTS RECOMMENDED



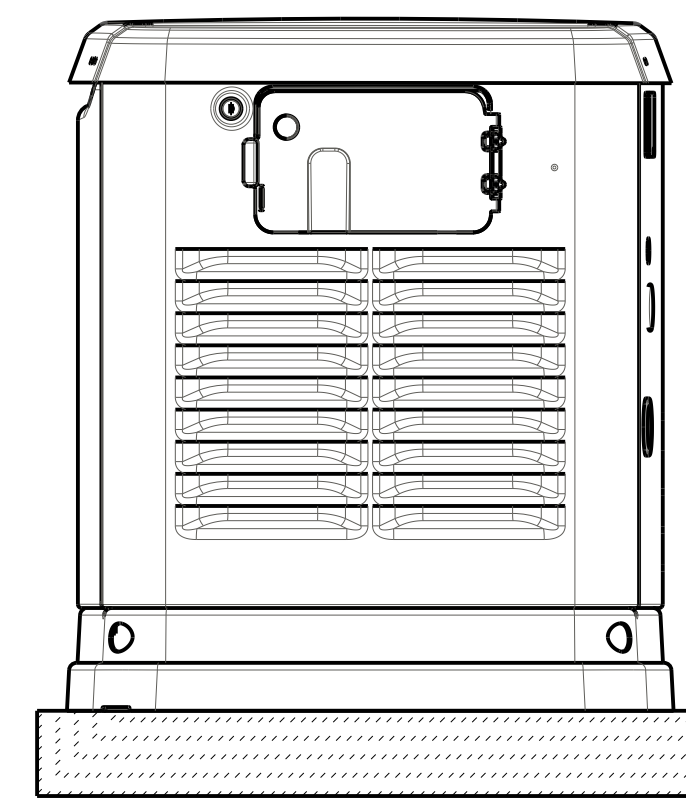
FRONT OF UNIT

FUEL INLET - 3/4" NPT
REQUIRED FUEL PRESSURE: NATURAL GAS : 3.5-7" WATER COLUMN
LIQUID PROPANE (VAPOR) : 10-12" WATER COLUMN

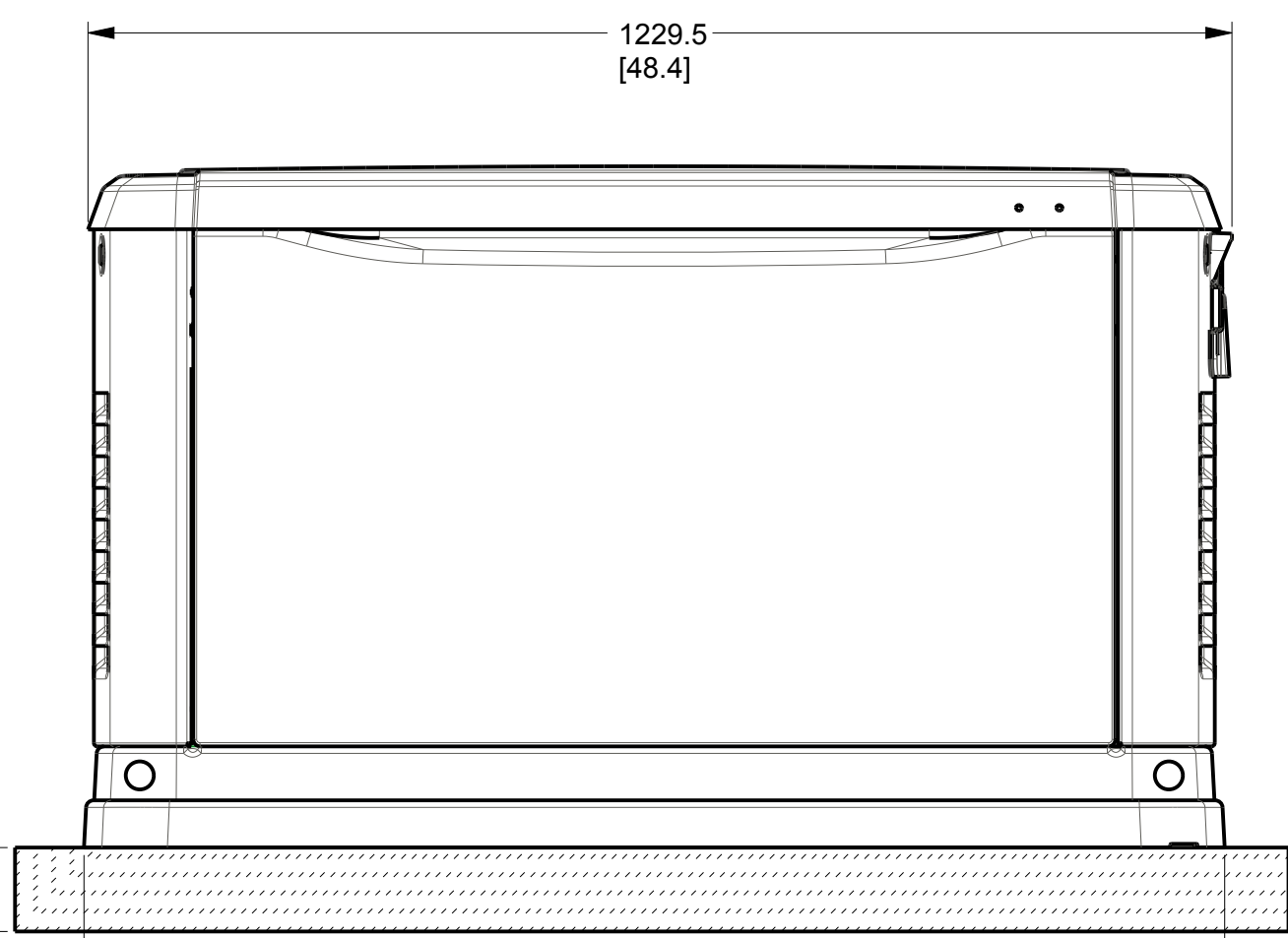
MAIN AC/CONTROL WIRING HOLE FOR 3/4" CONDUIT
MAIN AC/CONTROL WIRING HOLE FOR 1 1/4" CONDUIT



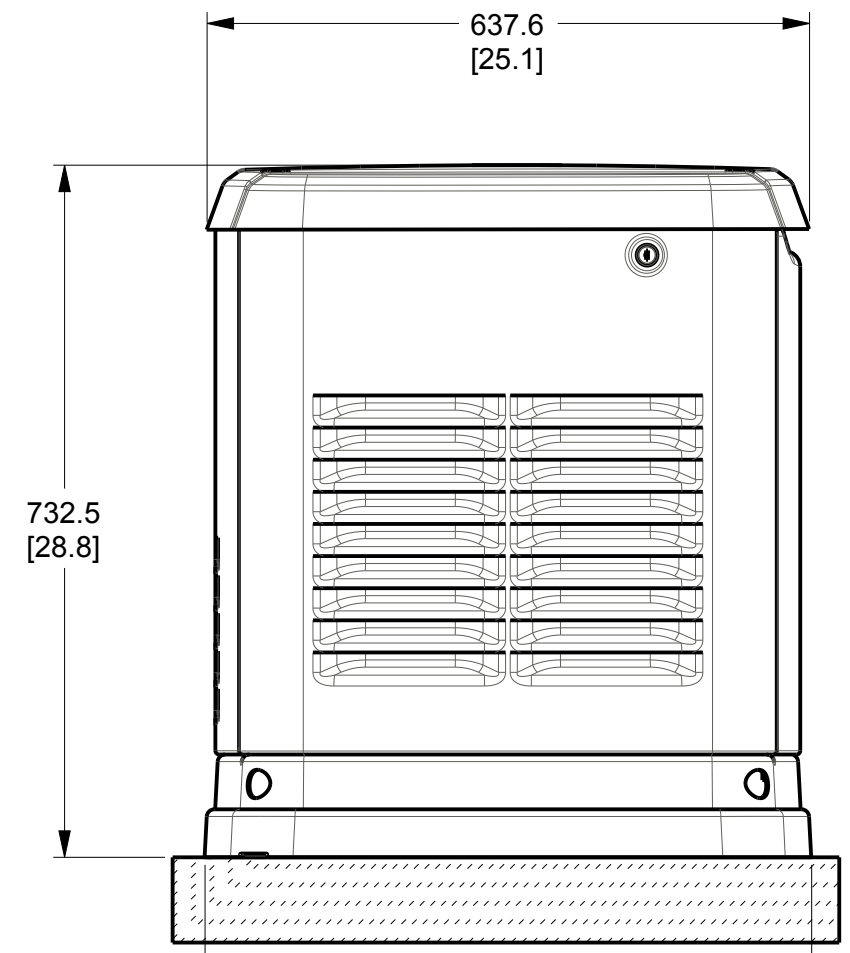
REAR VIEW



RIGHT SIDE VIEW

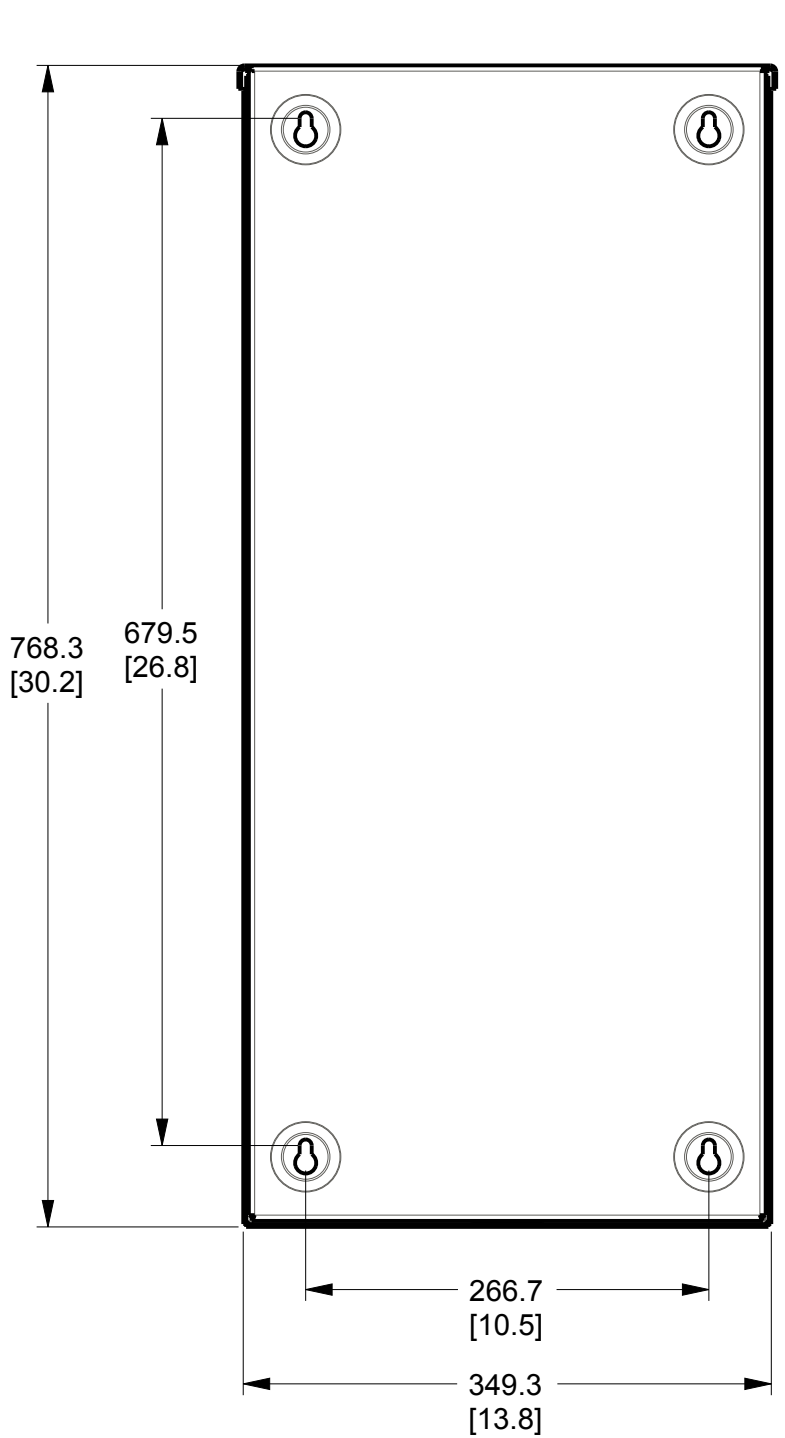


FRONT VIEW

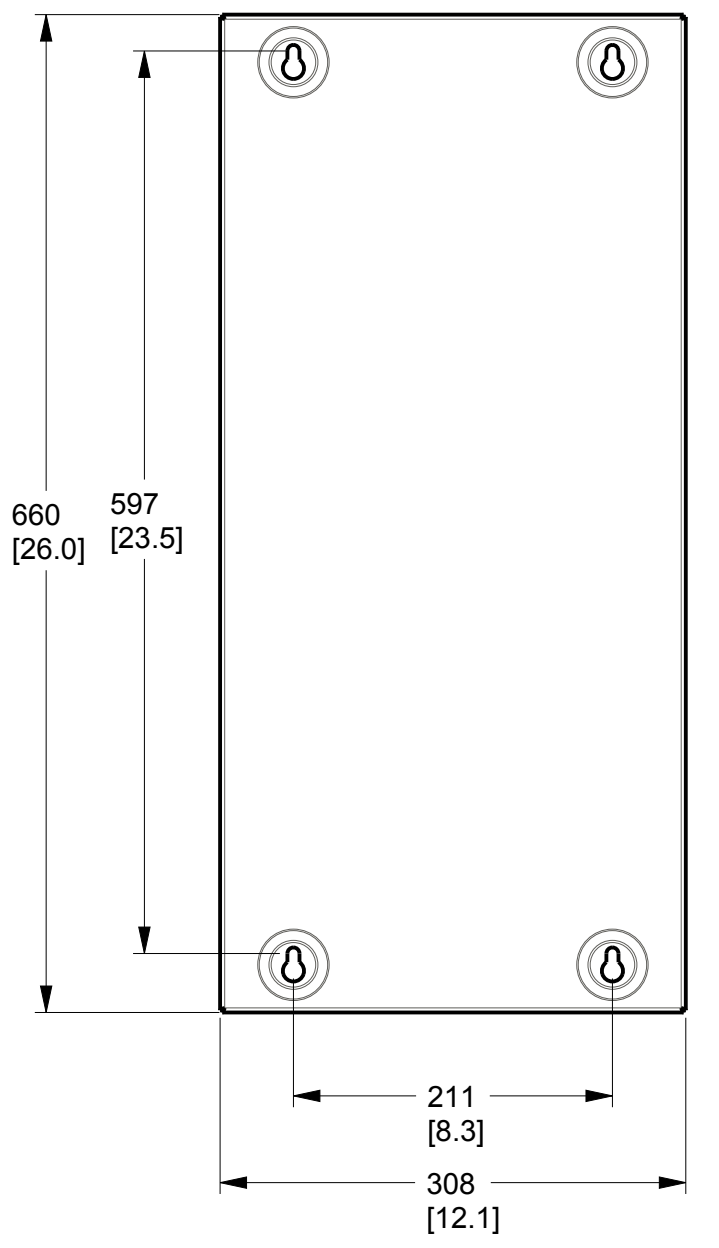


LEFT SIDE VIEW

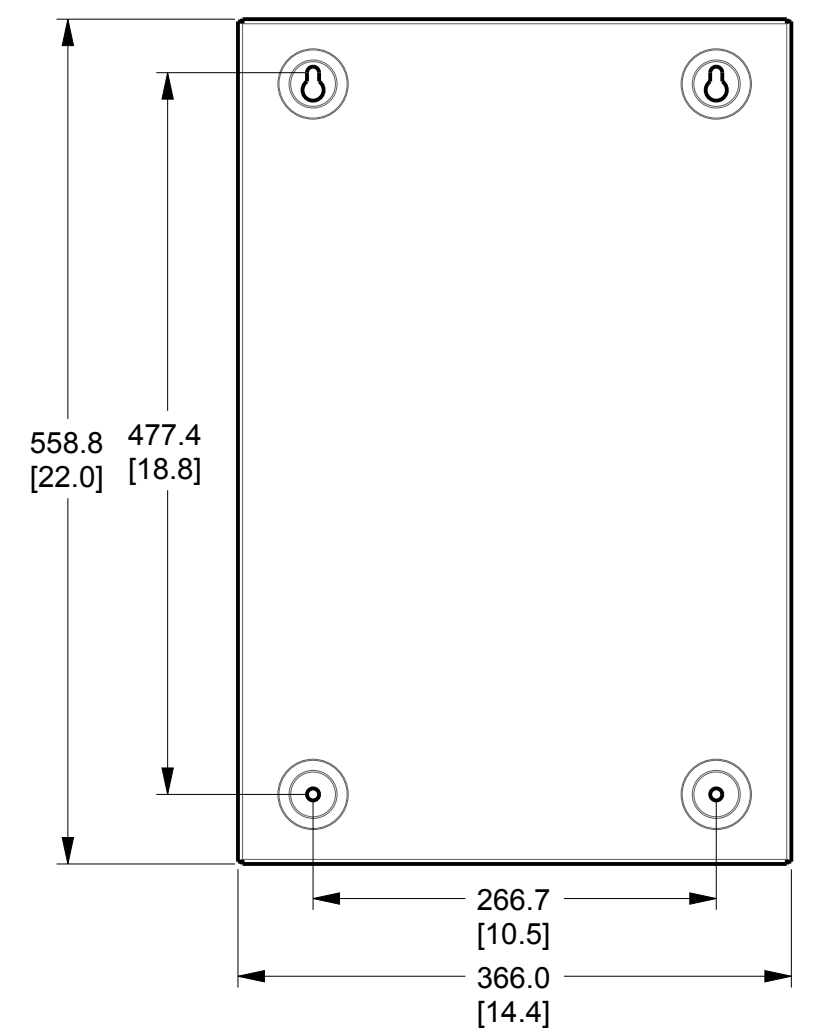
76.2 [3.0]
PEA GRAVEL
MINIMUM



SERVICE ENTRANCE
TRANSFER SWITCH
(IF SUPPLIED)



PRE-WIRED TRANSFER SWITCH
(IF SUPPLIED)



DRAWING CREATED FROM PRO/ENGINEER
3D FILE. ECO MODIFICATION TO BE
APPLIED TO SOLID MODEL ONLY.

INSTALLATION DRAWING

		TITLE	
		HSB INSTALL GENERATOR	
FIRST USE: 2013 HSB		ISSUE DATE: 11/27/12	REV F
SIZE B	CAGE NO N/A	DWG NO OJ9945	REV F
SCALE NTS	WT-KG	N/A	SHEET 1 of 1