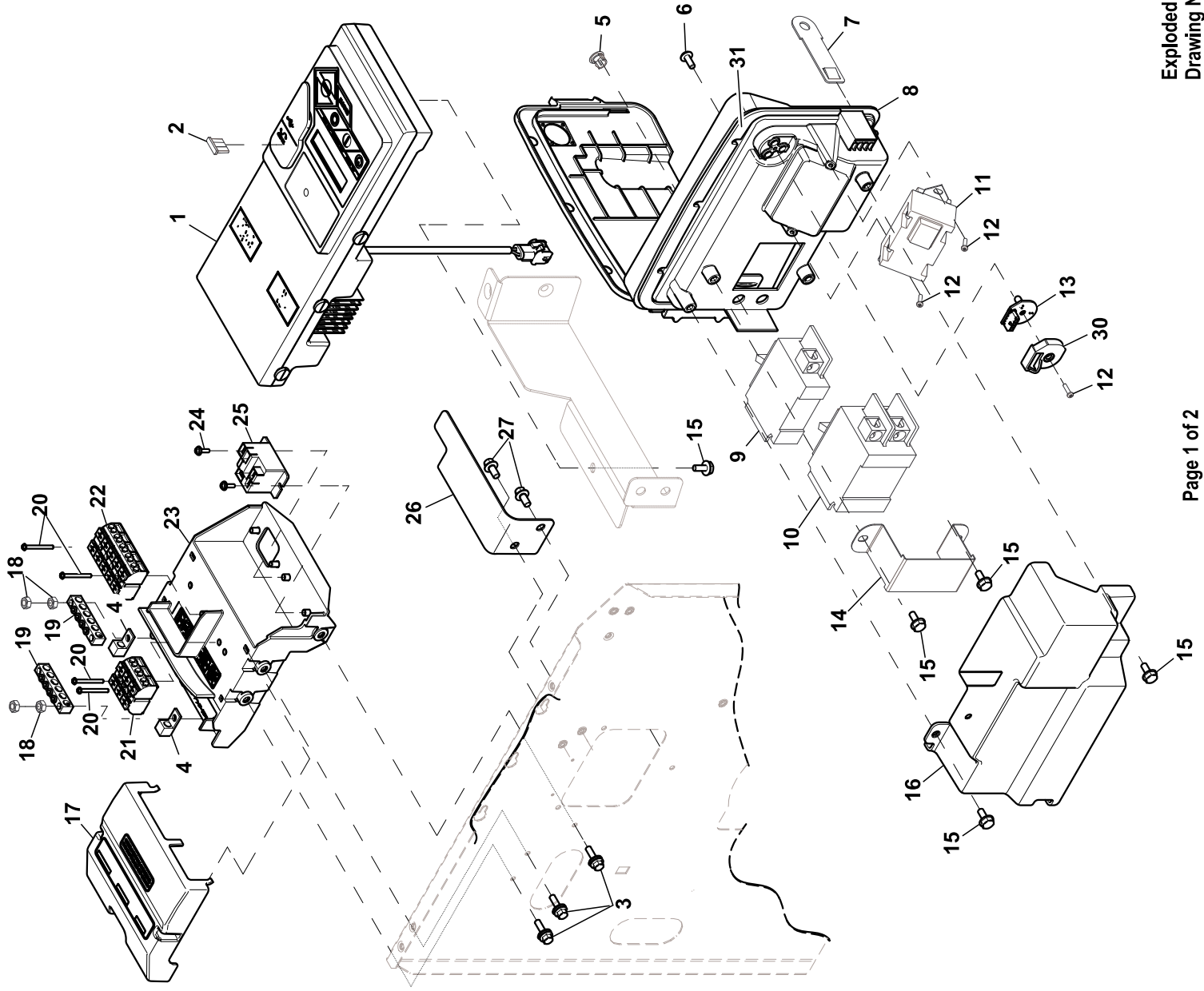


GROUP EV



EXPLODED VIEW: EV CONTROL PANEL - HSB**DRAWING #: 0J9962****APPLICABLE TO: 0062450/0062460/0065000****GROUP EV**

ITEM	PART#	QTY.	DESCRIPTION
1	0J8371C	1	ASSY CONTROLLER
2	0D7178T	REF	FUSE ATO TYPE 7.5AMP (BROWN)
3	0H8030	3	SCREW HHFC M5-0.8X12 W/PATCH
4	0K0481	2	LUG SLDLSS #2-#14 AL
5	0J2860	2	PLUG PLASTIC DOME 7/16" - HSB
6	0J7751	3	SCREW PPHTF #10-16 X 1/2 B
7	0G7445	1	EYE HASP CNTRL PANEL
8	0J7120A	1	CONTROL BOX
	0J7120B	1	CONTROL BOX (17-20KW)
9	0G7568	1	CB 0015A 1P 120V S BQ1 LB (17-20KW)
10	0E7886B	1	CB 0035A 2P 240V S BQ2 LB (8KW)
	0E7886E	1	CB 0050A 2P 240V S BQ2 LB (11KW)
	0E7886K	1	CB 0050A 2P 240V S BQ2 LB (13KW)
	0E7886F	1	CB 0050A 2P 240V S BQ2 LB (14KW)
	0E7886J	1	CB 0050A 2P 240V S BQ2 LB (17KW)
	0E7886M	1	CB 0050A 2P 240V S BQ2 LB (20KW)
11	0E4261A	1	OUTLET, 15A GFCI DUPLEX WHITE (17-20KW)
12	0G7621	1	SCREW HH HI-LO M4.2 X 10MM
	0G7621	3	SCREW HH HI-LO M4.2 X 10MM (17-20 KW)
13	0G7714	1	ASSY PCB TRI LED DISPLAY
14	0G7537	1	CB BRACKET CONTROL BOX 2P BQ
15	0G7717	5	SCREW REDUCED HH HI-LO M6X10M
16	0J7311	1	SHIELD CIRCUIT BREAKER BOX
17	0K0307	1	COVER CUST CONNECT
18	051716	4	NUT HEX M5-0.8 G8 CLEAR ZINC
19	0K2888	2	GROUND BAR (4) 4-14 AWG CONN
20	0E3969	4	SCREW PPHM M3-0.5 X 30
21	0H7853	1	TERM BLOCK 3P UL 12-20AWG
22	0K1146	1	TERM BLOCK 5P UL 12-20AWG LBL
23	0K0106	1	CUSTOMER CONN SHELF
24	0G8058	2	SCREW PPHM M3-0.5 X 16 SEMS (11-20KW)
25	0K2098	1	RELAY 12V 30A SPST PILOT DUTY (11-20KW)
26	0J8939	1	BACK CONTROLLER SUPPORT BRACKET
27	090388	2	SCREW HHTT M6-1.0 X 12 ZINC
28	0K2944	1	HARNESS (8KW) (NOT SHOWN)
	0J9457	1	HARNESS (11-20KW) (NOT SHOWN)
29	0K0258	1	RESISTOR (NOT SHOWN)
30	0K1940	1	COVER, LED
31	0K0479	1	GASKET, CIRCUIT BREAKER BOX