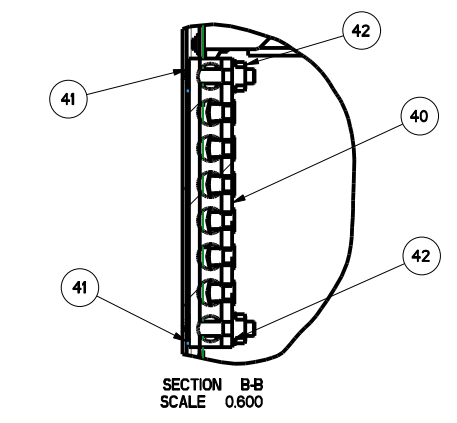
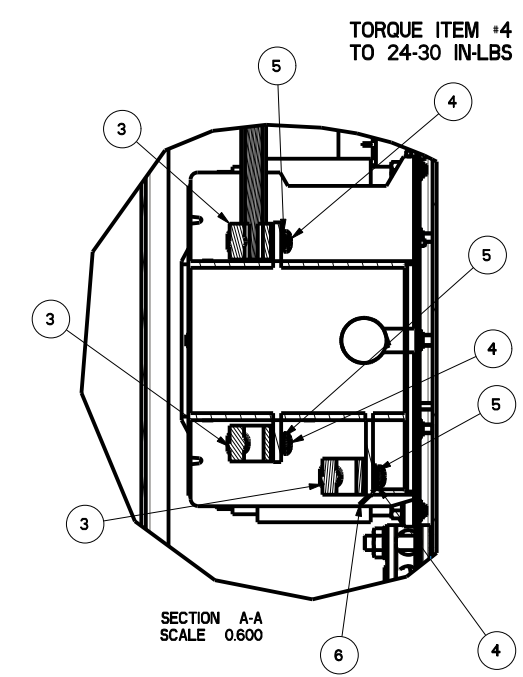


SH	I/I	REV	B	ITEM #	PART #	QTY	DESCRIPTION
				1	0C2237	1	XFRSW HSB 100A 2P 250V
				2	074908	6	SCREW HHTT M5-0.8 X 10 BP
				3	077033	6	LUG SLDLSS 1/0-#14X9/16 AL/CU
				4	0G7624	6	SCREW PPHM #10-32 X 5/16
				5	022152	6	WASHER LOCK #10
				6	074138	1	LUG DIS QK N1-S 10X45 DEG BR/T
				7	0E7886H	1	CB 0100A 2P 240V S BQ2 LB
				8	0E7890	1	BRKT CB MTG BACK
				9	0G5780A	1	ASSY WIRE 2AWG 5.375" #N1A BLK
				10	0G5780B	1	ASSY WIRE 2AWG 6.875" #N2A BLK
				11	0A1495	8	SCREW HHTT M4-0.7 X 10 BP
				12	0K1167	1	WIRE NEUTRAL TO GROUND CONNECTION
**				13	0K0103	1	RELAY PNL 12VDC DPDT 10A@240VA
**				14	0D2572	1	FUSEBLOCK 30A 600V 3POS W/SQ
**				15	073590A	3	FUSE 5A X BUSS
**				16	0D7393T	1	TERM BLOCK 3P UL 12-20AWG
				17	0F2659	2	SCREW HHTT M3-0.5 X 6 BP
				18	0K0124	2	SCREW PHTT M3-0.5 X 25
				19	0K0108	1	ASSY-NEUT BLK 100A
				20	090388	2	SCREW HHTT M6-1.0 X 12 ZINC
				21	026902	1	SCREW HHTT #8-32 X 1/4 CZ
				22	0K01120ALOR	1	ENCLOSURE 100/200A XFER SW_RAW
				23	0K01130ALOR	1	COVER 100A XFER SWITCH_INST_RAW
				24	0K0114	1	SUBPLATE, 100/200A XFER SW
				25	0K11120ALOR	1	COVER INSIDE 100A SE GRAY_RAW
				26	0K1119	1	RISER 100A SERV ENT
*				27	0K1098	1	DECAL RTS TRANSFER SW GENERAC
*				28	0K1736A	1	DECAL, XFER SW SE 100A 120/240
				29	0E3484	1	DECAL WARN MANUAL OPER HANDLE
				30	0F9969	1	DECAL UTILITY DISCONNECT
				31	0K1018	1	DECAL, NEUTRAL CONNECTION
				32	0K1738	1	DECAL TEST SEQUENCE 100-200A SE
				33	0H7917	1	DECAL CUSTOMER CONN RTS
				34	0D3587	1	DECAL, FUSE REPLACEMENT
				35	0G3259	1	DECAL TERMINAL SHOCK HZD BI
				36	0G3274	1	DECAL LIVE CIRCUIT ENG/FRN/SPN
				37	0H6389	1	DECAL UTILITY LOAD SENSE 240V
				38	0H7274	1	DECAL NEC COMPLIANCE
				39	0E7213	1	SCREW THUMB 1/4-20 X1/2 W/SHLD
				40	0J8202	1	LUG SLDLSS 2/0-#14X#10-32X.125
				41	026850	2	WASHER LOCK EXT 1/4 STL
				42	0G8411	6	NUT HEX FL WHIZ 1/4-20
				43	085889	1	NUT HEX 1/4-20 SS
				44	022473	4	WASHER FLAT 1/4-M6 ZINC
				45	0E6193	1	BRACKET, ARM EXTENDER
				46	0D6162	2	RIVET POP .156 X .362 AL
***				47	0E6155	1	PIN ARM EXTENDER
				48	0H7270	1	CHANNEL SNAPTRACK 76.2 X 101.2
				49	0K0220A	1	ASSY LOAD MANAGEMENT CONTROLLER PROGRAMMED
				50	0K0122	1	WIRING HARNESS HSB (NOT SHOWN)
				51	0E6303	1	WIRE-A
				52	0E6303C	1	WIRE-EI
				53	058000E	1	NUT TRIC 1/4-20 X .525



WIRE TIGHTENING TORQUE 50 IN-LBS

TORQUE ITEM #4 TO 24-30 IN-LBS

ITEM #44 ONE MOUNTED UNDER SUBPLATE ITEM #24 4 PLACES

NEUTRAL / GROUND WIRE CONNECTION TORQUE SETTINGS GROUND / NEUTRAL 50IN-LBS

CENTER DECAL APPROXIMATELY 6-1/4" DOWN FROM TOP OF COVER USING ASSEMBLY TEMPLATE

---SERIAL NUMBER AND FRONT DECAL PER MODEL
---SUPPLIED WITH HARNESS ITEM #50
---SUPPLIED WITH TRANSFER SWITCH

REFERENCE DRAWINGS
 0K0135 SCHEMATIC/WIRING DIAGRAMS
 0F6778 CARTON 30"5 X 14"2 X 7"8
 0H7275 TEST PROC HSB XFRSW
 0K0116 KIT ENCL 100 SE AL

PART NUMBER	DESCRIPTION	ITEM # 28	ITEM # 27
0K0164	ASSEMBLY 100A 120/240 SE	0K1736B	PER MODEL
0K0164A	EXPLODED VIEW DRAWING	N/A	N/A
0K0164B	ASSEMBLY 200A 120/240 SE	0J3804A	0K1098
0K0164C	ASSEMBLY 200A 120/240 SE	0J3804A	0K1274

DRAWING CREATED FROM PROVISIONAL 3D FILE. ECO MODIFICATION TO BE APPLIED TO 30A10 MODEL ONLY.
 8/12 -A- RELEASED FOR PRODUCTION
 4/15/14 J-B416-B REMOVED ITEM #2 0C2230 DECAL TRANSFER SWITCH ID 100A AND RENUMBERED

GENERAL TOLERANCES UNLESS NOTED		THIRD ANGLE PROJECTION	
ALL XX	± 0.4 MM		
XXX	± 0.6 MM		
XXXX	± 0.8 MM		
ALL ANG	± .5		
INTERPRET DIM AND TOL PER ASME Y14.5M-1994			
▲	DATUM INDICATING SYMBOL	⊥	PERPENDICULARITY
◆	POSITION	∠	ANGULARITY
◌	PROFILE OF A SURFACE	↺	CIRCULAR RUNOUT
▭	FLATNESS	∥	PARALLELISM

GENERAC

APPROVALS: MJB 8/8/12, JJJ 12/3/12, CL 1/9/13, GDW 12/4/12

DATE: 8/8/12

TITLE: ASSEMBLY DWG 2-POLE 100A 120/240V SE

MATERIAL: GENERAC MATL, PAINT SPECIFICATION SURFACE FINISH

SIZE: D, CAGE NO: N/A, DWG NO: 0K0164\$, REV: B

FIRST USE: 2013 RTS, ELECTRONICALLY APPROVED INSIDE WINDCHILL, LIFECYCLE STATE: In Work, SCALE: 0.400, WT-BQ490605.00, SHEET 1 of 1