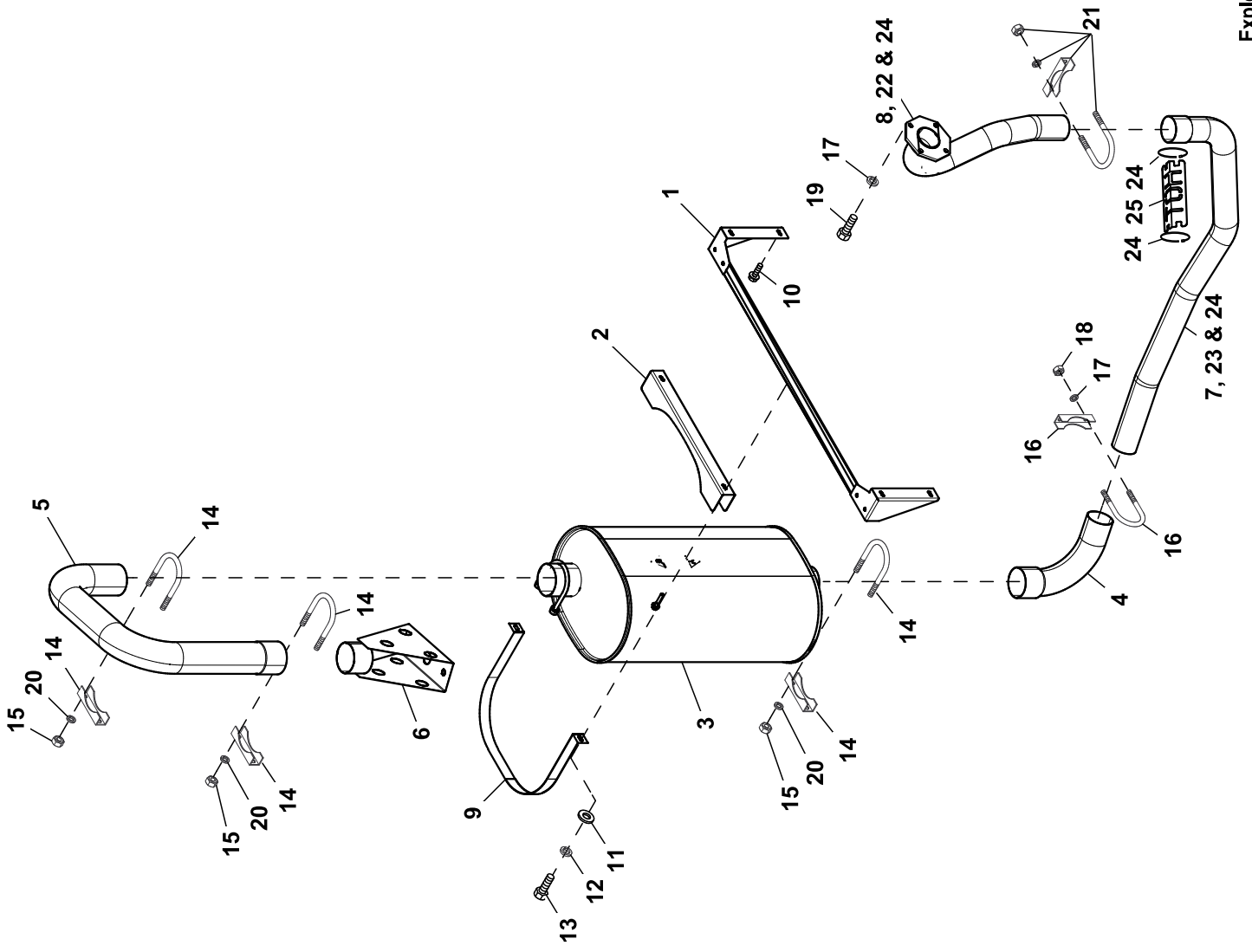


GROUP F



EXPLODED VIEW: EV MUFFLER EXH 2.4L G2 TURBO**DRAWING #: 0H3357****GROUP F**

ITEM	PART#	QTY.	DESCRIPTION
(1)1	0G86870ST03	1	BRACKET MUFFLER
2	0G8686	1	BRACKET STIFFENER
3	0K7782	1	MFLR 8.5"X11.5"X19" 2.5"IN/OUT
4	0G0113	1	EXHAUST ELBOW
5	0F2808D	1	EXHAUST PIPE
6	0G0007	1	DIFFUSER EXHAUST WELDMENT
7	0H3371	1	PIPE EXHAUST 2.4L 60KW
8	0H3372	1	UPPER EXHAUST PIPE ASM
9	0G8685	1	STRAP MUFFLER
10	0C2454	4	SCREW THF M6-1 X 16 N WA Z/JS
11	022473	2	WASHER FLAT 1/4-M6 ZINC
12	022097	2	WASHER LOCK M6-1/4
13	049721	2	SCREW HHC M6-1.0 X 35 G8.8 BLK
14	080762	3	BOLT U 3/8-16 X 2.62
15	022241	6	NUT HEX 3/8-16 STEEL
16	036797	1	BOLT U 5/16-18 X 2.25
17	070006	6	WASHER LOCK M8 SS
18	022259	2	NUT HEX 5/16-18 STEEL
19	0A6928	4	SCREW HHC M8-1.25 X 20 SS
20	022237	6	WASHER LOCK 3/8
21	0H1310	1	BOLT U 3/8-16 X 2.30 W/SADDLE
(2)22	0F3794	1	EXHAUST BLANKET 600MM LONG (NOT SHOWN)
(2)23	0G3770	1	EXHAUST BLANKET 737MM (NOT SHOWN)
24	0K1526	5	TIE WRAP, 14.3" STAINLESS STL (NOT SHOWN)
25	0D3701A	1	PLATE HOT 50 X 110

NOTES (UNLESS OTHERWISE SPECIFIED):

(1) SHEET METAL PARTS LISTED IN THE BOM TABLE ARE REPRESENTING GENERIC PARTS (NO COLOR)

- MANUFACTURING: FOR CORRECT MATERIAL AND COLOR REFER TO XA BOM.
- CUSTOMER: WHEN ORDERING REPLACEMENT PARTS ENTER BASE NUMBER (FIRST 6 DIGITS ONLY) IN THE SYSTEM FOR CORRECT MATERIAL AND COLOR (FOR REFERENCE SEE GUIDELINE 0H7169).

(2) TWO TIE WRAPS ARE INCLUDED WITH EACH EXHAUST BLANKET, ONE AT EACH END.