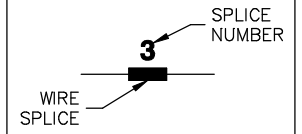
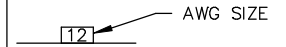


## LEGEND

AFS - AIR/FUEL SOLENOID	HVR - HIGH VOLTAGE RECEPTACLE 12-PIN
ALT - DC CHARGE ALTERNATOR	J1 - ENGINE CONTROL MODULE 35-PIN CONNECTOR
AS - ALTERNATOR STATOR	J2 - ENGINE CONTROL MODULE 23-PIN CONNECTOR
BA - BRUSH ASSEMBLY	LFP - LOW FUEL PRESSURE SWITCH
BAT - BATTERY	LOS - LOW OIL PRESSURE SWITCH
BWR - BASIC WIRELESS RECEPTACLE	LVP - LOW VOLTAGE PLUG 8-PIN (BULKHEAD)
CAR - COMMON ALARM RELAY	LVR - LOW VOLTAGE RECEPTACLE 8-PIN
CB - CIRCUIT BREAKER	MLCB - MAIN LINE CIRCUIT BREAKER
CYL - CYLINDER IGNITION COIL	MOV - METAL OXIDE VARISTOR
DB - DIODE BRIDGE	MP - MAGNETIC PICKUP
EC - EMISSIONS CONNECTOR	NB - NEUTRAL BLOCK
F1 - FUSE INLINE (25A ATO)	OS - OXYGEN SENDER
FS - FUEL SOLENOID	R1 - RESISTOR
FSP - FUEL SOLENOID PLUG	SC - STARTER CONTACTOR
FSR - FUEL SOLENOID RECEPTACLE	SM - STARTER MOTOR
GND - GROUND CONNECTION	TB - TERMINAL BLOCK, CAGE CLAMP
GOV - ELECTRONIC GOVERNOR ACTUATOR	WLS - COOLANT LEVEL SENDER
HVP - HIGH VOLTAGE PLUG 12-PIN (BULKHEAD)	WTS - COOLANT TEMPERATURE SENDER

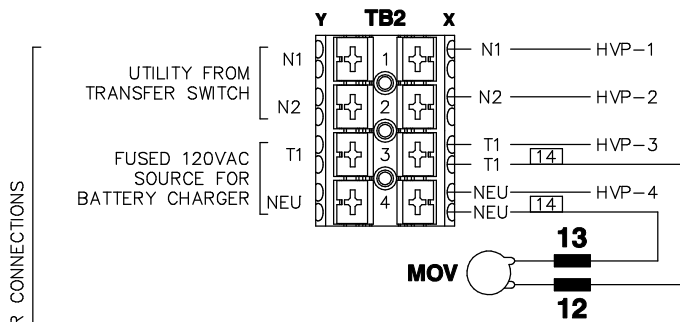
NOTE: ALL WIRES 18 AWG 300V UL LISTED UNLESS SHOWN OTHERWISE



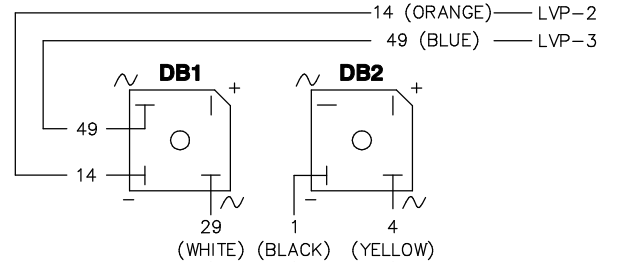
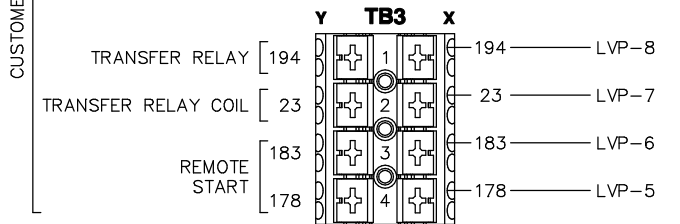
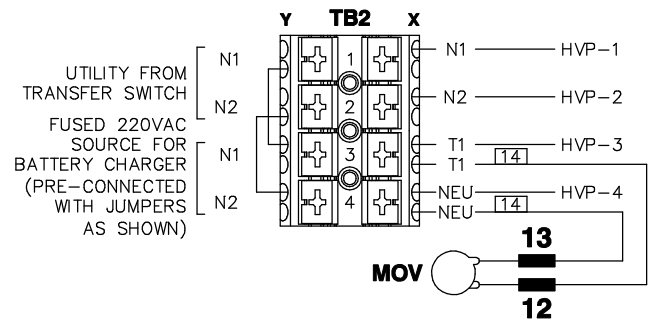
NOTE: ALL WIRES ON THIS PAGE ARE 600V RATED

## COMPONENTS LOCATED IN CUSTOMER CONNECTION BOX

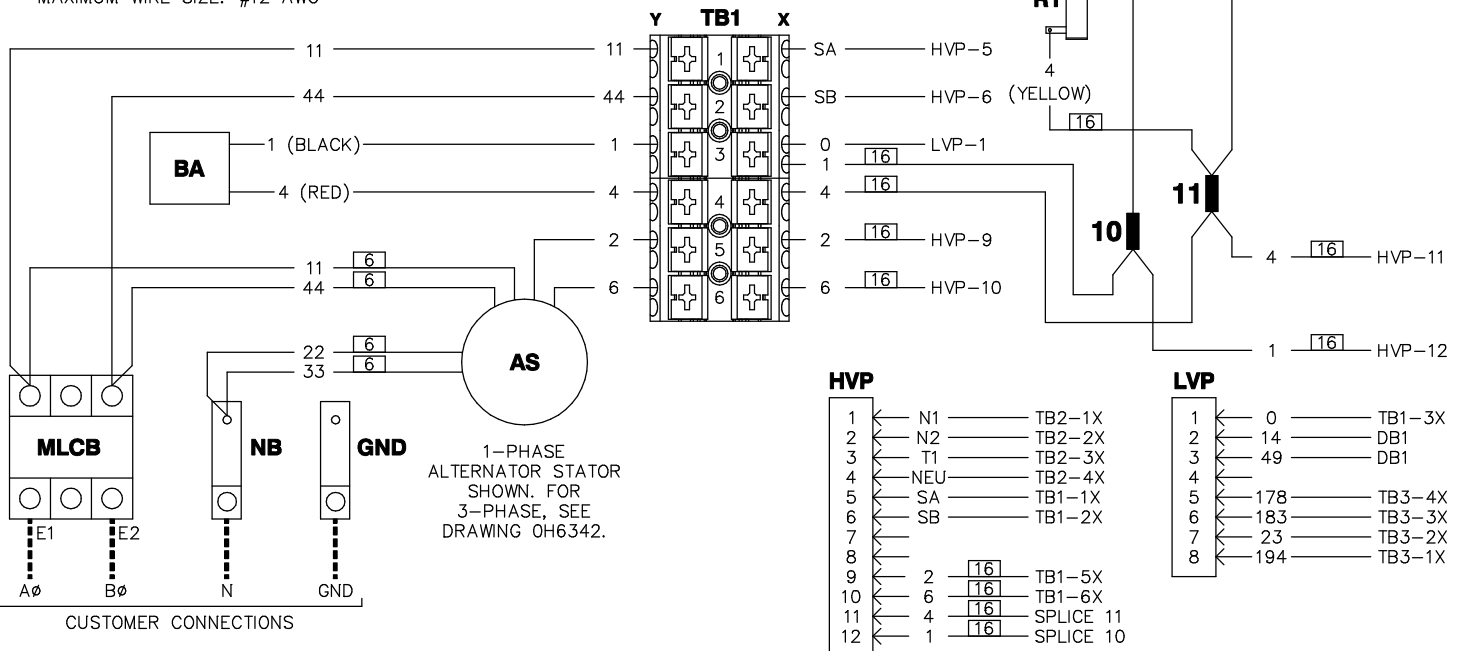
### 60HZ UNITS



### 50HZ (M-VOLTAGE, 220VAC)



NOTE:  
FOR FIELD WIRING TO CUSTOMER CONNECTIONS  
(TERMINAL BLOCKS)  
MAXIMUM WIRE SIZE: #12 AWG



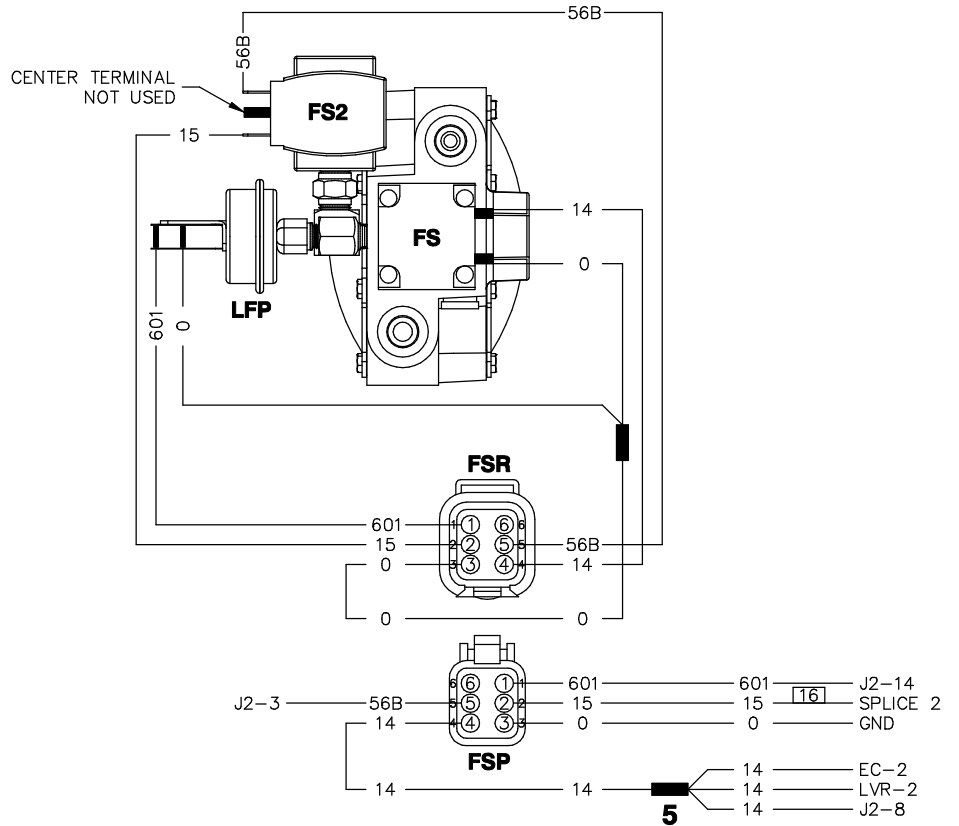
<b>HVP</b>	1	N1	TB2-1X
	2	N2	TB2-2X
	3	T1	TB2-3X
	4	NEU	TB2-4X
	5	SA	TB1-1X
	6	SB	TB1-2X
	7		
	8		
	9	2	TB1-5X
	10	6	TB1-6X
	11	4	SPLICE 11
	12	1	SPLICE 10

<b>LVP</b>	1	0	TB1-3X
	2	14	DB1
	3	49	DB1
	4		
	5	178	TB3-4X
	6	183	TB3-3X
	7	23	TB3-2X
	8	194	TB3-1X

## COMPONENTS LOCATED ON ENGINE

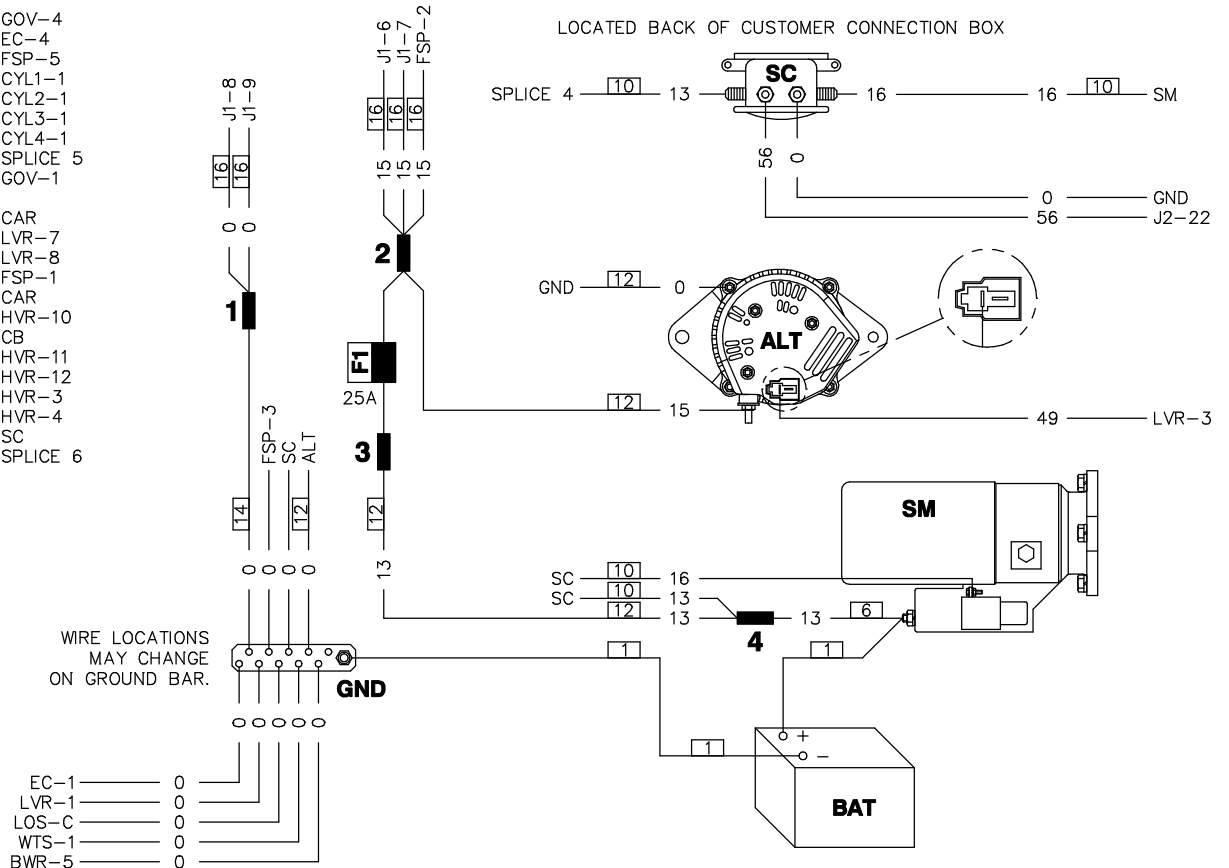
**J1**

1	178	LVR-5
2		
3		
4	817	BWR-2
5	818	BWR-3
6	15	SPLICE 2
7	15	SPLICE 2
8	0	SPLICE 1
9	0	SPLICE 1
10	0	MP1-2
11	0A	MP2-2
12	820	BWR-1
13	SA	HVR-5
14	183	LVR-6
15	SHLDA	MP2-1
16	SHLD	MP1-1
17	819	BWR-4
18	767	GOV-2
19	765	GOV-3
20	766	GOV-6
21	68	WTS-2
22	79A	MP2-3
23	79	MP1-3
24	SB	HVR-6
25	N1	HVR-1
26	N2	HVR-2
27		
28		
29		
30		
31	573A	WLS-A
32	573	WLS-B
33	86	LOS-NC
34	804	EC-6
35	805	EC-5



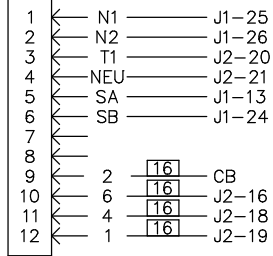
**J2**

1	770	GOV-4
2	808	EC-4
3	56B	FSP-5
4	451	CYL1-1
5	452	CYL2-1
6	453	CYL3-1
7	454	CYL4-1
8	14	SPLICE 5
9	771	GOV-1
10		
11	209	CAR
12	23	LVR-7
13	194	LVR-8
14	601	FSP-1
15	210	CAR
16	6	HVR-10
17	162	CB
18	4	HVR-11
19	1	HVR-12
20	T1	HVR-3
21	NEU	HVR-4
22	56	SC
23	15A	SPLICE 6

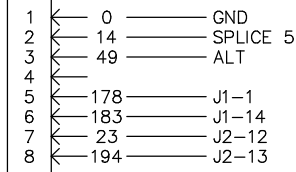


## COMPONENTS LOCATED ON ENGINE

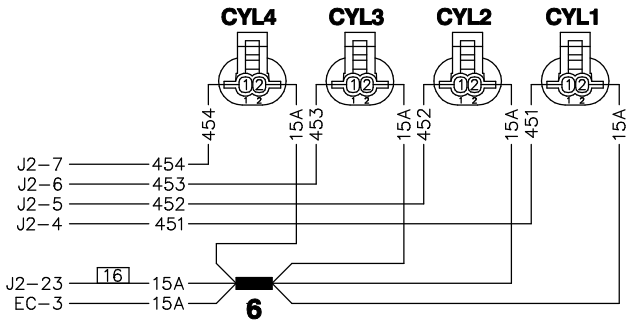
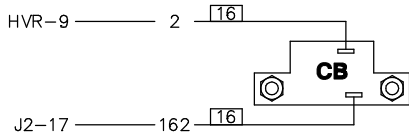
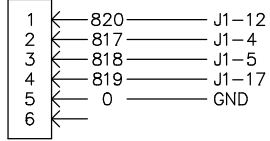
### HVR



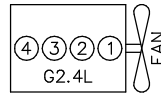
### LVR



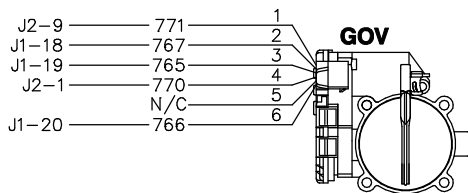
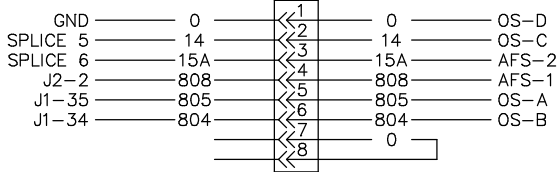
### BWR



ENGINE BLOCK TOP VIEW



### EC



## COMPONENTS LOCATED ON ENGINE

