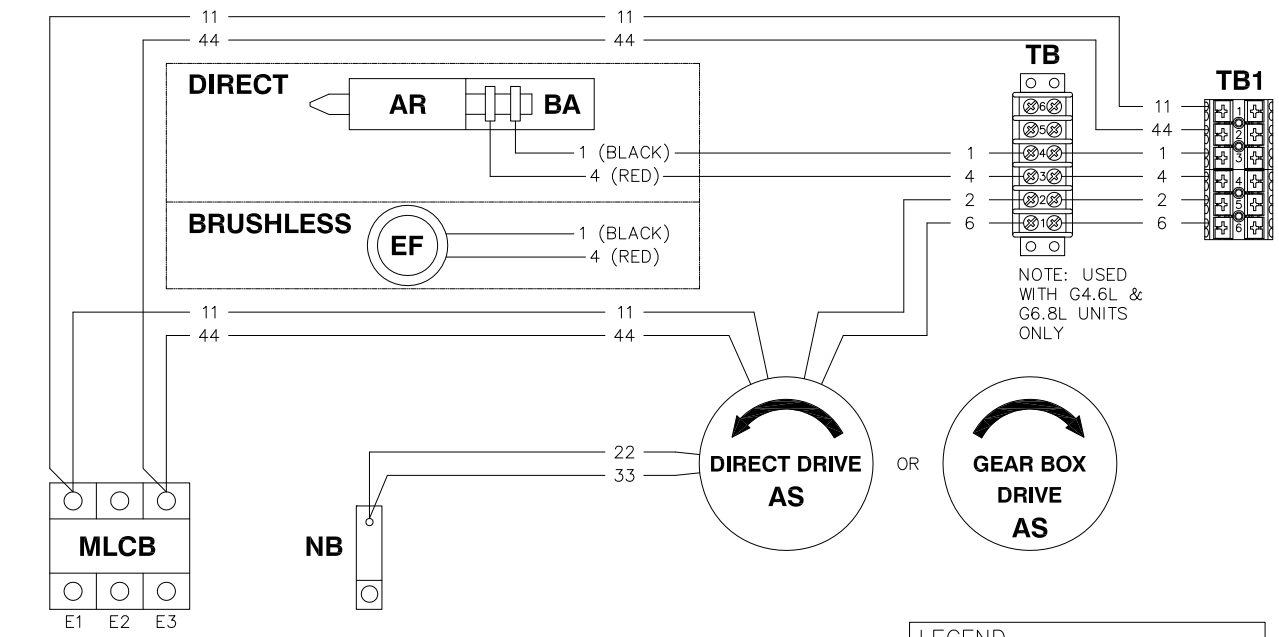


OPTION 1 - SINGLE PHASE, CPL CONTROL PANEL (A/M)



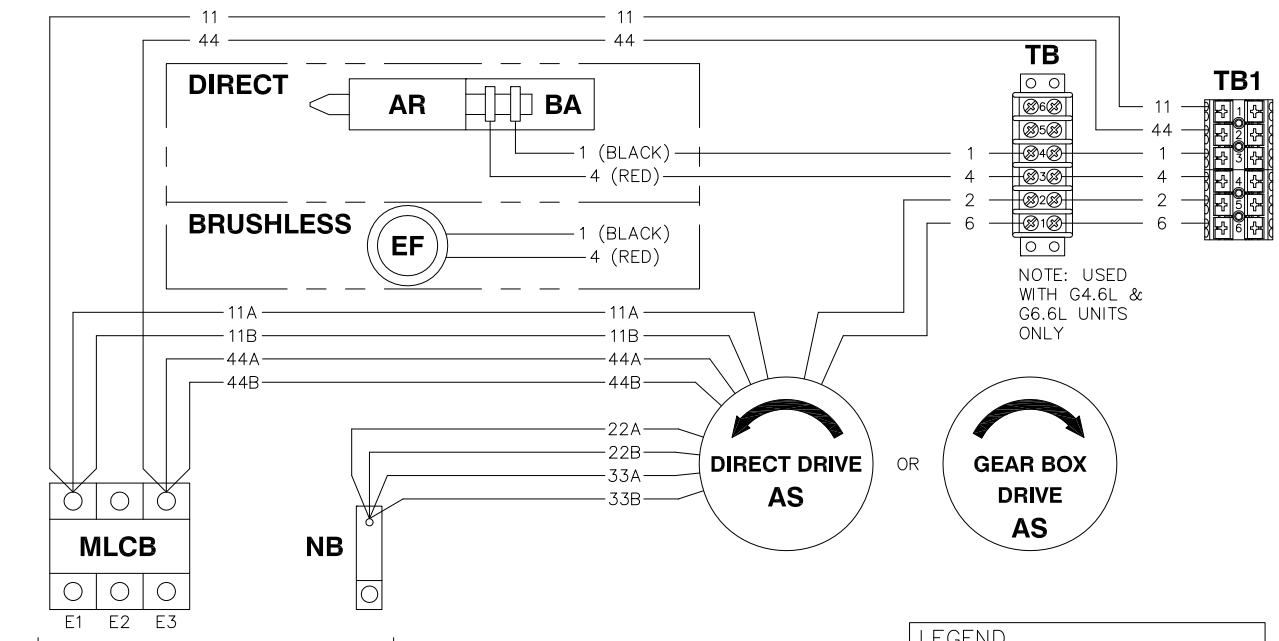
GENERATOR OUTPUT CUSTOMER CONNECTIONS
 E1 TO E2] *240VAC OR 220VAC
 E1 TO NB] *120VAC OR 110VAC
 E2 TO NB]

*NOTE: THE 8TH DIGIT OF THE MODEL NUMBER SPECIFIES OUTPUT VOLTAGE
 "A" = 120/240VAC 60HZ 1Ø
 "M" = 110/220VAC 50HZ 1Ø

LEGEND

- AR - ALTERNATOR ROTOR
- AS - ALTERNATOR STATOR
- BA - BRUSH ASSEMBLY
- EF - EXCITER FIELD
- MLCB - MAIN LINE CIRCUIT BREAKER
- NB - NEUTRAL BLOCK
- TB_ - TERMINAL BLOCK

OPTION 2 - SINGLE PHASE, CPL CONTROL PANEL 8-WIRE (A/M)



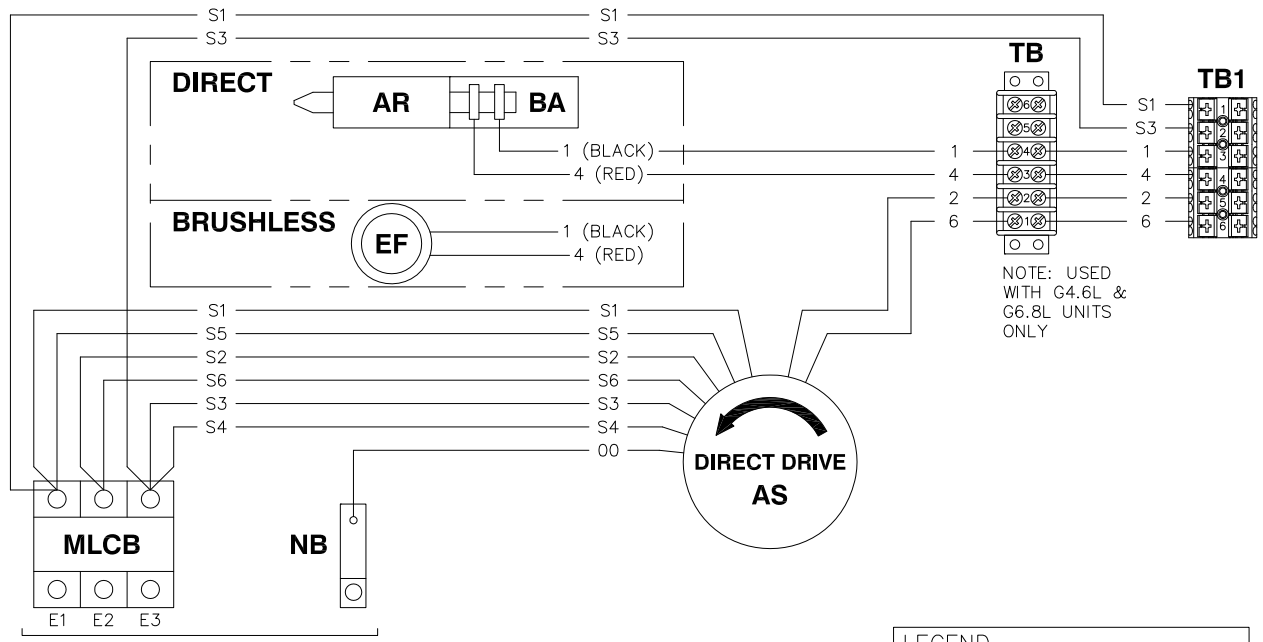
GENERATOR OUTPUT CUSTOMER CONNECTIONS
 E1 TO E2] *240VAC OR 220VAC
 E1 TO NB] *120VAC OR 110VAC
 E2 TO NB]

*NOTE: THE 8TH DIGIT OF THE MODEL NUMBER SPECIFIES OUTPUT VOLTAGE
 "A" = 120/240VAC 60HZ 1Ø
 "M" = 110/220VAC 50HZ 1Ø

LEGEND

- AR - ALTERNATOR ROTOR
- AS - ALTERNATOR STATOR
- BA - BRUSH ASSEMBLY
- EF - EXCITER FIELD
- MLCB - MAIN LINE CIRCUIT BREAKER
- NB - NEUTRAL BLOCK
- TB_ - TERMINAL BLOCK

OPTION 3 - THREE PHASE DELTA, CPL CONTROL PANEL, DIRECT DRIVE 7-WIRE 120/240V (J)



NOTE: USED WITH G4.6L & G6.8L UNITS ONLY

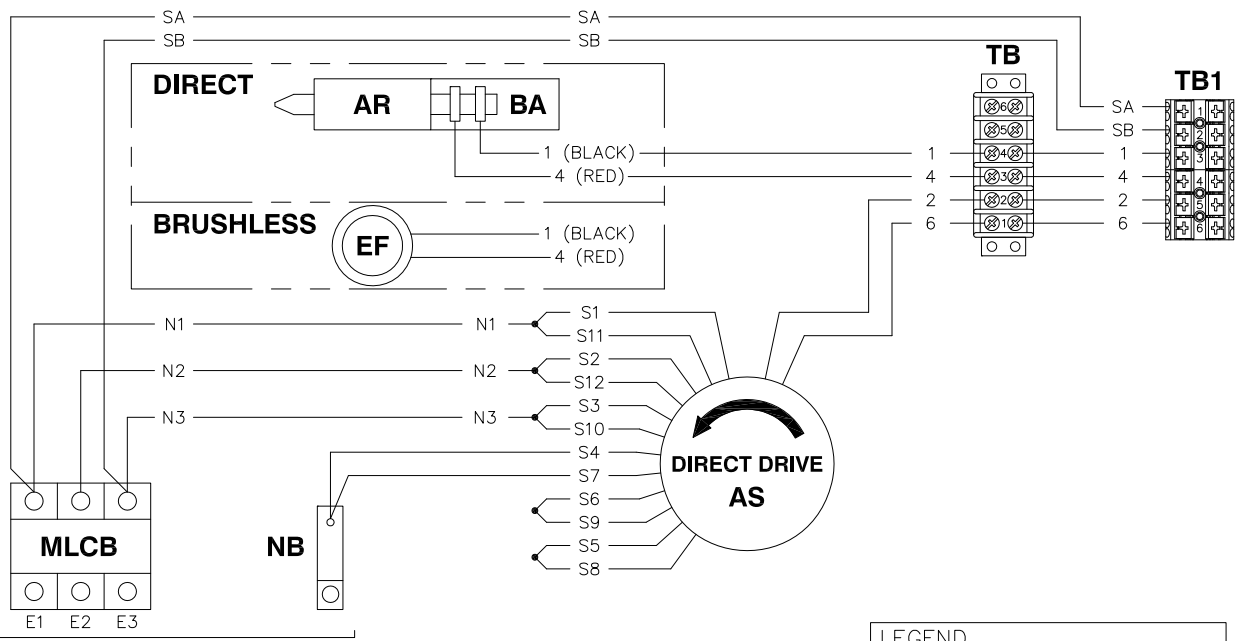
GENERATOR OUTPUT CUSTOMER CONNECTIONS

- E1 TO E2] *240VAC
- E2 TO E3]
- E1 TO E3]
- E2-NB = *208VAC
- E1 OR E3 TO NB = *120VAC

*NOTE: THE 8TH DIGIT OF THE MODEL NUMBER SPECIFIES OUTPUT VOLTAGE
"J" = 120/240VAC 60HZ 3Ø

LEGEND	
AR	- ALTERNATOR ROTOR
AS	- ALTERNATOR STATOR
BA	- BRUSH ASSEMBLY
EF	- EXCITER FIELD
MLCB	- MAIN LINE CIRCUIT BREAKER
NB	- NEUTRAL BLOCK
TB_	- TERMINAL BLOCK

OPTION 4 - THREE PHASE SERIES DELTA, CPL CONTROL PANEL, DIRECT DRIVE 12-WIRE 120/240V (J)



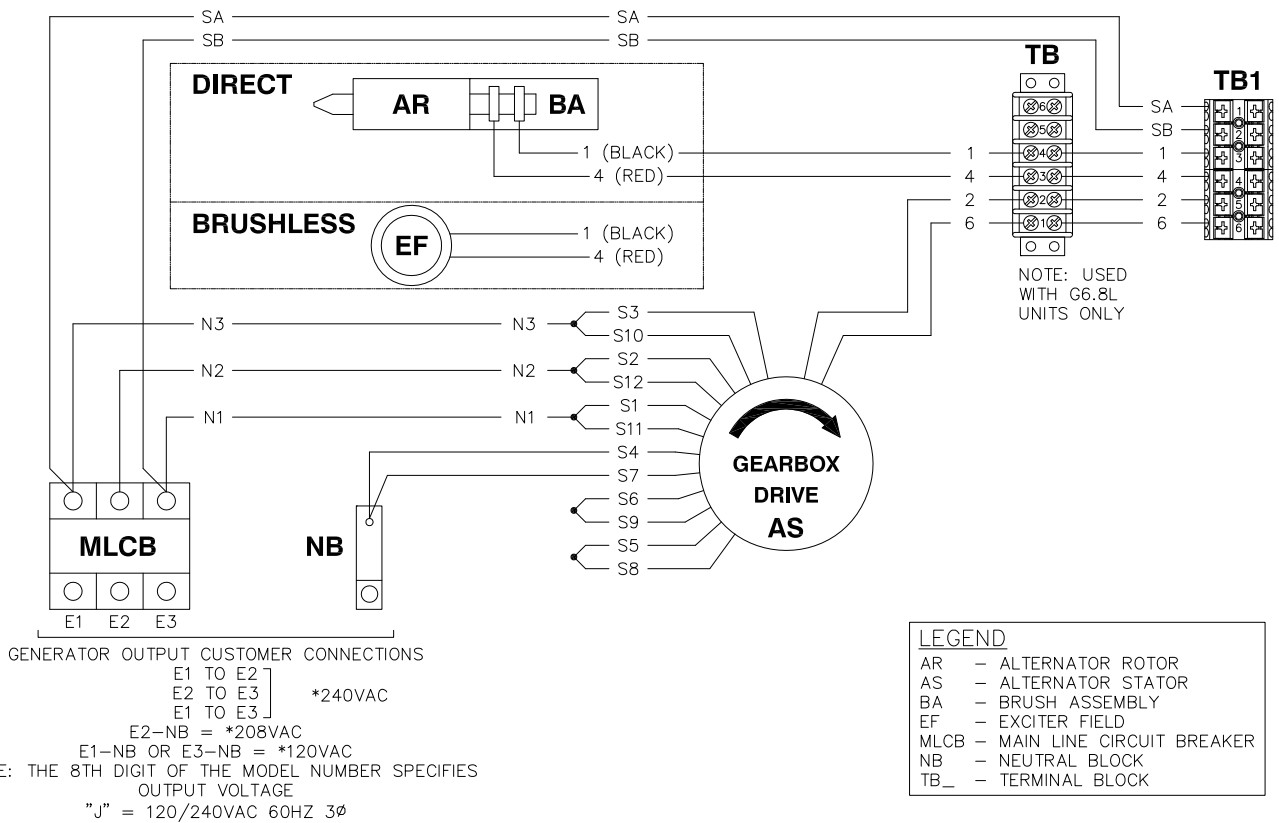
GENERATOR OUTPUT CUSTOMER CONNECTIONS

- E1 TO E2] *240VAC
- E2 TO E3]
- E1 TO E3]
- E2-NB = *208VAC
- E1-NB OR E3-NB = *120VAC

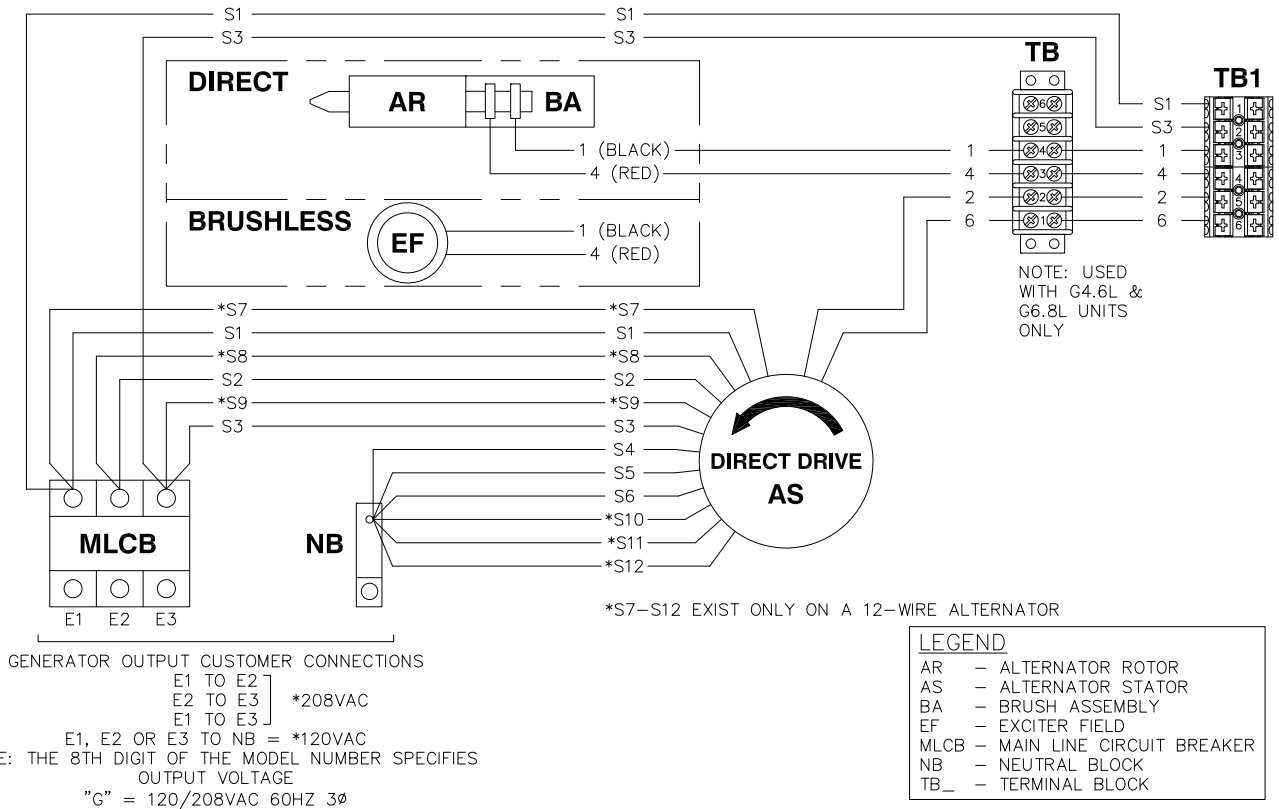
*NOTE: THE 8TH DIGIT OF THE MODEL NUMBER SPECIFIES OUTPUT VOLTAGE
"J" = 120/240VAC 60HZ 3Ø

LEGEND	
AR	- ALTERNATOR ROTOR
AS	- ALTERNATOR STATOR
BA	- BRUSH ASSEMBLY
EF	- EXCITER FIELD
MLCB	- MAIN LINE CIRCUIT BREAKER
NB	- NEUTRAL BLOCK
TB_	- TERMINAL BLOCK

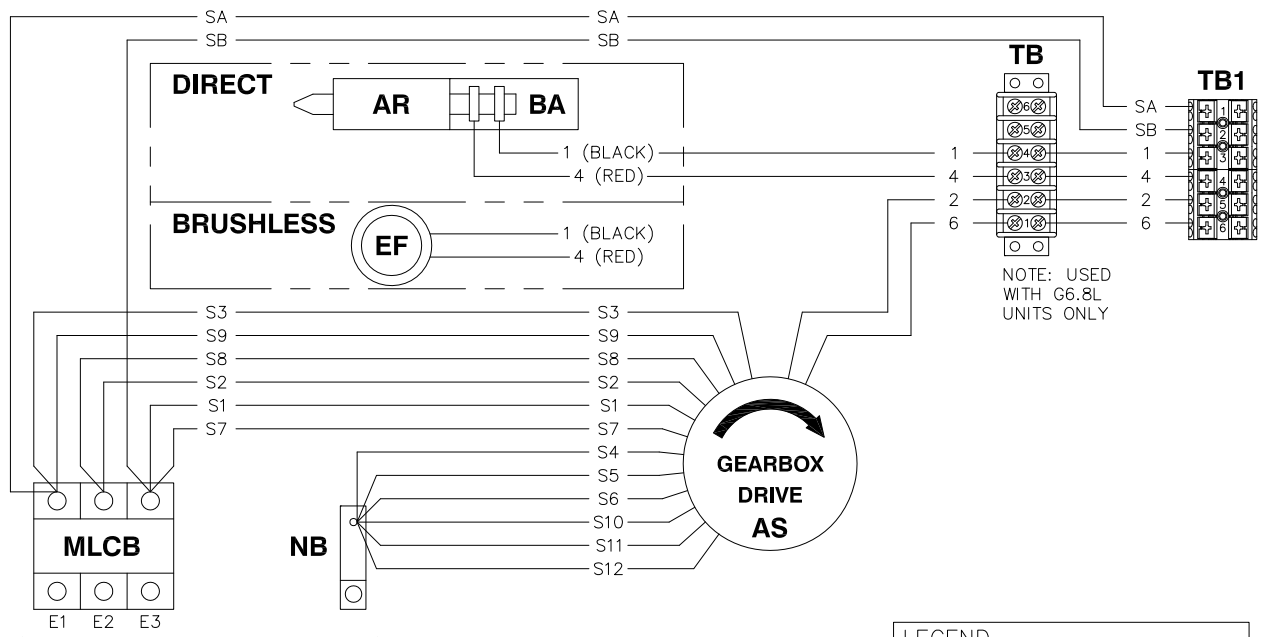
OPTION 5 - THREE PHASE SERIES DELTA, CPL CONTROL PANEL, GEARBOX (REVERSE ROTATION), 120/240V (J)



OPTION 6 - THREE PHASE, CPL CONTROL PANEL, DIRECT DRIVE 120/208V (G)



OPTION 7 - THREE PHASE, CPL CONTROL PANEL, GEARBOX (REVERSE ROTATION), 120/208V (G)



NOTE: USED WITH G6.8L UNITS ONLY

GENERATOR OUTPUT CUSTOMER CONNECTIONS

E1 TO E2]
E2 TO E3] *208VAC
E1 TO E3]

E1, E2 OR E3 TO NB = *120VAC

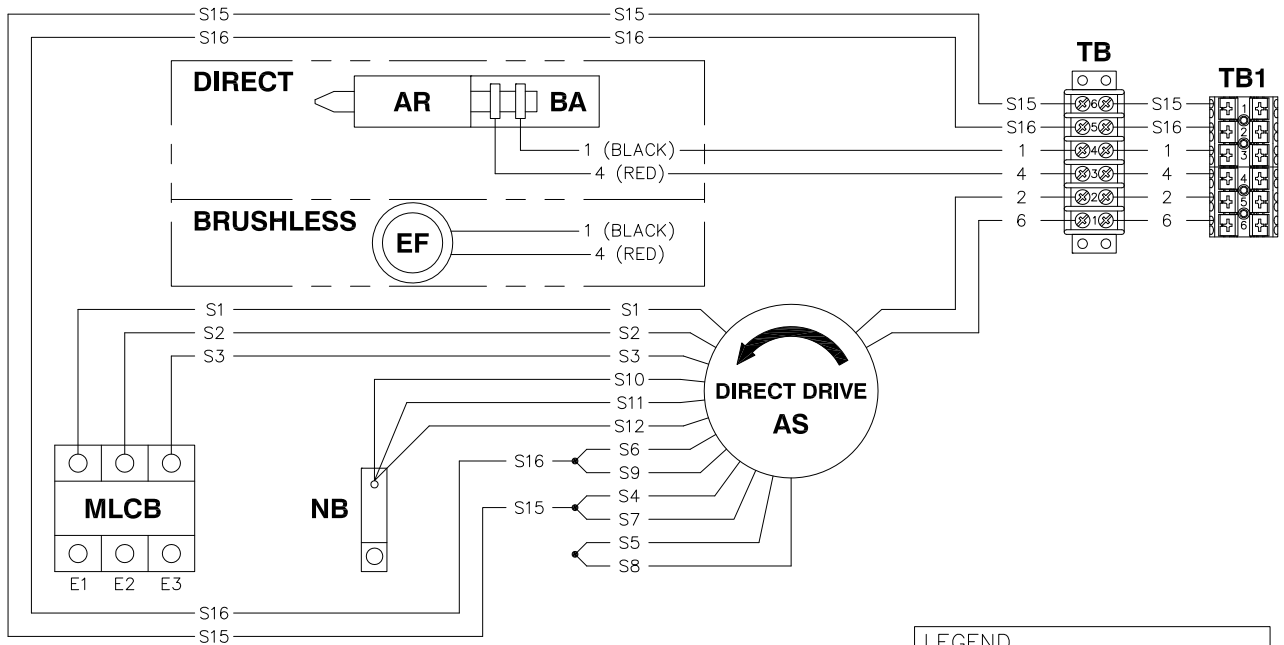
*NOTE: THE 8TH DIGIT OF THE MODEL NUMBER SPECIFIES OUTPUT VOLTAGE

"G" = 120/208VAC 60HZ 3Ø

LEGEND

- AR - ALTERNATOR ROTOR
- AS - ALTERNATOR STATOR
- BA - BRUSH ASSEMBLY
- EF - EXCITER FIELD
- MLCB - MAIN LINE CIRCUIT BREAKER
- NB - NEUTRAL BLOCK
- TB_ - TERMINAL BLOCK

OPTION 8 - THREE PHASE, CPL CONTROL PANEL, DIRECT DRIVE 12-WIRE 277/480V (K)



GENERATOR OUTPUT CUSTOMER CONNECTIONS

E1 TO E2]
E2 TO E3] *480VAC
E1 TO E3]

E1, E2 OR E3 TO NB = *277VAC

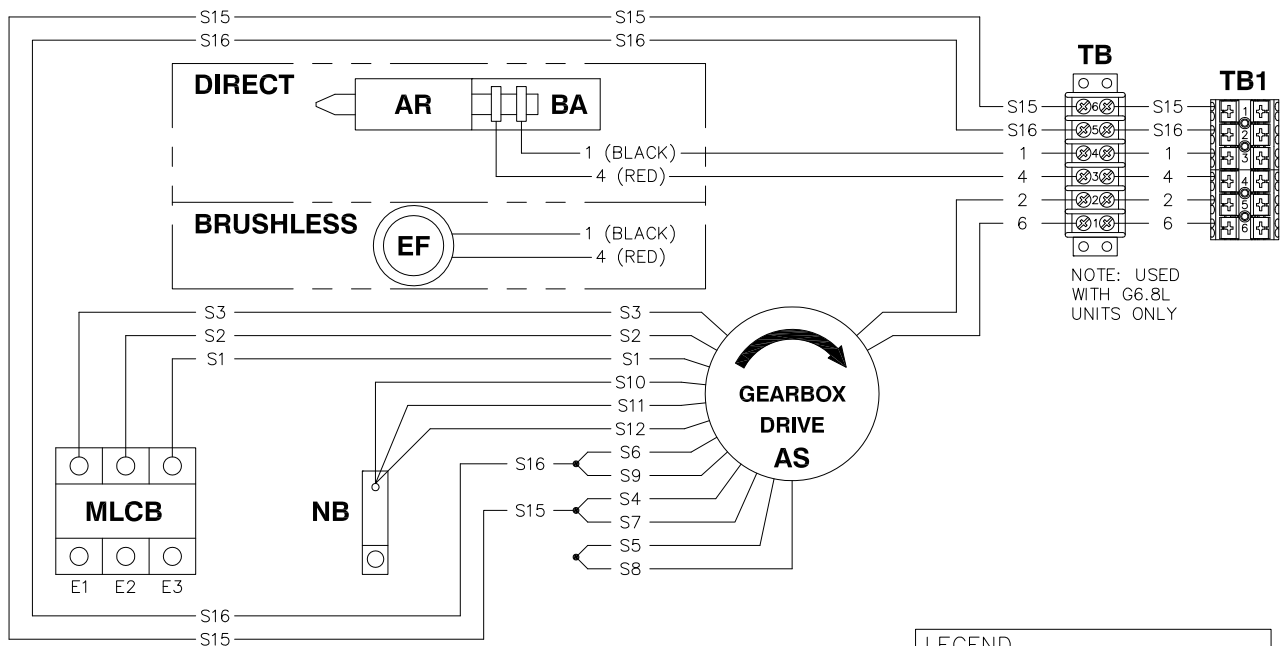
*NOTE: THE 8TH DIGIT OF THE MODEL NUMBER SPECIFIES OUTPUT VOLTAGE

"K" = 277/480VAC 60HZ 3Ø

LEGEND

- AR - ALTERNATOR ROTOR
- AS - ALTERNATOR STATOR
- BA - BRUSH ASSEMBLY
- EF - EXCITER FIELD
- MLCB - MAIN LINE CIRCUIT BREAKER
- NB - NEUTRAL BLOCK
- TB_ - TERMINAL BLOCK

OPTION 9 - THREE PHASE, CPL CONTROL PANEL, GEARBOX (REVERSE ROTATION), 277/480V (K)

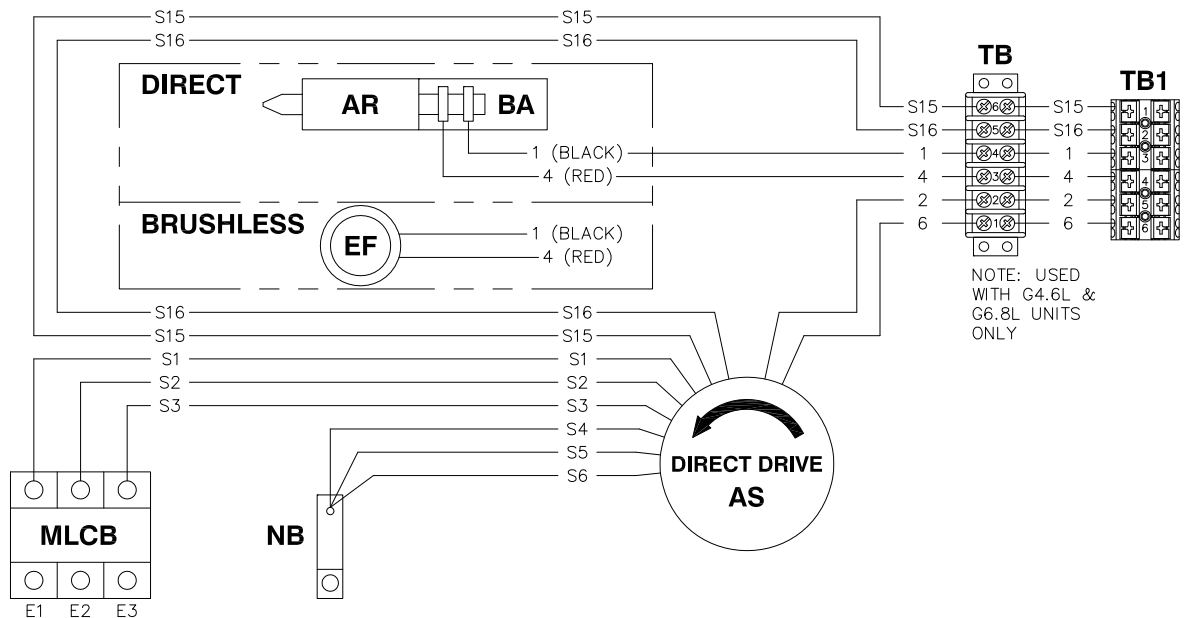


NOTE: USED WITH G6.8L UNITS ONLY

LEGEND	
AR	- ALTERNATOR ROTOR
AS	- ALTERNATOR STATOR
BA	- BRUSH ASSEMBLY
EF	- EXCITER FIELD
MLCB	- MAIN LINE CIRCUIT BREAKER
NB	- NEUTRAL BLOCK
TB_	- TERMINAL BLOCK

GENERATOR OUTPUT CUSTOMER CONNECTIONS
 E1 TO E2]
 E2 TO E3] *480VAC
 E1 TO E3]
 E1, E2 OR E3 TO NB = *277VAC
 *NOTE: THE 8TH DIGIT OF THE MODEL NUMBER SPECIFIES OUTPUT VOLTAGE
 "K" = 277/480VAC 60HZ 3Ø

OPTION 10 - THREE PHASE, CPL CONTROL PANEL, DIRECT DRIVE 6-WIRE 277/480V (K/R)



NOTE: USED WITH G4.6L & G6.8L UNITS ONLY

LEGEND	
AR	- ALTERNATOR ROTOR
AS	- ALTERNATOR STATOR
BA	- BRUSH ASSEMBLY
EF	- EXCITER FIELD
MLCB	- MAIN LINE CIRCUIT BREAKER
NB	- NEUTRAL BLOCK
TB_	- TERMINAL BLOCK

GENERATOR OUTPUT CUSTOMER CONNECTIONS
 E1 TO E2]
 E2 TO E3] *480VAC OR *400VAC
 E1 TO E3]
 E1, E2 OR E3 TO NB = *277VAC OR *231VAC
 *NOTE: THE 8TH DIGIT OF THE MODEL NUMBER SPECIFIES OUTPUT VOLTAGE
 "K" = 277/480VAC 60HZ 3Ø
 "R" = 231/400VAC 50HZ 3Ø