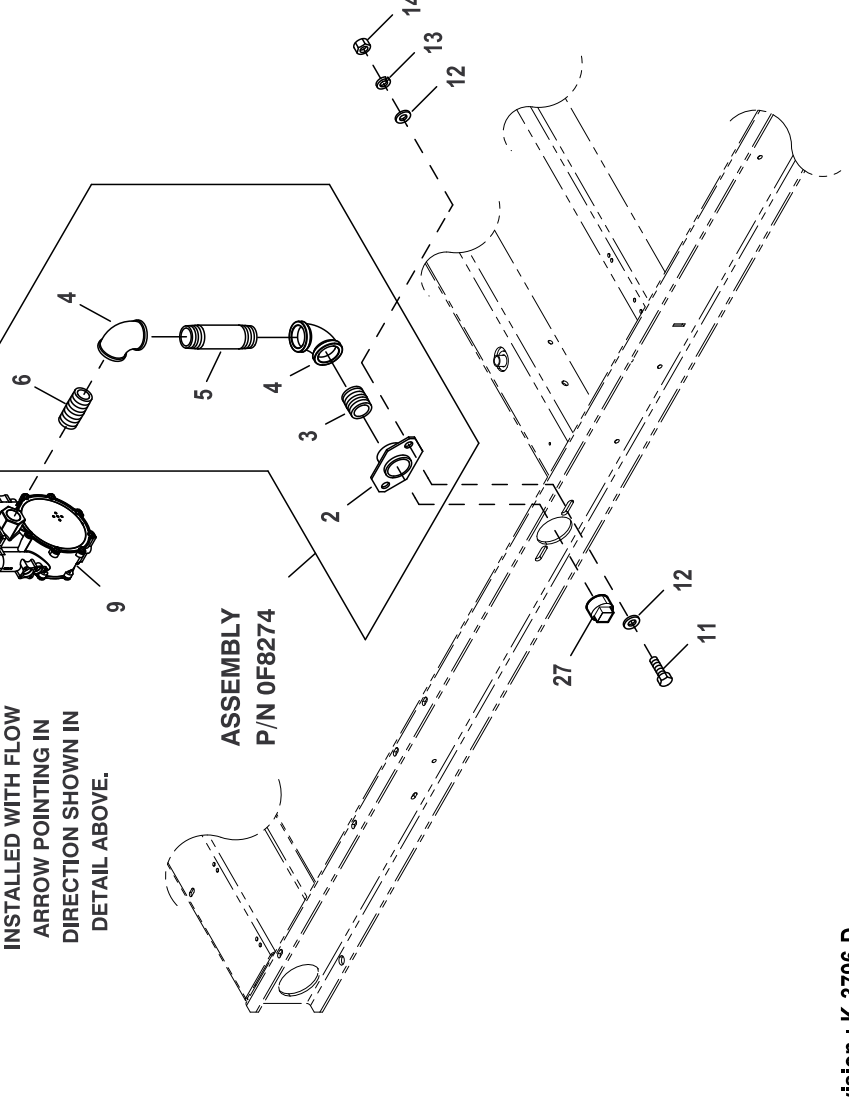
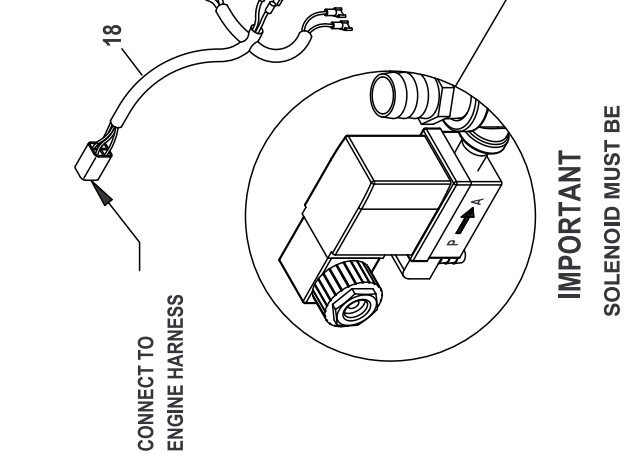
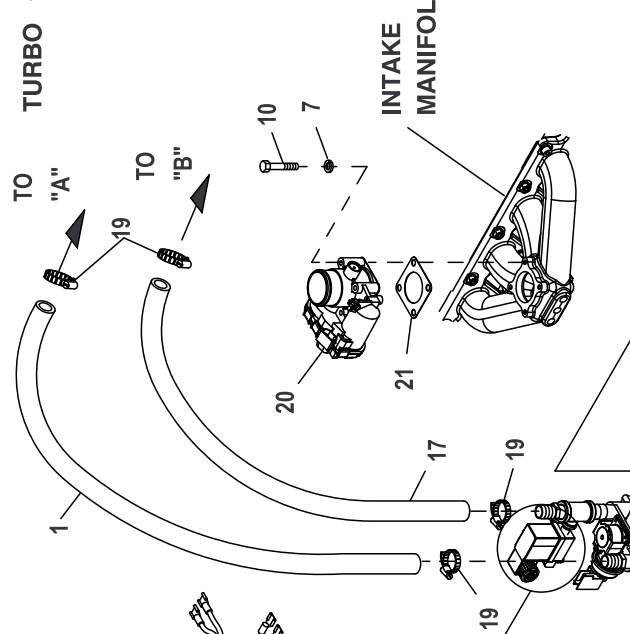
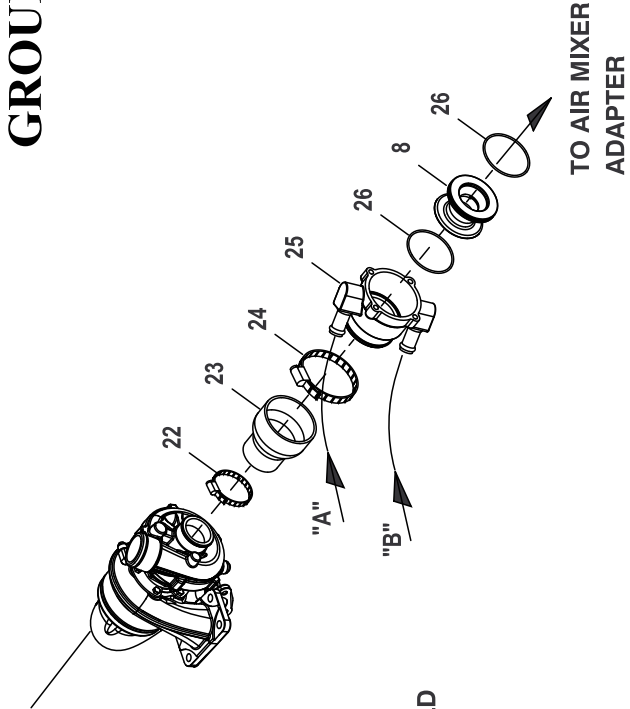


# GROUP E



**EXPLODED VIEW: EV FUEL SYSTEM LP 2.4L 60KW****DRAWING #: 0H7581A****GROUP E**

<b>ITEM</b>	<b>PART#</b>	<b>QTY.</b>	<b>DESCRIPTION</b>
1	059057	1	HOSE 3/4 ID SAE-30R2 (45"LG)
2	075580	1	FLANGE, FUEL INLET
3	026915	1	NIPPLE CLOSE 3/4 X 1.375
4	026812	2	ELBOW 90D 3/4NPT
5	0F8379	1	NIPPLE PIPE 3/4 NPT X 7
6	026915	2	NIPPLE CLOSE 3/4 X 1.375
7	022097	4	WASHER LOCK M6-1/4
8	0F3691	1	VENTURI THROTTLE 32MM
9	0G9189C	1	REG ASSY 2.4L 60KW LPV CPL
10	046580	4	SCREW SHC M6-1.0 X 45 C12.9
11	043107	2	SCREW HHC M8-1.25 X 25 C8.8
12	022131	4	WASHER FLAT 3/8-M10 ZINC
13	022129	2	WASHER LOCK M8-5/16
14	045771	2	NUT HEX M8-1.25 G8 CLEAR ZINC
17	059057	1	HOSE 3/4 ID SAE-30R2 (41" LG)
18	0H5476	1	HARN FUEL JUMPER SINGLE REG
19	057823	4	CLAMP HOSE #10 .56-1.06
20	0E4394	1	ACTUATOR BOSCH 40 GOVERNOR
21	0E6586	1	GASKET BOSCH 32
22	086133C	1	CLAMP HI TORQUE 1.75 - 2.625
23	0F3857	1	REDUCER RUBBER 3.0"-2.00"
24	086133E	1	CLAMP HI TORQUE 2.75 - 3.625
25	0F3885	1	MIXER 40/60MM ACTUATOR ASSY
26	0G3167	2	O-RING 2-3/4 X 3/32 X 2-15/16
27	025655	1	PLUG STD PIPE 3/4 STEEL SQ HD