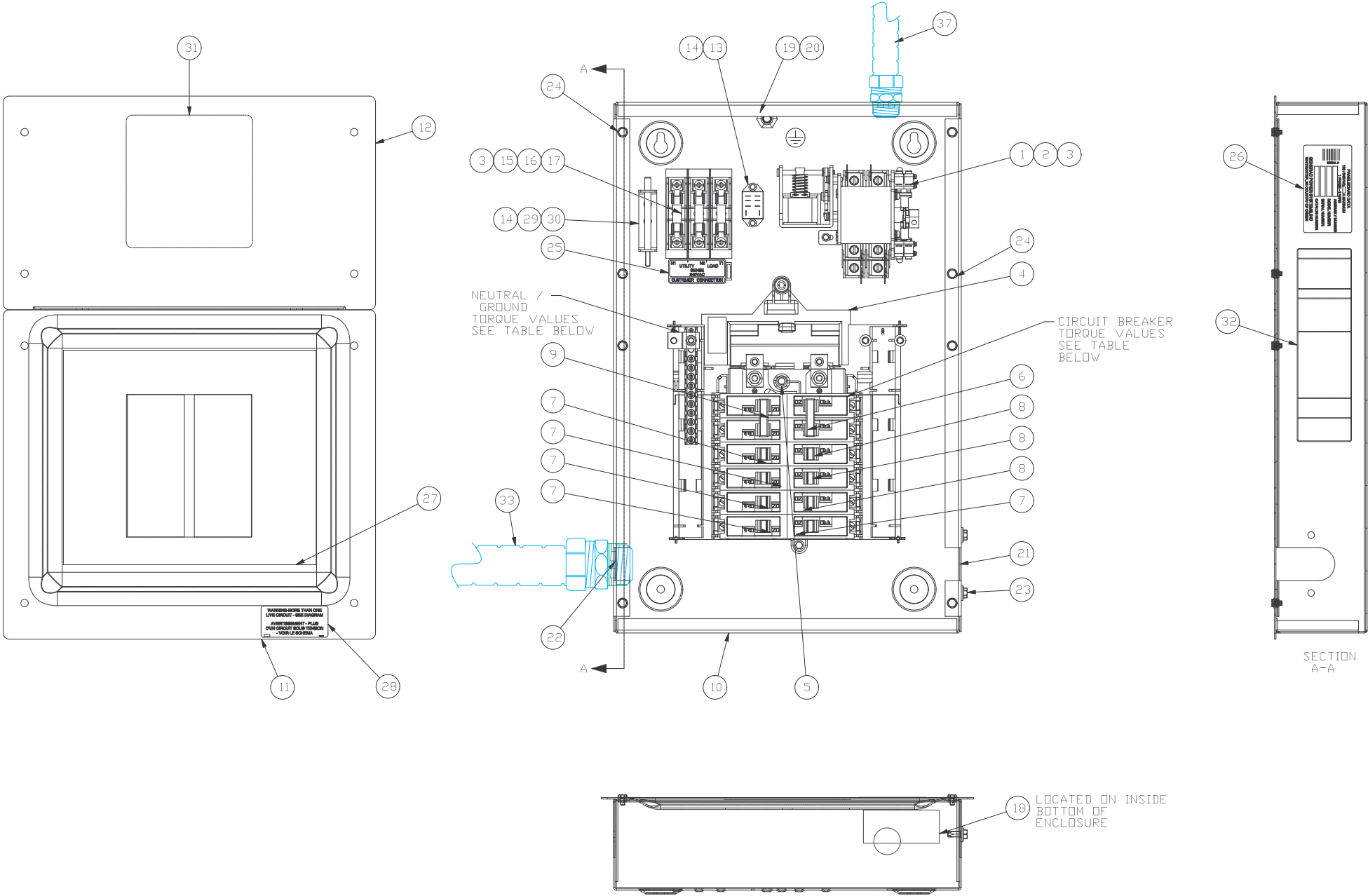


GROUP B



EXPLODED VIEW: EV RTG LCTR ASSY 12 CIR-GENERAC

DRAWING #: 0H6427B

GROUP G

| ITEM | PART# | QTY. | DESCRIPTION |
|-------|-------------|------|--------------------------------------|
| 1 | 0J6600 | 1 | XFRSW 50A 2P 240V |
| 2 | 0K0800 | 6 | LUG SLDLSS 1/0-#14X9/16 AL/CU |
| 3 | 045764 | 4 | SCREW HHTT M4-0.7 X 8 ZP |
| 4 | 0E7889 | 1 | 12CIR L/CENTR 125A/240V SIEMS |
| 5 | 0C2267 | 2 | SCREW HHTT M5-0.8 X 12 BP |
| 6 | 0E7888A | 1 | CB 0030A 2P PLUG IN SIEMENS |
| 7 | 0E7888B | 5 | CB 0015A 1P PLUG IN SIEMENS |
| 8 | 0E7888C | 3 | CB 0020A 1P PLUG IN SIEMENS |
| 9 | 0E7888D | 1 | CB 0040A 2P PLUG IN SIEMENS |
| 10 | 0K29660ST0R | 1 | ENCLOSURE 10-12 POS. RTSG LC RAW |
| 11 | 0K29670ST0R | 1 | COVER 10-12 POS. RTSG LC RAW |
| 12 | 0K30000ST0R | 1 | COVER TOP 10-12 POS. RTSG LC RAW |
| (2)13 | 0K0103 | 1 | RELAY PNL 12VDC DPDT 10A@240VA |
| 14 | 0F2659 | 4 | SCREW HHTT M3-0.5 X 6 BP |
| 15 | 0J4492 | 1 | INSULATOR, FUSE BLOCK |
| (2)16 | 073591 | 3 | FUSEBLOCK 30A 600V 1POS |
| 17 | 073590A | 3 | FUSE 5A X BUSS |
| 18 | 0G8238 | 1 | DECAL,UL PANELBOARD |
| 19 | 0A1658 | 1 | WASHER LOCK SPECIAL 1/4" |
| 20 | 024912 | 1 | SCREW HHTT 1/4-20 X 5/8 CZ |
| 21 | 0G80860ST0R | 1 | HARNESS ENTRY COVER |
| 22 | 0G8095AST0R | 1 | HARNESS ADAPTER PLATE 1-1/4" CONDUIT |
| 23 | 0A7215 | 2 | SCREW HWHS 1/4-20 X 5/8 NY/W |
| 24 | 0A2111 | 8 | SCREW HWHS #10-32 X 5/16 ZYC |
| 25 | 0H6389 | 1 | DECAL UTILITY LOAD SENSE 240V |
| 26 | 0H6435C | 1 | DECAL DATA RTG SW.P/N 0H6427A |
| 27 | N/A | 1 | DECAL LC 12 CIRC. |
| 28 | 095282 | 1 | DECAL-LIVE CIRCUIT |
| (3)29 | 0E6155 | 1 | PIN ARM EXTENDER |
| 30 | 0E6193 | 1 | BRACKET, ARM EXTENDER |
| 31 | 0K3004 | 1 | DECAL, TEST SEQUENCE |
| 32 | 0K3006 | 1 | DECAL MANUAL OPERATION - 5AMP FUSE |
| 33 | 0H6422 | 1 | HARN RTG-MAIN-PNL 12CIR W/NEUT |
| (1)34 | 0H6436A | 1 | HARNESS LC RTG INT.CONN10-16 |
| (1)35 | 0H6436B | 1 | HARNESS LC RTG INT.CONN T1 |
| (1)36 | 0H6436C | 1 | HARNESS LC RTG INT.CONN T2 |
| 37 | 0K3910 | 1 | HARN GTS-EXT CONBOX 14/17KW |
| 38 | 031980 | 5 | TIE WRAP UL 14.6 X .14 NATL |

- (1) NOT SHOWN ON THIS ASSEMBLY
- (2) SUPPLIED WITH HARNESS ITEM #29
- (3) SUPPLIED WITH ITEM #1