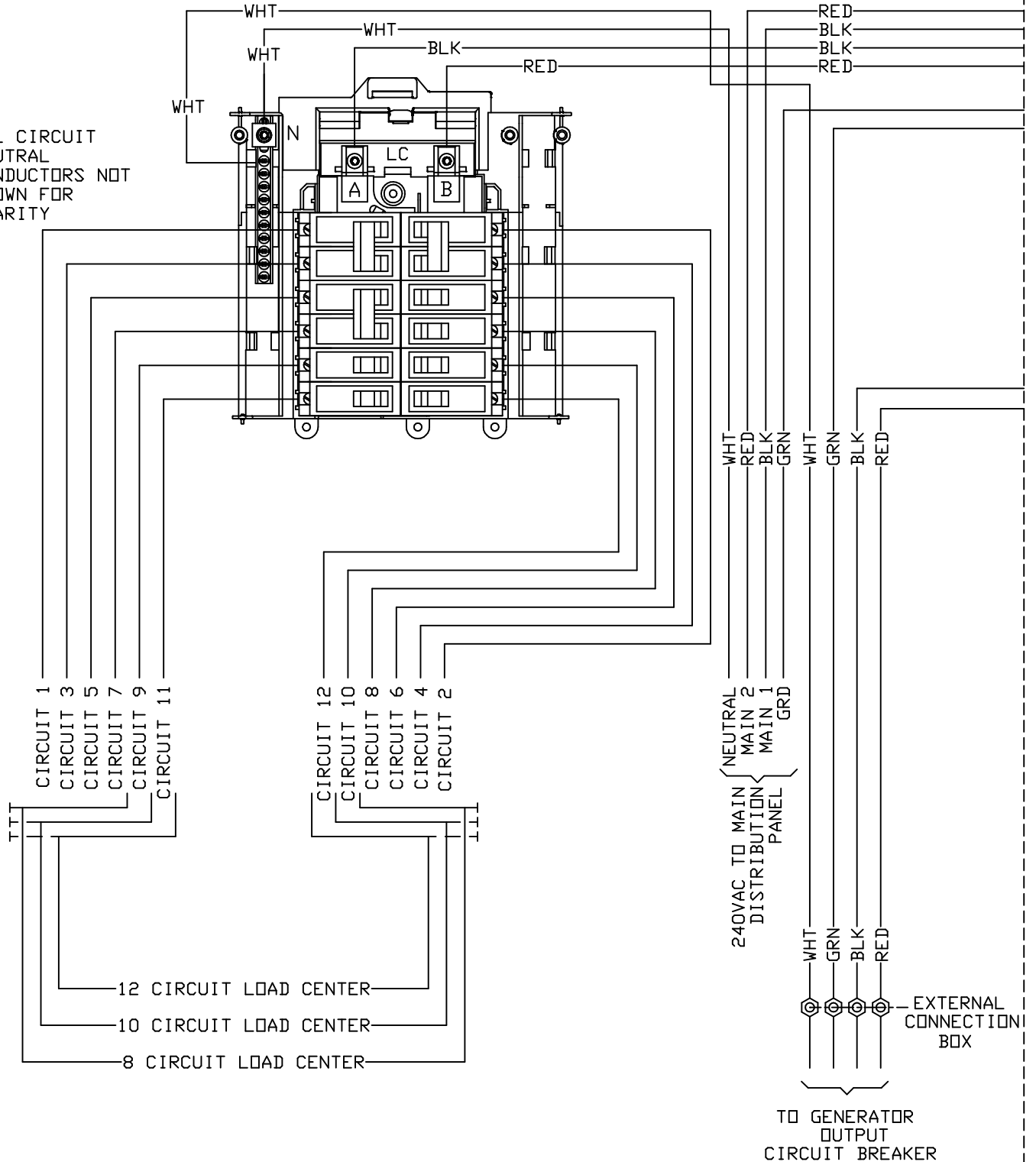
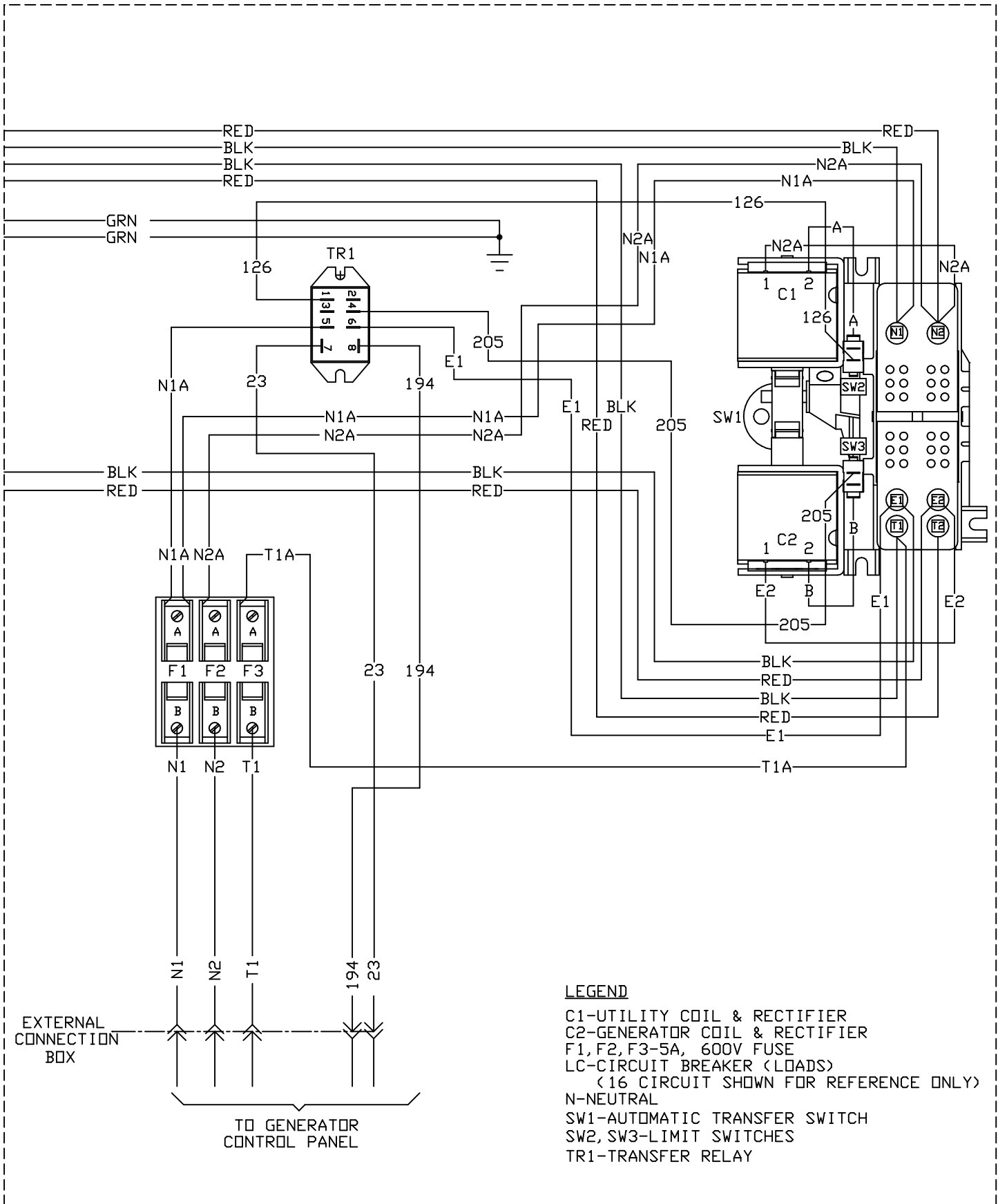


ALL CIRCUIT  
NEUTRAL  
CONDUCTORS NOT  
SHOWN FOR  
CLARITY





**LEGEND**

- C1-UTILITY COIL & RECTIFIER
- C2-GENERATOR COIL & RECTIFIER
- F1,F2,F3-5A, 600V FUSE
- LC-CIRCUIT BREAKER (LOADS)  
(16 CIRCUIT SHOWN FOR REFERENCE ONLY)
- N-NEUTRAL
- SW1-AUTOMATIC TRANSFER SWITCH
- SW2, SW3-LIMIT SWITCHES
- TR1-TRANSFER RELAY