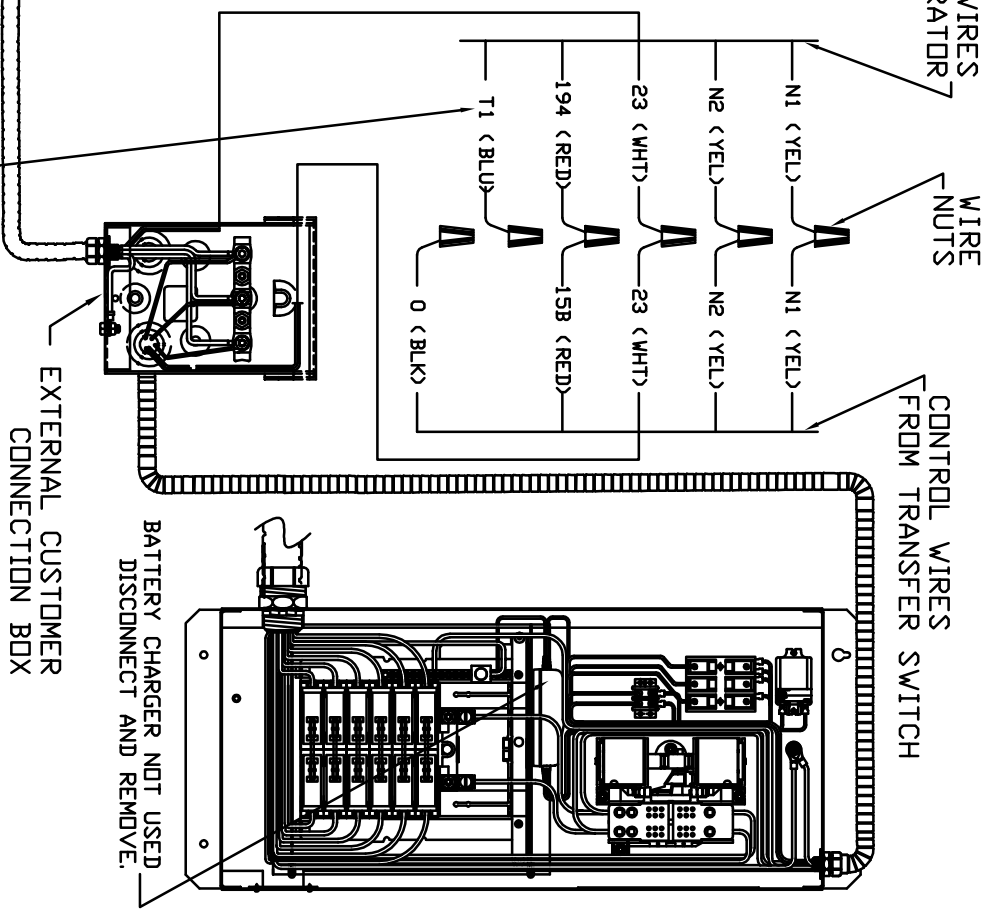
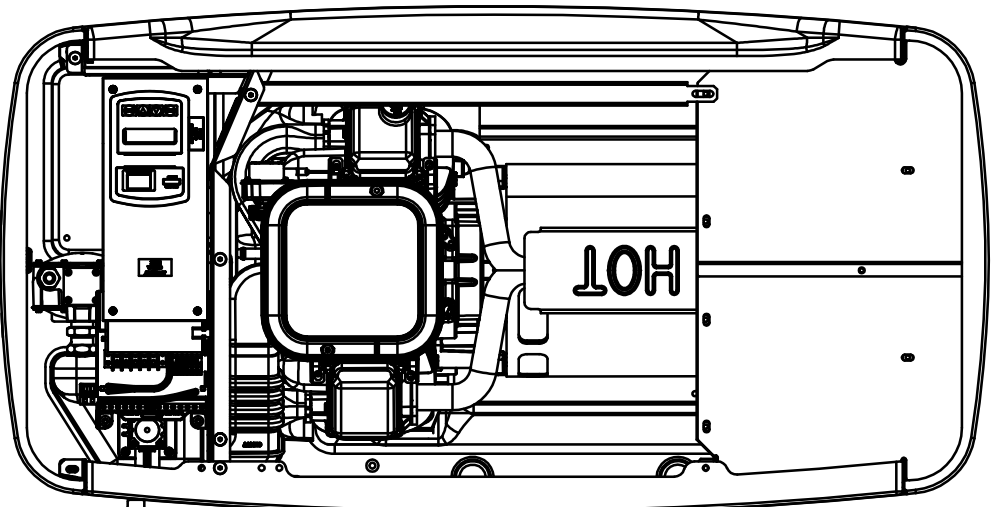


"10" & LATER HSB
AIR-COOLED GENERATORS
SINGLE & V-TWIN ENGINES

PRE "10"
LOAD CENTER
TRANSFER SWITCH

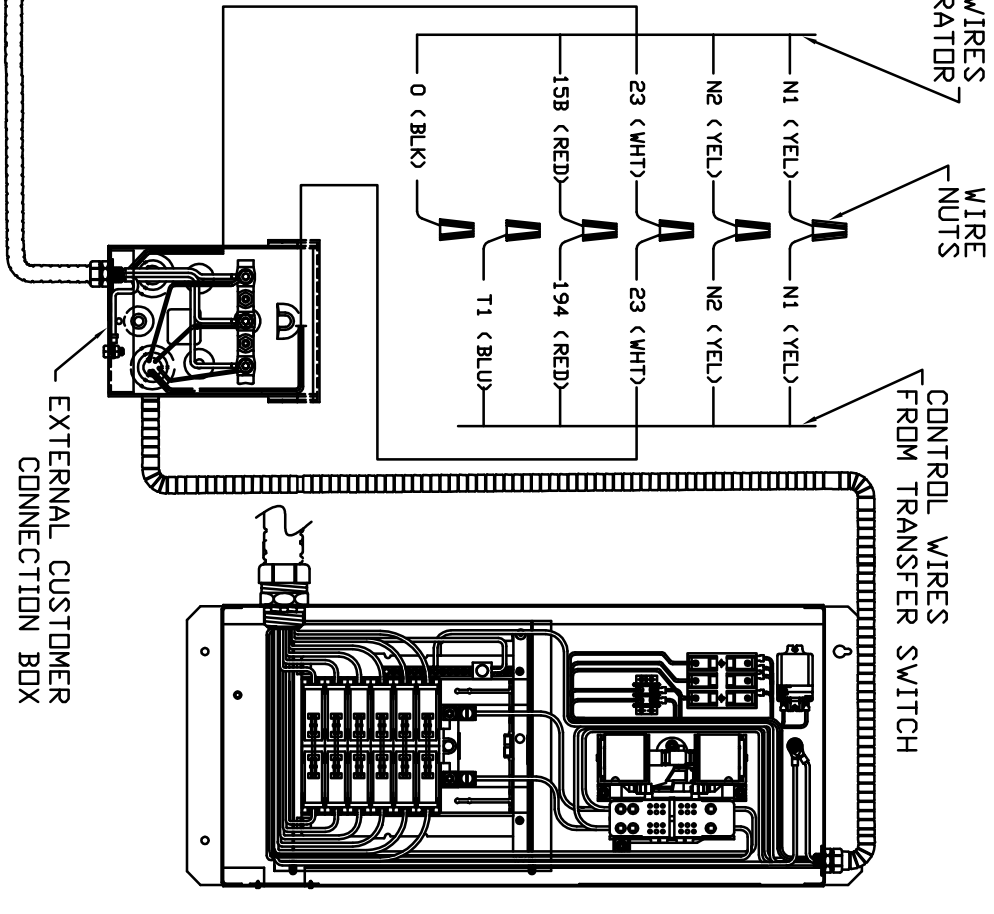
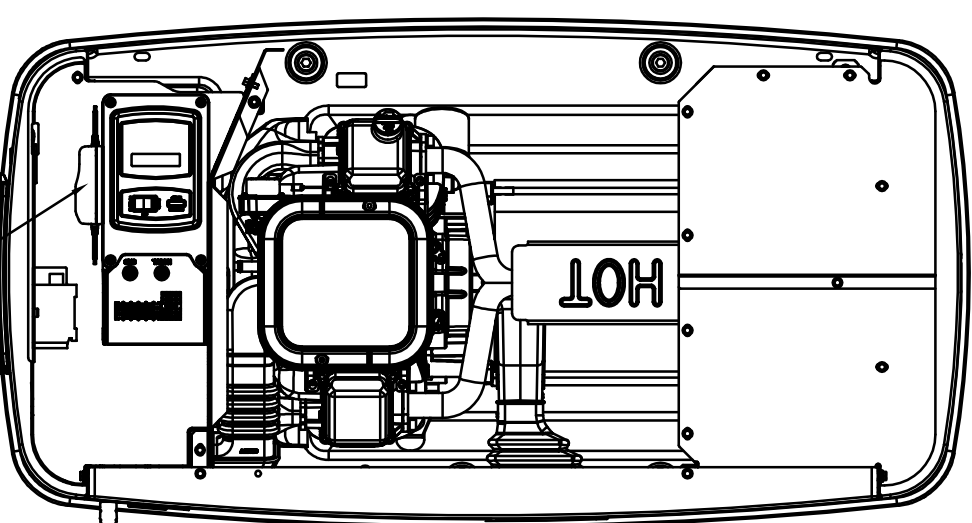
PRE "10" HSB
AIR-COOLED GENERATORS
SINGLE & V-TWIN ENGINES

"10" & LATER
LOAD CENTER
TRANSFER SWITCH



CONNECT WIRE #T1 FROM HSB TO FUSED (5A) LOAD SOURCE.

- 1) INSTALL KIT PART NO. 0G9254 ON ATS. ROUTE T1 WIRE (FUSED LOAD SUPPLY) IN 30 FT. CONDUIT TO EXT. CONNECTION BOX. CONNECT TO T1 WIRE FROM HSB OR, GENERATOR PROTECTED PANELBOARD TO T1 IN THE GENERATOR CONTROL PANEL. NEUTRAL TO NEUTRAL TERMINAL.
- 2) ROUTE 120 VAC 15A CIRCUIT FROM GENERATOR CONTROL PANEL TO T1 IN THE GENERATOR CONTROL PANEL.



INSTALL BATTERY CHARGER GENERAC P/N 0G8023

REV	DATE	DESCRIPTION
1		
2		
3		
4		
5		
6		
7		
8		

REV	DATE	DESCRIPTION
1		
2		
3		
4		
5		
6		
7		
8		

GENIE/RAC BROWNING SYSTEMS
P.O. BOX 8
WARRINGTON, VA 22097

INSTALLATION DRAWING,
HOME STAND-BY

SCALE 1 = 1
0H6393
REV A