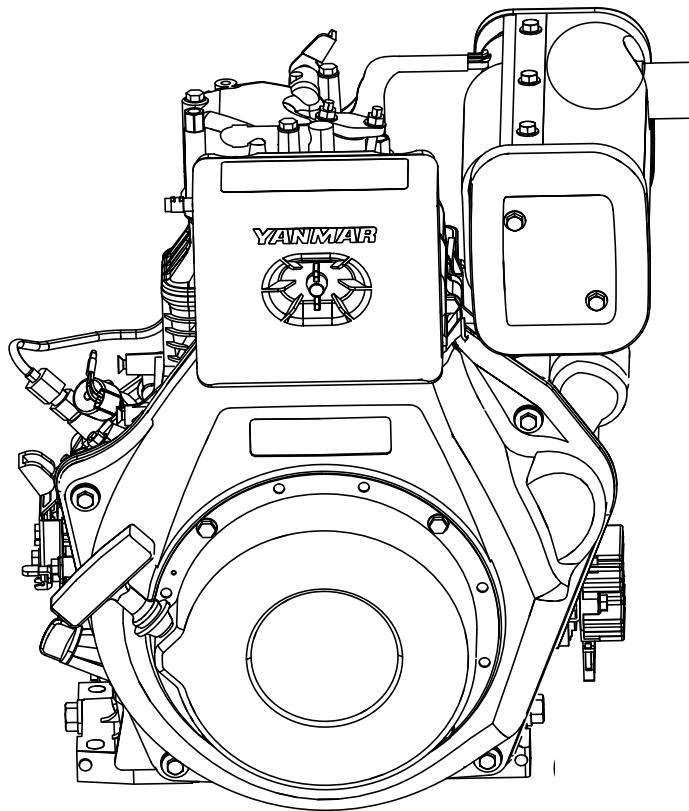


GENERAC PARTS MANUAL

YANMAR 435CC DIESEL ENGINE (G40)



NOTICE!

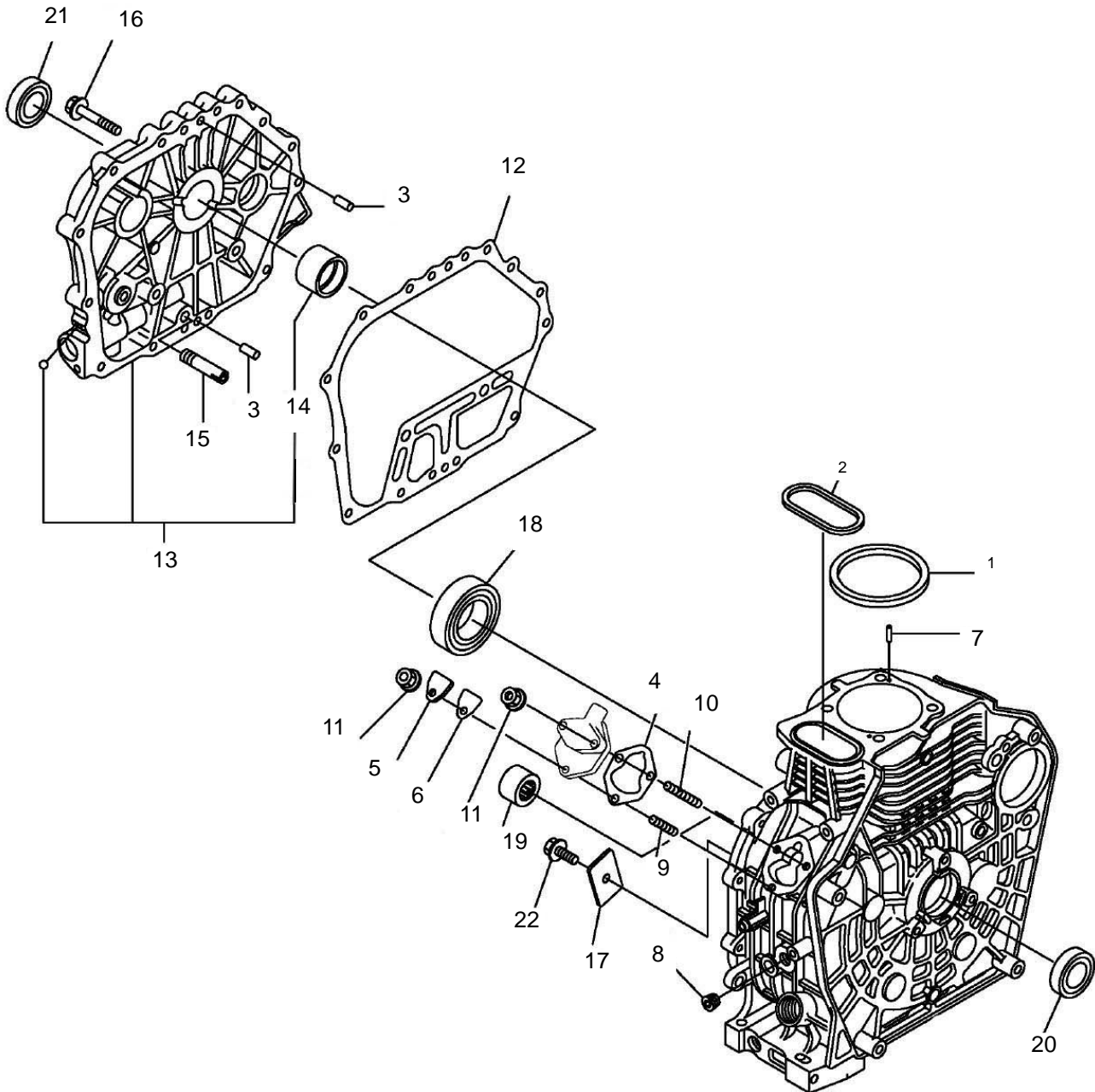
The information in this manual is known to be accurate as of the date of release shown on the cover. However, engineering changes can occur without notice. To obtain the proper parts, please be sure to use the serial number of the unit being serviced when ordering from this manual. Always refer to any parts notes and changes before ordering. All other parts not shown in this manual can be found on Generac's exploded view drawings on line on GENservice at www.generac.com.

www.generac.com or 1-888-GENERAC (1-888-436-3722)

TABLE OF CONTENTS

CYLINDER BLOCK	4
DRAIN PLUG	6
LABEL	7
CYLINDER HEAD AND COVER	8
AIR CLEANER	10
EXHAUST MUFFLER	11
CAMSHAFT	12
FLYWHEEL	13
PISTON AND CON-ROD	14
BALANCER SHAFT	15
OIL PUMP AND GOVERNOR	16
OIL PRESSURE SWITCH	17
COVER	18
COOLING FAN CASE	19
FUEL INJECTION PARTS	20
SPEED CONTROL DEVICE	21
RECOIL STARTER ASSEMBLY	22
STARTING MOTOR	23
HARNESS AND REGULATOR	24
DYNAMO ASSEMBLY	25
ACCESSORIES	26
TOOL AND GASKET SET	27

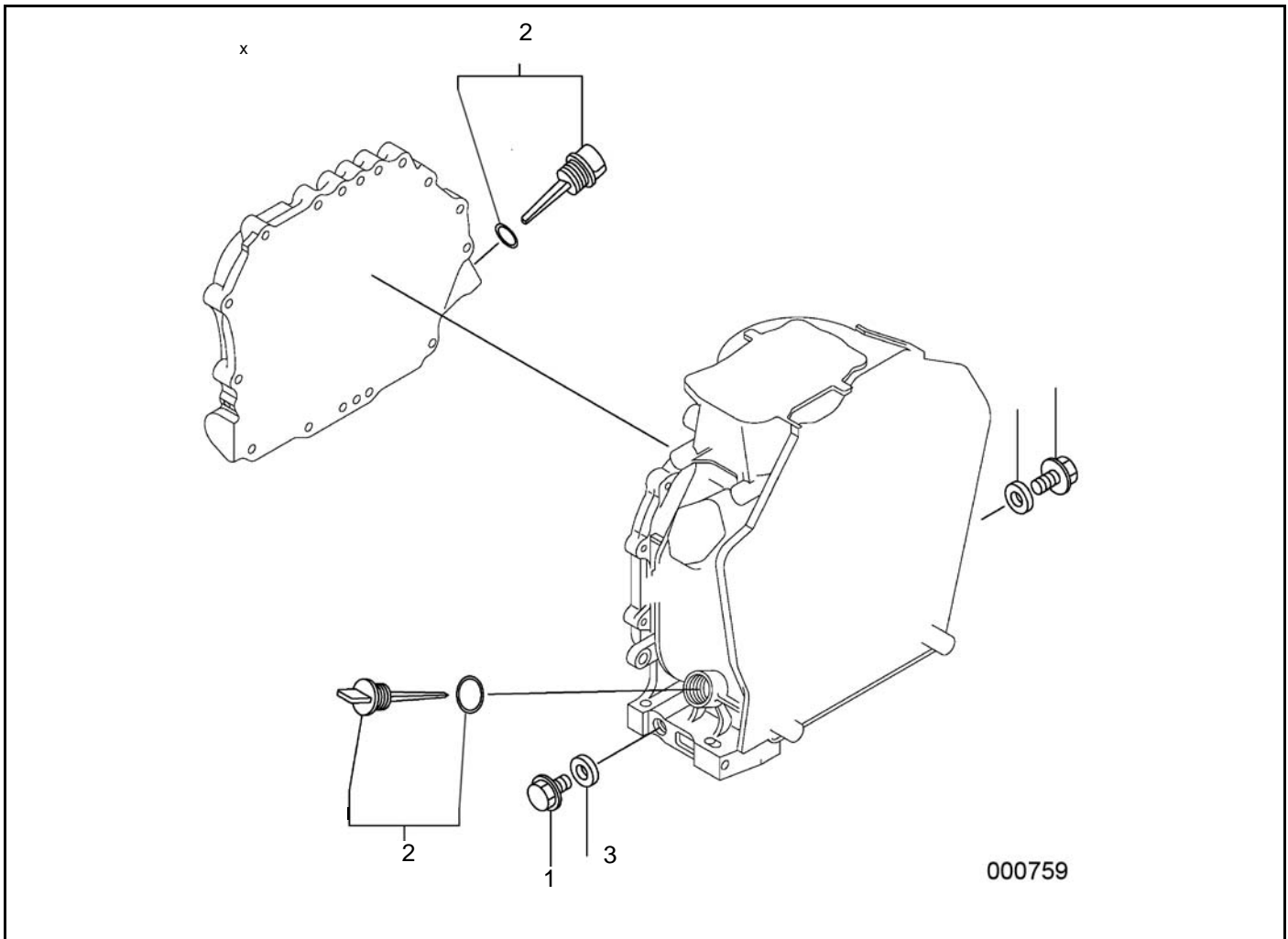
CYLINDER BLOCK



000758

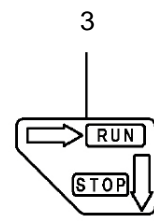
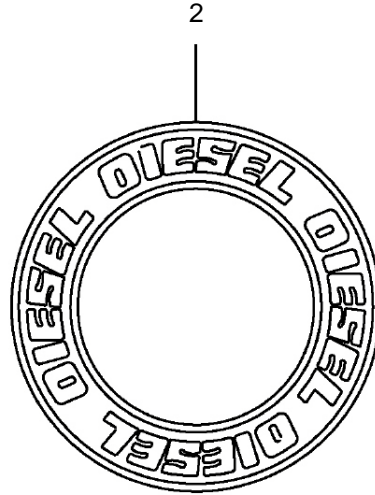
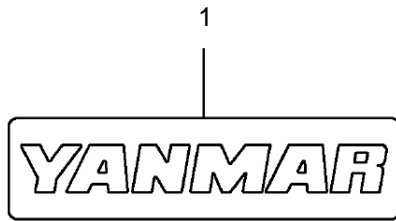
Item	Part No.	Description	Qty.
	0L13630SRV	HEAD GASKET KIT (INCLUDES ITEMS 1 AND 2)	1
1	0L13630139	HEAD GASKET	1
2	0L13630140	O-RING	1
3	0L13630141	PIN (8X12)	2
4	0L13630142	SHIM SET	1
5	0L13630143	COVER	1
6	0L13630130	GASKET	1
7	0L13630144	DOWEL PIN (M4X8)	2
8	0L13630145	PLUG (R02)	1
9	0L13630146	STUD (M6X18)	1
10	0L13630154	STUD (M6X22)	2
11	0L13630177	NUT (M6)	3
12	0L13630228	CRANKCASE GASKET	1
13	0L13630150	CRANKCASE COVER (D)	1
14	0L13630151	MAIN BEARING	1
15	0L13630152	OIL INLET PIPE	1
16	0H41040161	PLATED BOLT (M8X35)	16
17	0L13630156	BEARING RETAINER	1
18	0L13630157	BEARING (HR6308G3)	1
19	0L13630158	BEARING (152220)	1
20	0L13630160	OIL SEAL (TC355008)	1
21	0L13630160	OIL SEAL (TC355008)	1
22	0H41040153	PLATED BOLT (M8X12)	1

DRAIN PLUG



Item	Part No.	Description	Qty.
1	0L13630161	PLUG (M16)	2
2	0L13630162	CAP ASSEMBLY	2
3	0L13630164	SEAL WASHER (16)	2

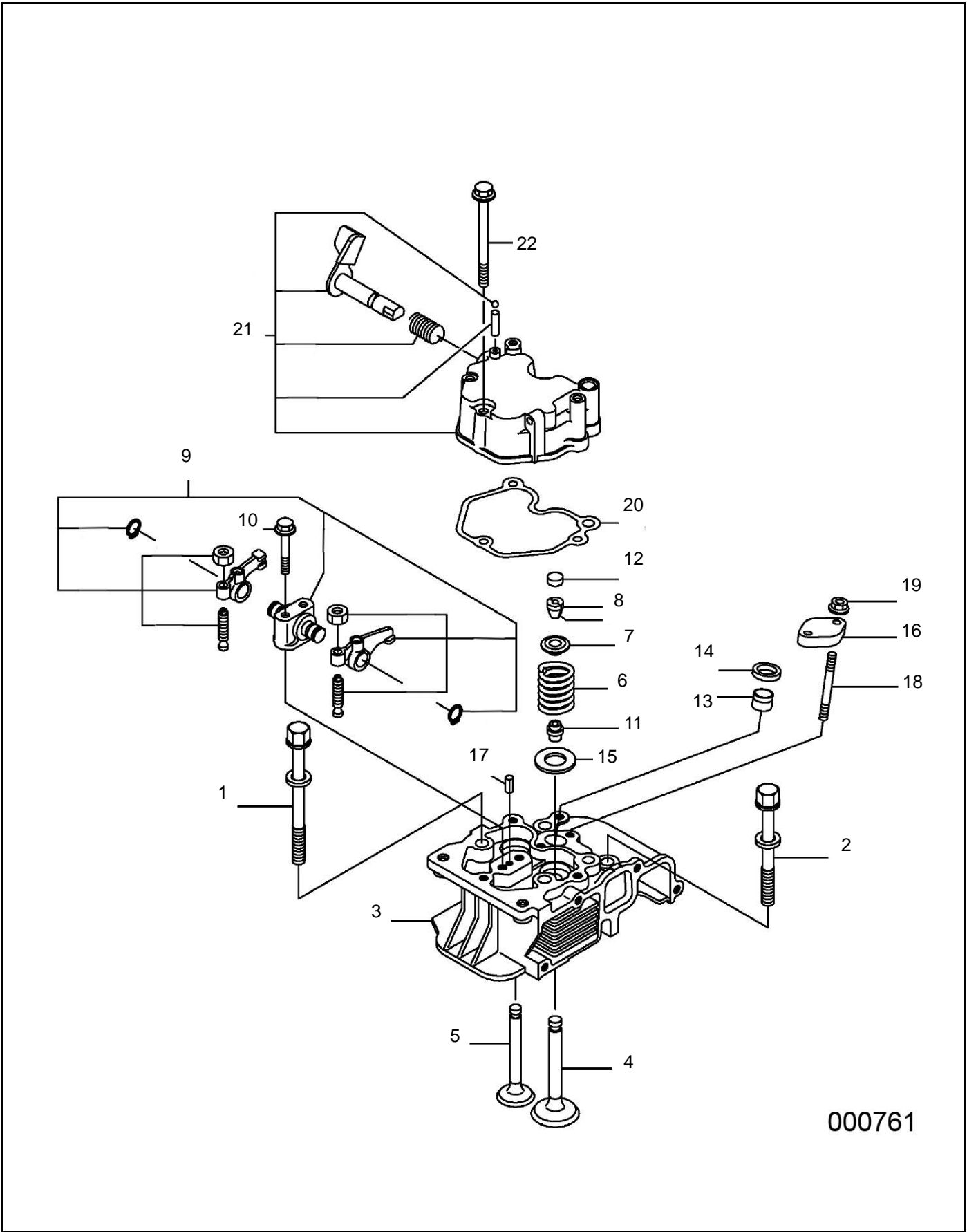
LABEL



000760

Item	Part No.	Description	Qty.
1	0L13630147	YANMAR MARK B LABEL	1
2	0L13630148	DIESEL LABEL	1
3	0L13630114	CONSTANT SPEED LABEL	1

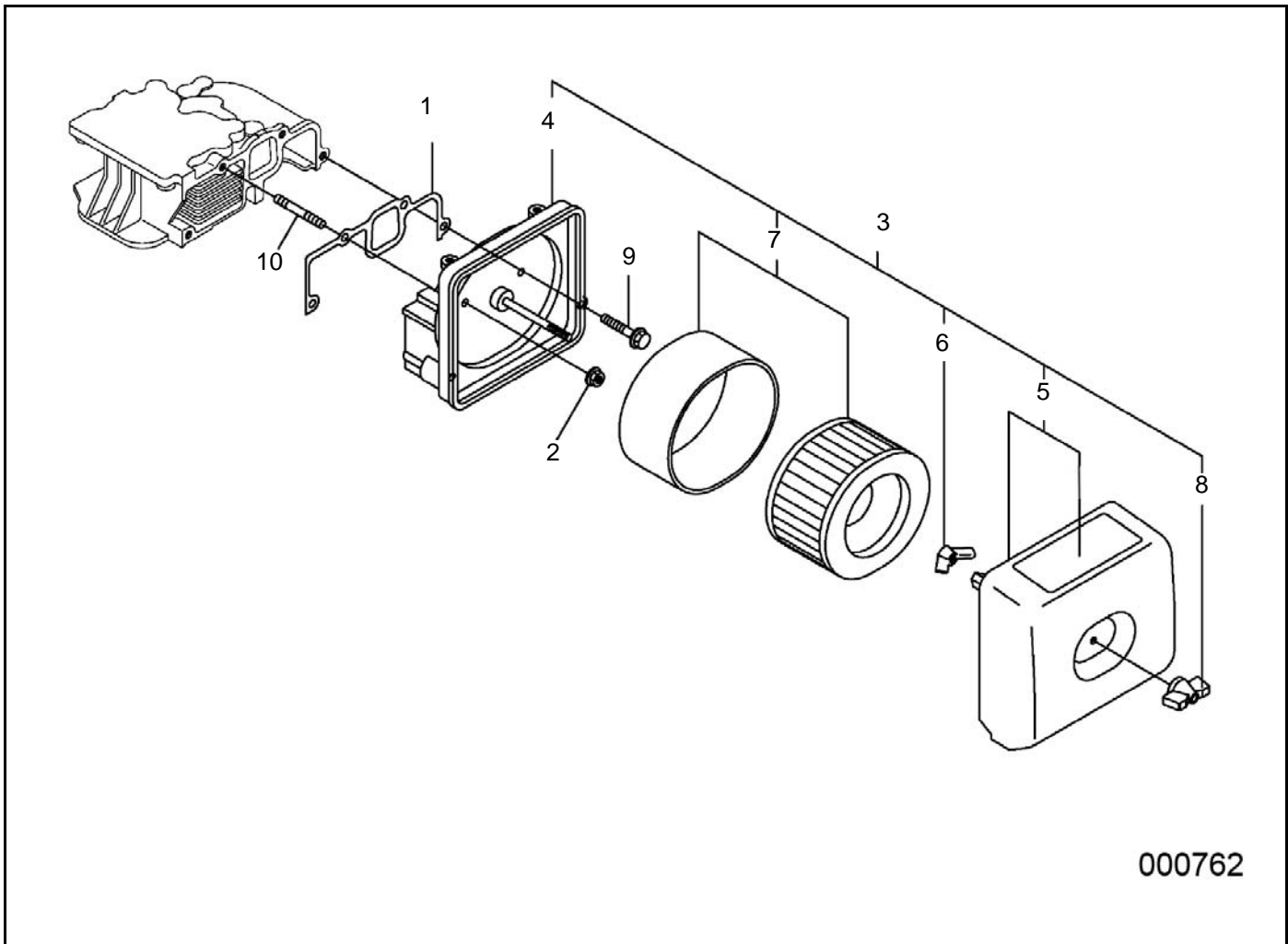
CYLINDER HEAD AND COVER



000761

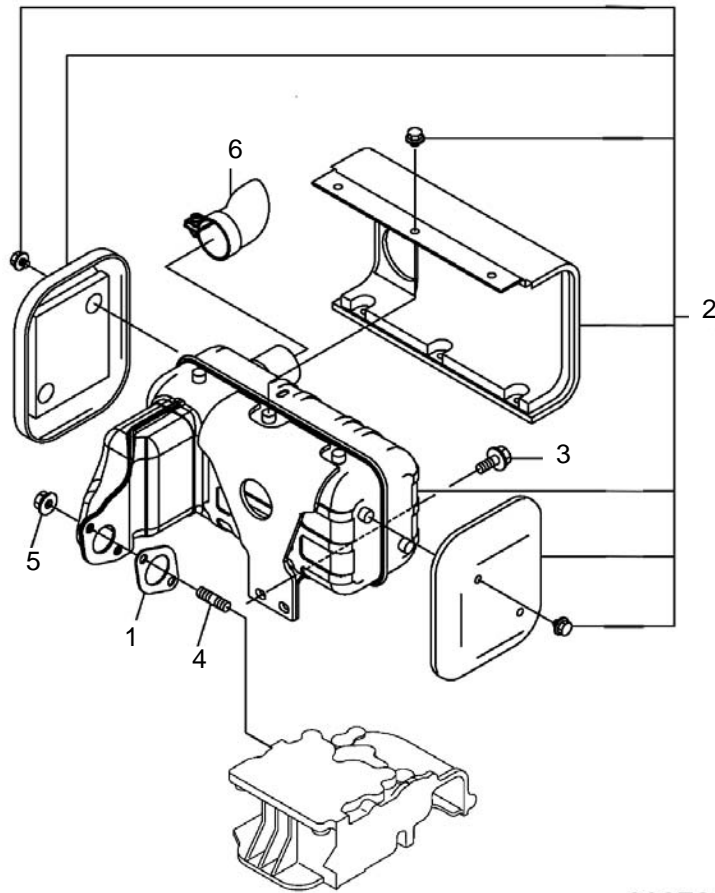
Item	Part No.	Description	Qty.
1	0L13630165	CYLINDER HEAD BOLT (A)	2
2	0L13630166	CYLINDER HEAD BOLT (B)	2
3	0L13630167	CYLINDER HEAD ASSEMBLY	1
	0L1363ASRV	VALVE KIT (INCLUDES ITEMS 4, 5, 6, 7, 8, 11, 12 AND 15)	1
4	0L13630168	INTAKE VALVE	1
5	0L13630169	EXHAUST VALVE	1
6	0L13630170	VALVE SPRING	2
7	0L13630171	SPRING RETAINER	2
8	0L13630172	COTTER ASSEMBLY	2
9	0L13630173	ROCKER ARM SUPPORT ASSEMBLY	1
10	0L13630174	SUPPORT BOLT	2
11	0L13630110	VALVE STEM SEAL	2
12	0L13630111	VALVE CAP	2
13	0L13630128	NOZZLE PROTECTOR	1
14	0L13630129	NOZZLE SEAT	1
15	0L13630175	WASHER	2
16	0L13630115	NOZZLE RETAINER	1
17	0718910180	SPRING PIN (4.0X8)	1
18	0L13630176	STUD (M6X55)	2
19	0L13630177	NUT (M6)	2
20	0L13630178	VALVE COVER GASKET	1
21	0L13630179	VALVE COVER ASSEMBLY	1
22	0L13630223	PLATED BOLT (M6X65)	3

AIR CLEANER



Item	Part No.	Description	Qty.
1		AIR CLEANER GASKET (IN GASKET KIT)	1
2	0L13630229	NUT (M6)	3
3	0L13630182	AIR CLEANER ASSEMBLY	1
4	0L13630183	AIR CLEANER BODY ASSEMBLY	1
5	0L13630116	AIR CLEANER COVER ASSEMBLY (INCLUDES AIR CLEANER LABEL)	1
6	0L13630239	WING NUT	1
7	0L13630113	AIR FILTER ELEMENT ASSEMBLY	1
8	0L13630240	LOCKING KNOB	1
9	0L13630230	PLATED BOLT (M6X40)	1
10	0L13630280	STUD (M6X35)	3

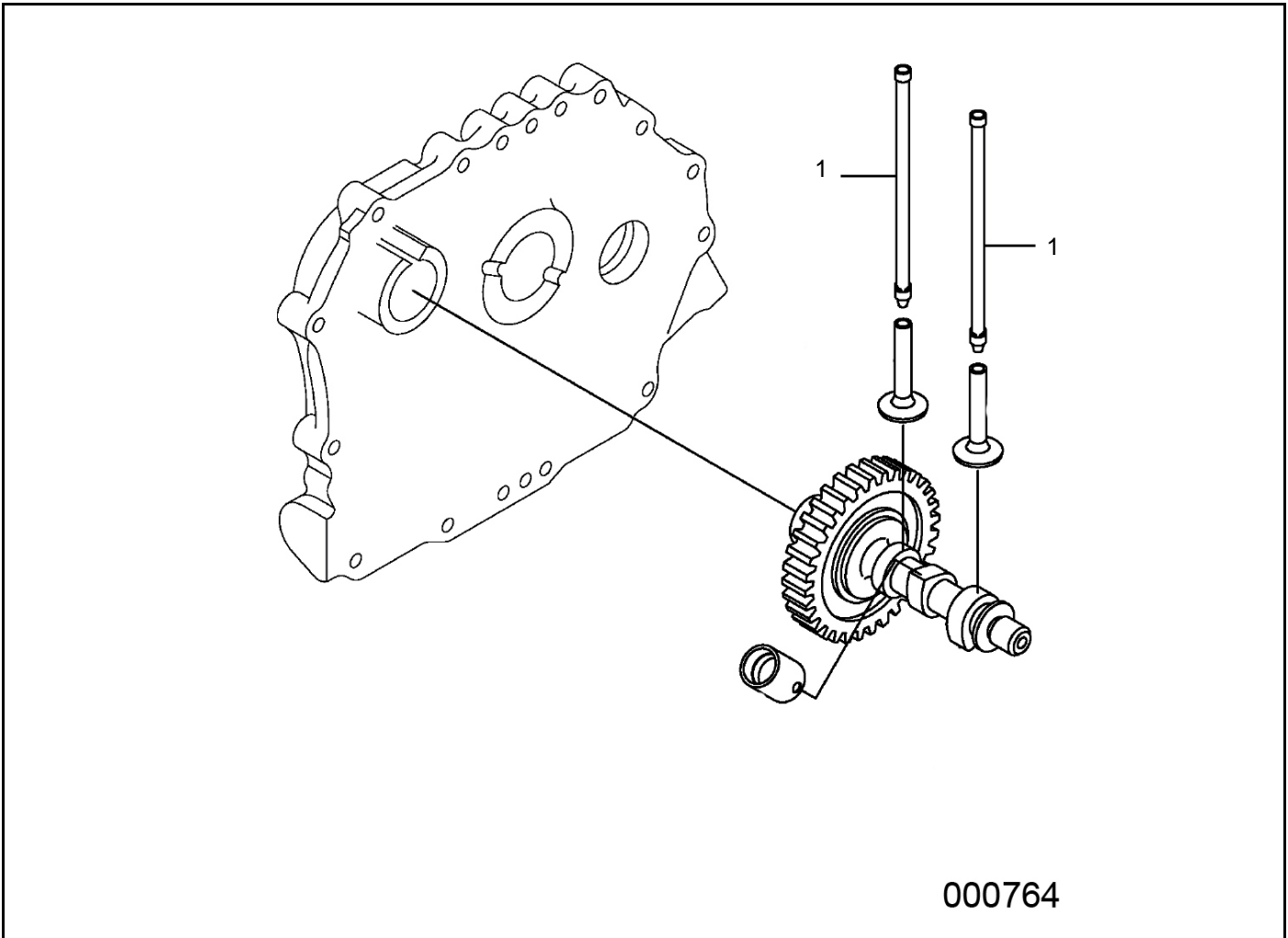
EXHAUST MUFFLER



000763

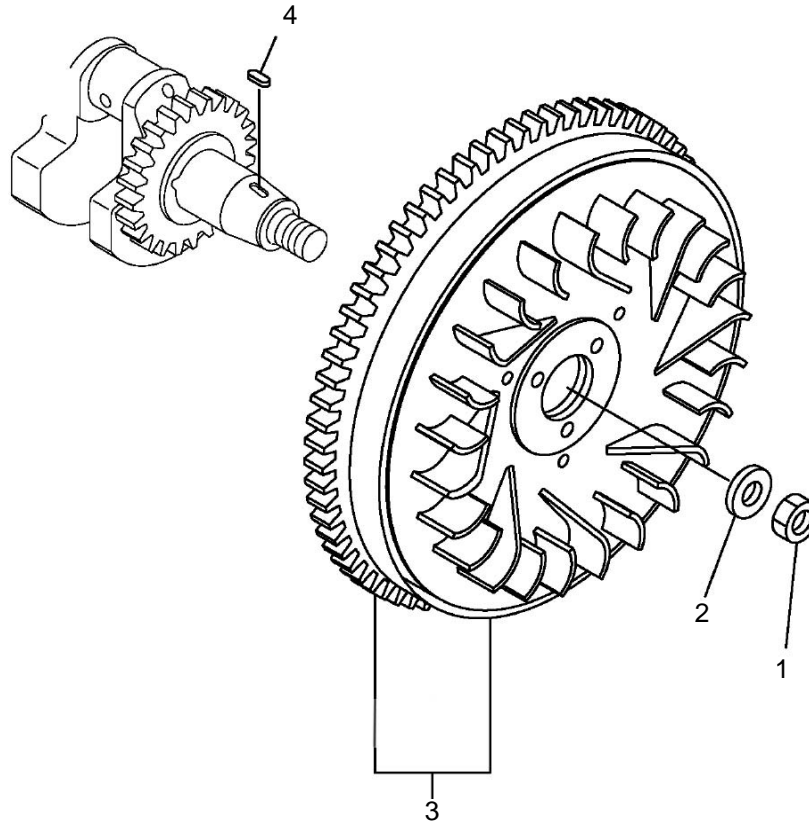
Item	Part No.	Description	Qty.
1	0L13630184	MUFFLER GASKET	1
2	0L13630185	MUFFLER ASSEMBLY	1
3	0H41040156	PLATED BOLT (M8X20)	2
4	0L13630188	STUD (M8X18)	2
5	0L13630231	NUT (M8)	2
6	0L13630189	EXHAUST DEFLECTOR ASSEMBLY	1

CAMSHAFT



Item	Part No.	Description	Qty.
1	0L13630224	PUSHROD ASSEMBLY	2

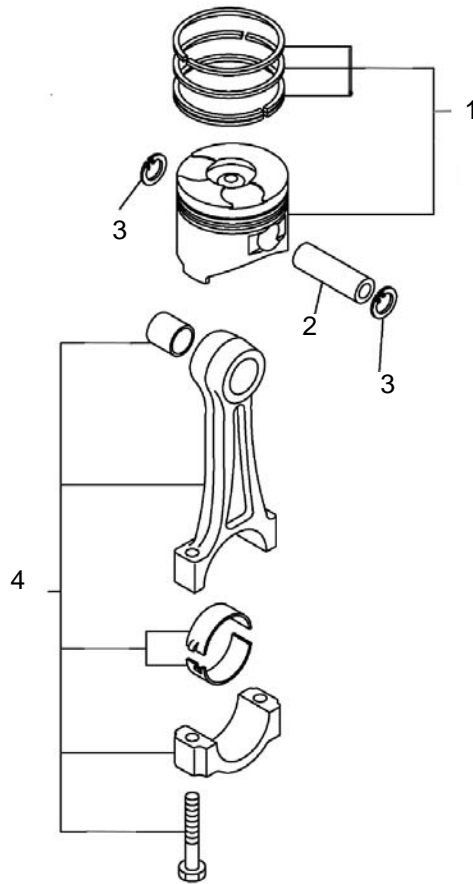
FLYWHEEL



000766

Item	Part No.	Description	Qty.
1	0L13630190	NUT	1
2	0L13630191	WASHER	1
3	0L13630192	FLYWHEEL ASSEMBLY (DE)	1
4	0L13630232	KEY (5X14)	1

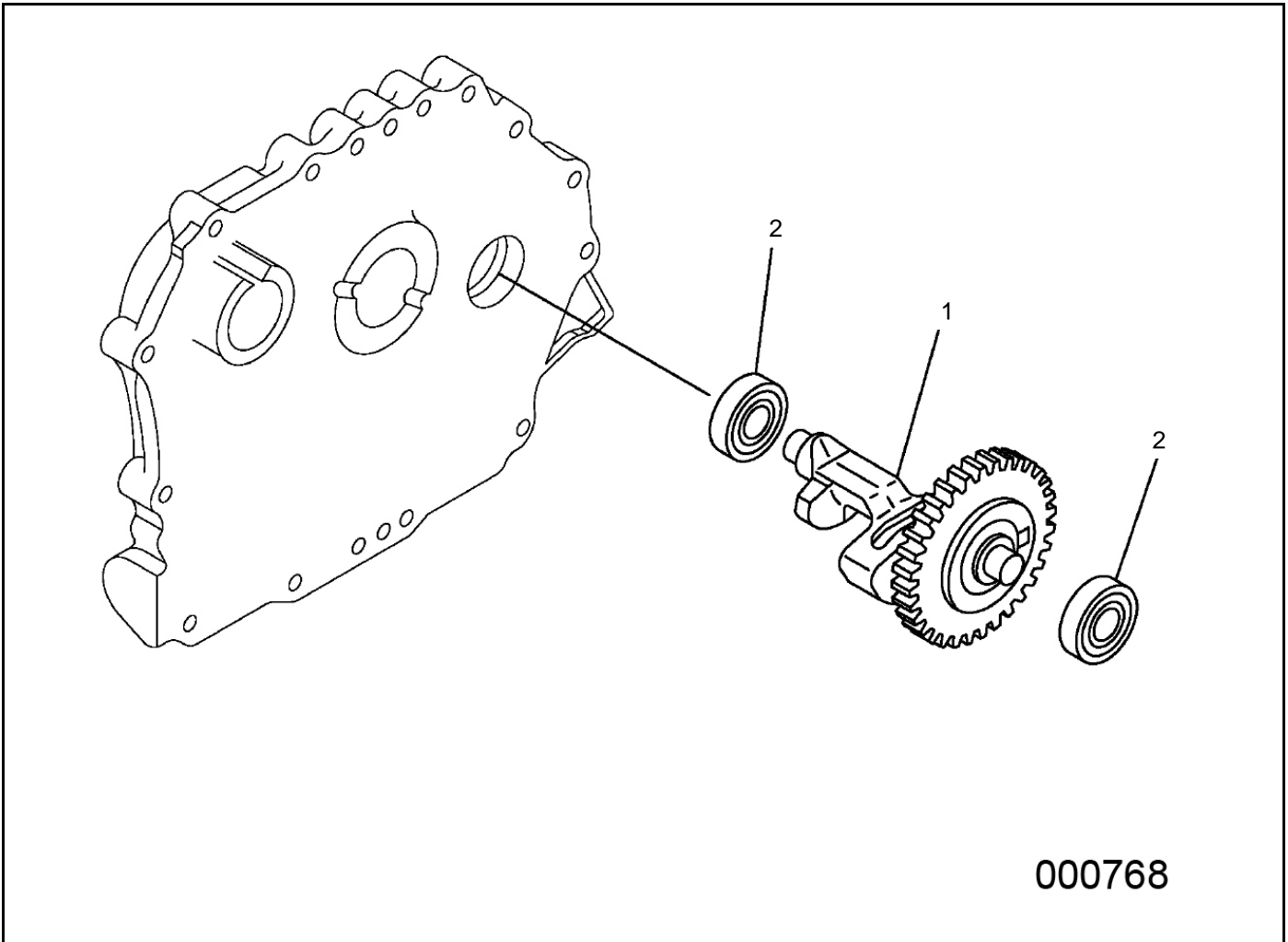
PISTON AND CON-ROD



000767

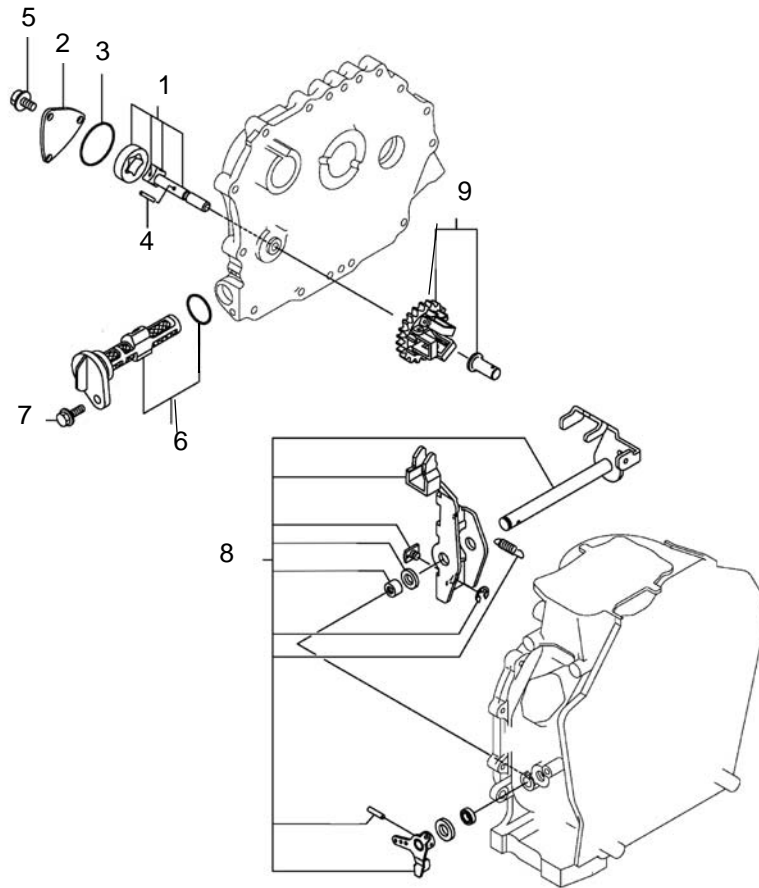
Item	Part No.	Description	Qty.
1	0L13630193	PISTON WITH RINGS (D)	1
2	0L13630194	PISTON PIN D=23	1
3	0L13630195	SEEGER RING (J23)	2
4	0L13630196	CONNECTING ROD ASSEMBLY	1

BALANCER SHAFT



Item	Part No.	Description	Qty.
1	0L13630197	BALANCER SHAFT ASSEMBLY	1
2	0L13630198	BALL BEARING (6304C3)	2

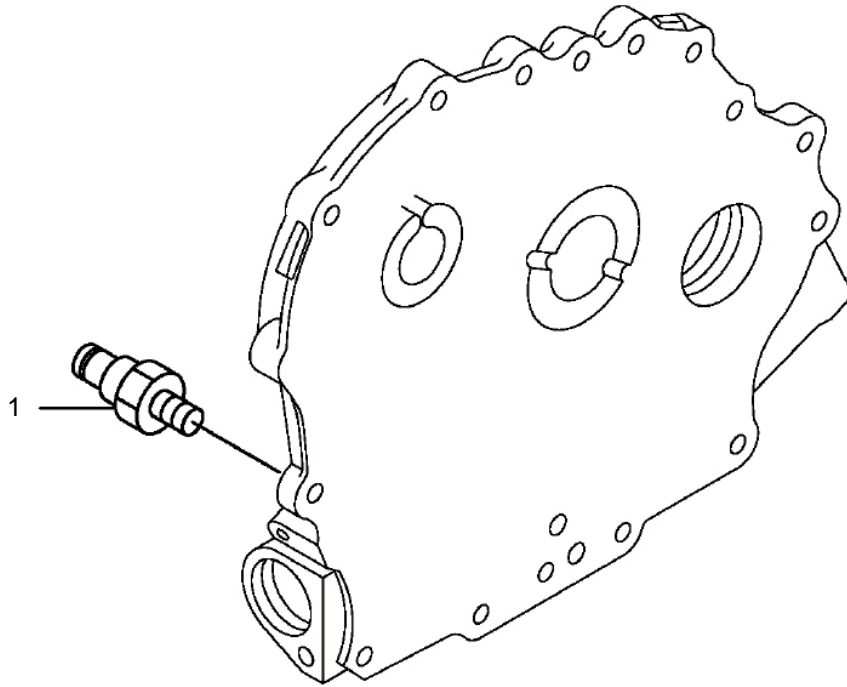
OIL PUMP AND GOVERNOR



000769

Item	Part No.	Description	Qty.
1	0718910259	OIL PUMP ASSEMBLY	1
2	0L13630199	COVER	1
3	0L13630200	O-RING	1
4	0L13630201	PARALLEL PIN (M3X16)	1
5	0J74880107	PLATED BOLT (M6X12)	3
6	0L13630202	OIL FILTER ASSEMBLY	1
7	0L13630233	PLATED BOLT (M6X16)	1
8	0L13630203	GOVERNOR LEVER ASSEMBLY	1
9	0L13630204	GOVERNOR ASSEMBLY (INCLUDES GOVERNOR WEIGHT ASSEMBLY)	1

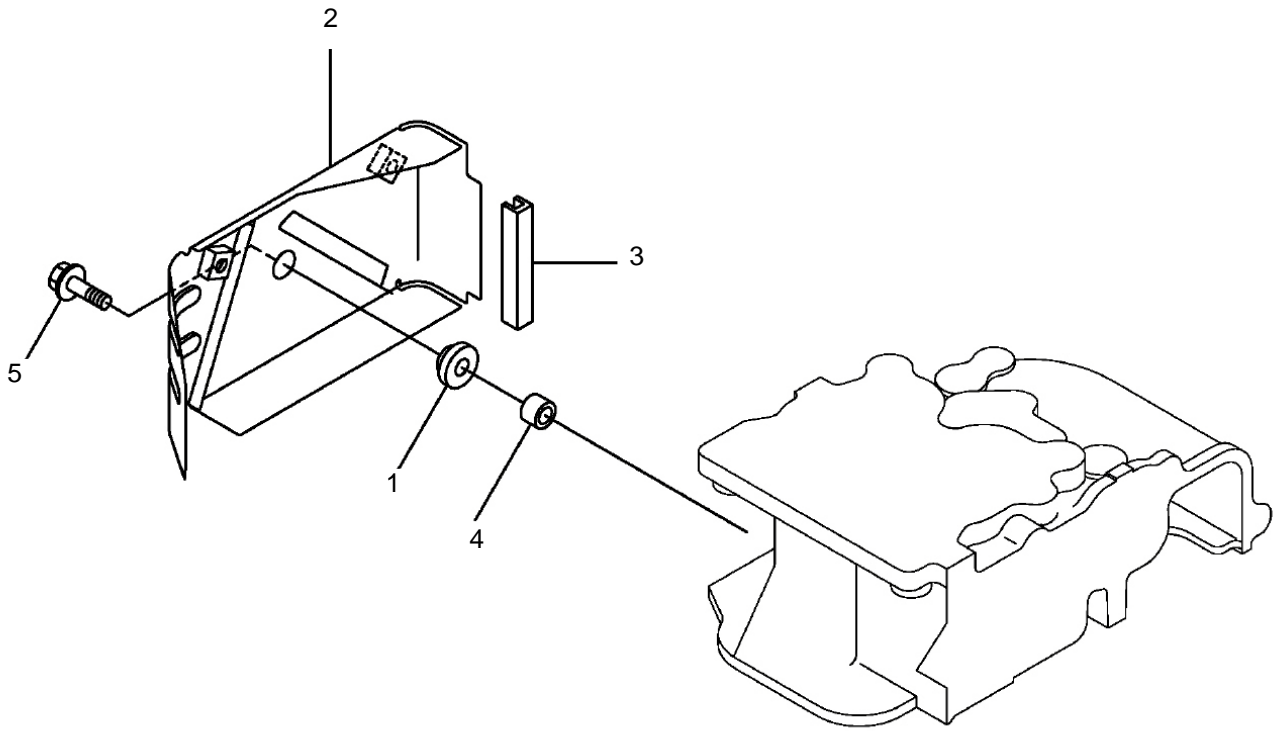
OIL PRESSURE SWITCH



000770

Item	Part No.	Description	Qty.
1	0718910118	OIL PRESSURE SWITCH (1.0KG)	1

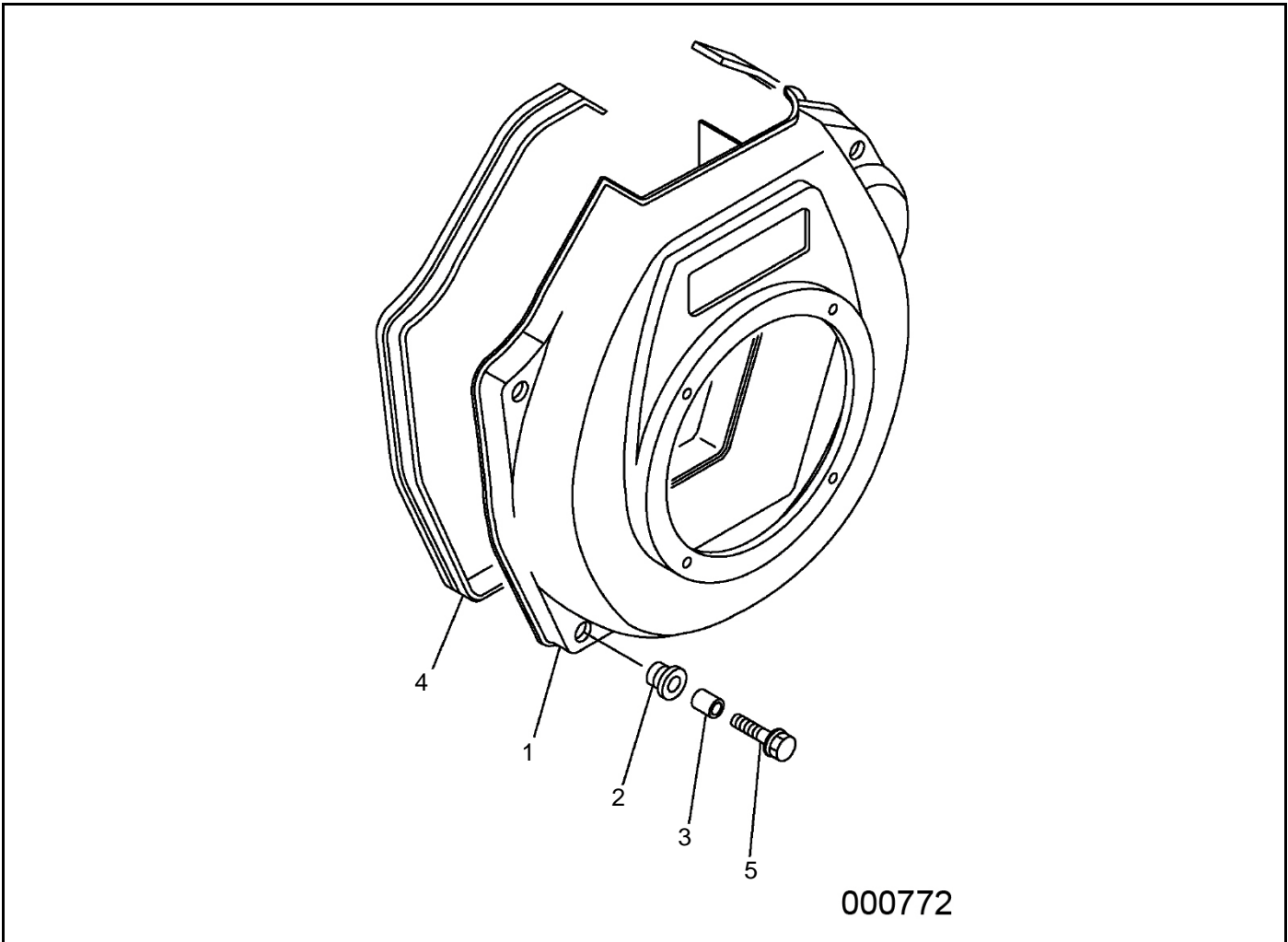
COVER



000771

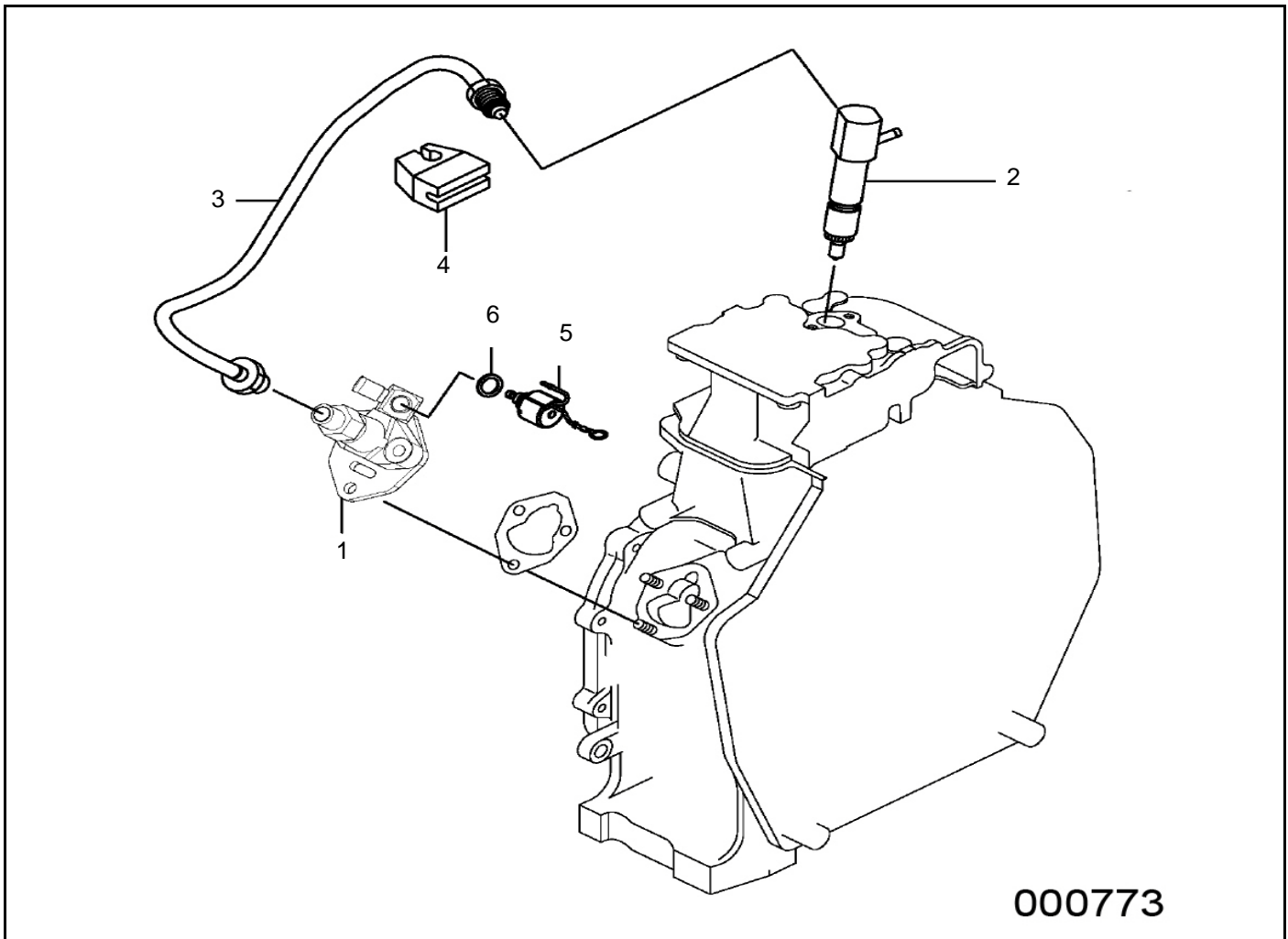
Item	Part No.	Description	Qty.
1	0L13630206	GROMMET	1
2	0L13630207	SIDE COVER B	1
3	0L13630208	RUBBER SEAL	1
4	0L13630205	COLLAR	1
5	0J74890122	PLATED BOLT (M6X20)	1

COOLING FAN CASE



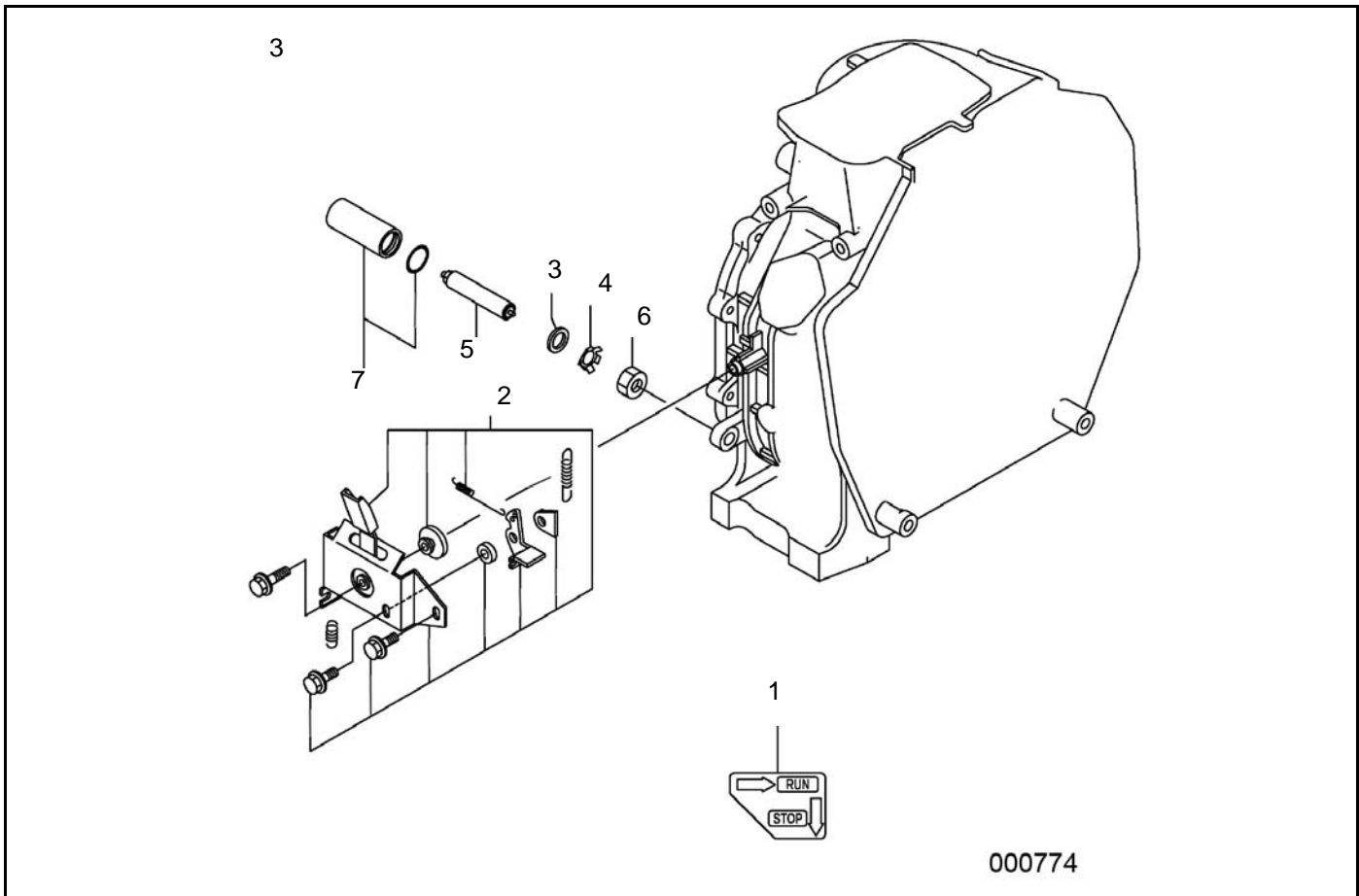
Item	Part No.	Description	Qty.
1	0L13630210	COOLING FAN CASE	1
2	0L13630211	RUBBER CUSHION	4
3	0L13630212	COLLAR	4
4	0L13630213	FAN CASE SEAL	1
5	0L13630209	FAN CASE BOLT	4

FUEL INJECTION PARTS



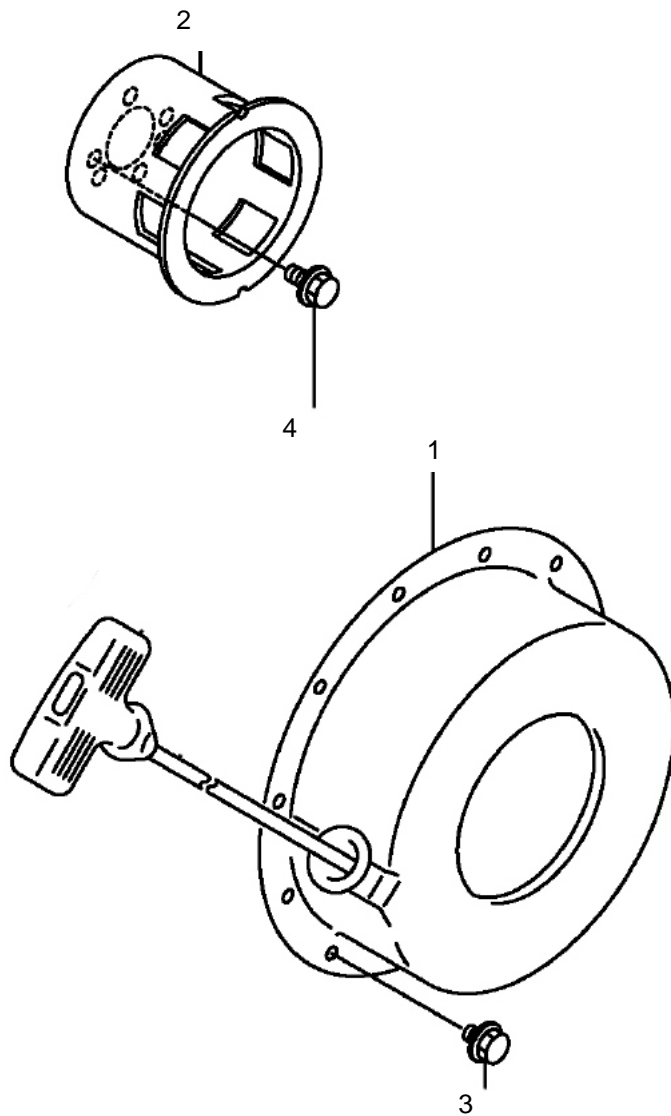
Item	Part No.	Description	Qty.
1	0L13630131	FUEL INJECTION PUMP ASSEMBLY	1
2	0L13630132	INJECTION VALVE ASSEMBLY	1
3	0L13630133	INJECTION PIPE ASSEMBLY	1
4	0L13630134	PIPE SUPPORT	1
5	0L13630112	FUEL SHUT OFF VALVE ASSEMBLY	1
6	0L13630135	GASKET (10X1.2)	1

SPEED CONTROL DEVICE



Item	Part No.	Description	Qty.
1	0L13630114	CONSTANT SPEED LABEL	1
2	0L13630241	HANDLE BRACKET ASSEMBLY	1
3	0L13630137	PLAIN WASHER (14)	1
4	0L13630138	PLATE	1
5	0L13630214	LIMITER ASSEMBLY FO	1
6	0L13630234	NUT (M14X1.25)	1
7	0L13630215	PROTECTOR ASSEMBLY	1
	SEE ITEM 7	O- RING (1AP18.0) (INCLUDED WITH ITEM 7)	1

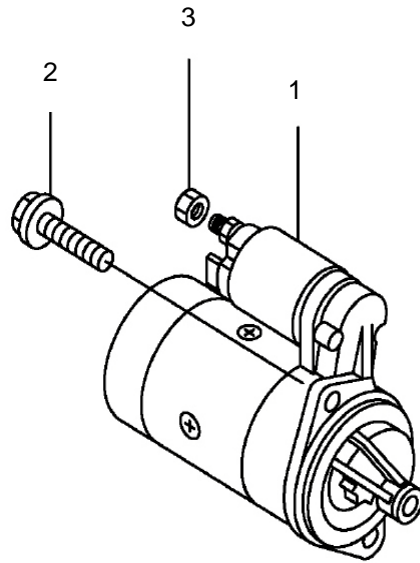
RECOIL STARTER ASSEMBLY



000775

Item	Part No.	Description	Qty.
1	0L13630216	RECOIL ASSEMBLY	1
2	0L13630217	STARTER PULLEY	1
3	0L13630235	PLATED BOLT (M6X8)	4
4	0J74880107	PLATED BOLT (M6X12)	3

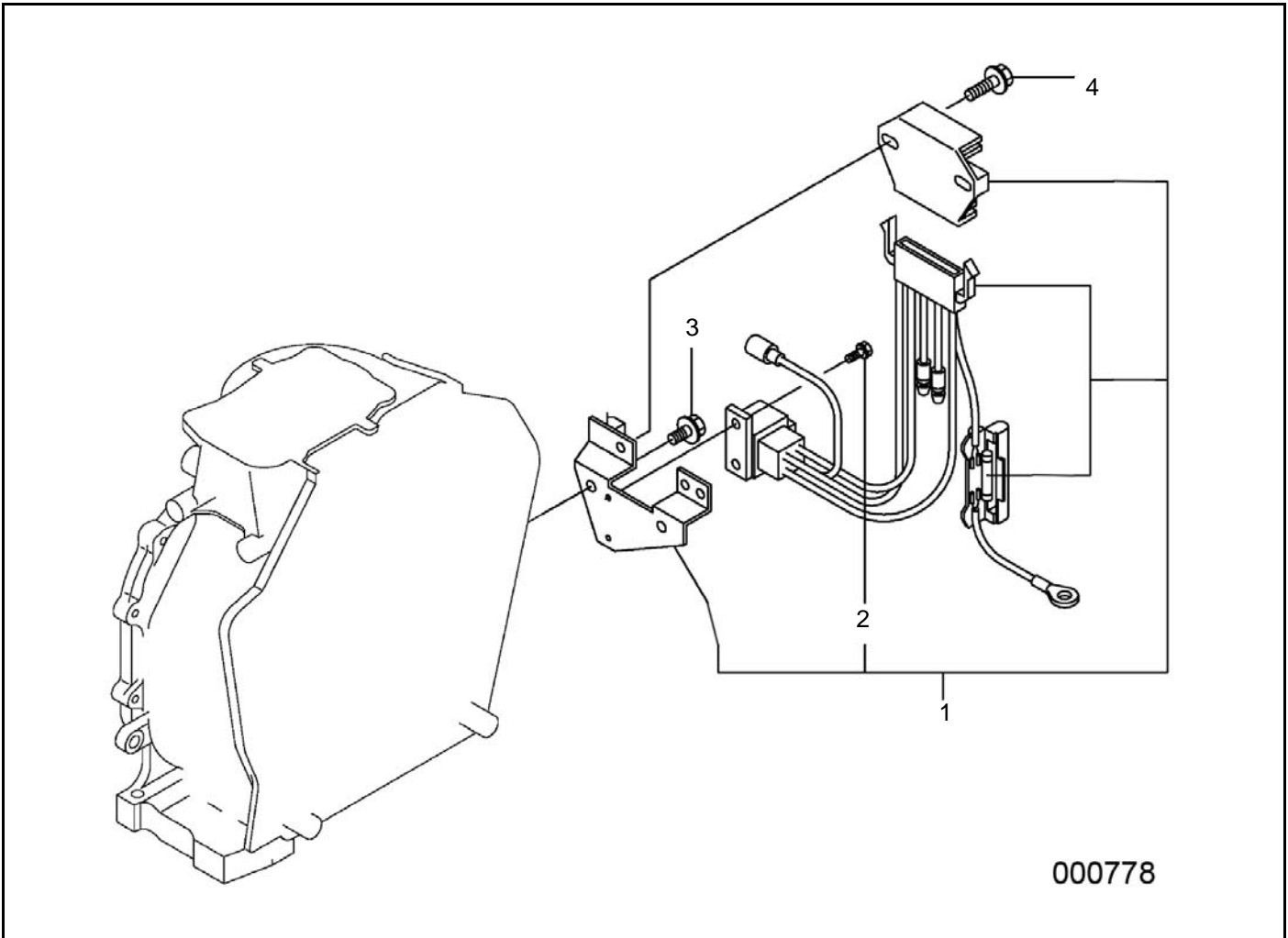
STARTING MOTOR



000777

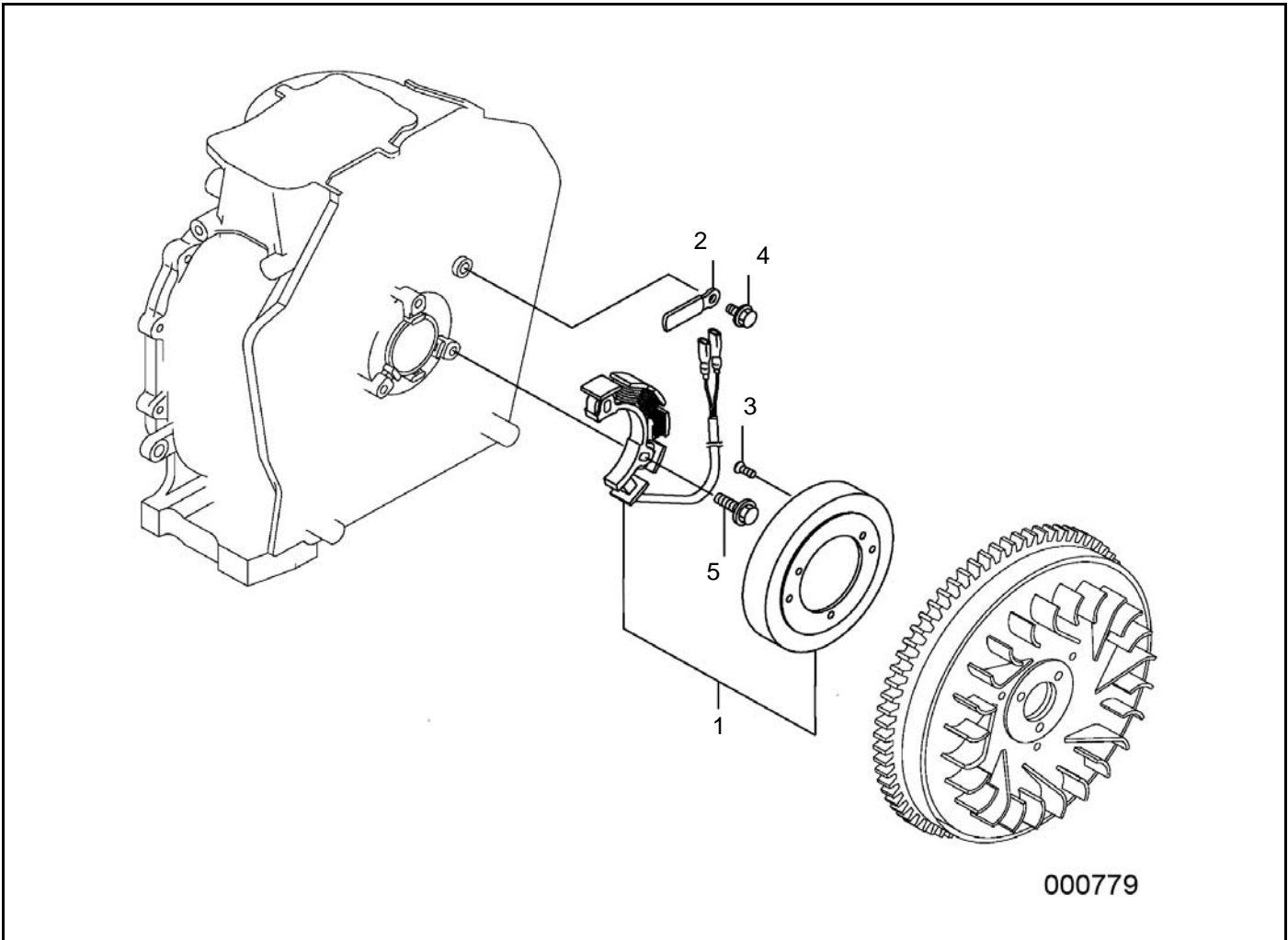
Item	Part No.	Description	Qty.
1	0L13630218	STARTER ASSEMBLY	1
2	0L13630236	PLATED BOLT (M10X30)	2
3	0L13630237	NUT (M8)	1

HARNESS AND REGULATOR



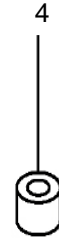
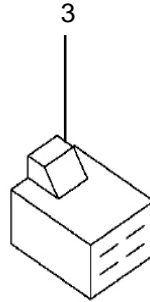
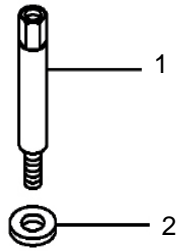
Item	Part No.	Description	Qty.
1	0L13630219	REGULATOR AND HARNESS ASSEMBLY	1
2	0L13630238	SCREW (M4X10)	2
3	0J74880107	PLATED BOLT (M6X12)	2
4	0J74890122	PLATED BOLT (M6X20)	2

DYNAMO ASSEMBLY



Item	Part No.	Description	Qty.
1	0L13630220	DYNAMO ASSEMBLY	1
2	0L13630221	CORD CLAMP	1
3	0L13630222	COUNTERSUNK SCREW (M6)	3
4	0J74880107	PLATED BOLT (M6X12)	1
5	0J74890122	PLATED BOLT (M6X20)	3

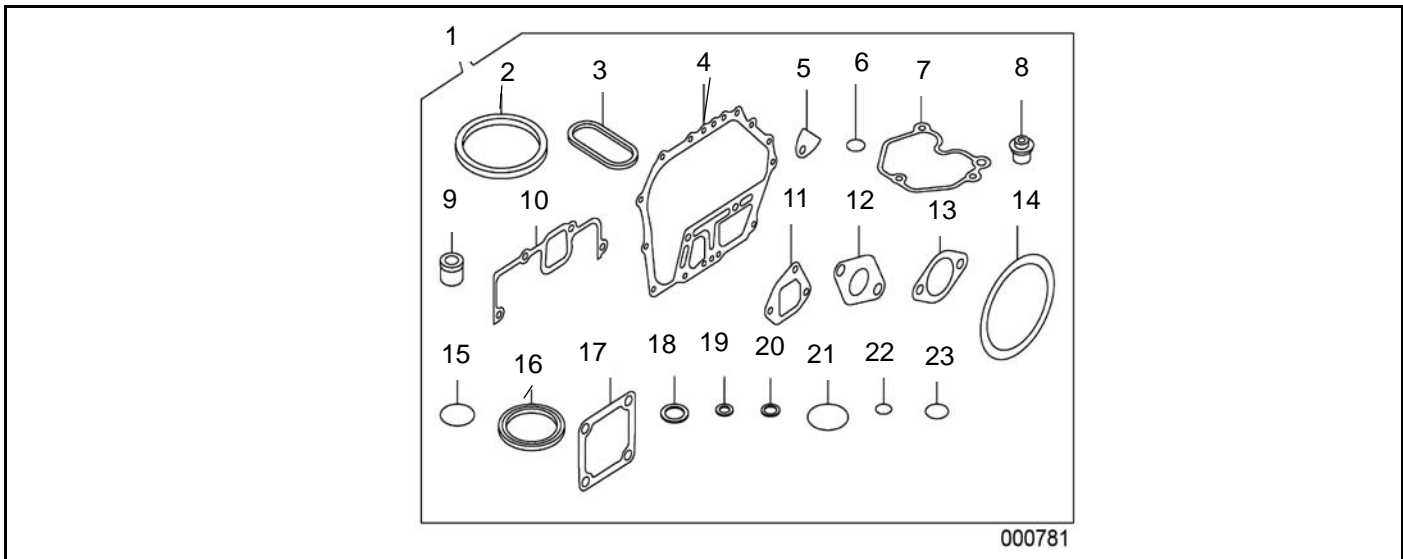
ACCESSORIES



000780

Item	Part No.	Description	Qty.
1	0L13630225	LIFTING BOLT	1
2	0J74890110	WASHER (8)	1
3	0L13630226	COUPLER	1
4	0L13630227	ORIFICE	1

TOOL AND GASKET SET



Item	Part No.	Description	Qty.
1	0L13630228	TOOL AND GASKET SET	1
2		HEAD GASKET	1
3		O-RING	1
4		CRANKCASE GASKET	1
5		GASKET	1
6		O-RING 18	2
7		VALVE COVER GASKET	1
8		VALVE STEM SEAL	2
9		NOZZLE GASKET	1
10		AIR CLEANER GASKET	1
11		AIR CLEANER GASKET	2
12		MUFFLER GASKET	1
13		PIPE GASKET	1
14		GASKET	1
15		O-RING	1
16		GASKET	4
17		GASKET	3
18		SEAL WASHER 16	2
19		GASKET (8X1.0)	1
20		GASKET (12X1.0)	1
21		O-RING (1AP40.0)	1
22		O-RING (1AS15.0)	2
23		O-RING (1AS22.4)	1



Part No. 0L1363PMNL Rev A 08/13/2015 Printed in USA
© Generac Power Systems, Inc. All rights reserved
Specifications are subject to change without notice.
No reproduction allowed in any form without prior written
consent from Generac Power Systems, Inc.

Generac Power Systems, Inc.
S45 W29290 Hwy. 59
Waukesha, WI 53189
1-888-GENERAC (1-888-436-3722)
generac.com