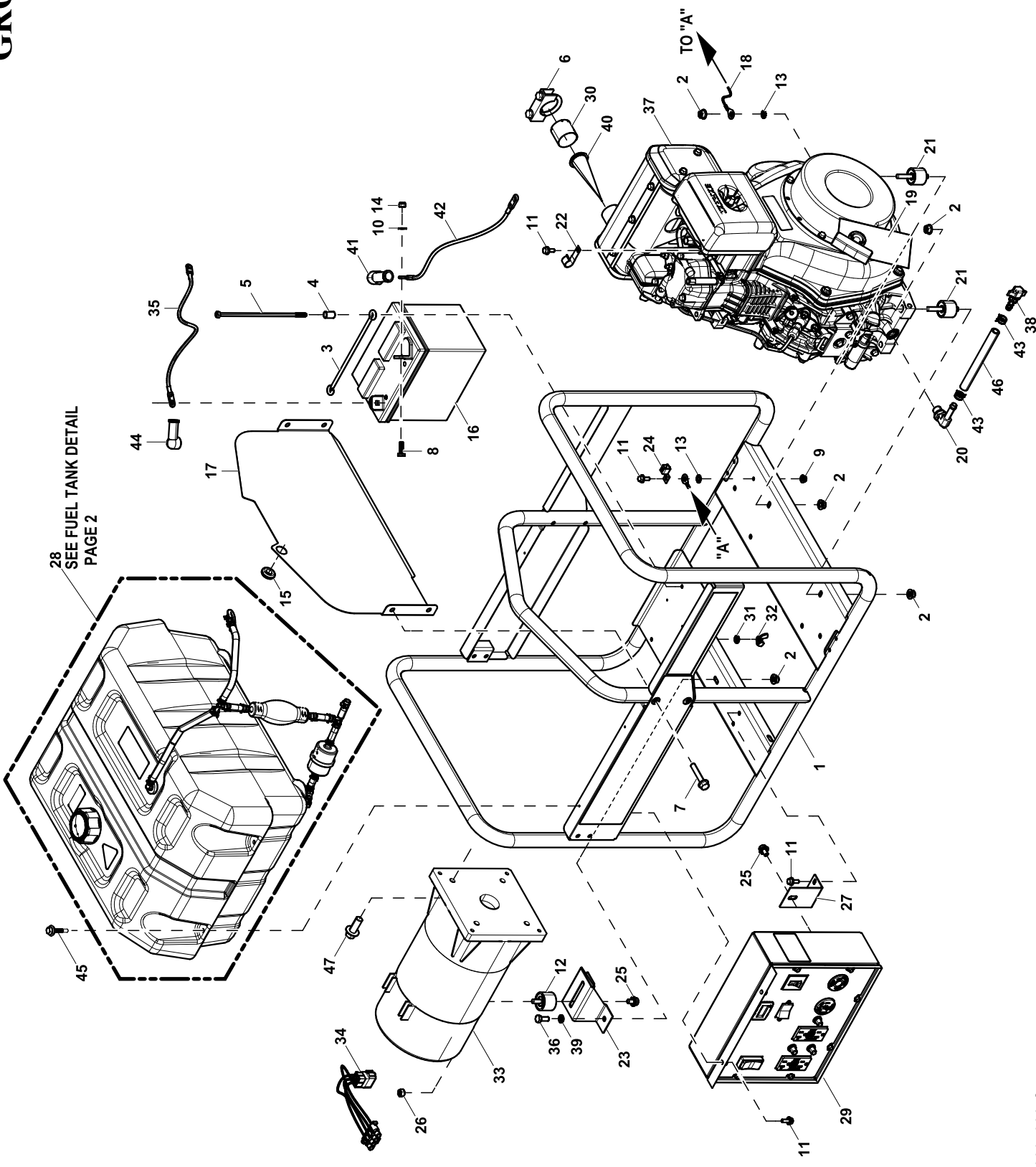
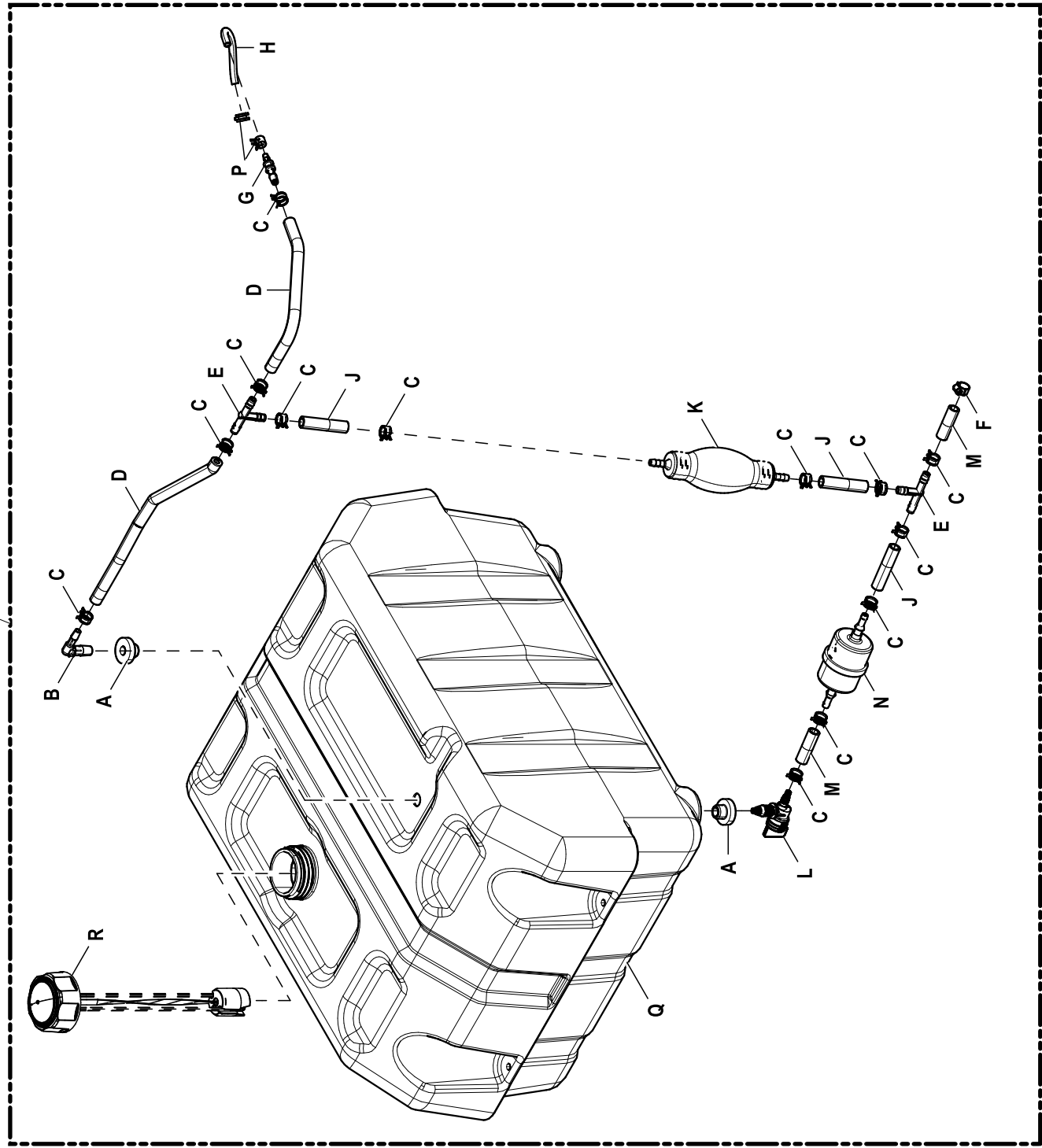


GROUP EV



GROUP EV

28



EXPLODED VIEW: EV XD5000E EV

DRAWING #: 0L4513

GROUP EV

ITEM	PART#	QTY.	DESCRIPTION
1	10000017268	1	CRADLE
2	067989	10	NUT HEX FL WHIZ M8-1.25
3	0L0798	1	BRACKET BATTERY HOLD-DOWN
4	0L0802	2	SPACER .38 ID X .50 OD X .75 L
5	0L0797	2	BOLT HH 1/4-20 X 8.00 GR5 ZP (
6	0D5823	1	BOLT U 5/16-18 X 1.62 W/SADDLE
7	0H1779	4	SCREW,HHFC M8-1.25 X 45
8	0L0647	2	BOLT HH 1/4-20 X .75 GR5 ZP
9	0E8388	1	NUT HEX FL WHIZ M6-1.0
10	0L0419	2	WASHER FLAT 1/4 TYPE A ZP (NAS
11	0G0926	6	SCREW HHFCS M6-1 X 16 G8.8
12	0H1783	1	VIB MNT 35MM X 25.4 X M8-1.25
13	027482	2	WASHER LOCK EXT 5/16 STL
14	0L0463	2	NUT NYLOC 1/4-20 ZP (NASP)
15	096021	1	GROMMET .75 X .06 X .50
16	0J5584	1	BATTERY, SERVICE-U1
17	0L1785	1	HEAT SHIELD XD5000E
18	0L0366	1	ASSY WIRE GRN/YEL 12 GA 5.50 GR
19	0H0176	1	TAG, OIL FILL TRILINGUAL
20	0L3565	1	ELBOW ADAPTER M16-1.5 X 3/8BRB
21	085651	4	VIB MNT 25 X 31.8 X M8-1.25
22	082121C	1	CLIP-J VINYL COAT .625 ID
23	0L1540	1	BRACKET STATOR A5500
24	055414	1	LUG SLDLSS #2-#8 X 17/64 CU
25	0K8288	2	SCREW HHFCS M8-1.25 X 12 C8.8
26	049820	1	NUT HEX LOCK M8-1.25 NY INS
27	0L1558	1	BRACKET CONTROL A5500
28	0L1524	1	ASSY TANK FUEL 12 GAL S5500
A	0L1647	2	BUSHING FUEL VITON
B	0L1644	1	REDUCER ELBOW, BARBED .375-.25
C	048031C	13	CLAMP HOSE BAND .50
D	0F9176C	2	HOSE,1/4" SAE30R7 GREENBAR 9"
E	0H7765B	2	FITTING BARBED T 1/4 NYLON
F	0C7649	1	CLAMP HOSE .38-.87
G	0L0456	1	CONNECTOR STR 1/4 BRB X 3/16 B
H	0L2409B	1	HOSE FUEL 3/16" ID X 4" LG
J	0F9176G	3	HOSE,1/4" SAE30R7 GREENBAR 2"
K	0L2611	1	BULB FUEL PRIMER 1/4IN
L	0L0884	1	VALVE FUEL 90 DEG W/O FILTER P
M	0F9176V	2	HOSE,1/4" SAE30R7 GRENBAR 1.5"
N	G080101	1	FUEL FILTER FB1-01544 5U
P	048031G	2	CLAMP HOSE BAND .41
Q	0L1933	1	TANK FUEL PLASTIC 12GAL DIESEL
R	0L2657	1	CAP FUEL DIESEL W/FUEL GAUGE
29	0L1523	1	PANEL WIRED XD5000E
30	0D5133A	1	RETAINER, SPARK ARREST SCREEN
31	022097	2	WASHER LOCK M6-1/4
32	0L0821	2	NUT WING 1/4-20 ZP
33	AMM6000RB0000Z	1	ALTERNATOR S16W-130/A 6/120/240/60/3600 J609B
34	0L1638	1	HARNESS WIRE ALTERNATOR TO PANEL
35	0388040AK0	1	CABLE BATT RED #6 X 20 PRTBL
36	039253	2	SCREW HHC M8-1.25 X 20 C8.8
37	0L1363	1	ENGINE 435CC (G40) DIESEL
38	0G4426	1	ASSY OIL DRAIN FITTING,YELLOW
39	058653	2	WASHER FLAT M8
40	0D5133	1	SCREEN SPARK ARRESTOR
41	0L1642	1	COVER BATTERY POST BLACK
42	0388050AF0	1	CABLE BATT BLK #6 X 13 PORTBLE
43	048031E	2	CLAMP HOSE BAND .66
44	0L0878	1	COVER BATTERY POST ELL-TRON 47
45	0L0861	4	SCREW #10 X 1 HEX SDS W/NEOPRENE
46	0F0452C	1	HOSE 3/8" 300DEG 6" LONG OIL
47	0L5078	4	SCREW HHFC M8-1.25 X20 W/PATCH

EXPLODED VIEW: EV XD5000E EV

DRAWING #: 0L4513

GROUP EV

ITEM	PART#	QTY.	DESCRIPTION
-------------	--------------	-------------	--------------------

This page left blank intentionally