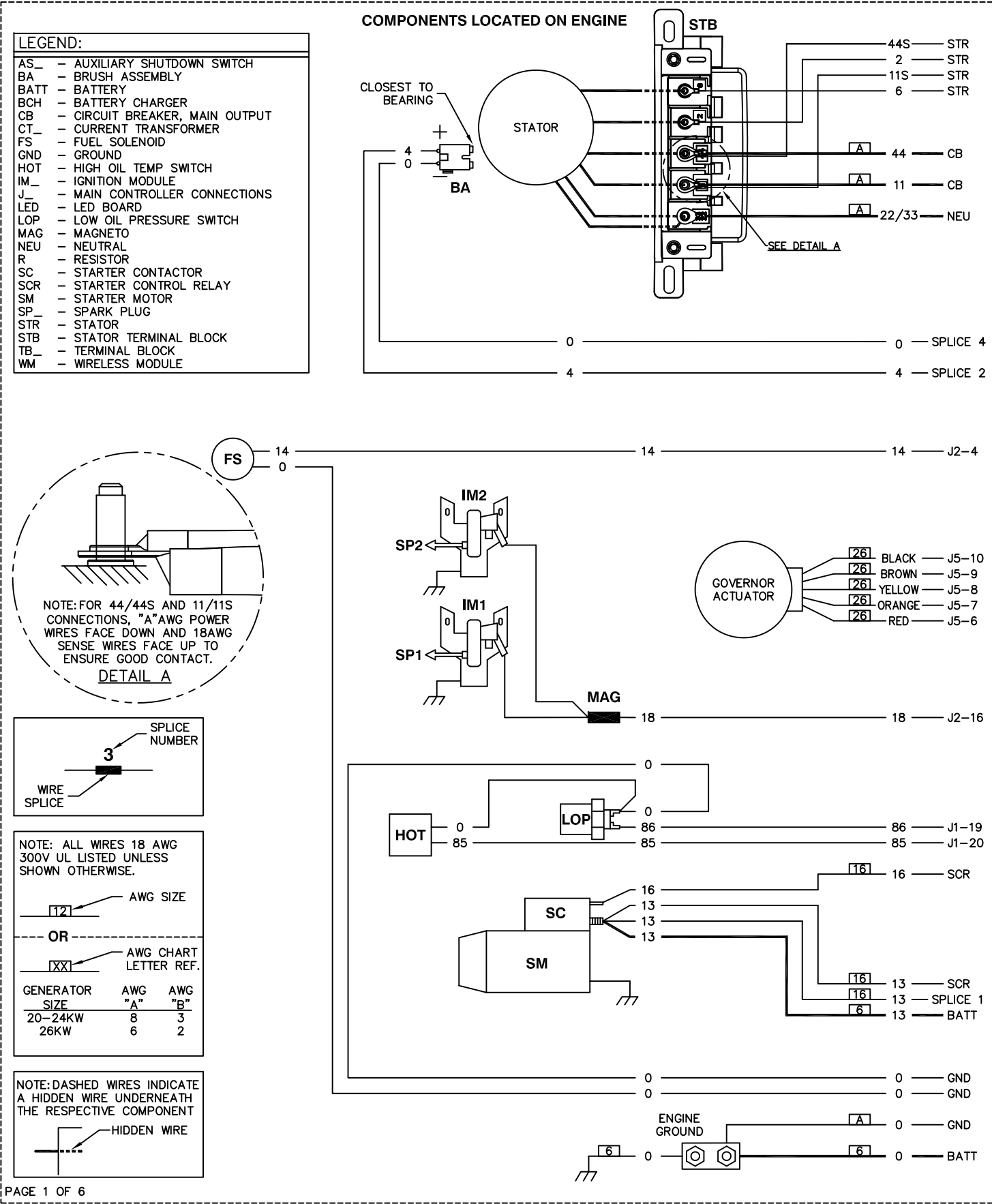
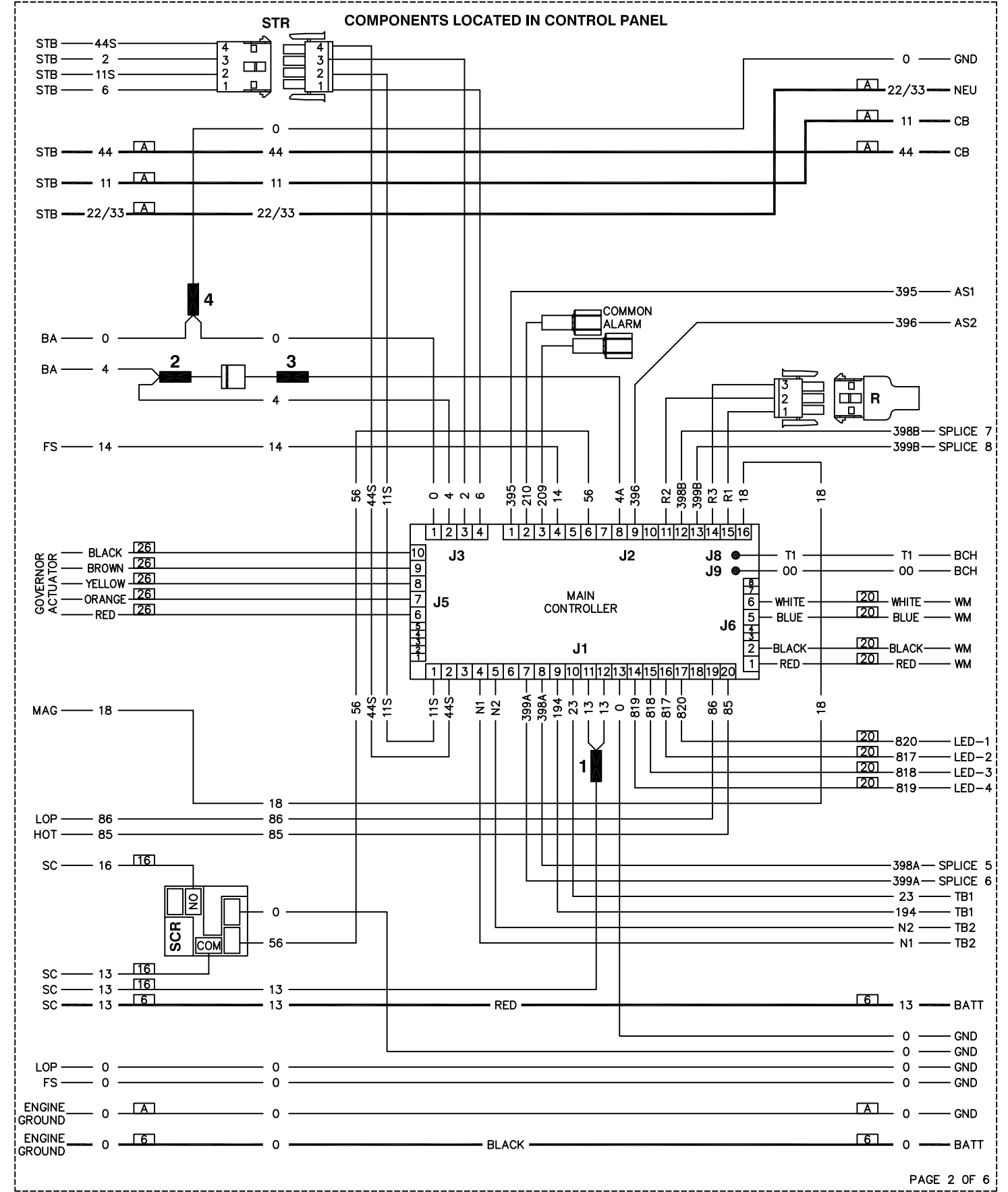


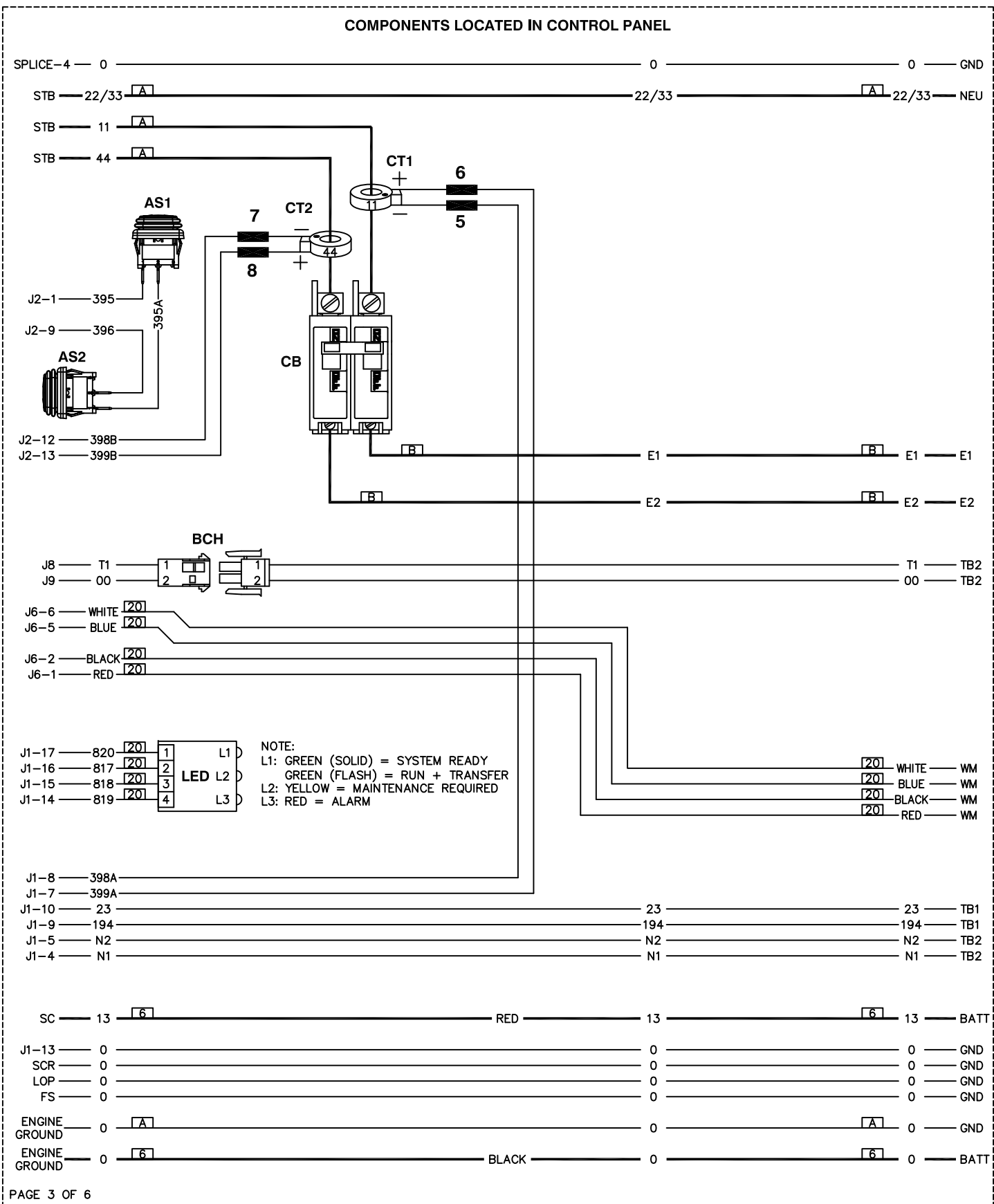
GROUP WD



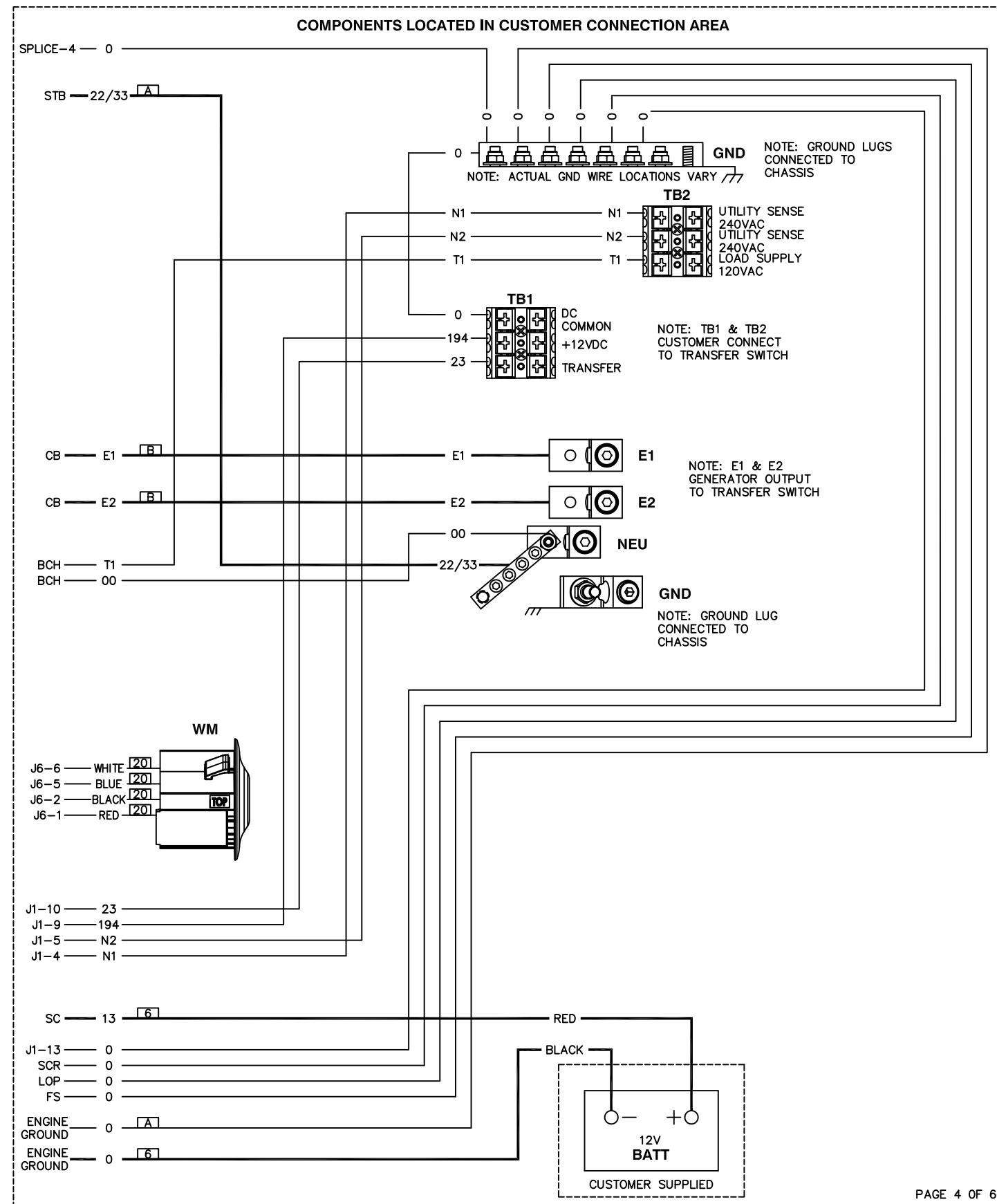
GROUP WD



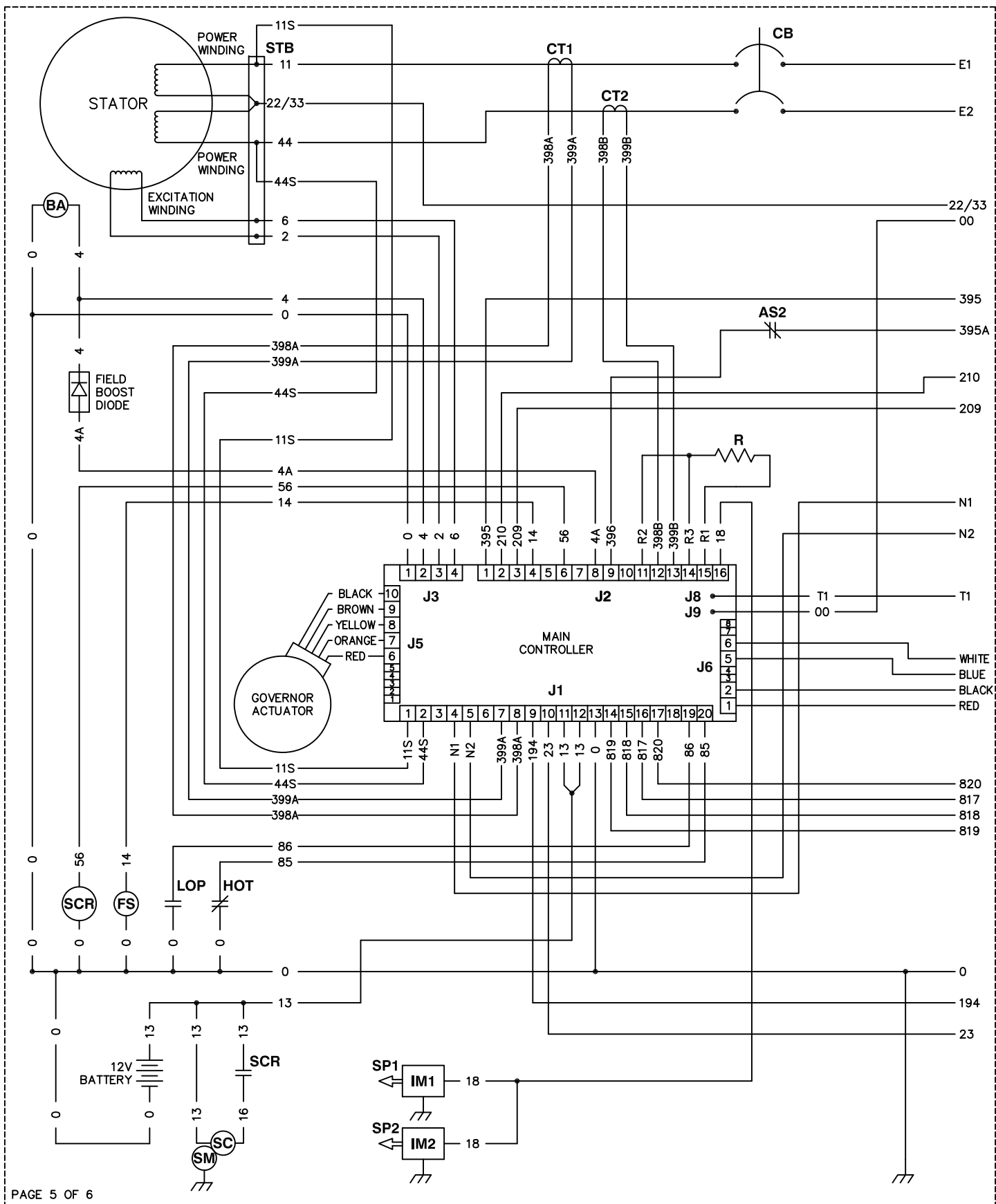
GROUP WD



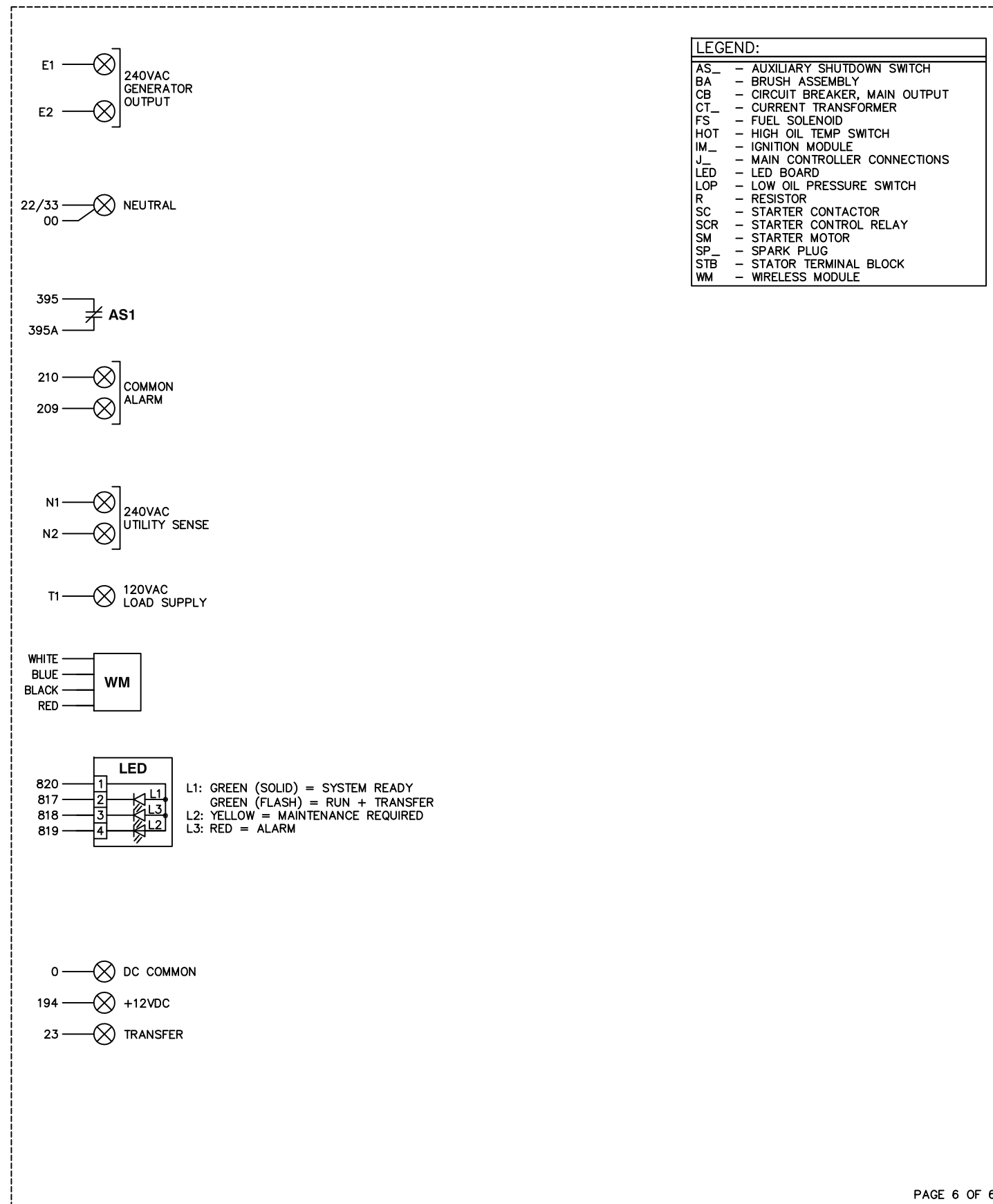
GROUP WD



GROUP WD



GROUP WD



LEGEND:	
AS_	- AUXILIARY SHUTDOWN SWITCH
BA	- BRUSH ASSEMBLY
CB	- CIRCUIT BREAKER, MAIN OUTPUT
CT_	- CURRENT TRANSFORMER
FS	- FUEL SOLENOID
HOT	- HIGH OIL TEMP SWITCH
IM_	- IGNITION MODULE
J_	- MAIN CONTROLLER CONNECTIONS
LED	- LED BOARD
LOP	- LOW OIL PRESSURE SWITCH
R	- RESISTOR
SC	- STARTER CONTACTOR
SCR	- STARTER CONTROL RELAY
SM	- STARTER MOTOR
SP_	- SPARK PLUG
STB	- STATOR TERMINAL BLOCK
WM	- WIRELESS MODULE