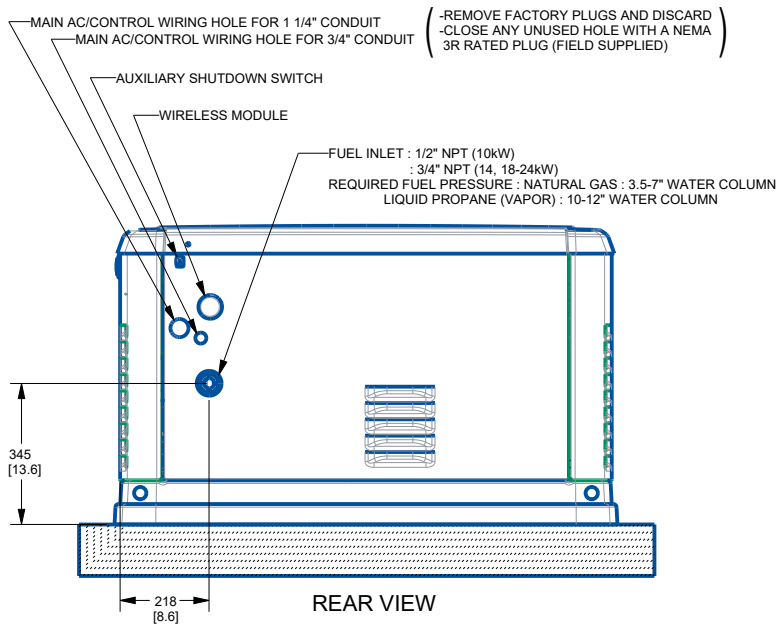
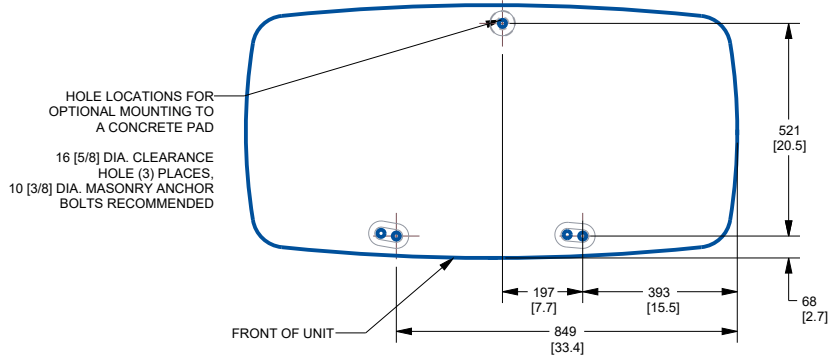
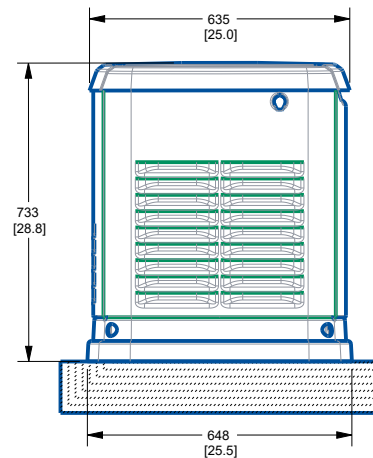


TRANSFER SWITCH
(IF SUPPLIED)

MOUNTING TO CONCRETE PAD



REAR VIEW



LEFT SIDE VIEW

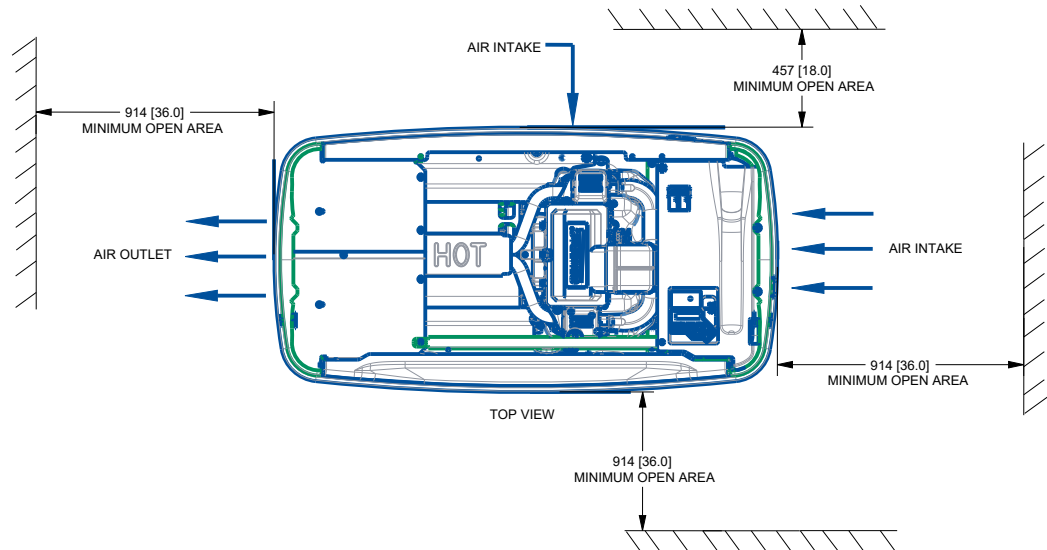
ALL DIMENSIONS IN:
MILLIMETERS [INCHES]

INSTALLATION DRAWING

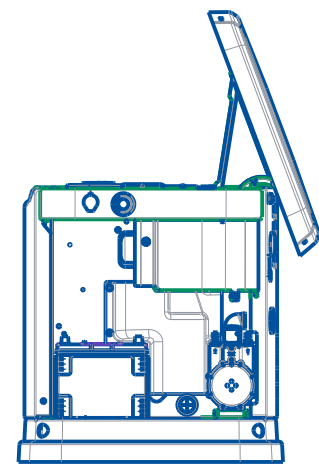
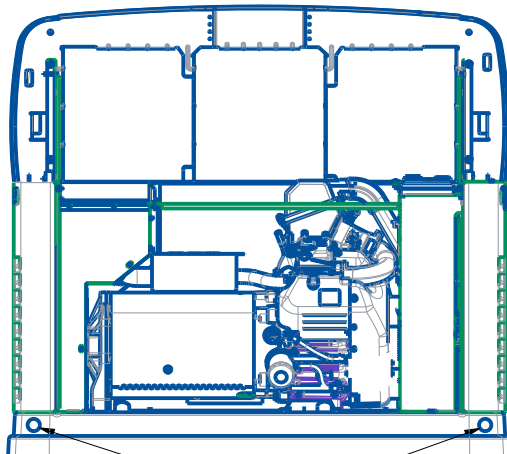
TITLE

INSTALL HSB GENERATOR WM 60HZ

SIZE A	CAGE NO N/A	DWG NO A0000973347	REV A
SCALE NTS	WT-KG N/A	SHEET 1 of 2	

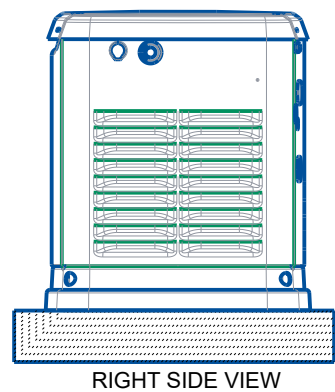
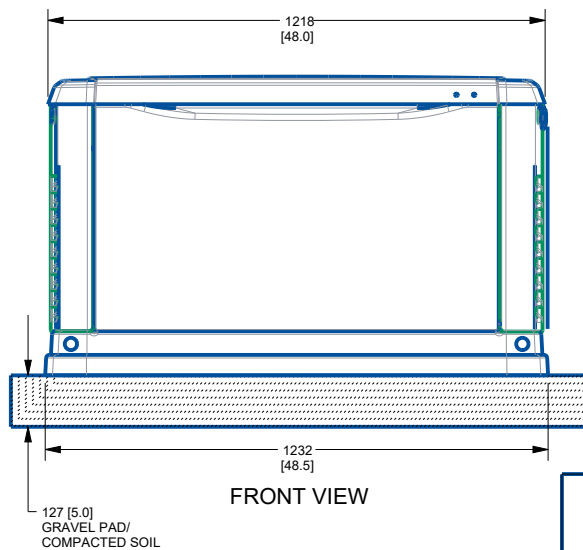


"DO NOT LIFT BY ROOF"



LIFTING HOLES 4 CORNERS: $\varnothing 30$ ($\varnothing 1.2$)
 - MUST BE LIFTED WITH STEEL RODS
 - RECOMMENDED LIFTING ROD SIZE: $\varnothing 25$ ($\varnothing 1.0$)

RIGHT VIEW
INTAKE PANEL REMOVED



FRONT VIEW

RIGHT SIDE VIEW

INSTALLATION DRAWING

TITLE

INSTALL HSB GENERATOR WM 60HZ

SIZE A	CAGE NO N/A	DWG NO A0000973347	REV A
SCALE NTS	WT-KG N/A	SHEET 2 of 2	

ALL DIMENSIONS IN:
MILLIMETERS [INCHES]