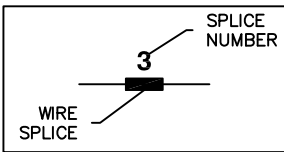
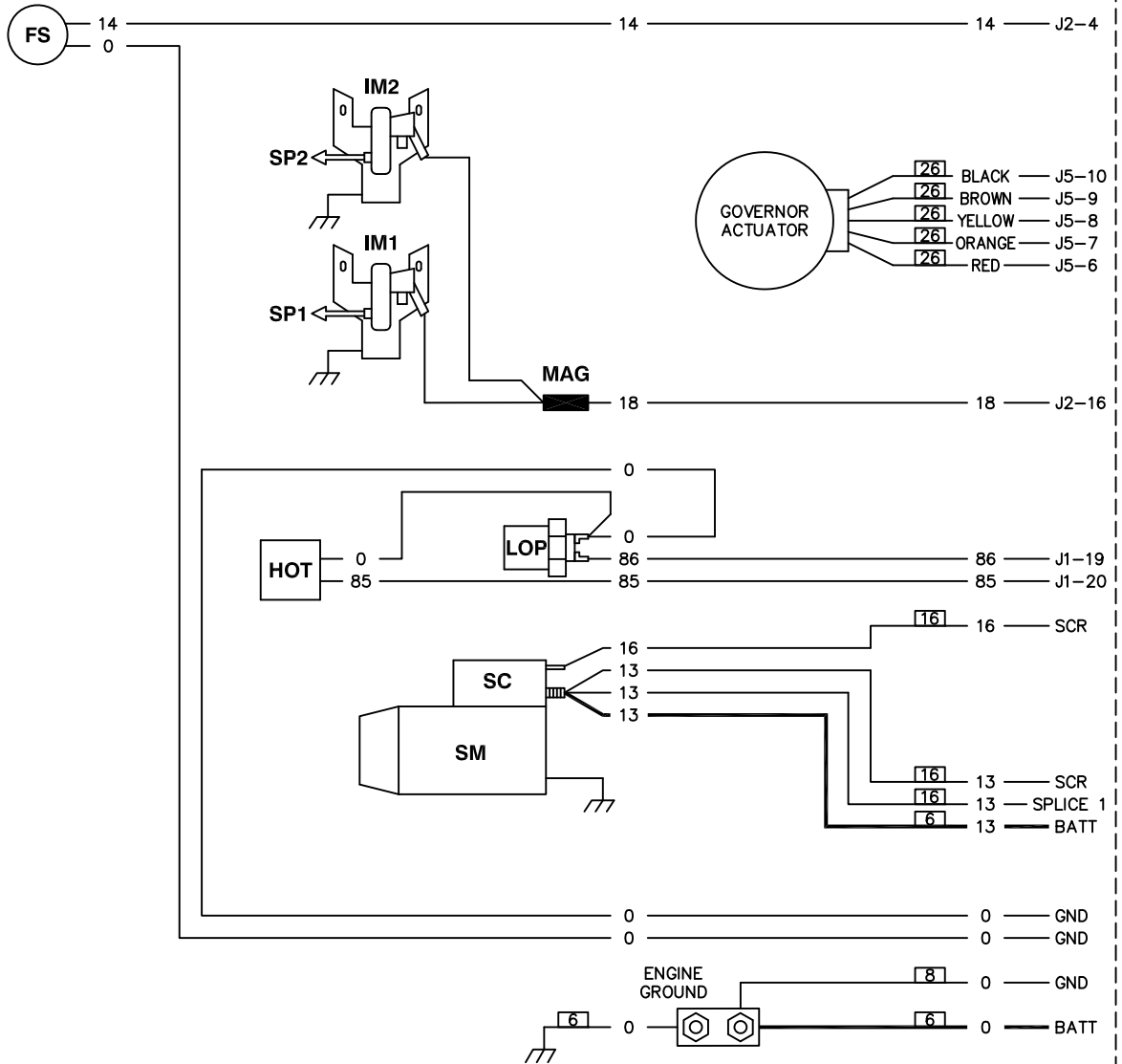
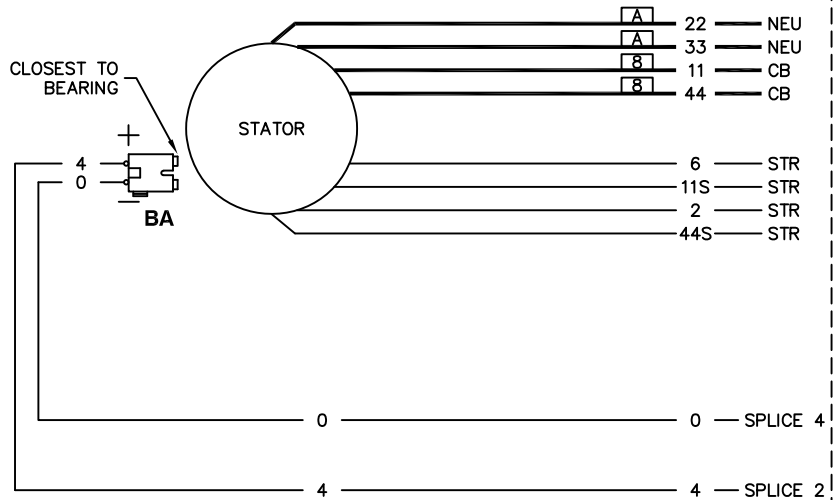


COMPONENTS LOCATED ON ENGINE

LEGEND:

- AS_ - AUXILIARY SHUTDOWN SWITCH
- BA - BRUSH ASSEMBLY
- BATT - BATTERY
- BCH - BATTERY CHARGER
- CB - CIRCUIT BREAKER, MAIN OUTPUT
- CT_ - CURRENT TRANSFORMER
- FS - FUEL SOLENOID
- GND - GROUND
- HOT - HIGH OIL TEMP SWITCH
- IM_ - IGNITION MODULE
- J_ - MAIN CONTROLLER CONNECTIONS
- LED - LED BOARD
- LOP - LOW OIL PRESSURE SWITCH
- MAG - MAGNETO
- NEU - NEUTRAL
- R - RESISTOR
- SC - STARTER CONTACTOR
- SCR - STARTER CONTROL RELAY
- SM - STARTER MOTOR
- SP_ - SPARK PLUG
- STR - STATOR
- TB_ - TERMINAL BLOCK
- WM - WIRELESS MODULE



NOTE: ALL WIRES 18 AWG 300V UL LISTED UNLESS SHOWN OTHERWISE.

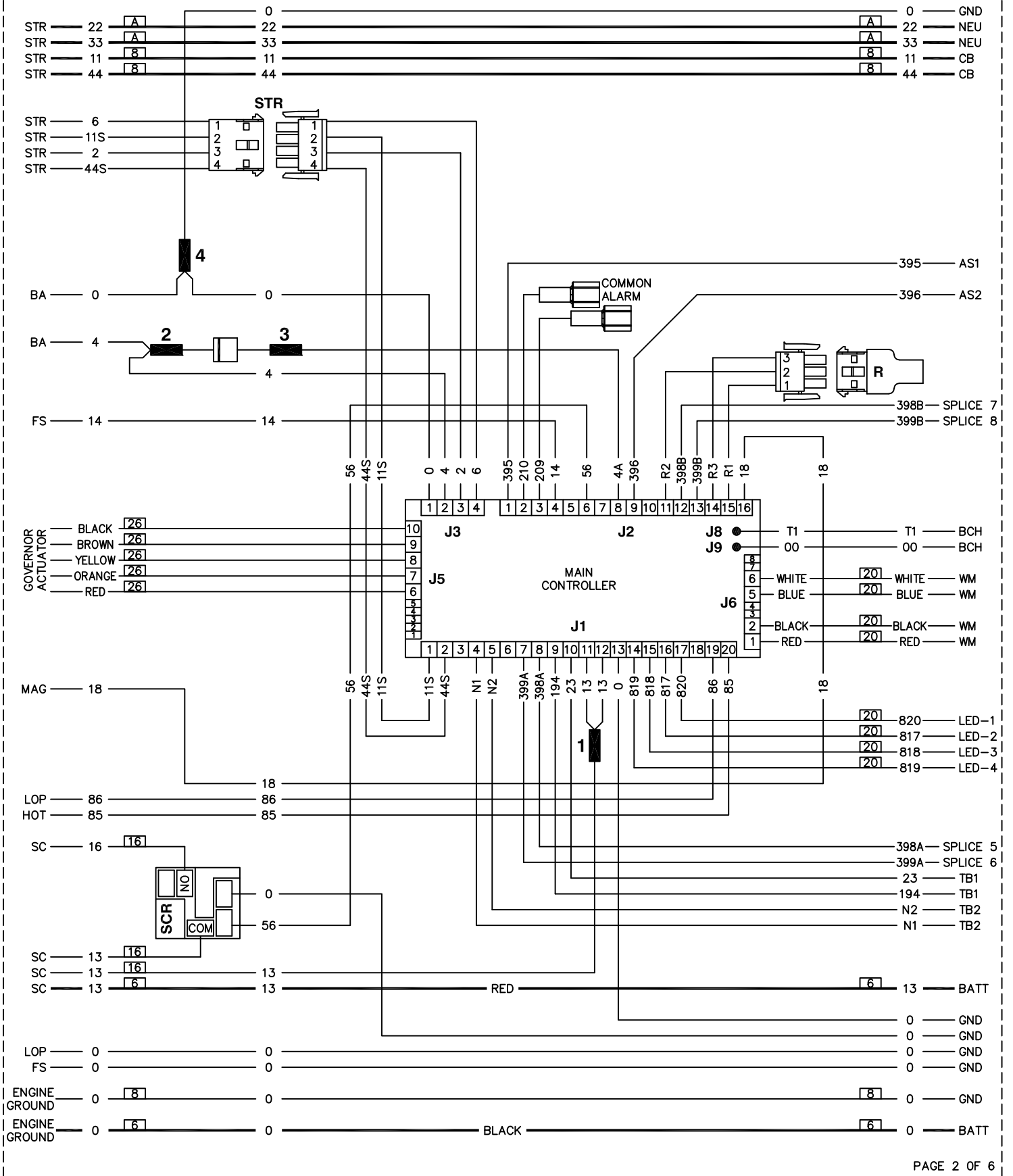
AWG SIZE: [12]

OR

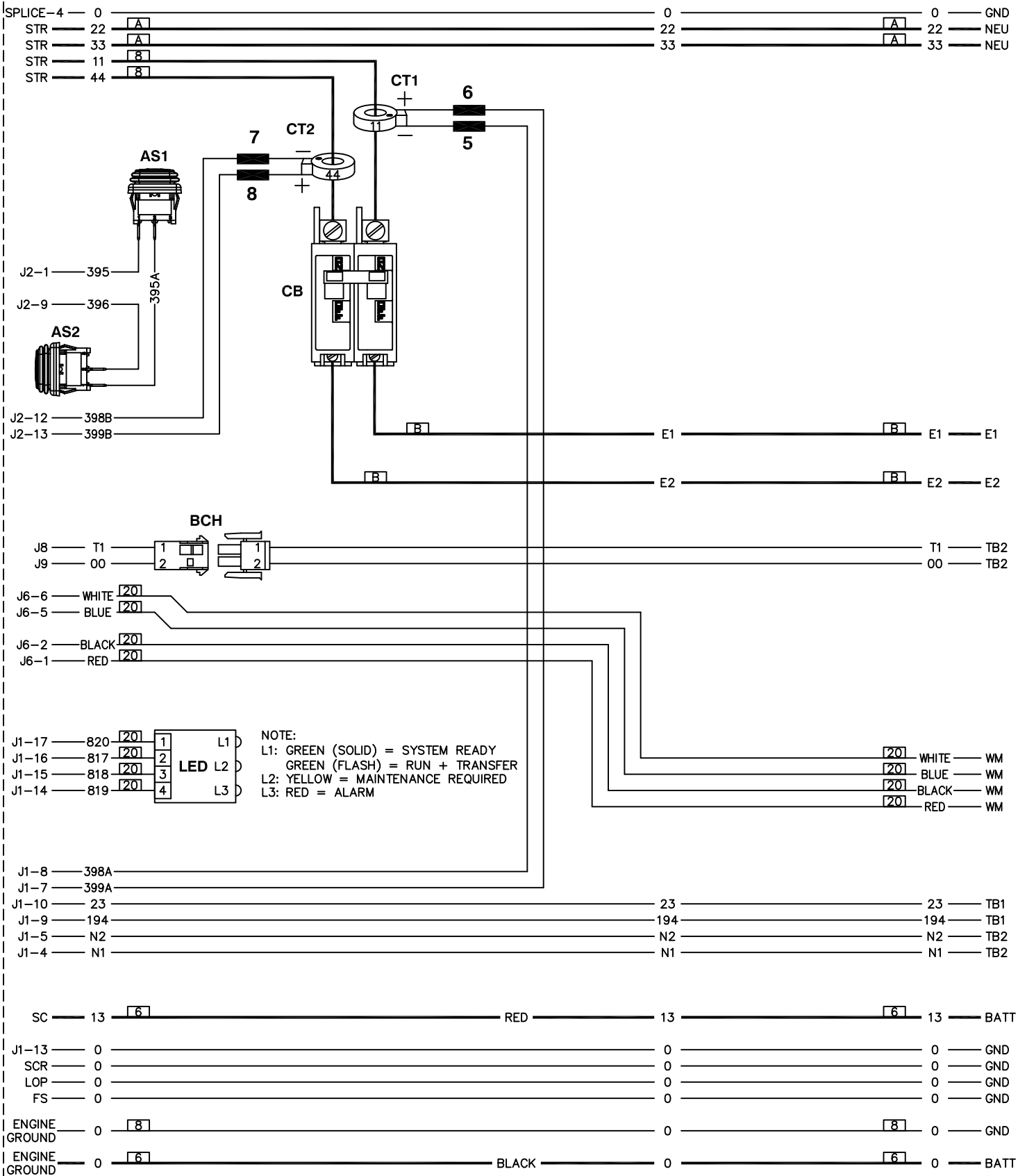
AWG CHART LETTER REF.: [XX]

GENERATOR SIZE	AWG "A"	AWG "B"
16-17KW	10	4
20-22KW	8	3

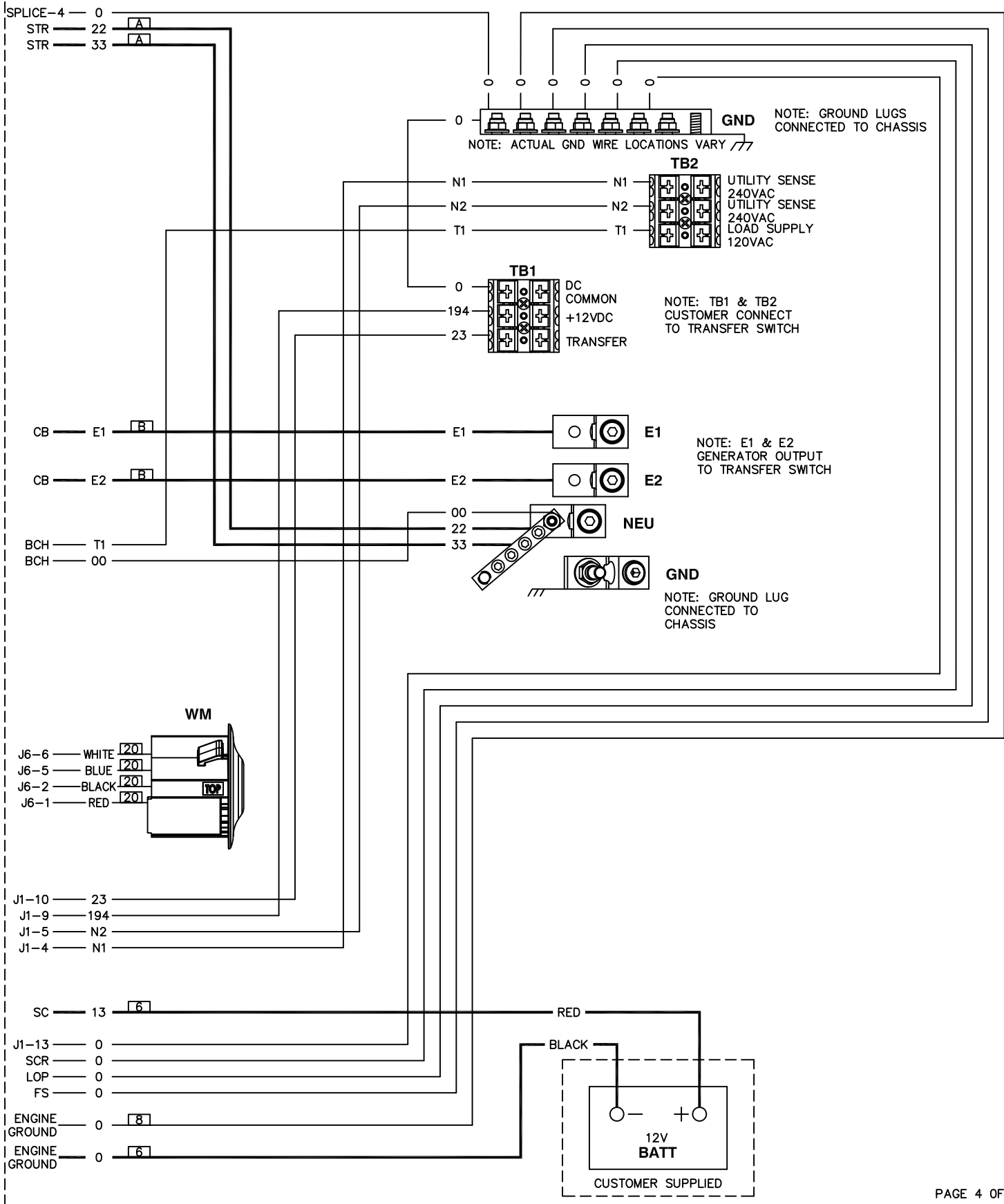
COMPONENTS LOCATED IN CONTROL PANEL

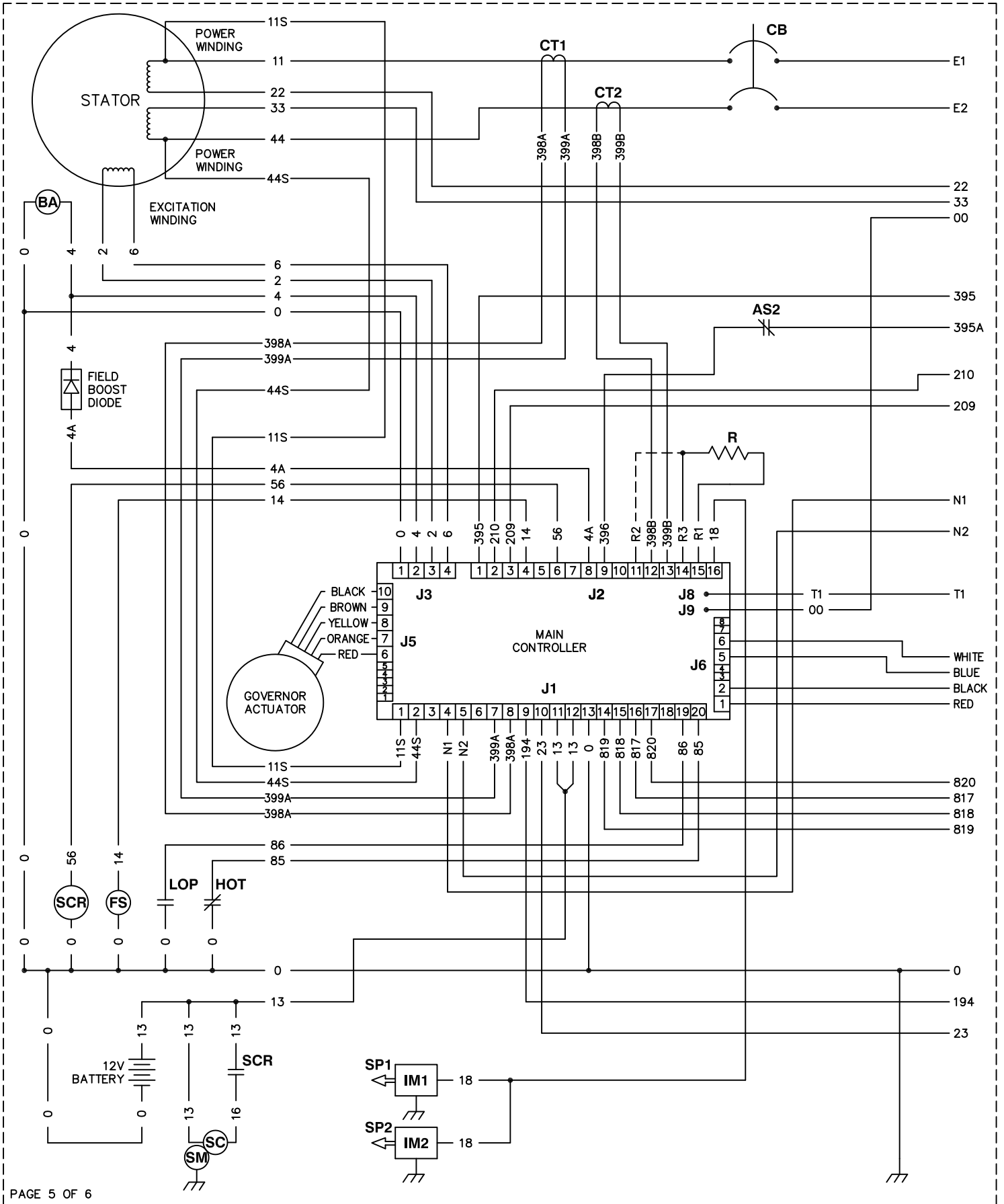


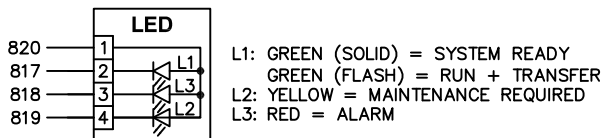
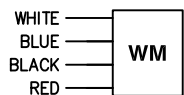
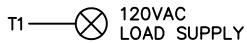
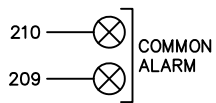
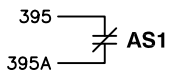
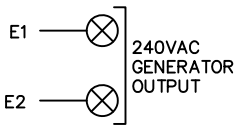
COMPONENTS LOCATED IN CONTROL PANEL



COMPONENTS LOCATED IN CUSTOMER CONNECTION AREA







LEGEND:

AS_	-	AUXILIARY SHUTDOWN SWITCH
BA	-	BRUSH ASSEMBLY
CB	-	CIRCUIT BREAKER, MAIN OUTPUT
CT_	-	CURRENT TRANSFORMER
FS	-	FUEL SOLENOID
HOT	-	HIGH OIL TEMP SWITCH
IM_	-	IGNITION MODULE
J_	-	MAIN CONTROLLER CONNECTIONS
LED	-	LED BOARD
LOP	-	LOW OIL PRESSURE SWITCH
R	-	RESISTOR
SC	-	STARTER CONTACTOR
SCR	-	STARTER CONTROL RELAY
SM	-	STARTER MOTOR
SP_	-	SPARK PLUG
WM	-	WIRELESS MODULE

