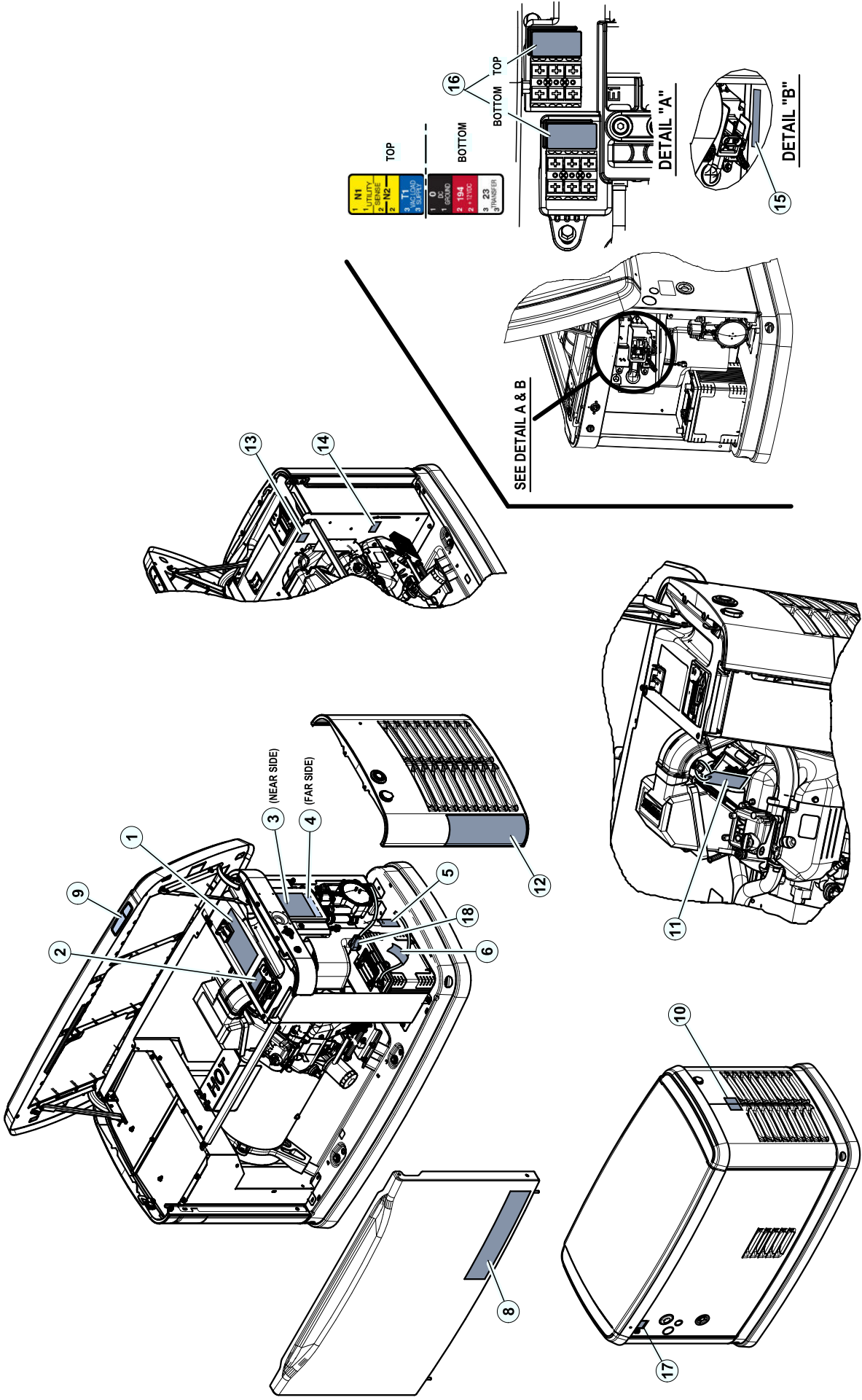


# GROUP H



TOP		BOTTOM	
1	NI	1	0
2	Utility	2	194
3	NI	3	23
4	NI	4	MANIFOLD

**EXPLODED VIEW: EV DECALS / LOOSE PARTS 60HZ GENERAC**

**DRAWING #: A0000973384**

**GROUP H**

<b>ITEM</b>	<b>PART#</b>	<b>QTY.</b>	<b>DESCRIPTION</b>
1	1000000420	1	DECAL SAFETY AND INSTRUCTIONS 60HZ
2	1000000416	1	DECAL BRANDING EVOLUTION 2.0 HSB
3	1000000412	1	DECAL CAUTION ELECTRICAL SHOCK 60HZ
4	1000000417	1	DECAL WIRE CONNECTIONS/ TORQUES
5	0F1269	1	TAG LP FUEL SET UP WARNING
6	0H8002	1	DECAL WARNING CONTROL SYSTEM
7	---	--	-----
8	0H2159A	1	DECAL LOGO GENERAC 09 385MM
9	10000031033	1	BADGE ADHESIVE GUARDIAN (10KW)
	A0000909107	1	BADGE ADHESIVE GUARDIAN (14KW)
	A0000909111	1	BADGE ADHESIVE GUARDIAN (18KW)
	10000029516	1	BADGE ADHESIVE GUARDIAN (20KW)
	10000029475	1	BADGE ADHESIVE GUARDIAN (22KW)
	10000029476	1	BADGE ADHESIVE GUARDIAN (24KW)
10	0H8005	1	DECAL CAUTION HOT
11	0K4608	1	TAG FUEL SELECTION
12	10000036468	1	DECAL CAUTION NO USER SERVICE/P65
13	10000013645	1	DECAL AUX SHUTDOWN (14,18-24KW)
14	G050277	1	DECAL OIL DRAIN (10,20-24KW)
15	0G8785	1	DECAL GROUNDING ELECTRODE
16	10000023695	1	DECAL CUSTOMER CONNECT 60HZ 1PH
17	10000013645	1	DECAL AUX SHUTDOWN
	ITEMS PROVIDED LOOSE WITH THE GENERATOR		
18	050331A	1	BATT POST COVER RED +
	0L4835A	1	FUEL LINE FLEX 1/2 NO PVC (10KW)
	0L4836A	1	FUEL LINE FLEX 3/4 NO PVC (14, 18-24KW)
	0J5765	1	DECAL SERVICE ENTRANCE WARNING
	0J6153	1	DECAL WARN THROUGH CONDUCTORS
	0K4772	1	DECAL SERVICE DISCONNECT
	10000044454	1	EWAR SEGS (ESE1) EN (14, 18-24KW)
	10000046247	1	EWAR SSI (E P3) EN (10KW)
	A0000973303	1	OMNL G 10-24kW 60Hz Y20 EN
	A0000973297	1	IMNL G G 10-24kW 60Hz Y20 EN
	10000039087	1	STMNT WNTY RES/COM AFTER 2013 EN
	10000008140	1	MANUAL WIFI MODULE
	10000008141	1	QUICK START GUIDE WIFI MODULE