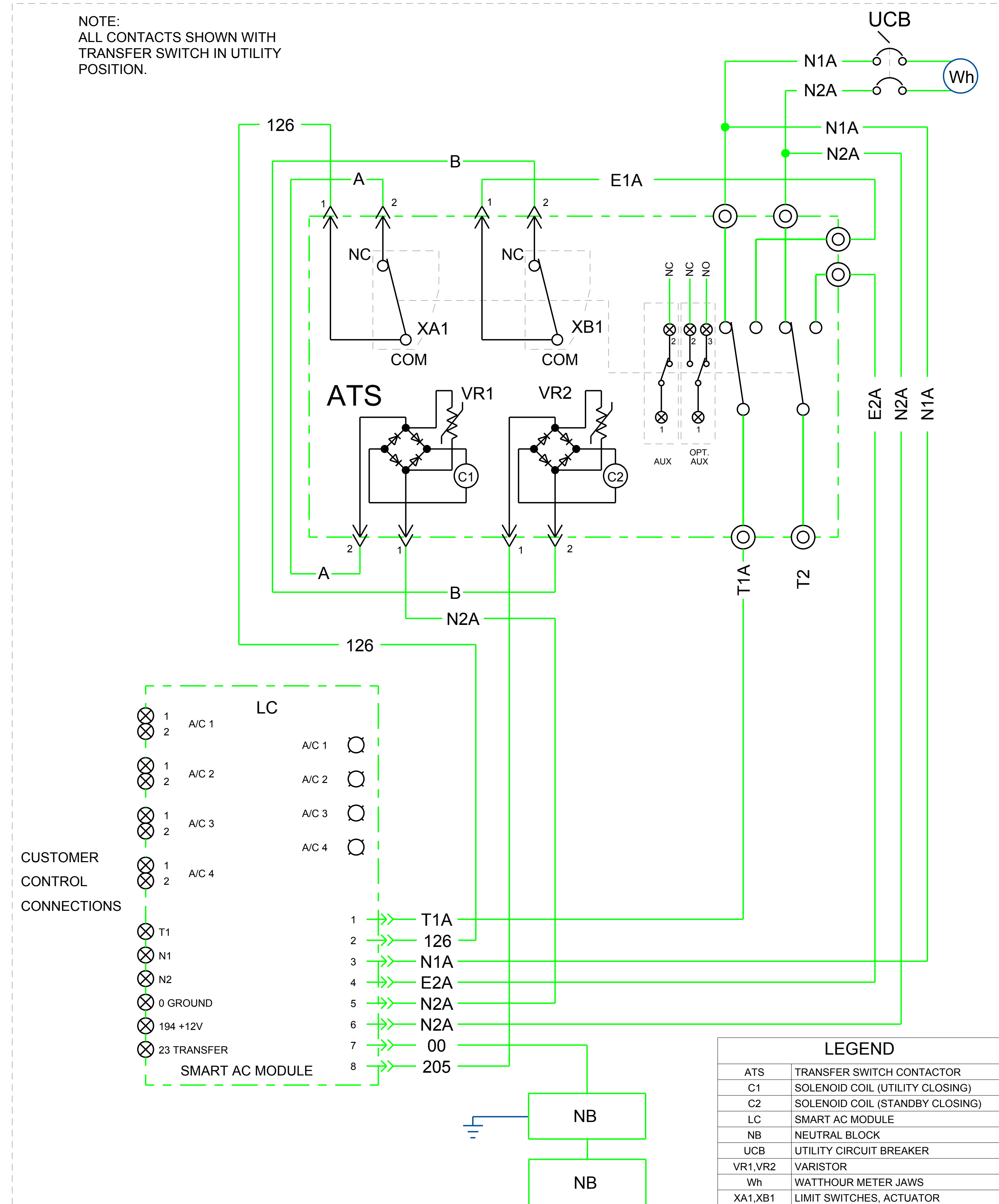
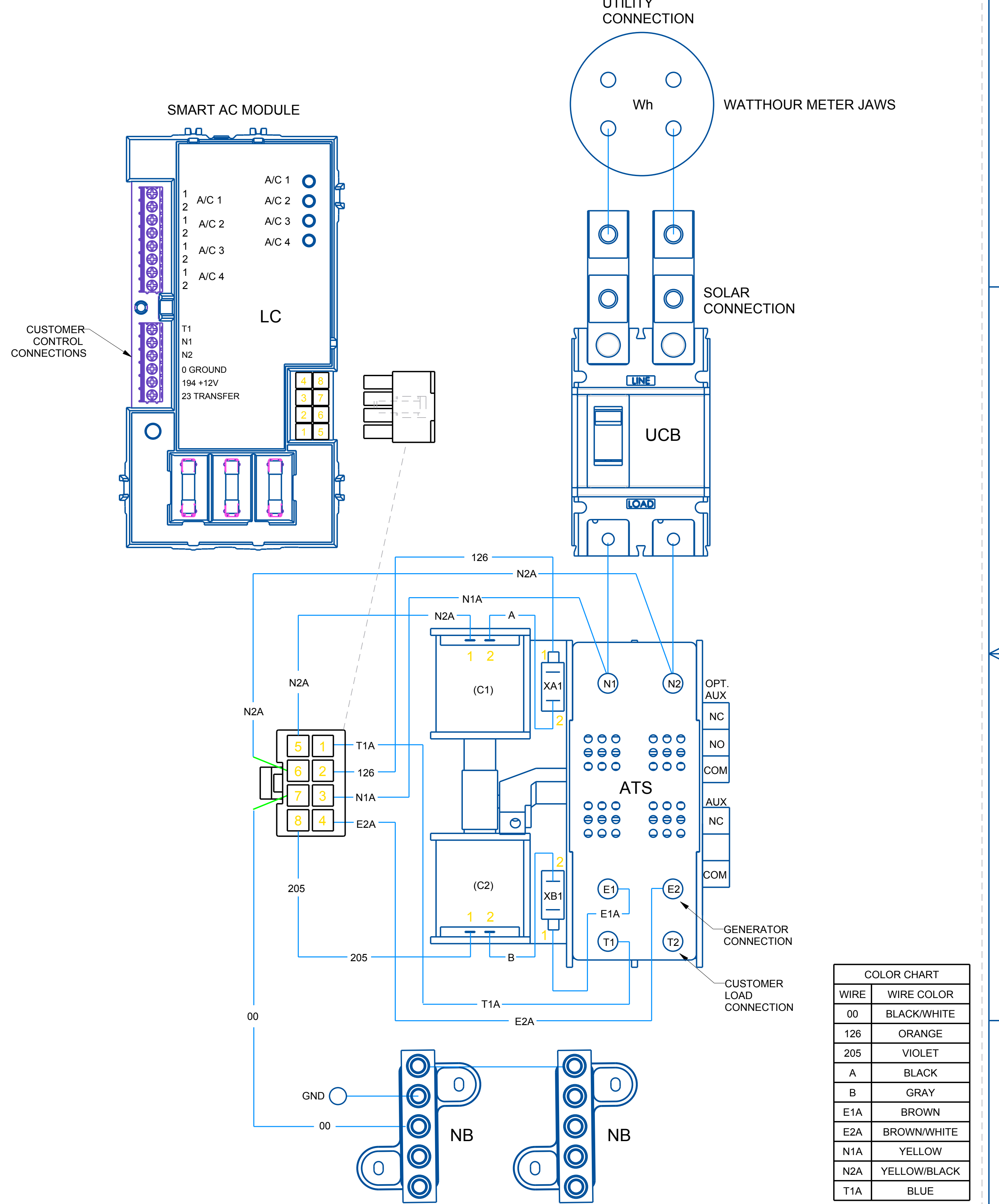


NOTE:
ALL CONTACTS SHOWN WITH
TRANSFER SWITCH IN UTILITY
POSITION.



| LEGEND | |
|---------|---------------------------------|
| ATS | TRANSFER SWITCH CONTACTOR |
| C1 | SOLENOID COIL (UTILITY CLOSING) |
| C2 | SOLENOID COIL (STANDBY CLOSING) |
| LC | SMART AC MODULE |
| NB | NEUTRAL BLOCK |
| UCB | UTILITY CIRCUIT BREAKER |
| VR1,VR2 | VARIATOR |
| Wh | WATT HOUR METER JAWS |
| XA1,XB1 | LIMIT SWITCHES, ACTUATOR |



| COLOR CHART | |
|-------------|--------------|
| WIRE | WIRE COLOR |
| 00 | BLACK/WHITE |
| 126 | ORANGE |
| 205 | VIOLET |
| A | BLACK |
| B | GRAY |
| E1A | BROWN |
| E2A | BROWN/WHITE |
| N1A | YELLOW |
| N2A | YELLOW/BLACK |
| T1A | BLUE |

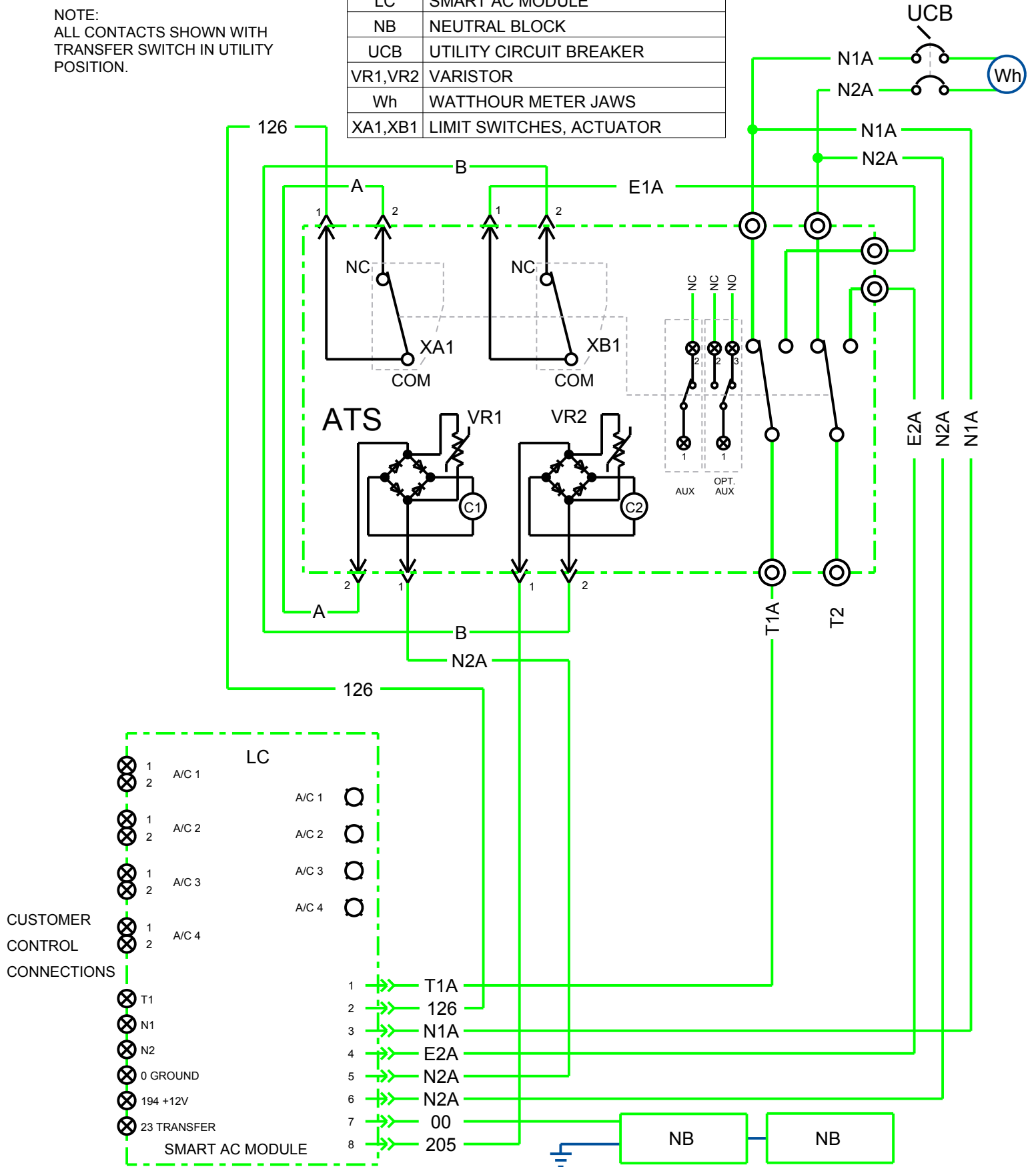
DRAWING CREATED FROM PROENGINEER
3D FILE. ECO MODIFICATION TO BE
APPLIED TO SOLID MODEL ONLY.

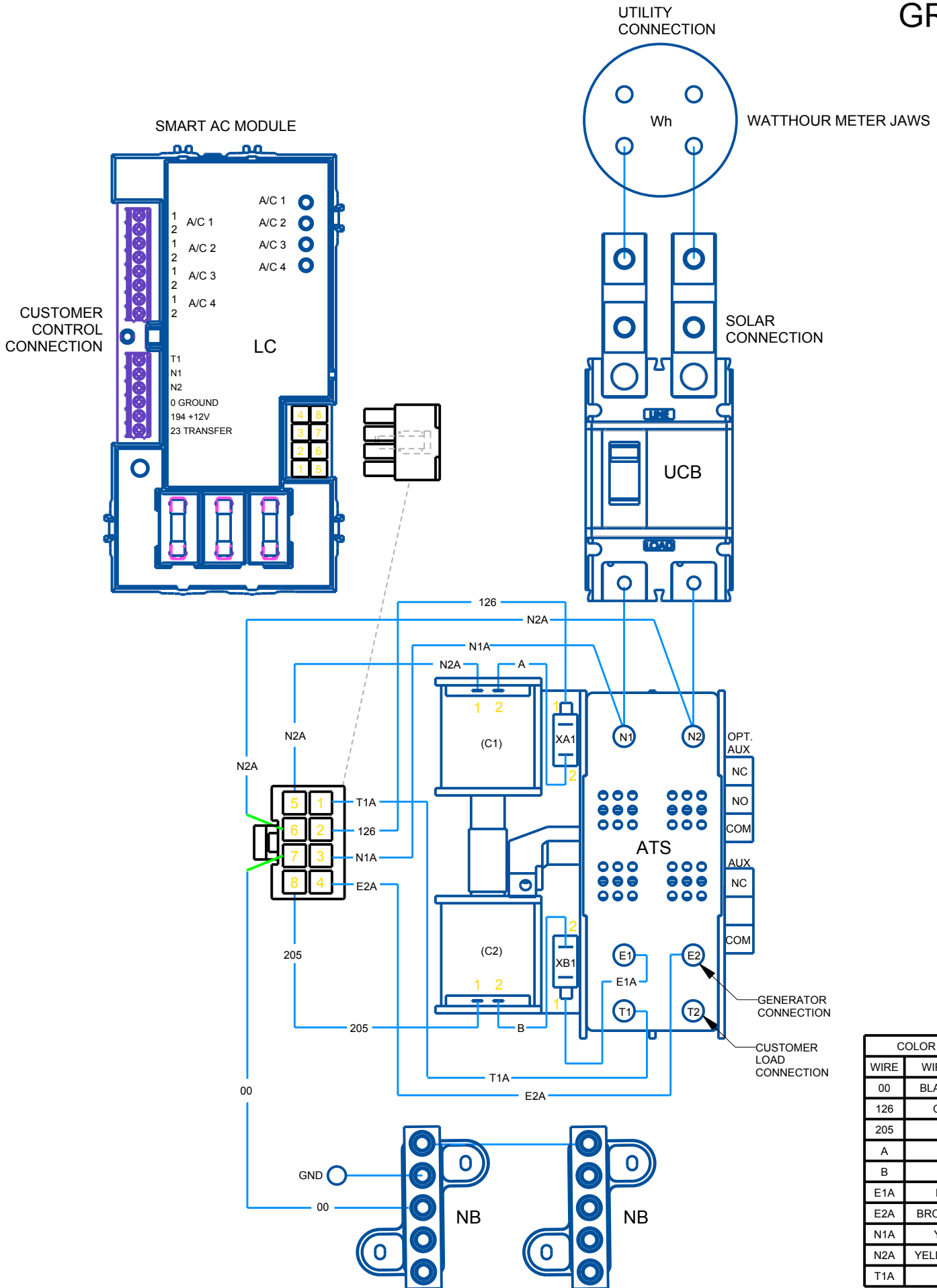
| | | | | | |
|---|--|------------------------|--|-------------------------------------|--|
| GENERAL TOLERANCES UNLESS NOTED | | THIRD ANGLE PROJECTION | | GENERAC | |
| INTERPRET DIM AND TOL PER ASME Y14.5M-2018 | | | | TITLE SD/WD 150/200A SE METER MAIN | |
| GENERAC POWER SYSTEMS OWNS THE COPYRIGHT OF THIS DRAWING WHICH IS SUPPLIED IN CONFIDENCE AND MUST NOT BE USED FOR ANY PURPOSE OTHER THAN FOR WHICH IT IS SUPPLIED WITHOUT THE EXPRESS WRITTEN CONSENT OF GENERAC POWER SYSTEMS © 2019 GENERAC POWER SYSTEMS | | | | MATERIAL SEE ABOVE | |
| APPROVALS | | DATE | | GENERAC MATL SPECIFICATION AS ABOVE | |
| DRAWN BY: JMB | | 05/17/2019 | | PAINT SURFACE FINISH AS ABOVE | |
| ALL APPROVALS ELECTRONICALLY STORED INSIDE WINDCHILL | | | | SIZE D | |
| LIFECYCLE STATE: Production Released (17) | | | | CAGE NO N/A | |
| FIRST USE: 2019 | | | | DWG NO A0000258230 | |
| | | | | REV A | |
| | | | | SCALE 0.250 | |
| | | | | WT-KG 0.00 | |
| | | | | SHEET 1 of 3 | |

GROUP G

| LEGEND | |
|---------|---------------------------------|
| ATS | TRANSFER SWITCH CONTACTOR |
| C1 | SOLENOID COIL (UTILITY CLOSING) |
| C2 | SOLENOID COIL (STANDBY CLOSING) |
| LC | SMART AC MODULE |
| NB | NEUTRAL BLOCK |
| UCB | UTILITY CIRCUIT BREAKER |
| VR1,VR2 | VARISTOR |
| Wh | WATTHOUR METER JAWS |
| XA1,XB1 | LIMIT SWITCHES, ACTUATOR |

NOTE:
ALL CONTACTS SHOWN WITH
TRANSFER SWITCH IN UTILITY
POSITION.





| COLOR CHART | |
|-------------|--------------|
| WIRE | WIRE COLOR |
| 00 | BLACK/WHITE |
| 126 | ORANGE |
| 205 | VIOLET |
| A | BLACK |
| B | GRAY |
| E1A | BROWN |
| E2A | BROWN/WHITE |
| N1A | YELLOW |
| N2A | YELLOW/BLACK |
| T1A | BLUE |

WIRING - DIAGRAM
METER TRANSFER SWITCH
DRAWING A0000258230