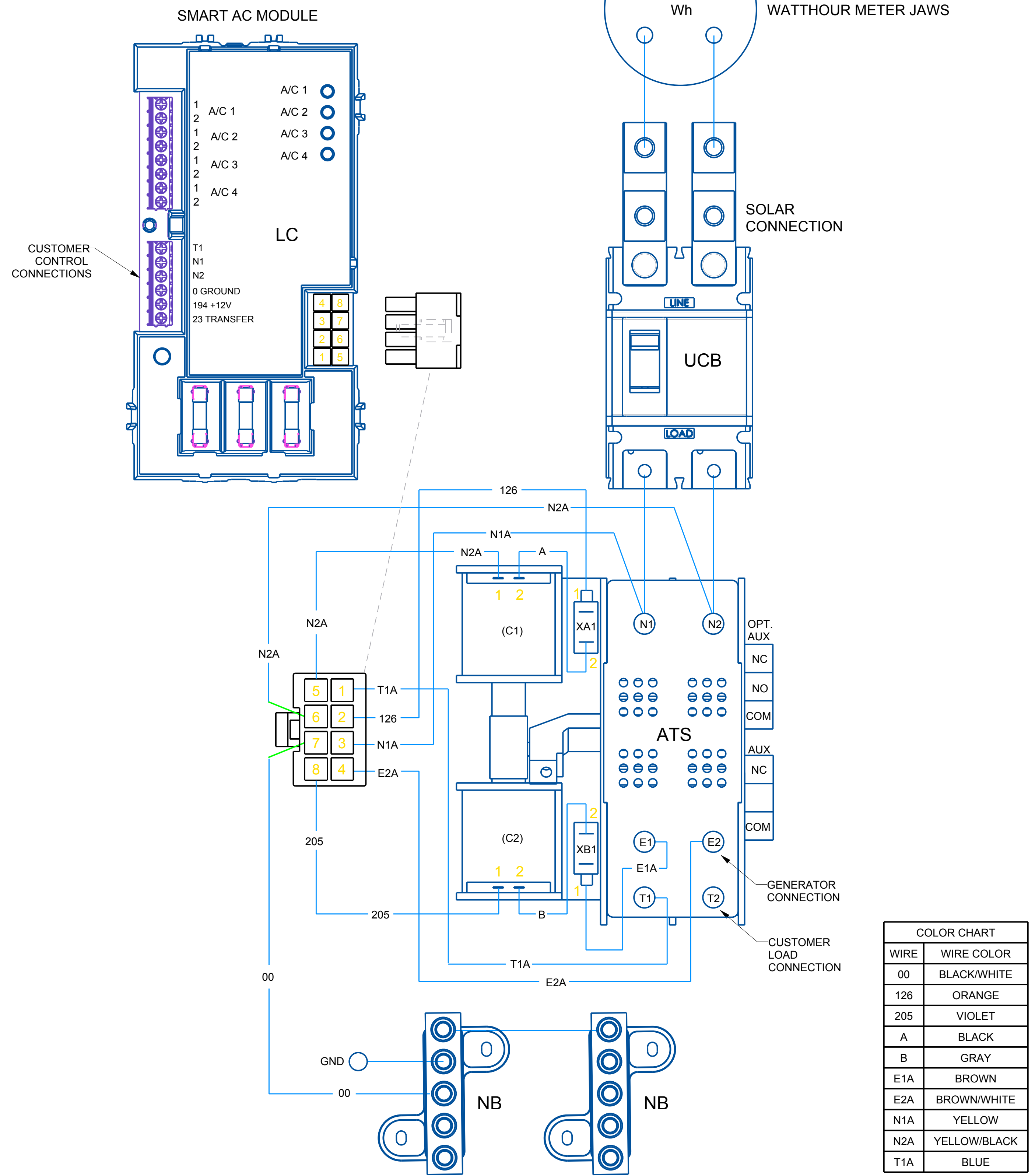
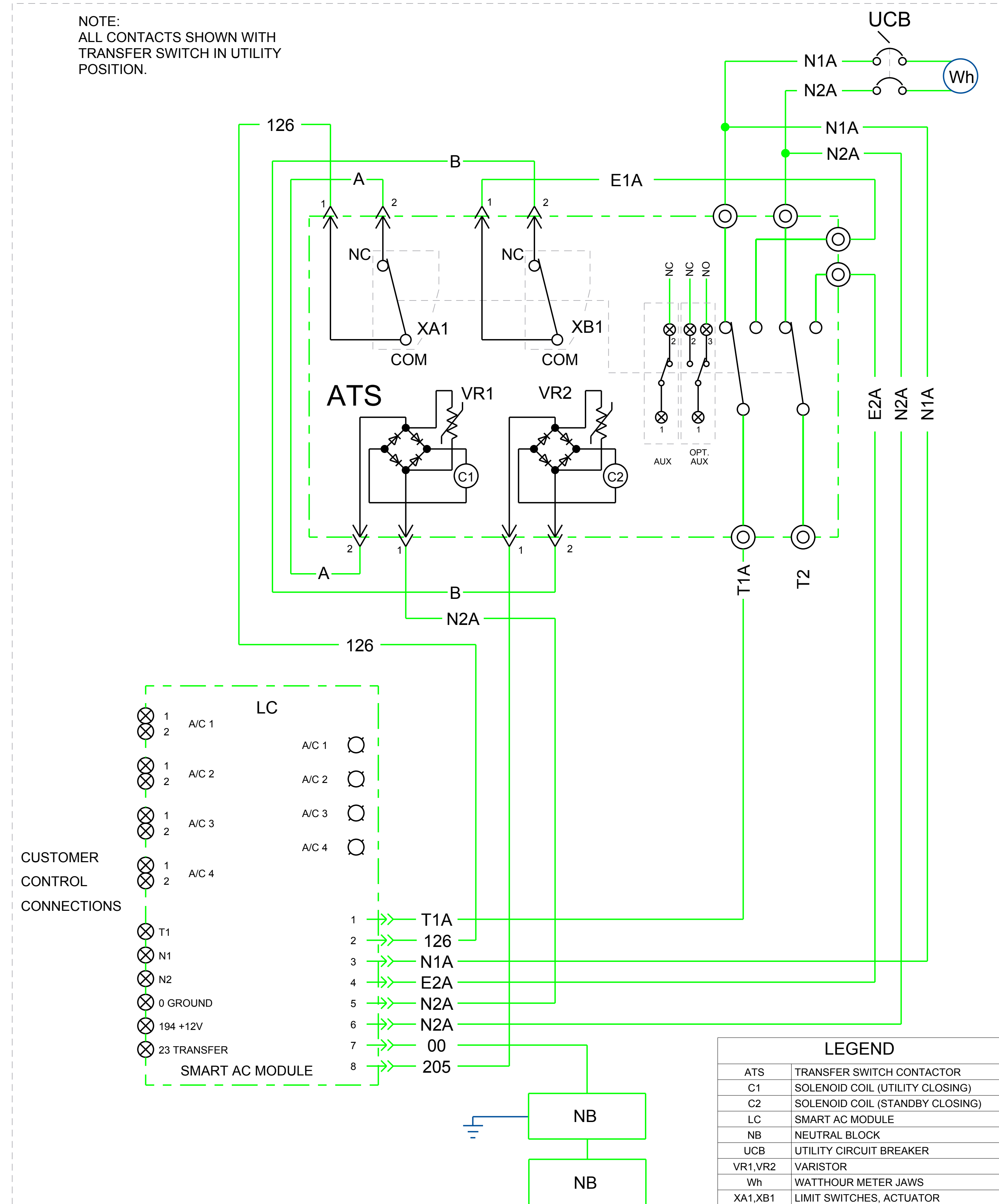


NOTE:
ALL CONTACTS SHOWN WITH
TRANSFER SWITCH IN UTILITY
POSITION.



COLOR CHART	
WIRE	WIRE COLOR
00	BLACK/WHITE
126	ORANGE
205	VIOLET
A	BLACK
B	GRAY
E1A	BROWN
E2A	BROWN/WHITE
N1A	YELLOW
N2A	YELLOW/BLACK
T1A	BLUE

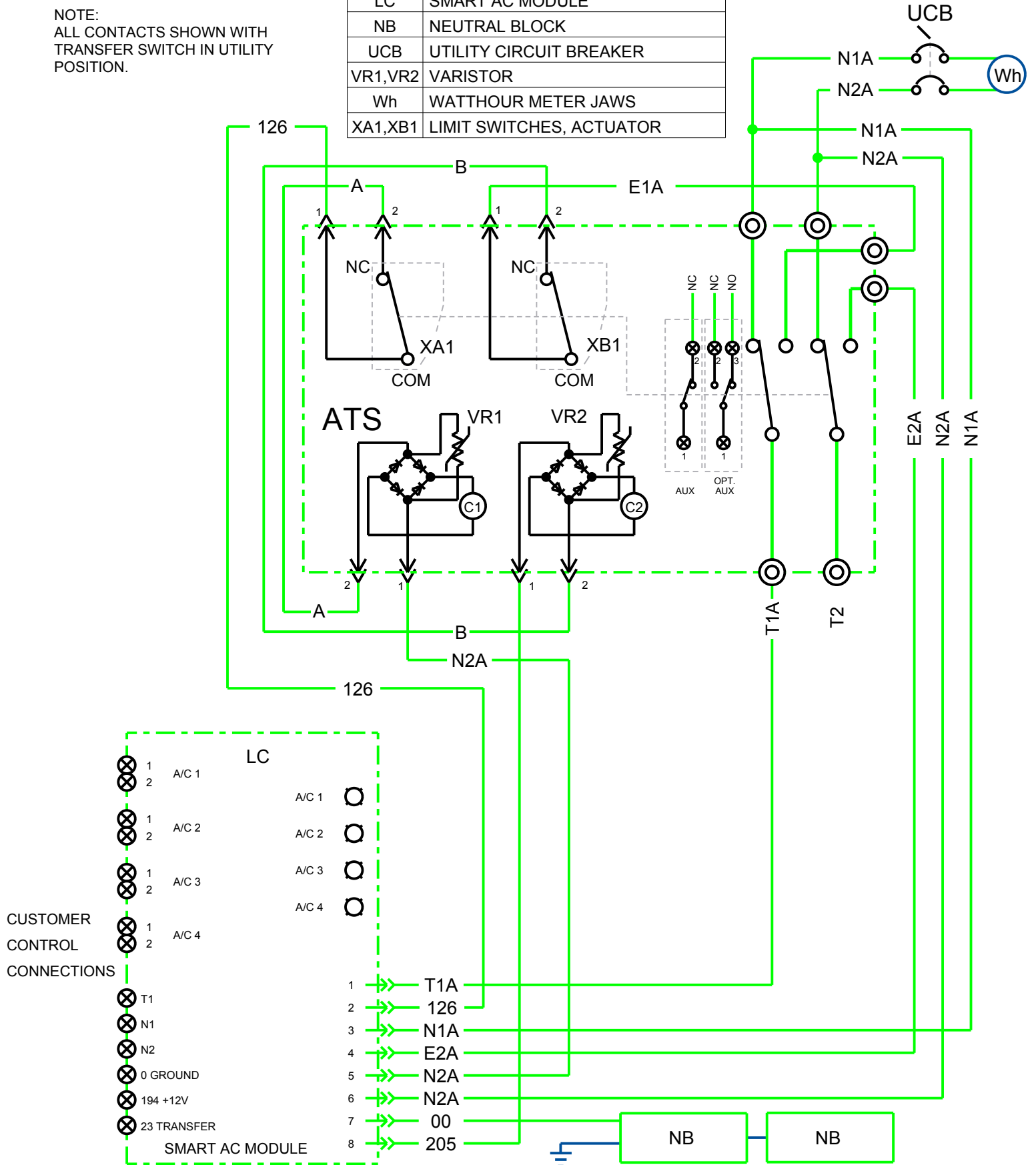
DRAWING CREATED FROM PROENGINEER
3D FILE. ECO MODIFICATION TO BE
APPLIED TO SOLID MODEL ONLY.

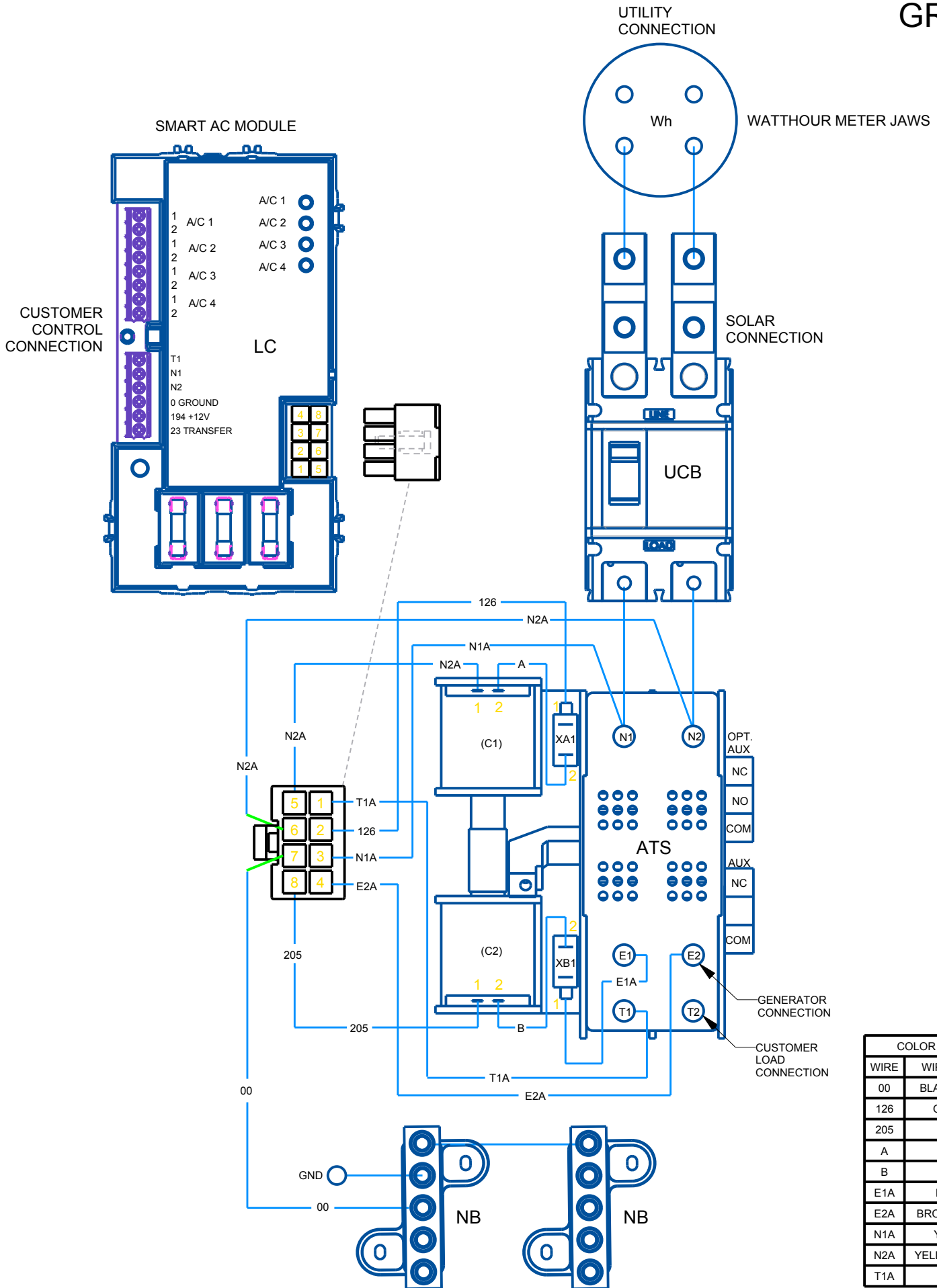
GENERAL TOLERANCES UNLESS NOTED		THIRD ANGLE PROJECTION		GENERAC	
INTERPRET DIM AND TOL PER ASME Y14.5M-2018				TITLE	
GENERAC POWER SYSTEMS OWNS THE COPYRIGHT OF THIS DRAWING WHICH IS SUPPLIED IN CONFIDENCE AND MUST NOT BE USED FOR ANY PURPOSE OTHER THAN FOR WHICH IT IS SUPPLIED WITHOUT THE EXPRESS WRITTEN CONSENT OF GENERAC POWER SYSTEMS				SD/WD 150/200A SE METER MAIN	
APPROVALS		DATE		MATERIAL	
DRAWN BY: JMB		05/17/2019		SEE ABOVE	
ALL APPROVALS ELECTRONICALLY STORED INSIDE WINDCHILL				GENERAC MATL SPECIFICATION AS ABOVE	
LIFECYCLE STATE: Production Released (17)				PAINT SURFACE FINISH AS ABOVE	
FIRST USE: 2019		SCALE: 0.250		WT-KG: 0.00	
CAGE NO: N/A		DWG NO: A0000258230		REV: A	
				SHEET 1 of 3	

GROUP G

LEGEND	
ATS	TRANSFER SWITCH CONTACTOR
C1	SOLENOID COIL (UTILITY CLOSING)
C2	SOLENOID COIL (STANDBY CLOSING)
LC	SMART AC MODULE
NB	NEUTRAL BLOCK
UCB	UTILITY CIRCUIT BREAKER
VR1,VR2	VARISTOR
Wh	WATTHOUR METER JAWS
XA1,XB1	LIMIT SWITCHES, ACTUATOR

NOTE:
ALL CONTACTS SHOWN WITH
TRANSFER SWITCH IN UTILITY
POSITION.





COLOR CHART	
WIRE	WIRE COLOR
00	BLACK/WHITE
126	ORANGE
205	VIOLET
A	BLACK
B	GRAY
E1A	BROWN
E2A	BROWN/WHITE
N1A	YELLOW
N2A	YELLOW/BLACK
T1A	BLUE

WIRING - DIAGRAM
METER TRANSFER SWITCH
DRAWING A0000258230